



US00D881589S

(12) **United States Design Patent**
Kurzok et al.

(10) **Patent No.:** **US D881,589 S**
(45) **Date of Patent:** **** Apr. 21, 2020**

(54) **COAT HANGER**

(71) Applicant: **Kode Australia Pty Ltd**, Mount
Ommaney, QLD (AU)

(72) Inventors: **Robert John Kurzok**, Figtree Pocket
(AU); **Robert William Viner**,
Brookfield (AU); **Stephen Paul Taylor**,
Boronia Heights (AU)

(73) Assignee: **KODE AUSTRALIA PTY LTD**,
Mount Ommaney QLD (AU)

(**) Term: **15 Years**

(21) Appl. No.: **29/591,088**

(22) Filed: **Jan. 17, 2017**

(30) **Foreign Application Priority Data**

Jul. 14, 2016 (AU) 201613767

(51) **LOC (12) Cl.** **06-08**

(52) **U.S. Cl.**
USPC **D6/318**

(58) **Field of Classification Search**
USPC D6/315-328
CPC A47G 25/28; A47G 25/743; A47G 25/26;
A47G 25/4023; A47G 25/20; A47G
25/442; A47G 25/30; A47G 25/36; A47G
25/24; A47G 25/14; A47G 25/18; A47G
25/40; A47G 25/403; A47G 25/52; A47G
25/34; A47G 25/44

See application file for complete search history.

(56) **References Cited**

U.S. PATENT DOCUMENTS

2,440,637 A * 4/1948 Lowe A47G 25/4023
223/94
2,586,913 A * 2/1952 Burns A47G 25/4023
223/88

2,724,533 A * 11/1955 Hansen A47G 25/4053
223/94
D202,484 S * 10/1965 Helms, Jr. 223/94
3,874,572 A * 4/1975 McClenning A47G 25/4053
223/94
4,717,053 A * 1/1988 Wang A47G 25/4053
211/118
D322,175 S * 12/1991 Chen D6/318
D496,165 S * 9/2004 Yaourtis D6/318

(Continued)

Primary Examiner — Lauren R Calve

(74) *Attorney, Agent, or Firm* — Brinks Gilson & Lione;
John C. Freeman

(57) **CLAIM**

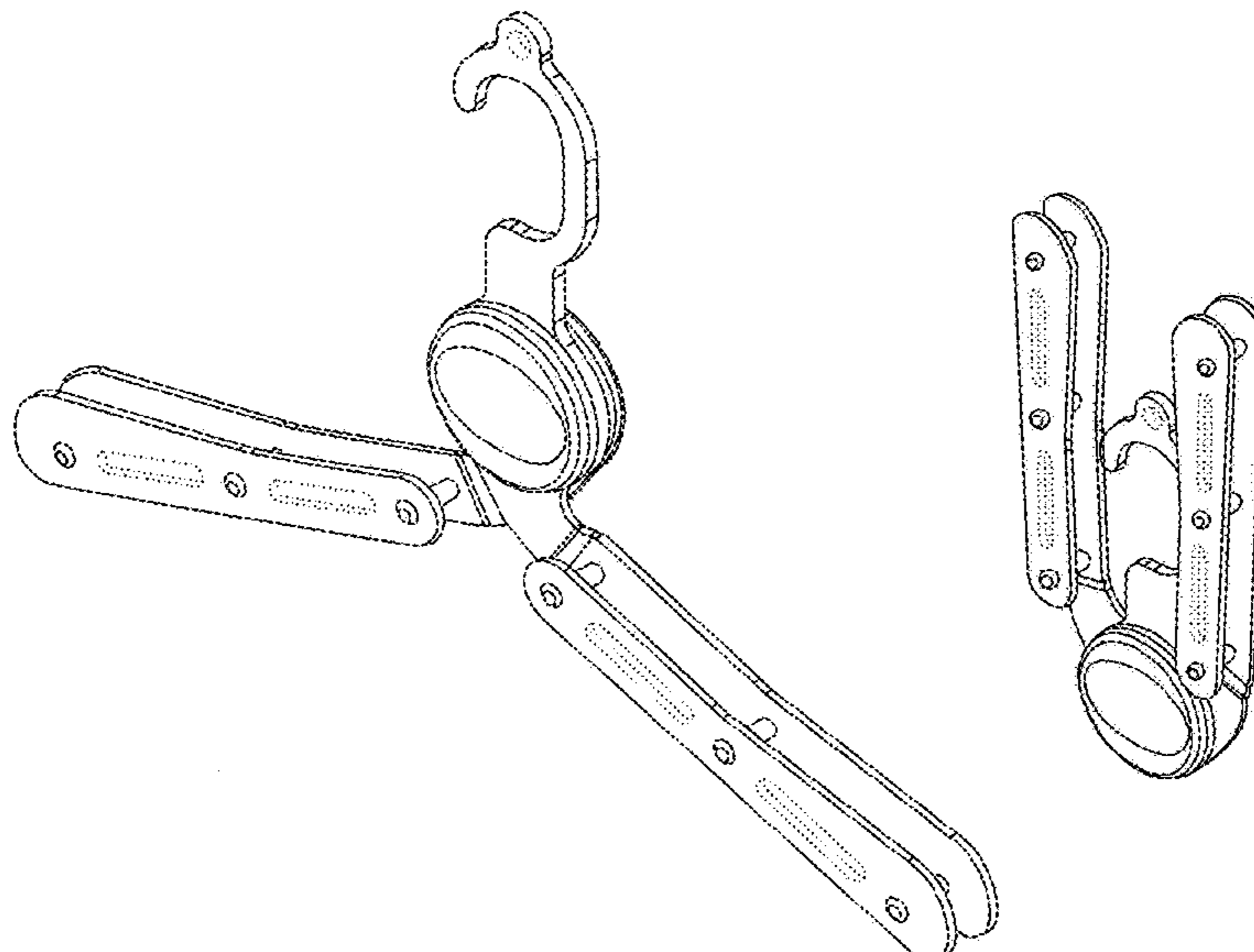
The ornamental design for a coat hanger, as shown and
described.

DESCRIPTION

FIG. 1. is a top right perspective view of a coat hanger
according to the present invention;
FIG. 2 is a top left perspective view of the coat hanger of
FIG. 1;
FIG. 3 is a front view of the coat hanger of FIG. 1;
FIG. 4 is a rear view of the coat hanger of FIG. 1;
FIG. 5 is a left side view of the coat hanger of FIG. 1;
FIG. 6 is a right side of the coat hanger of FIG. 1;
FIG. 7 is a top view of the coat hanger of FIG. 1;
FIG. 8 is a bottom view of the coat hanger of FIG. 1;
FIG. 9 is a top right perspective view of the coat hanger of
FIG. 1 shown in a partially folded position;
FIG. 10 is a top right perspective view of the coat hanger of
FIG. 1 shown in a fully folded position;
FIG. 11 is a front view of the coat hanger of FIG. 1 shown
in a partially folded position; and,
FIG. 12 is a front view of the coat hanger of FIG. 1 shown
in a fully folded position.

The broken lines shown form no part of the claimed design.

1 Claim, 10 Drawing Sheets



(56)

References Cited

U.S. PATENT DOCUMENTS

7,036,696 B2 * 5/2006 Lam A47G 25/4023
223/94
D541,537 S * 5/2007 Cresap D6/318
D631,672 S * 2/2011 Kaleta D6/318
9,179,791 B2 * 11/2015 Aspera A47G 25/40
D796,852 S * 9/2017 Iliev D6/318
2006/0226179 A1 * 10/2006 Hsu A47G 25/0685
223/85
2009/0127298 A1 * 5/2009 Sprovieri A47G 25/4023
223/94
2017/0055748 A1 * 3/2017 Jeong A47G 25/4023

* cited by examiner

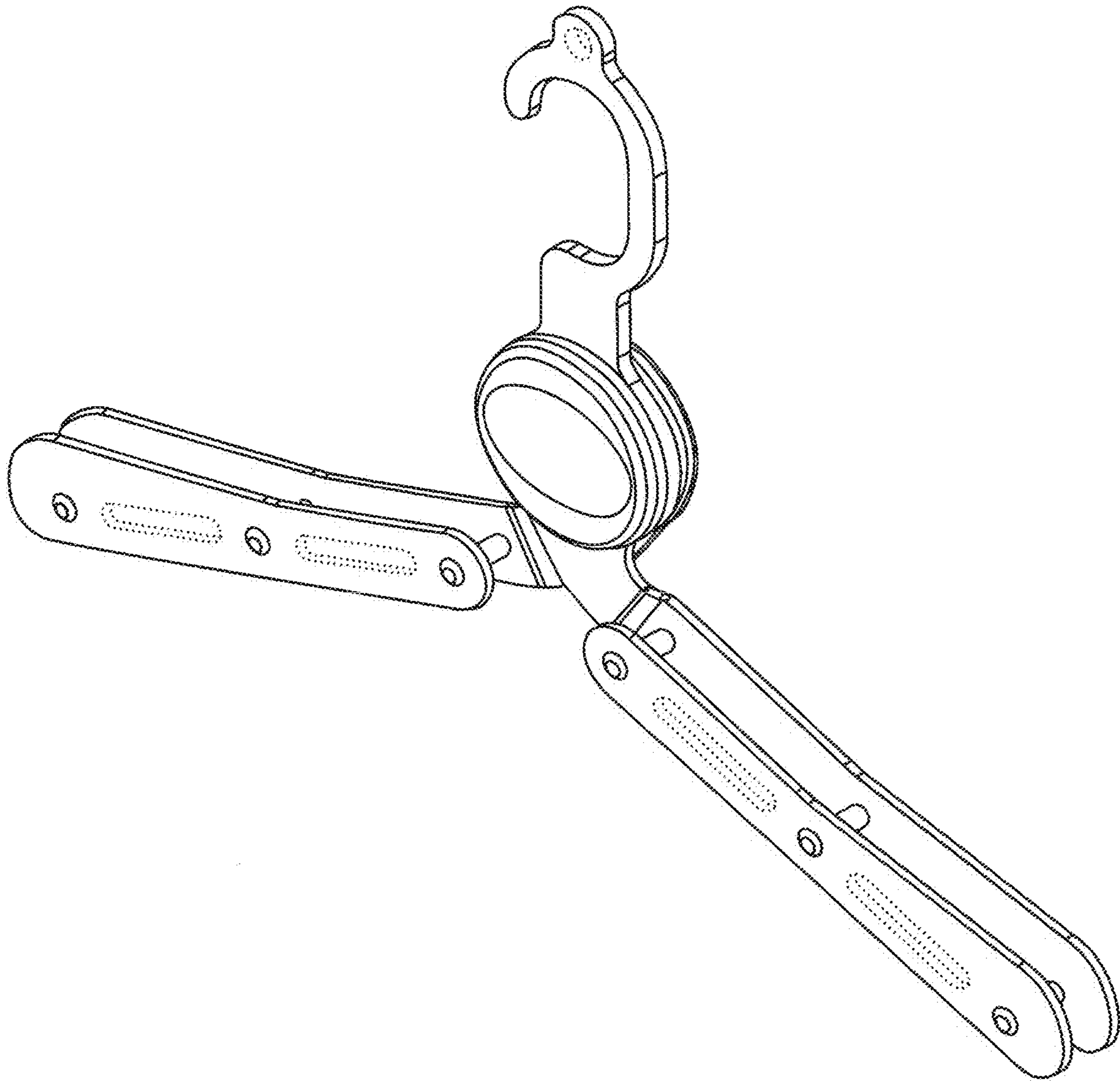


FIGURE 1

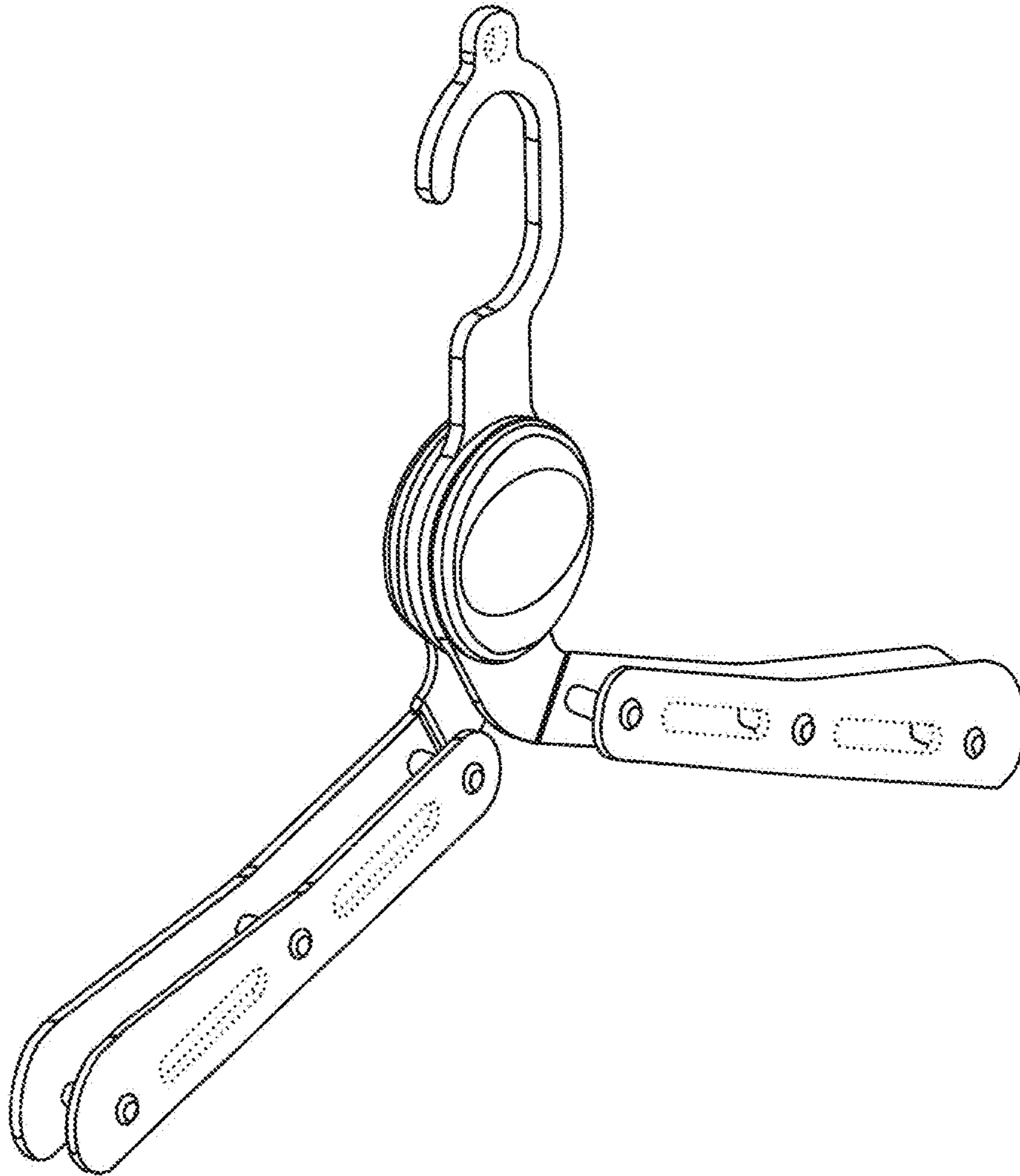


FIGURE 2

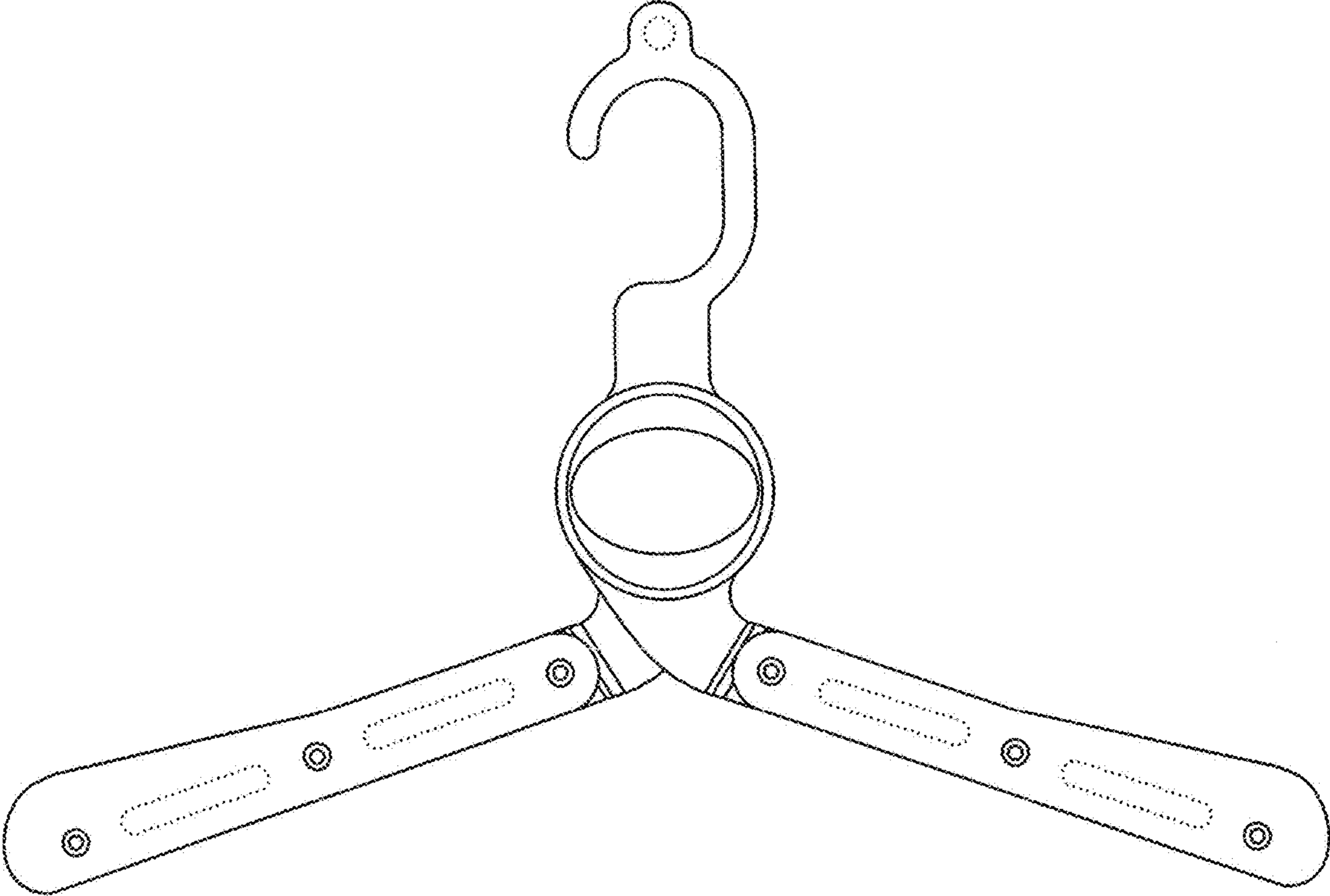


FIGURE 3

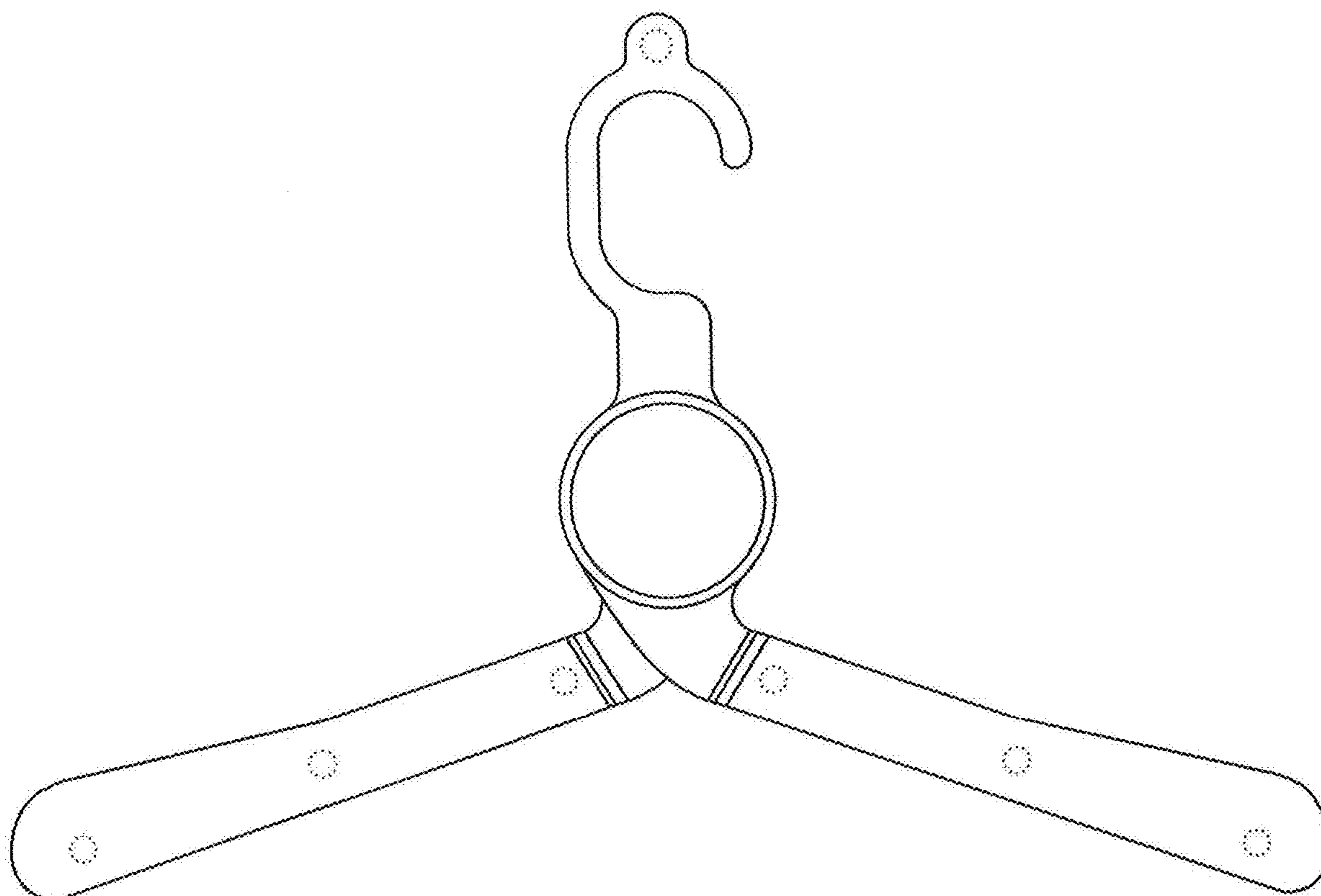


FIGURE 4

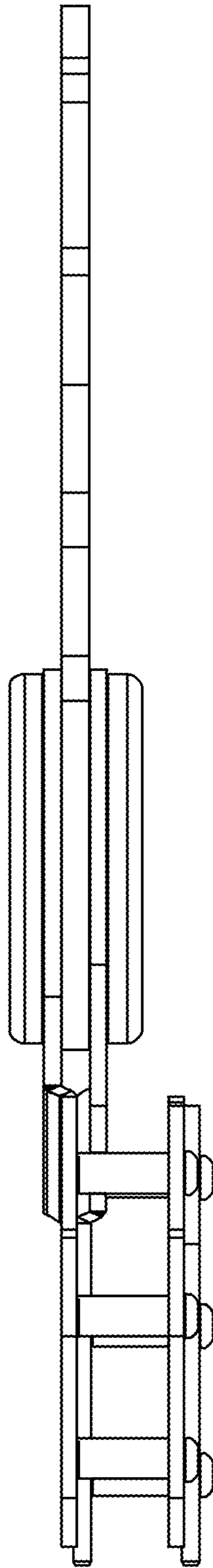


FIGURE 5.

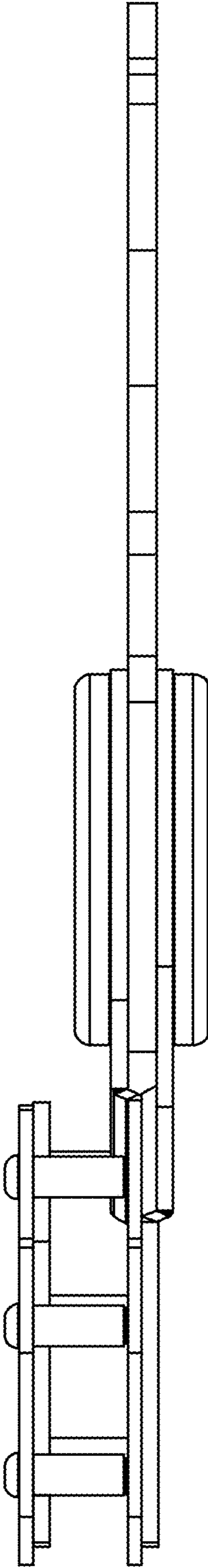


FIGURE 6.

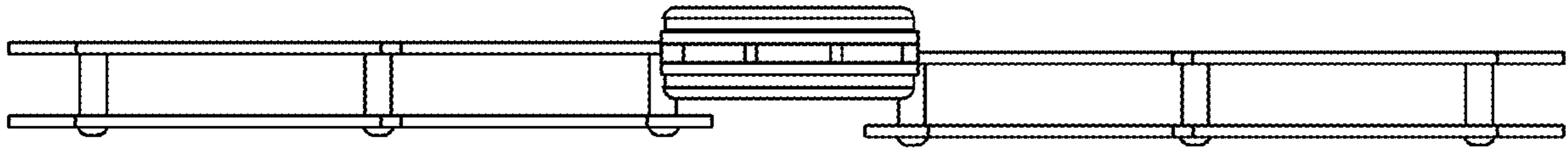


FIGURE 7.

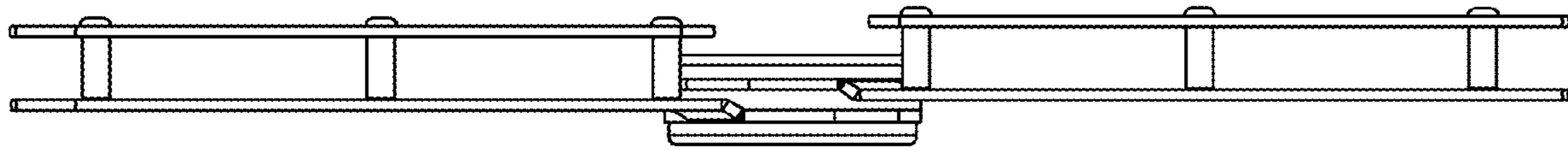


FIGURE 8.

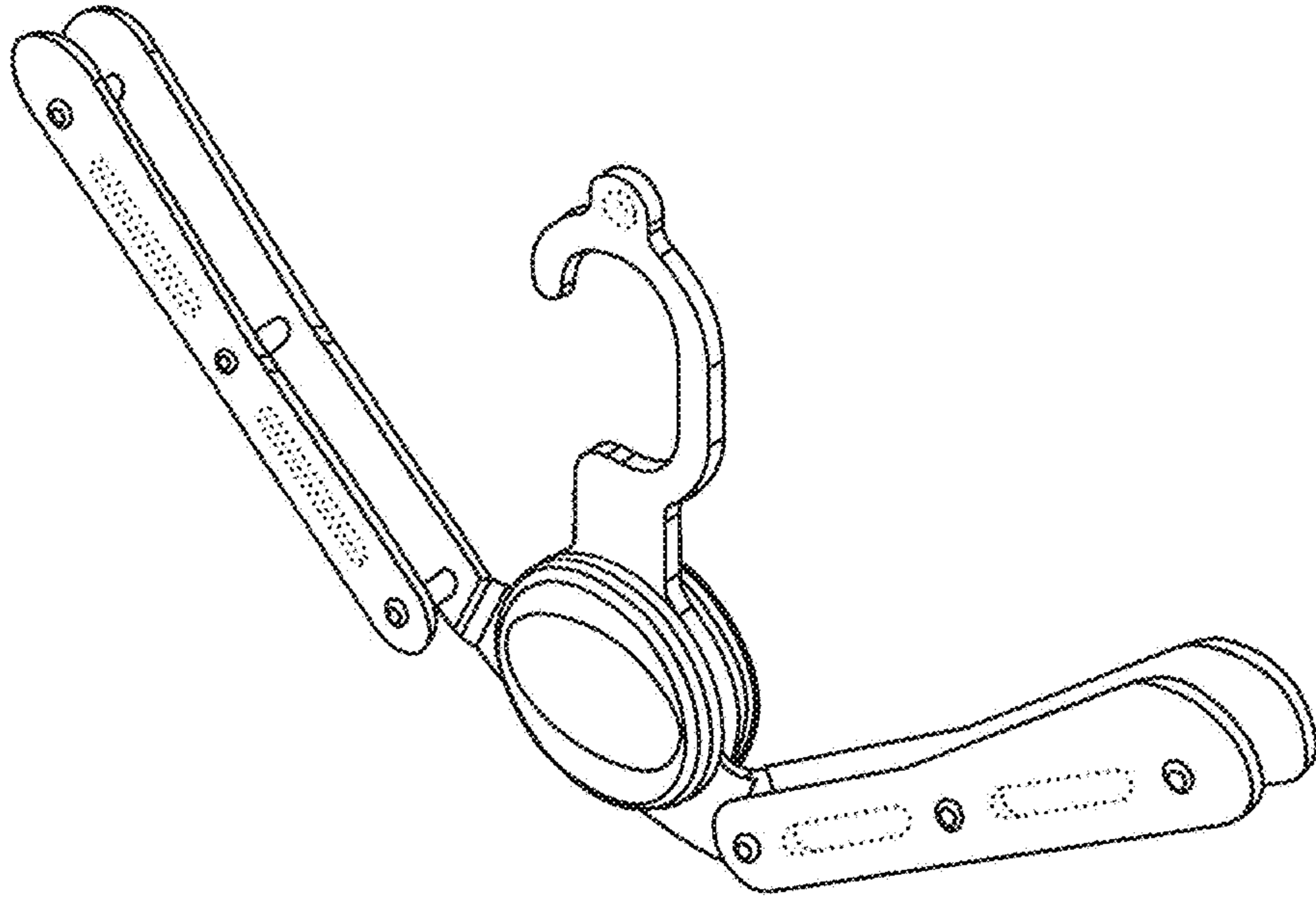


FIGURE 9

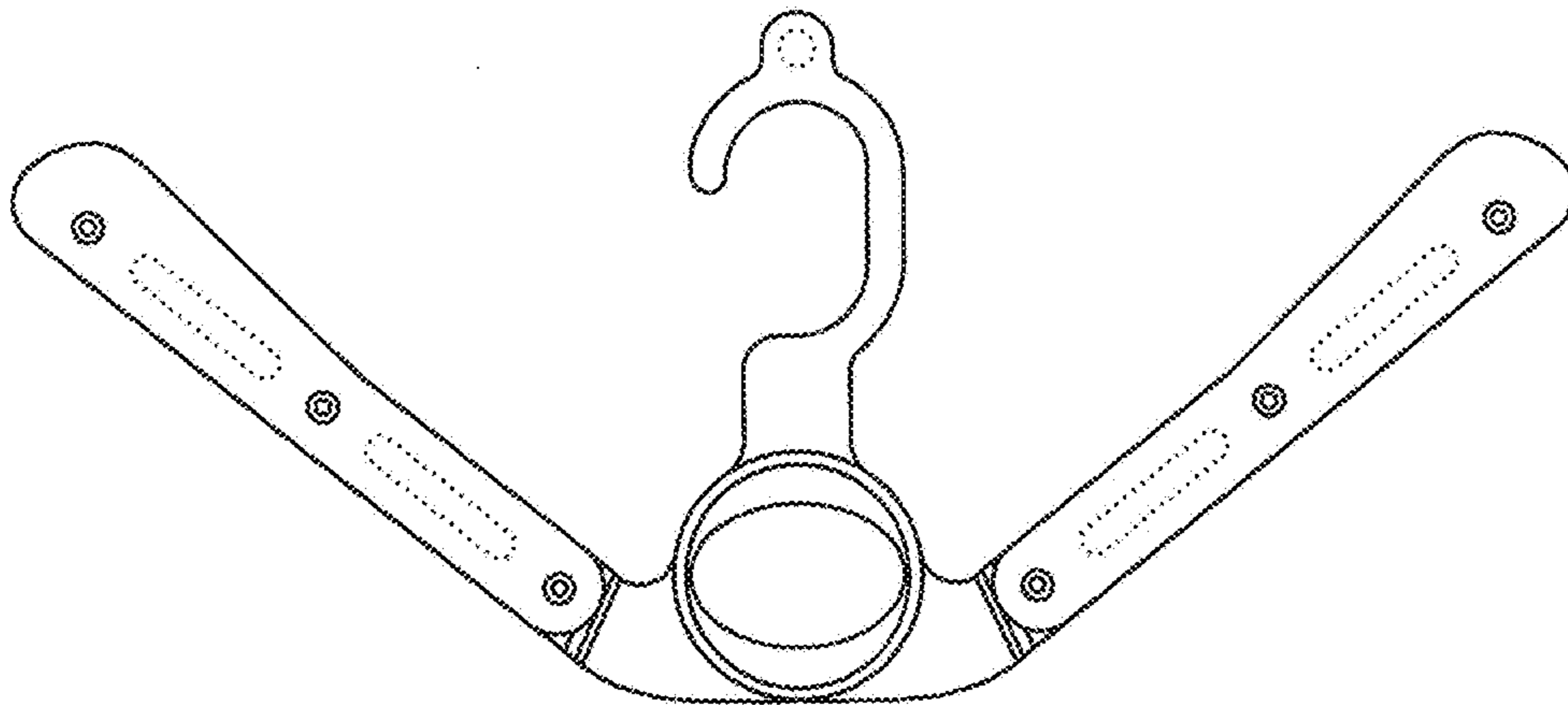


FIGURE 11

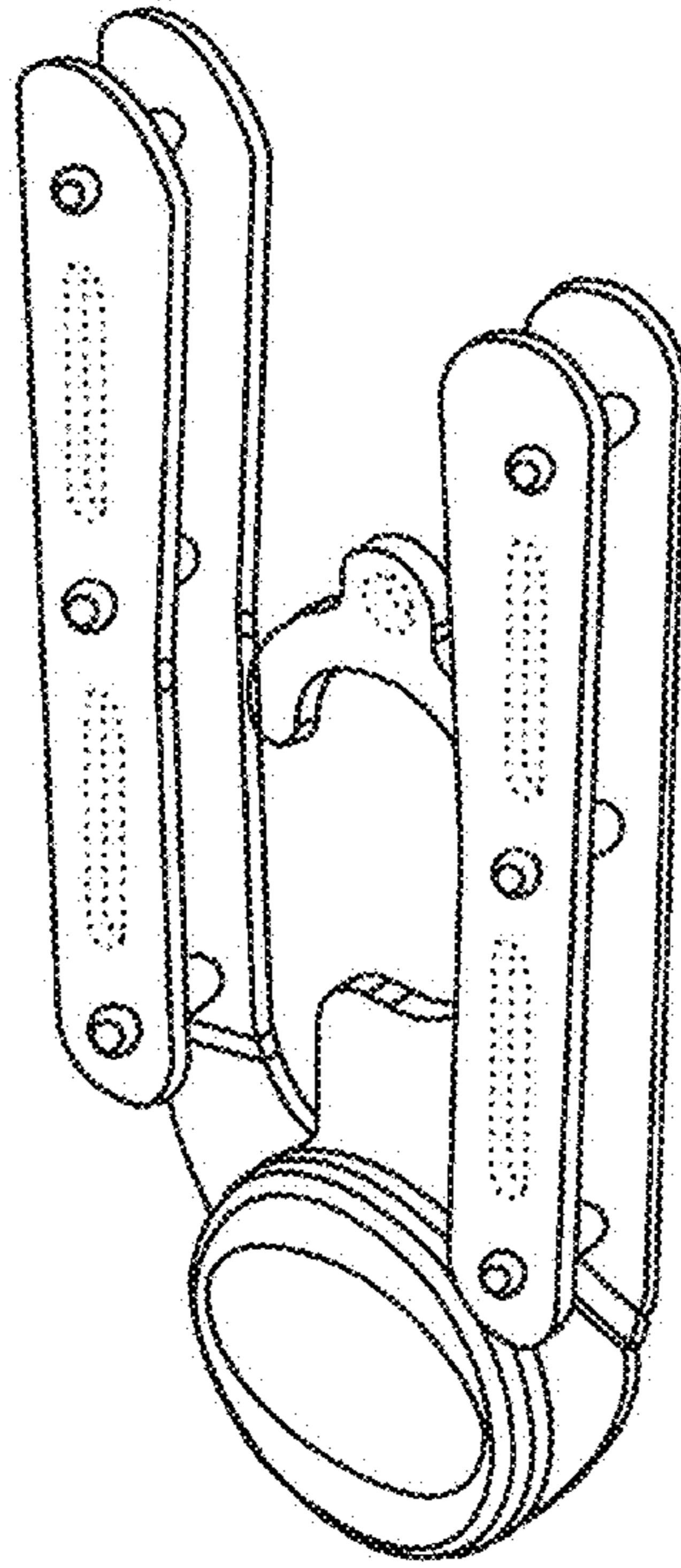


FIGURE 10

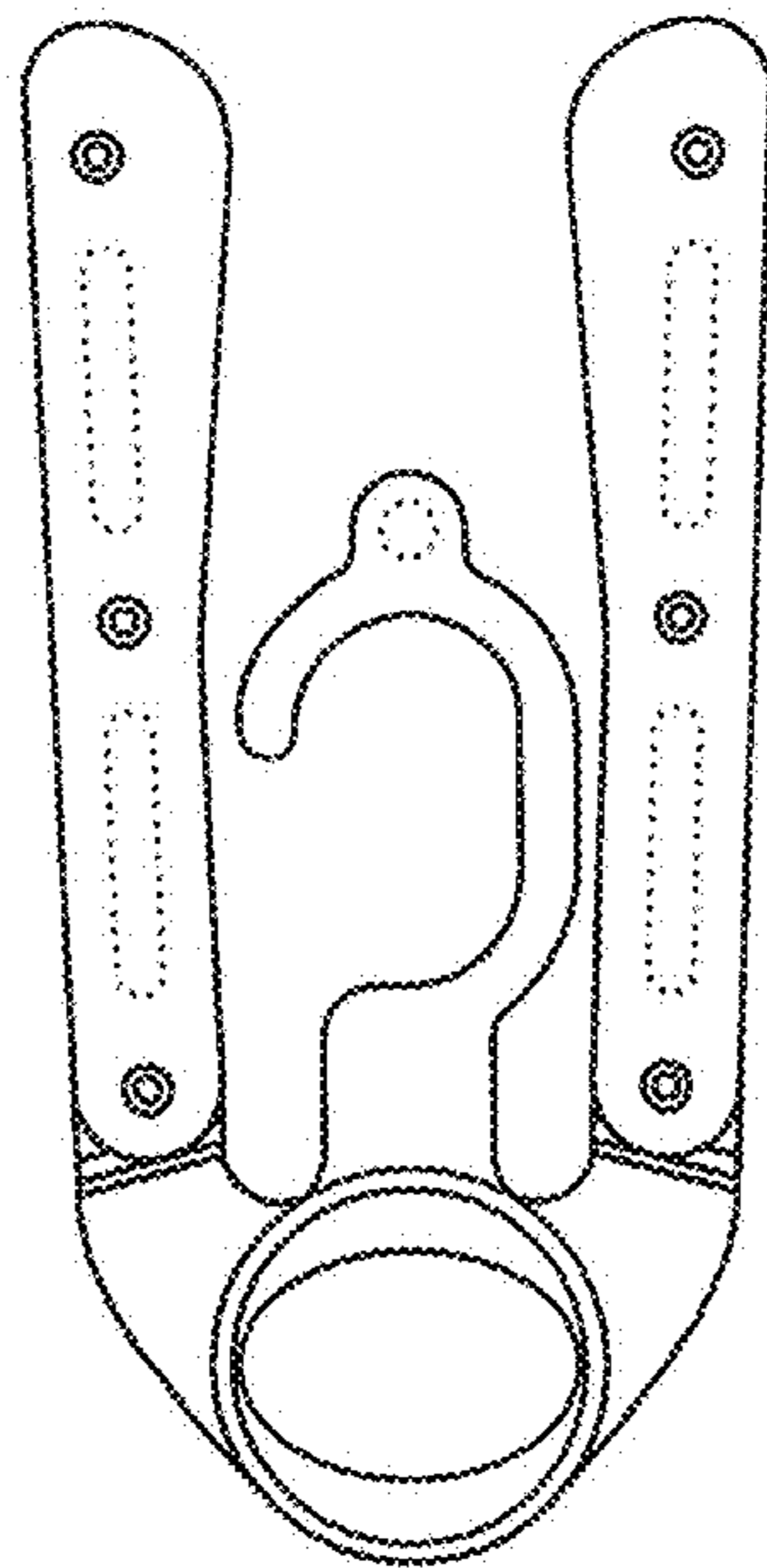


FIGURE 12