



US00D881588S

(12) **United States Design Patent** (10) **Patent No.:** **US D881,588 S**
Zhu (45) **Date of Patent:** **** Apr. 21, 2020**

(54) **LED LIGHTING COSMETIC MIRROR**

(71) Applicant: **Shenzhen Smile Technology Co., Ltd,**
Shenzhen (CN)

(72) Inventor: **Han Zhu,** Shenzhen (CN)

(73) Assignee: **Shenzhen Smile Technology Co., Ltd,**
Shenzhen (CN)

(**) Term: **15 Years**

(21) Appl. No.: **29/659,779**

(22) Filed: **Aug. 13, 2018**

(51) **LOC (12) Cl.** **06-06**

(52) **U.S. Cl.**
USPC **D6/310**

(58) **Field of Classification Search**
USPC D6/300-314
CPC ... A47G 1/00; A47G 1/02; A47G 1/04; G02B
5/08

See application file for complete search history.

(56) **References Cited**

U.S. PATENT DOCUMENTS

D259,067 S *	4/1981	Kretschmer	D6/308
D298,087 S *	10/1988	Arce	D6/300
D330,807 S *	11/1992	Granzow	D6/301
D431,375 S *	10/2000	Zadro	D6/309
D462,181 S *	9/2002	Vandenbussche	D6/310
D543,707 S *	6/2007	Chan	D6/312
D552,360 S *	10/2007	Mischel, Jr.	D6/300
D559,557 S *	1/2008	Mischel, Jr.	D6/300
D559,558 S *	1/2008	Mischel, Jr.	D6/300
D599,120 S *	9/2009	Mischel, Jr.	D6/300

D743,704 S *	11/2015	Kaiser	D6/300
D749,329 S *	2/2016	Kaiser	D6/300
D785,345 S *	5/2017	Yang	D6/310
D812,384 S *	3/2018	Zhu	D6/311
D825,205 S *	8/2018	Liu	D6/310
D825,206 S *	8/2018	Liu	D6/310
D829,007 S *	9/2018	Choi	D6/310
D833,762 S *	11/2018	Liu	D6/310
D859,011 S *	9/2019	Liu	D6/310
D861,356 S *	10/2019	Zhu	D6/310
D865,374 S *	11/2019	Yang	D6/310

* cited by examiner

Primary Examiner — Deanna L Pratt

(74) *Attorney, Agent, or Firm* — Ladas & Parry LLP

(57) **CLAIM**

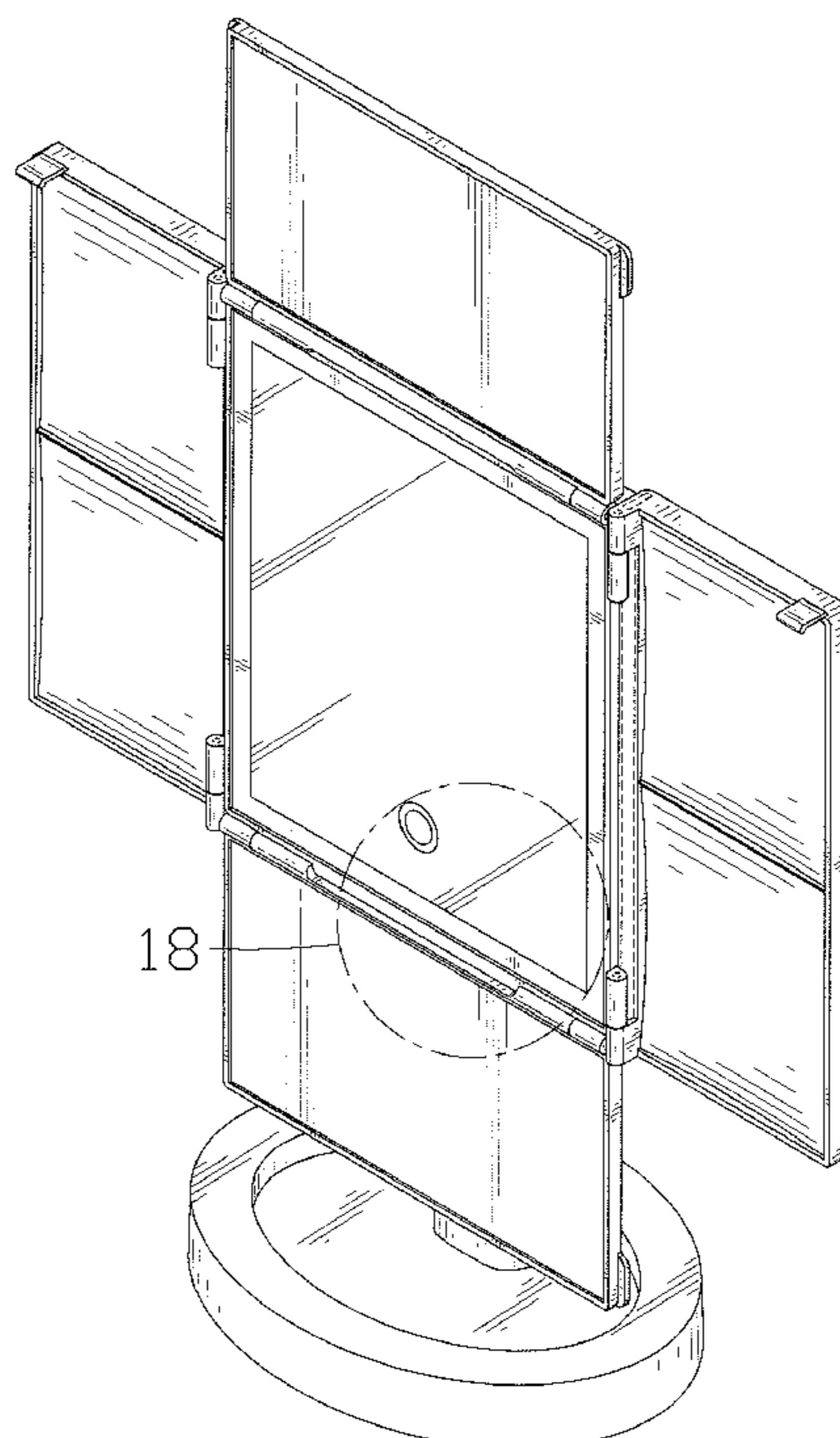
The ornamental design for an LED lighting cosmetic mirror, as shown and described.

DESCRIPTION

FIG. 1 is a front, top, right perspective view of an LED lighting cosmetic mirror showing my new design; FIG. 2 is a rear, top, left perspective view thereof; FIG. 3 is a front elevational view thereof; FIG. 4 is a rear elevational view thereof; FIG. 5 is a left-side elevational view thereof; FIG. 6 is a right-side elevational view thereof; FIG. 7 is a top plan view thereof; FIG. 8 is a bottom plan view thereof; and, FIG. 9 is an enlarged view of the circled portion "18" of FIG. 1.

The broken lines in the figures are included for the purpose of illustrating portions of the article which form no part of the claimed design.

1 Claim, 9 Drawing Sheets



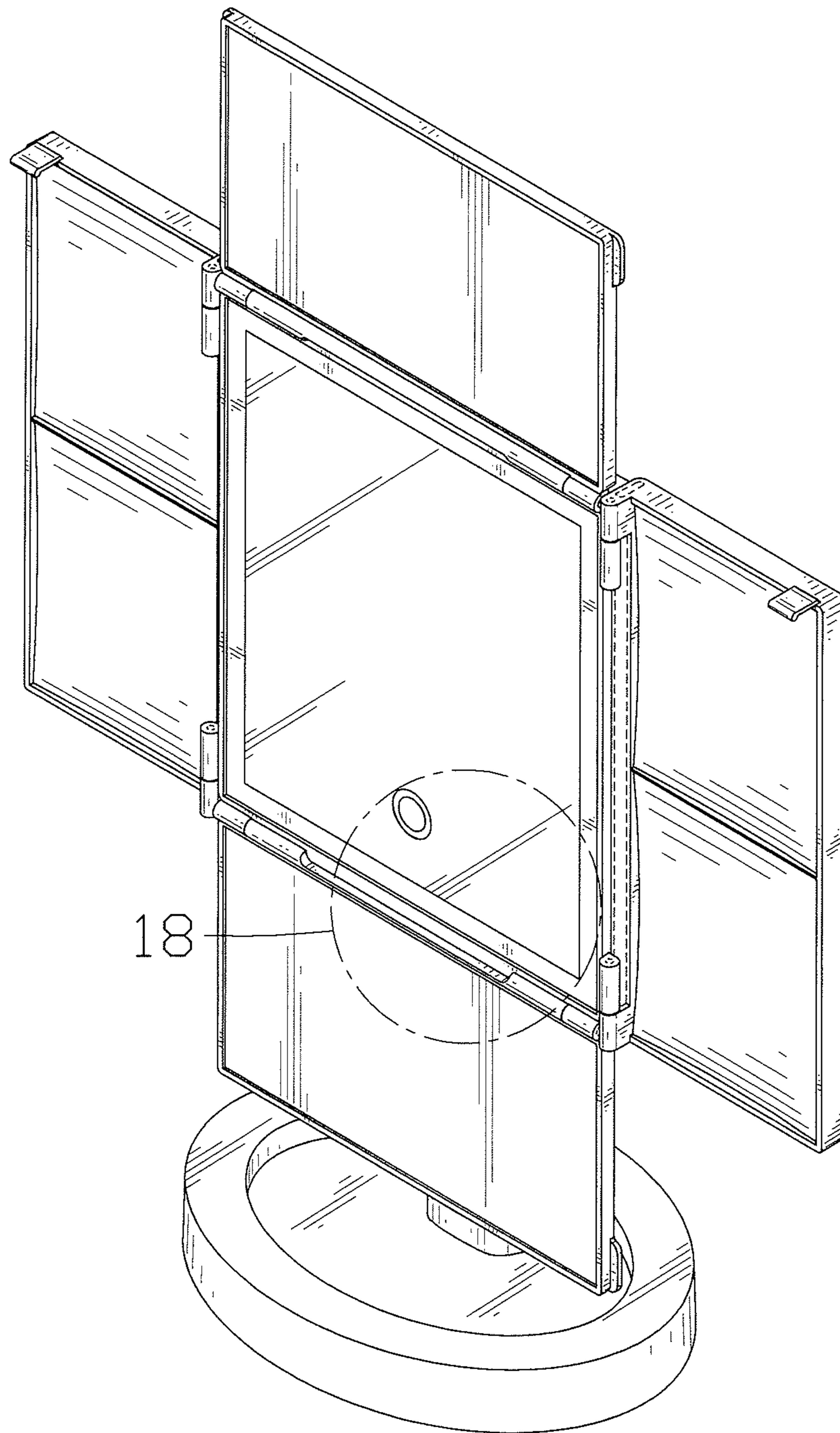


FIG. 1

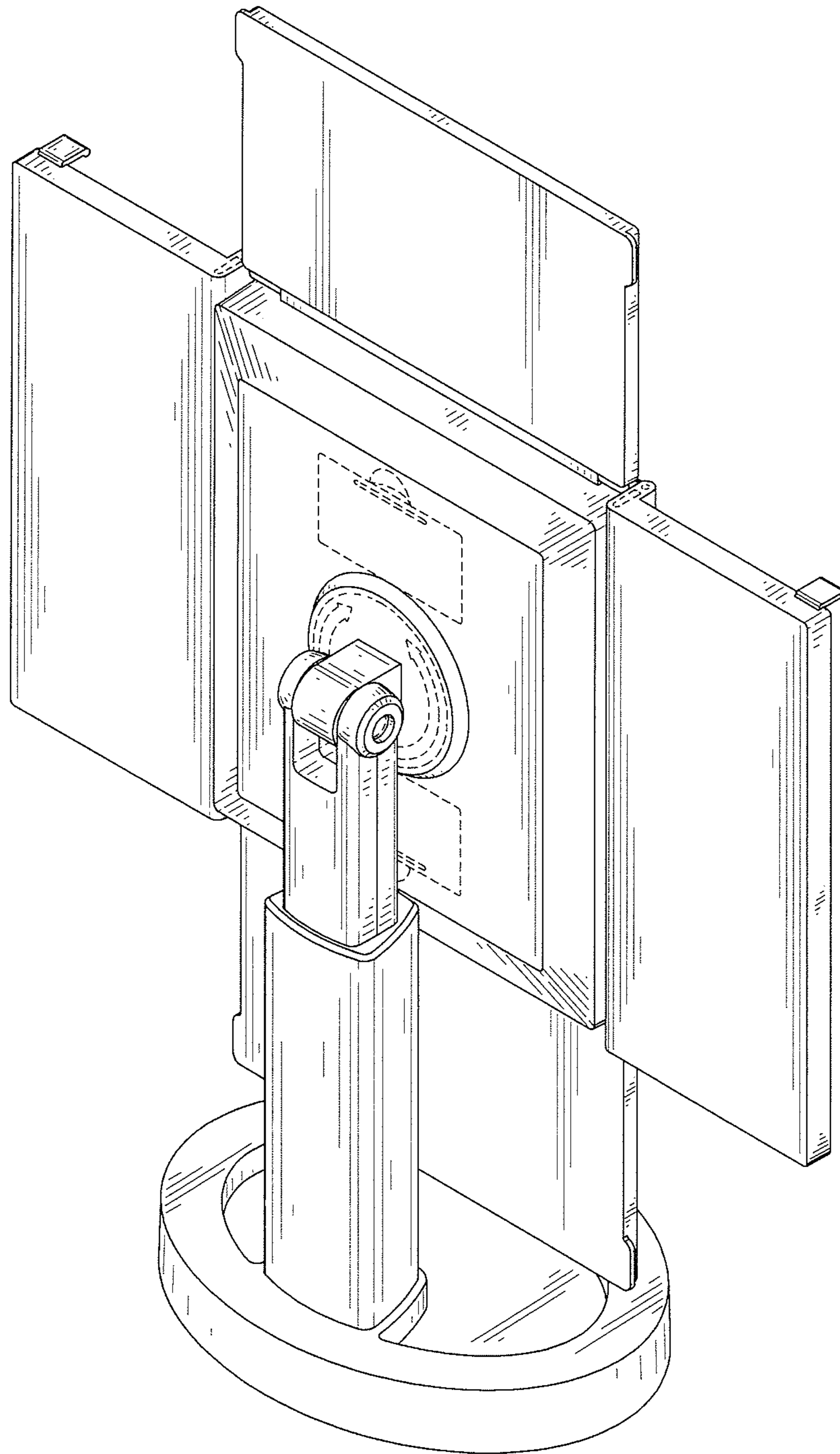


FIG. 2

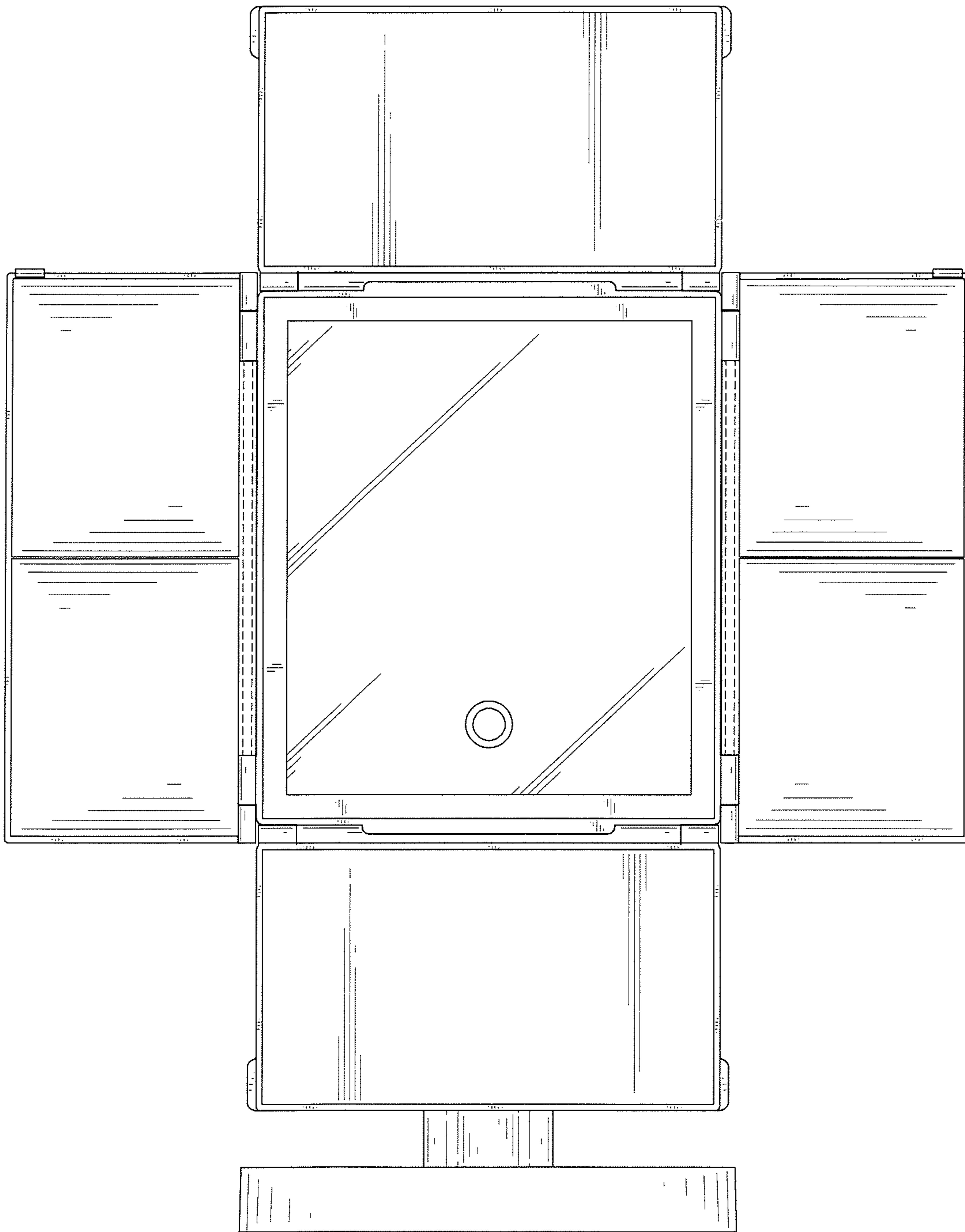


FIG. 3

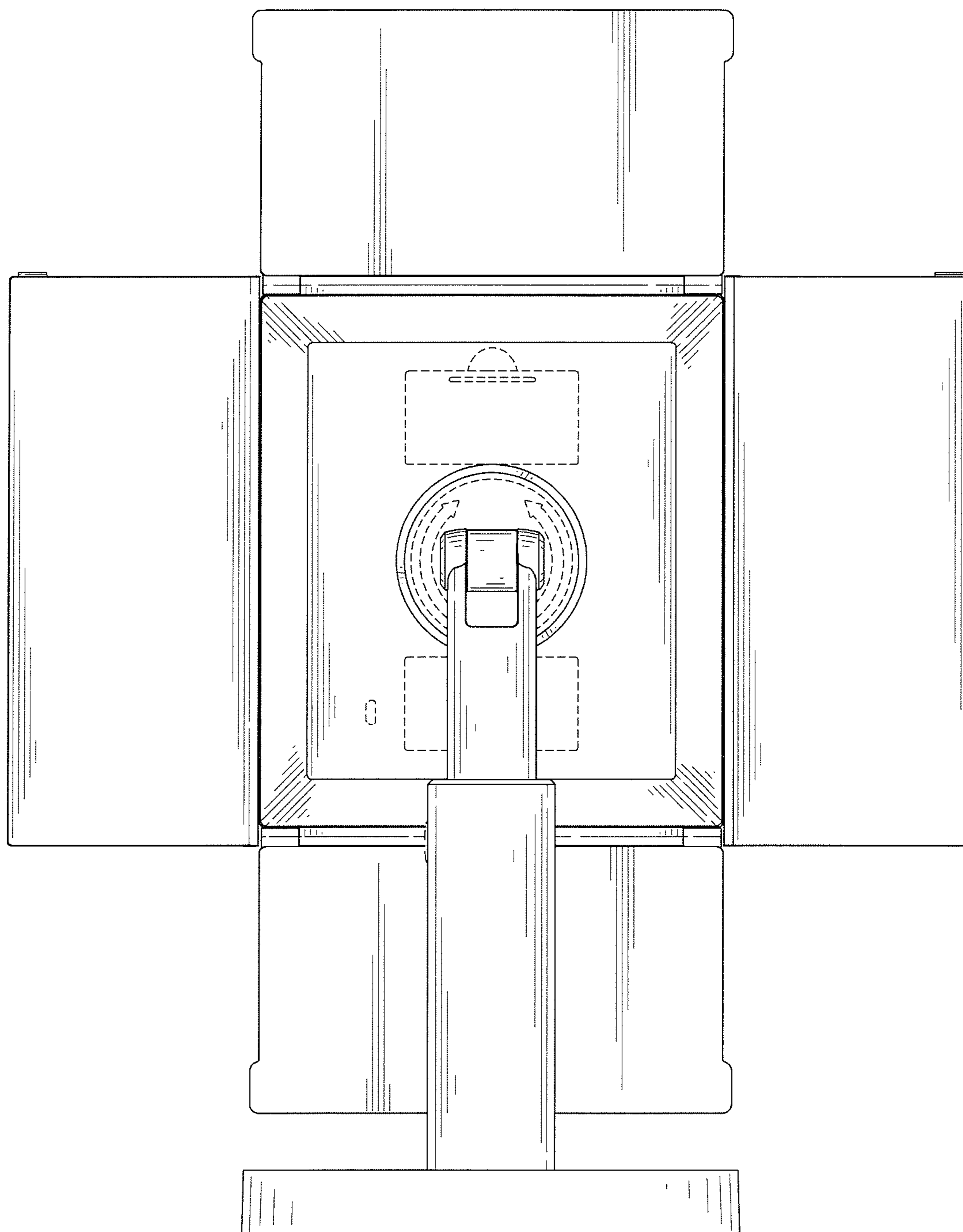


FIG. 4

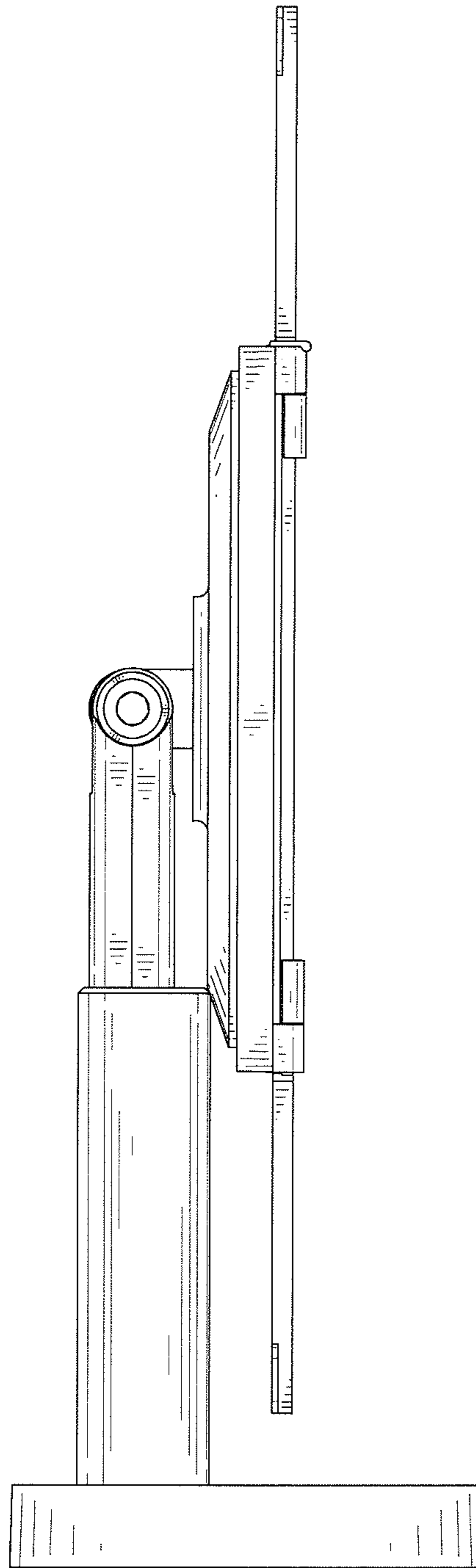


FIG. 5

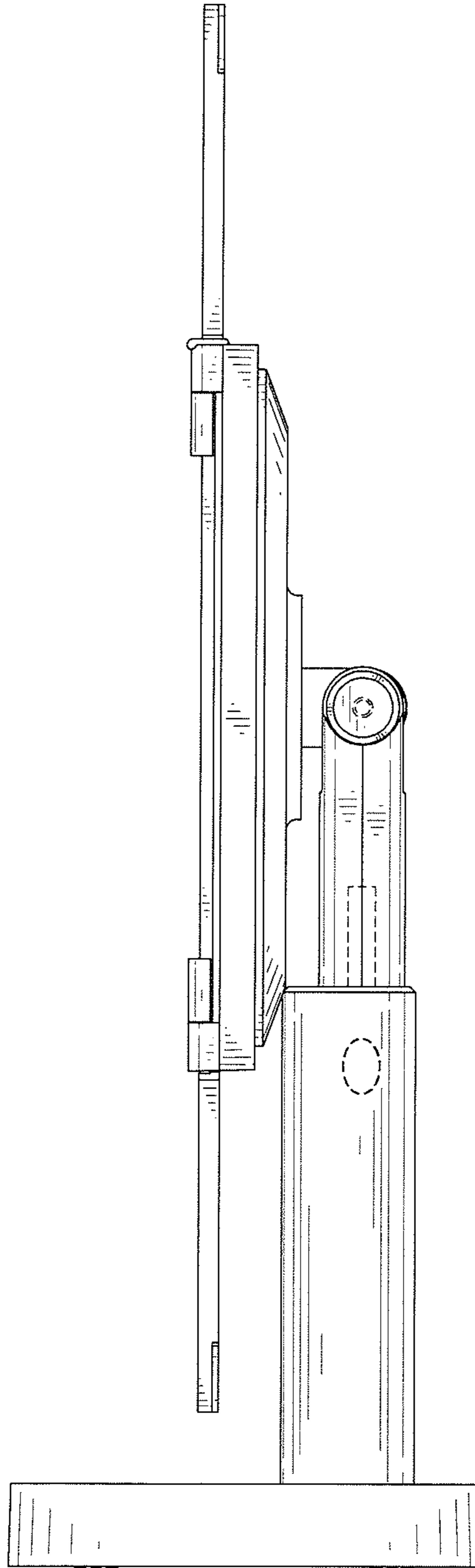


FIG. 6

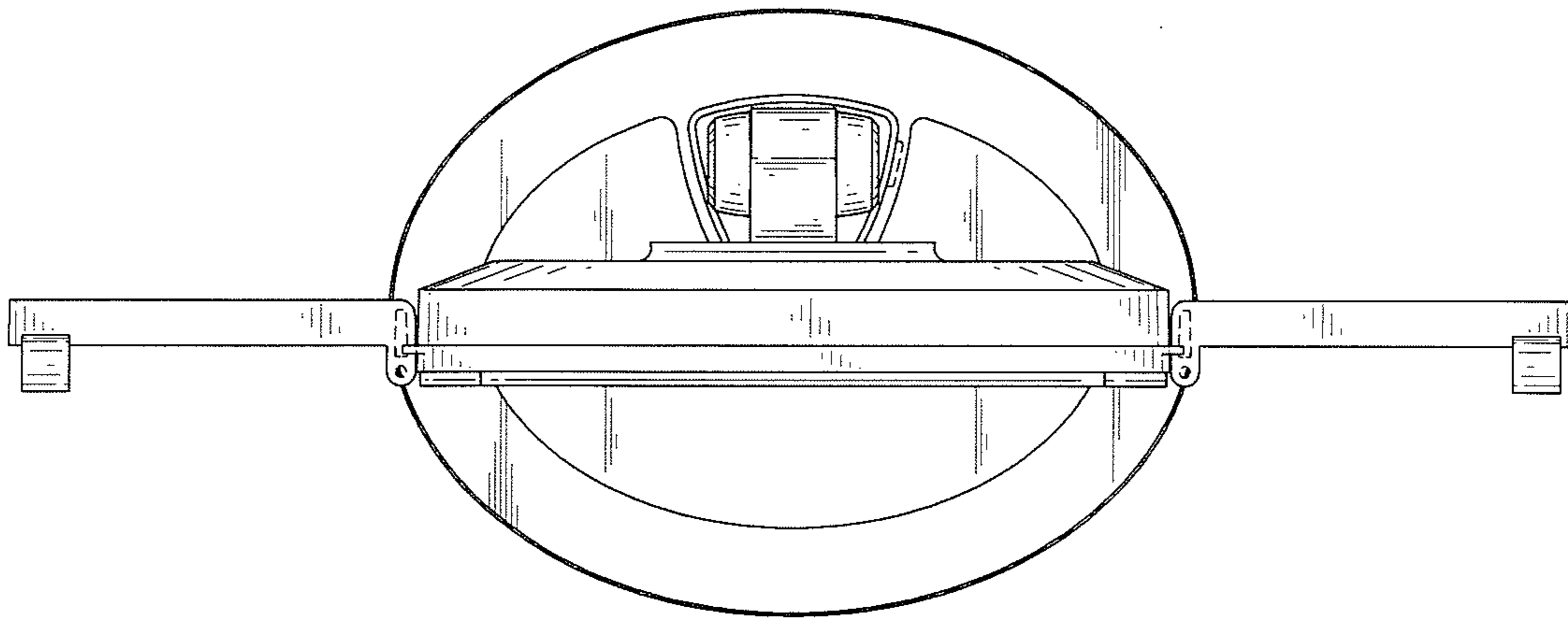


FIG. 7

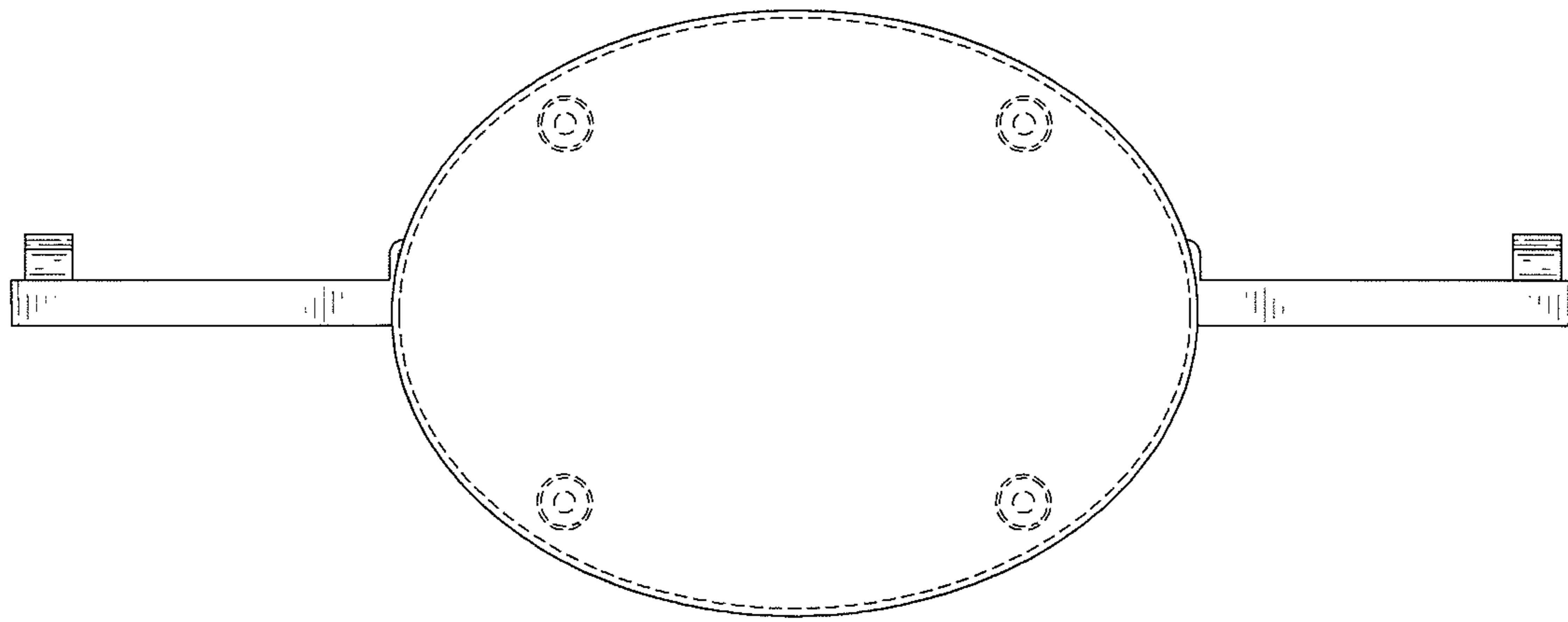


FIG. 8

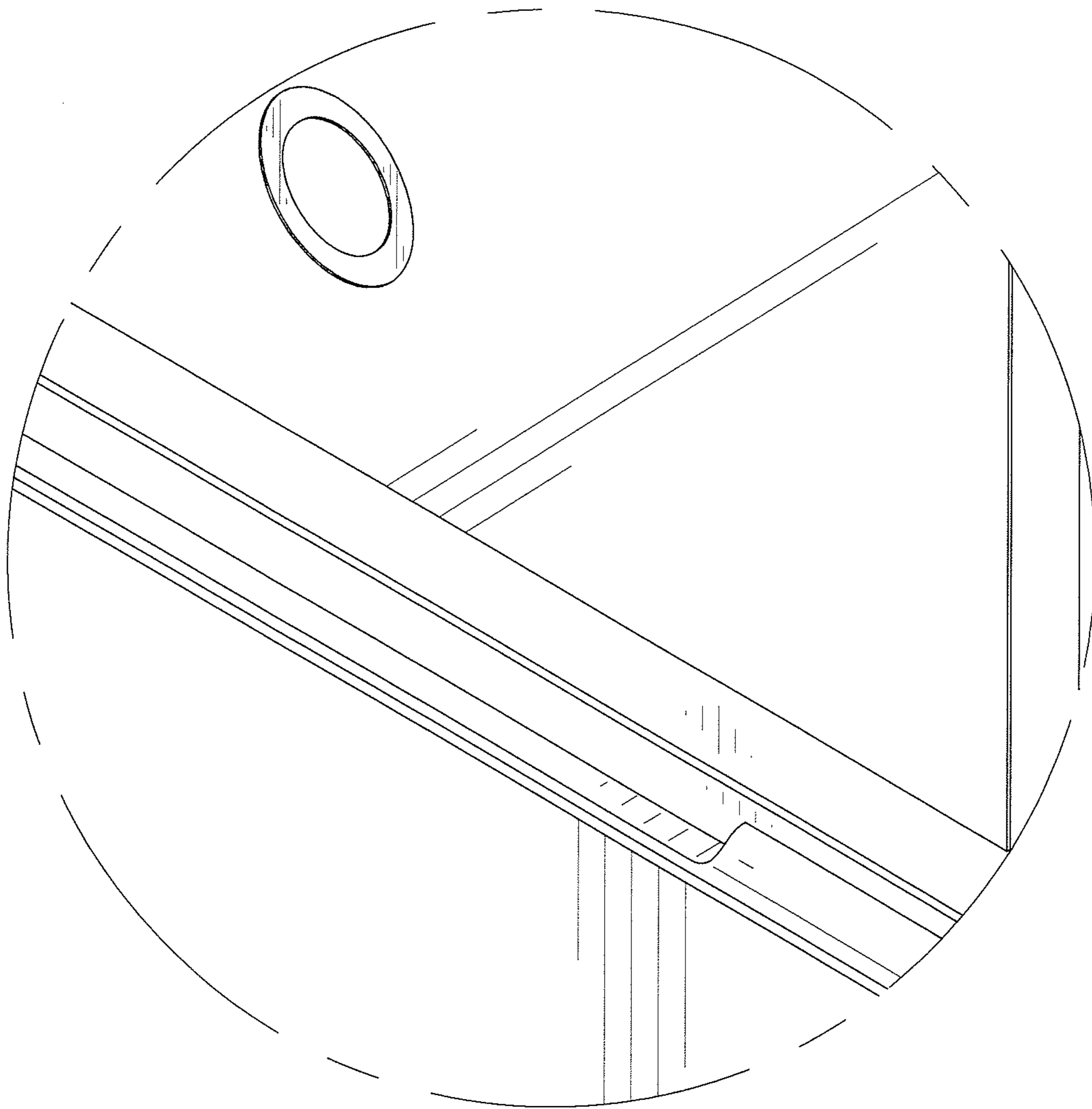


FIG. 9