



US00D881583S

(12) **United States Design Patent** (10) **Patent No.:** **US D881,583 S**  
**Huang** (45) **Date of Patent:** **\*\* Apr. 21, 2020**

(54) **ELECTRIC TOOTHBRUSH** 8,099,819 B2 \* 1/2012 Kraemer ..... A46B 3/04  
15/167.1  
(71) Applicant: **Shenzhen Ximalong Technology Co., Ltd., Shenzhen (CN)** 8,448,284 B2 \* 5/2013 Gross ..... A46B 5/02  
15/143.1  
8,635,734 B2 \* 1/2014 Chun ..... A46B 9/028  
15/167.1  
(72) Inventor: **Min Huang, Shenzhen (CN)** D718,056 S \* 11/2014 Masee ..... D4/101  
D752,870 S \* 4/2016 Slota ..... D4/104  
(73) Assignee: **SHENZHEN XIMALONG TECHNOLOGY CO., LTD., Shenzhen (CN)** D761,567 S \* 7/2016 Uchida ..... D4/101  
D762,987 S \* 8/2016 Kim ..... D4/104  
D838,111 S \* 1/2019 Lee ..... D4/110  
D861,351 S \* 10/2019 Albay ..... D4/101  
D861,352 S \* 10/2019 Xu ..... D4/101  
D864,575 S \* 10/2019 Meng ..... D4/101  
D866,980 S \* 11/2019 Manhas ..... D4/101  
D869,855 S \* 12/2019 Khayat ..... D4/101  
(\*\*) Term: **15 Years** 2018/0020819 A1 \* 1/2018 Steckling ..... A46B 15/0008  
15/167.1  
(21) Appl. No.: **29/673,971**  
(22) Filed: **Dec. 19, 2018**

(51) **LOC (12) Cl.** ..... **04-02**  
(52) **U.S. Cl.** ..... **D4/101**  
USPC ..... **D4/101**  
(58) **Field of Classification Search**  
USPC ..... D4/100, 101, 102, 104, 105, 106, 107,  
D4/108; 15/167.1  
CPC . A46B 2200/1066; A46B 9/04; A61C 17/222;  
A61C 17/24; A61C 17/26  
See application file for complete search history.

(56) **References Cited**  
**U.S. PATENT DOCUMENTS**  
D151,483 S \* 10/1948 Alderson ..... D4/104  
3,927,435 A \* 12/1975 Moret ..... A61C 17/222  
15/176.1  
D358,539 S \* 5/1995 Lee ..... D8/83  
D361,433 S \* 8/1995 Yang ..... D4/101  
D385,702 S \* 11/1997 Okada ..... D4/101  
D394,751 S \* 6/1998 Eguchi ..... D4/101  
D589,255 S \* 3/2009 Taylor ..... D4/101  
D653,035 S \* 1/2012 Gebski ..... D4/101

\* cited by examiner

*Primary Examiner* — Karen E Eldridge Powers

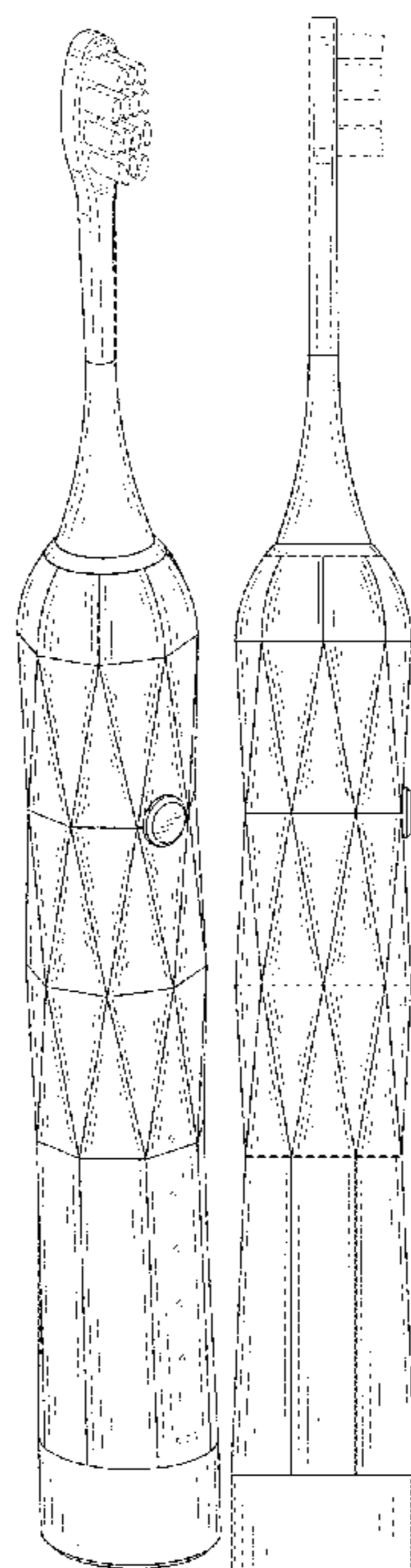
(57) **CLAIM**

The ornamental design for an electric toothbrush, as shown and described.

**DESCRIPTION**

FIG. 1 is a perspective view of an electric toothbrush showing my new design;  
FIG. 2 is a front elevational view thereof;  
FIG. 3 is a rear elevational view thereof;  
FIG. 4 is a left side elevational view thereof;  
FIG. 5 is a right side elevational view thereof;  
FIG. 6 is a top plan view thereof; and,  
FIG. 7 is a bottom plan view thereof.  
The broken lines in the drawings illustrate portions of the electric toothbrush that form no part of the claimed design.

**1 Claim, 7 Drawing Sheets**



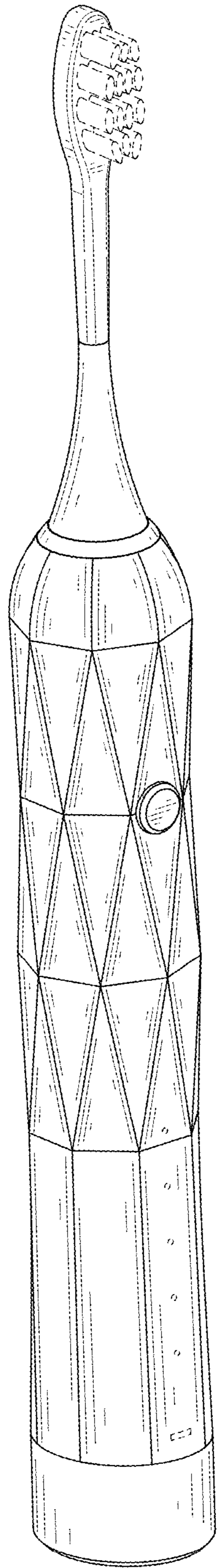


FIG. 1

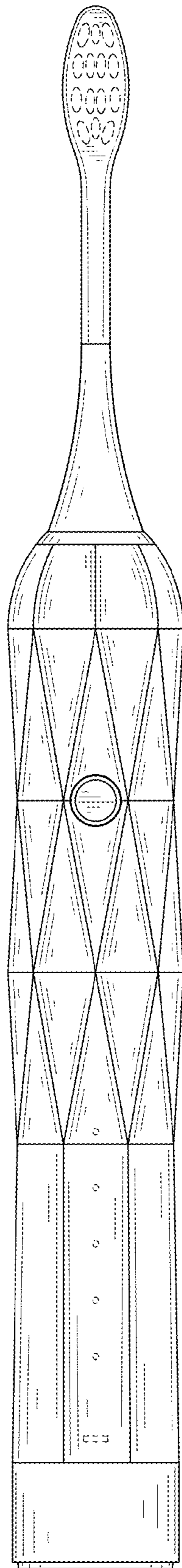


FIG. 2

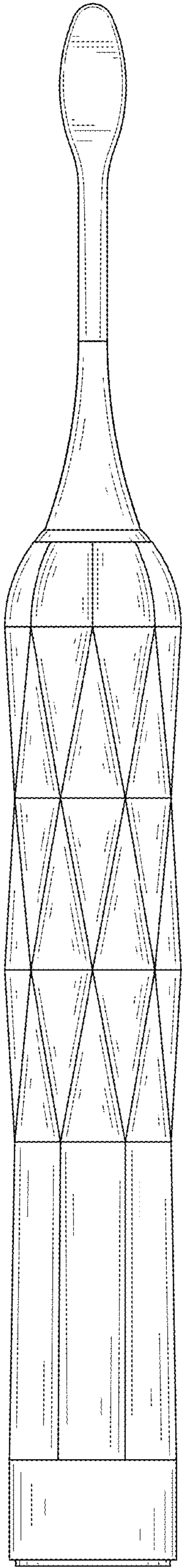


FIG. 3

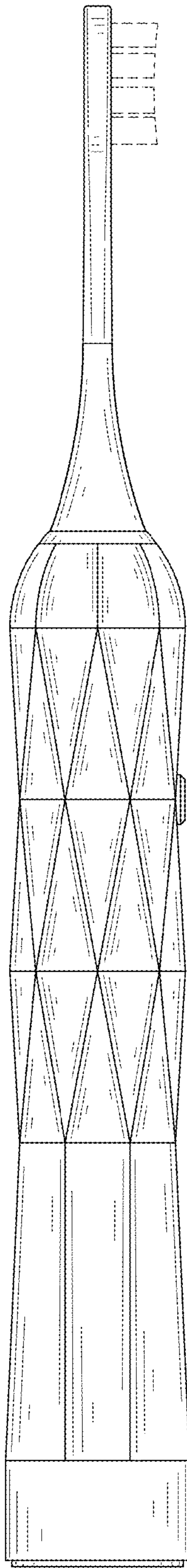


FIG. 4

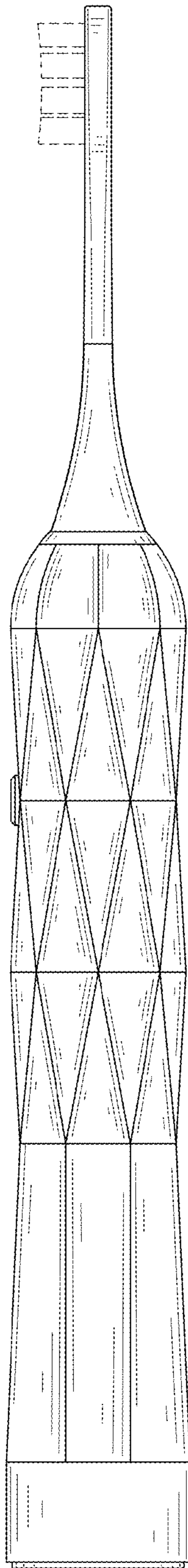


FIG. 5

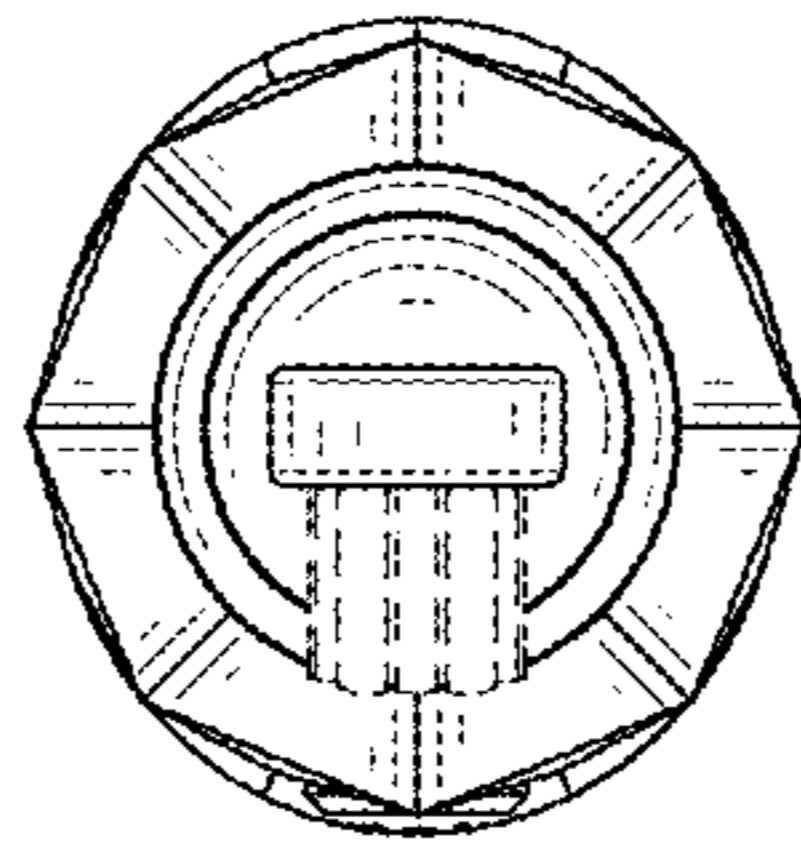


FIG. 6

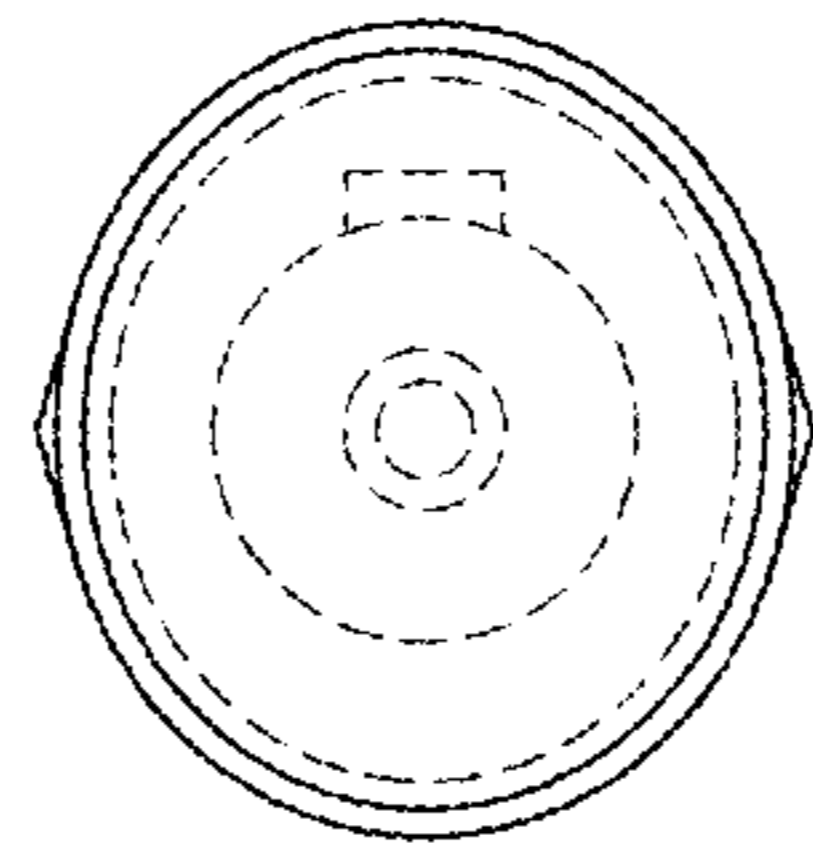


FIG. 7