



US00D881576S

(12) **United States Design Patent**
Reinhart et al.

(10) **Patent No.:** **US D881,576 S**

(45) **Date of Patent:** **** Apr. 21, 2020**

(54) **SEALING TOTE**

D768,385 S 10/2016 Reinhart
D794,958 S 8/2017 Reinhart
D834,315 S 11/2018 Reinhart
10,301,082 B2* 5/2019 Slack B65D 25/32

(71) Applicant: **CREATIVE PLASTIC CONCEPTS, LLC**, Sycamore, OH (US)

* cited by examiner

(72) Inventors: **Nickolas Reinhart**, Findlay, OH (US);
Jacob H. Whitta, Findlay, OH (US)

Primary Examiner — Holly H Baynham

(73) Assignee: **Creative Plastic Concepts, LLC**, Sycamore, OH (US)

(74) *Attorney, Agent, or Firm* — Jacob M. Ward; Ward Law Office LLC

(**) Term: **15 Years**

(57) **CLAIM**

(21) Appl. No.: **29/664,927**

The ornamental design for a sealing tote, as shown and described.

(22) Filed: **Sep. 28, 2018**

(51) **LOC (12) Cl.** **03-01**

(52) **U.S. Cl.**
USPC **D3/318**

DESCRIPTION

(58) **Field of Classification Search**
USPC D3/318, 294, 273, 289, 279
CPC .. B65D 21/0233; B65D 21/062; B65D 21/04;
B65D 21/02; A45C 13/36; A45C 5/14
See application file for complete search history.

FIG. 1 is a top perspective view of a sealing tote; FIG. 2 is a bottom perspective view thereof; FIG. 3 is a front elevational view thereof; FIG. 4 is a right side elevational view thereof; FIG. 5 is a top plan view thereof; and, FIG. 6 is a bottom plan view thereof.

(56) **References Cited**

U.S. PATENT DOCUMENTS

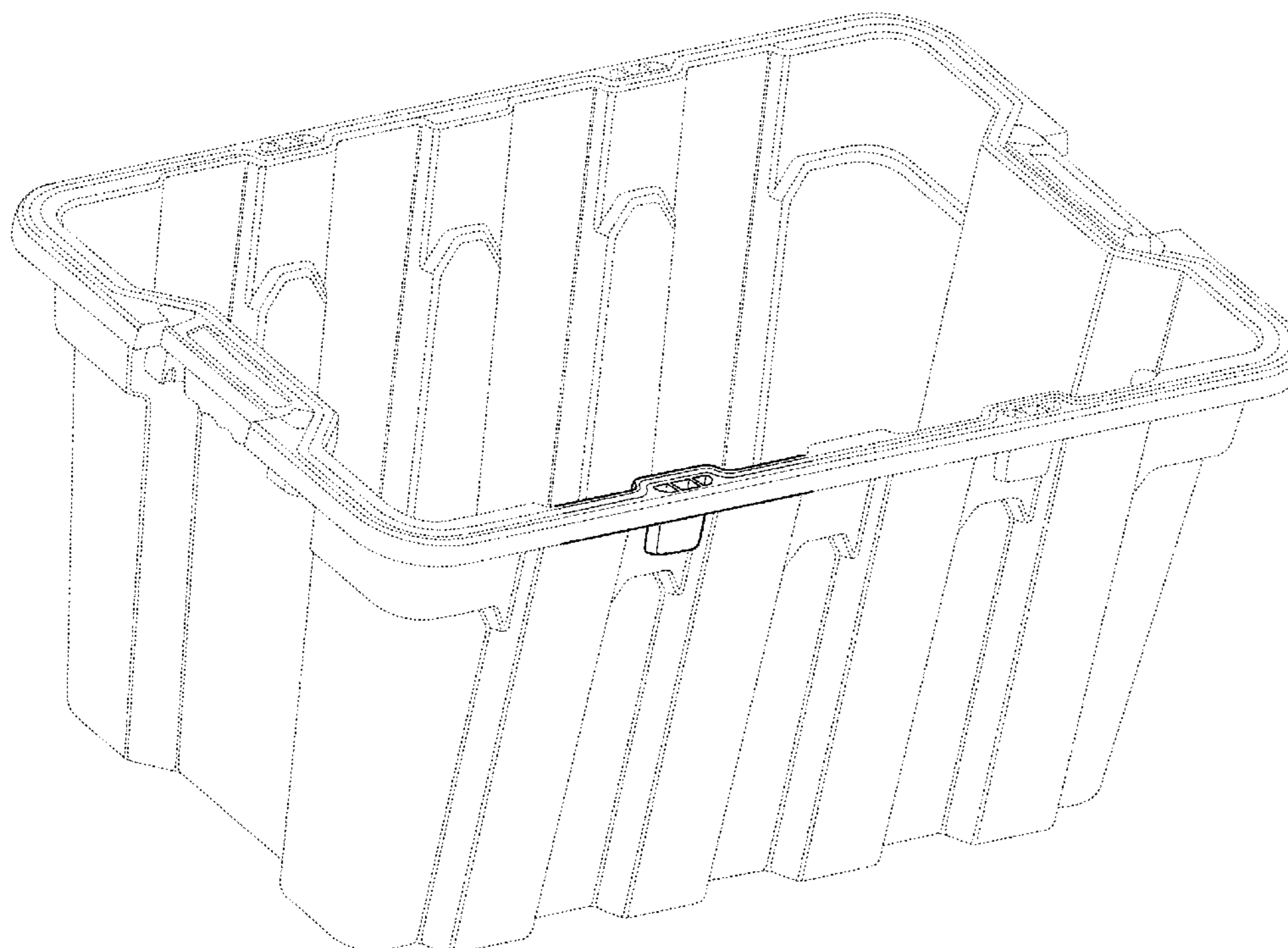
- 5,356,026 A * 10/1994 Andress B65D 21/0233
206/508
- 6,581,253 B2 * 6/2003 ErkenBrack B65D 33/2591
24/399
- 8,573,399 B2 * 11/2013 Ulmer B65D 21/062
206/503
- D743,171 S 11/2015 Reinhart
- D756,652 S 5/2016 Reinhart

A rear elevational view is not shown because it is identical to the front elevational view shown in FIG. 3. A left side elevational view is not shown because it is identical to the right side elevational view shown in FIG. 4.

The broken lines in the drawings form no part of the claimed design.

The ornamental design which is claimed is shown in solid lines in the drawings.

1 Claim, 6 Drawing Sheets



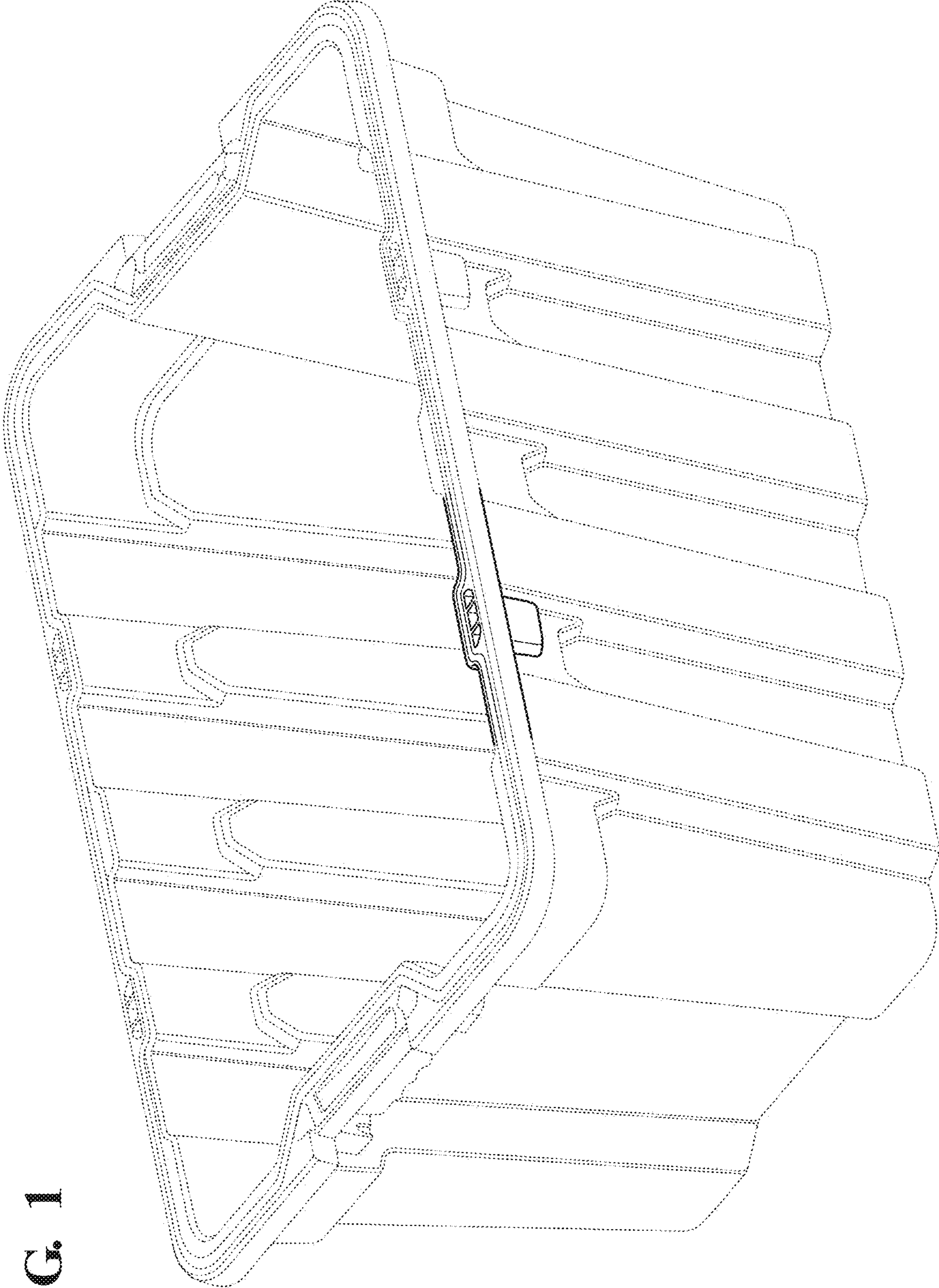


FIG. 1

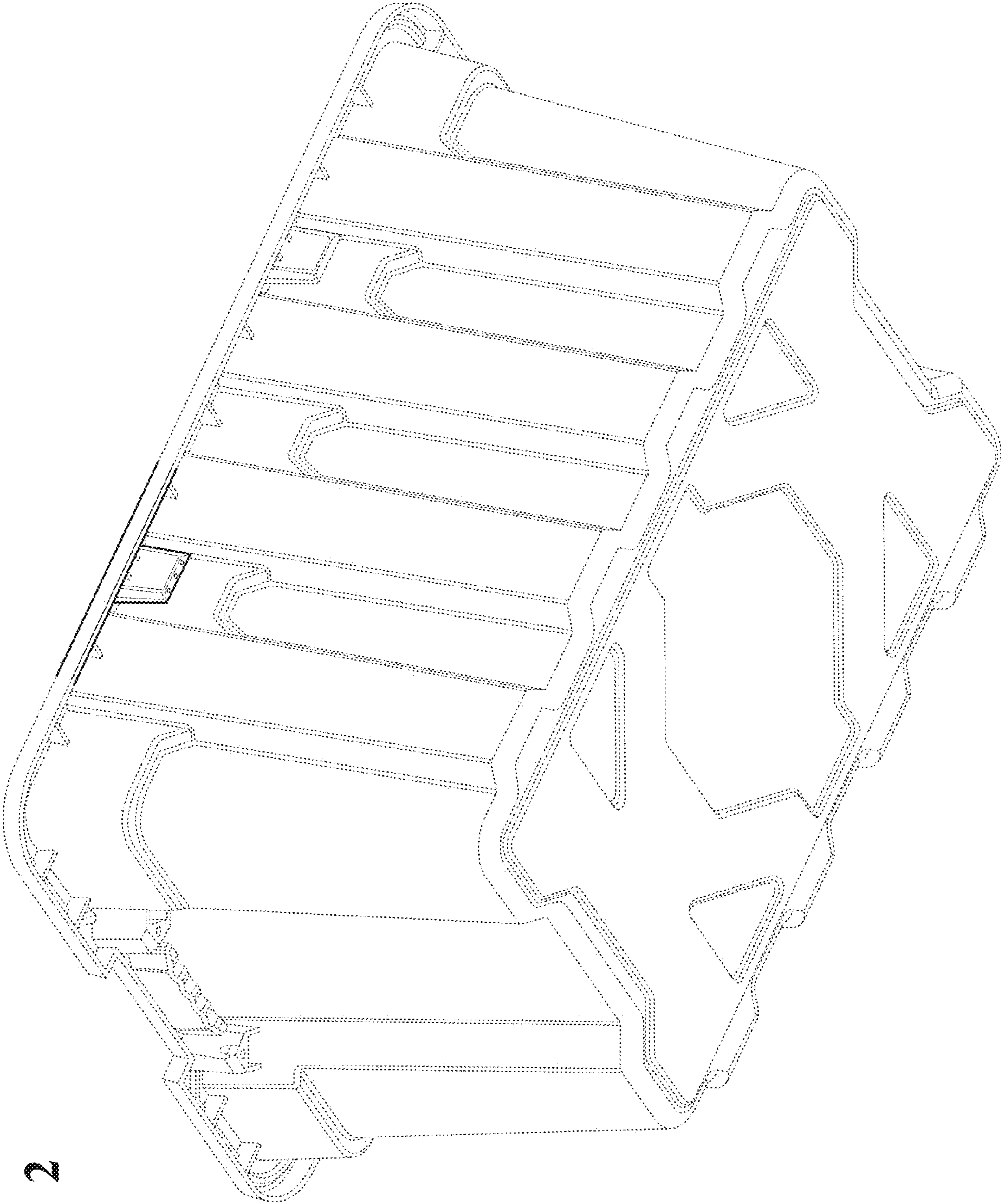


FIG. 2

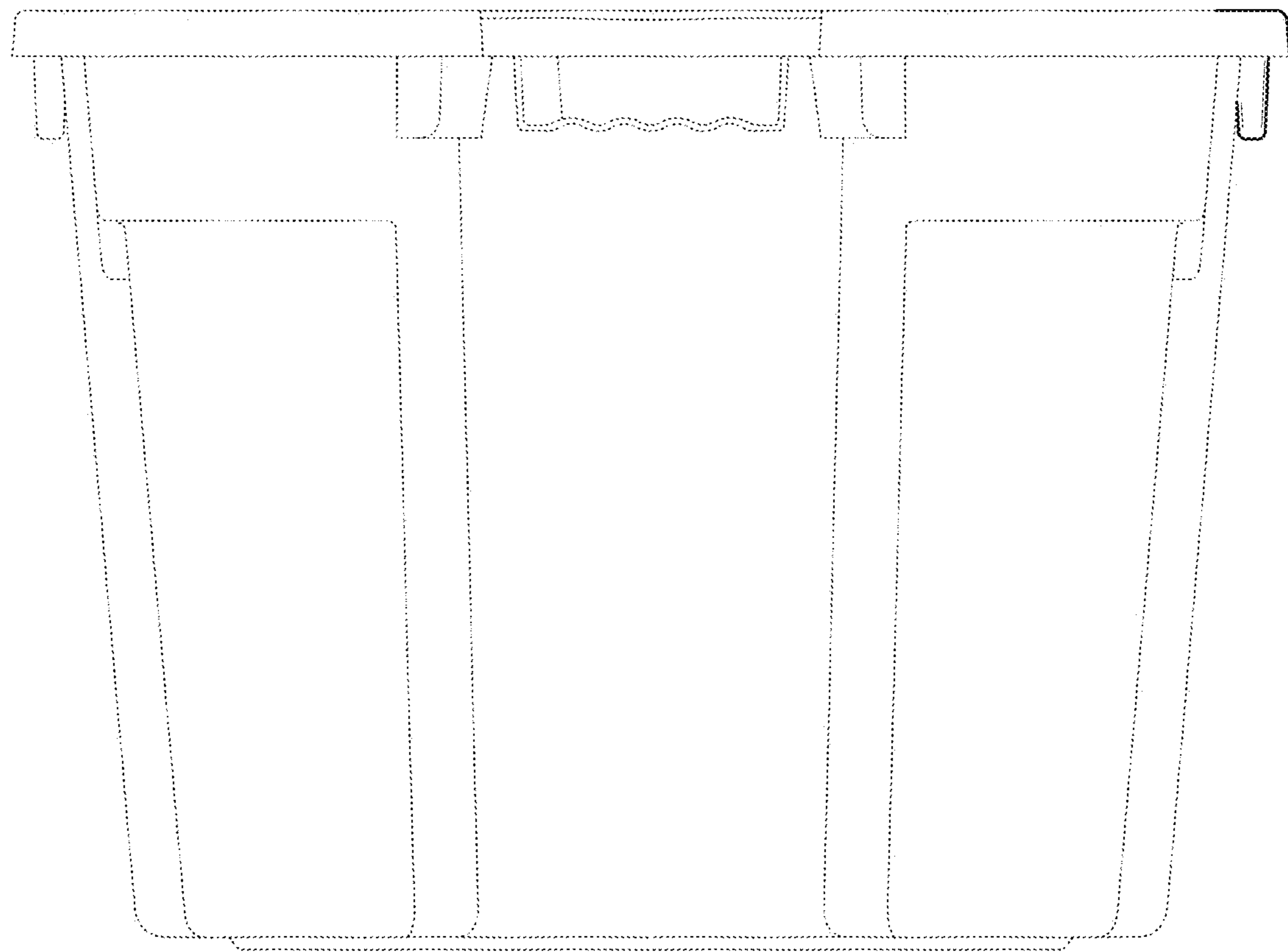


FIG. 3

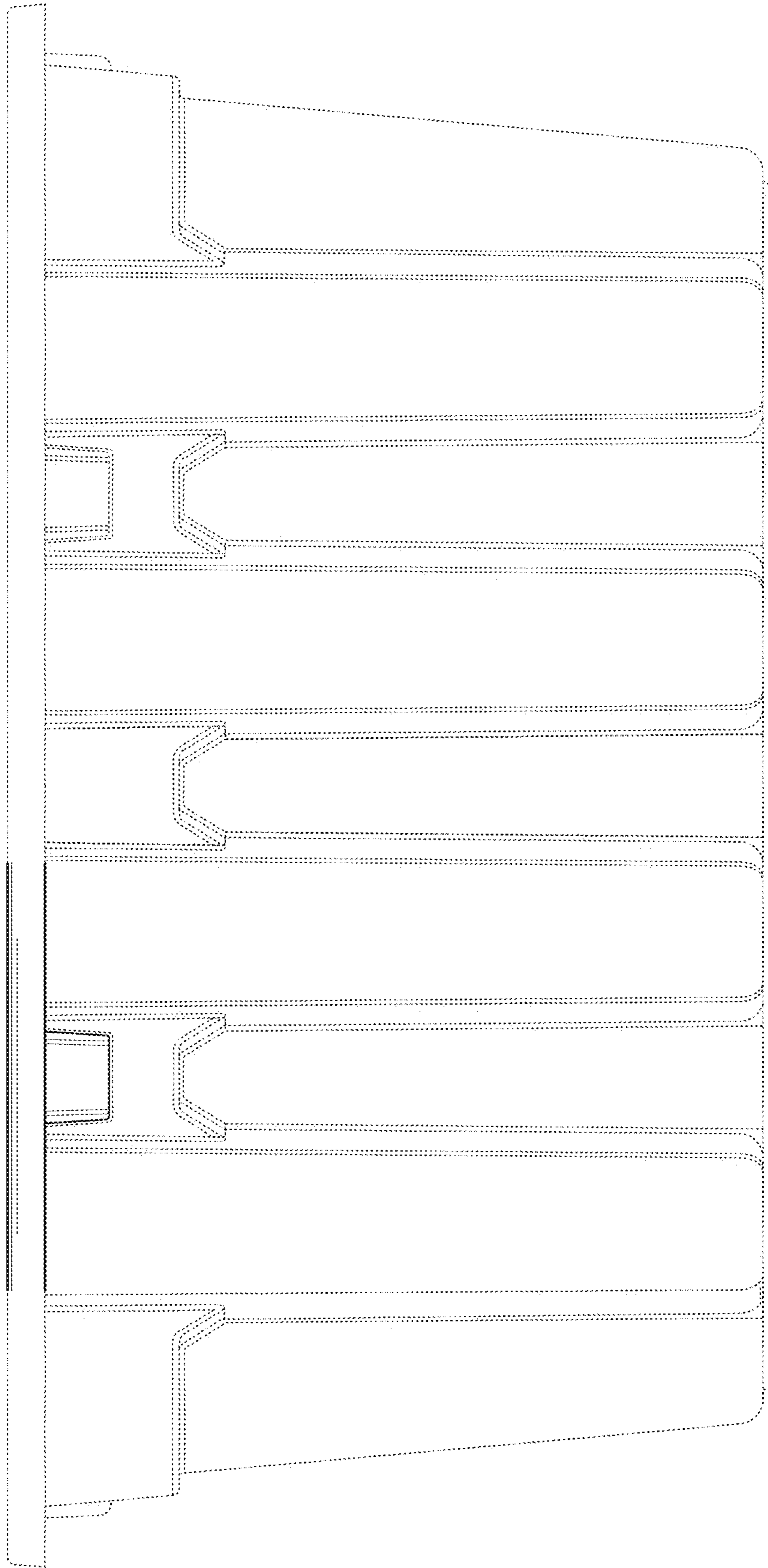


FIG. 4

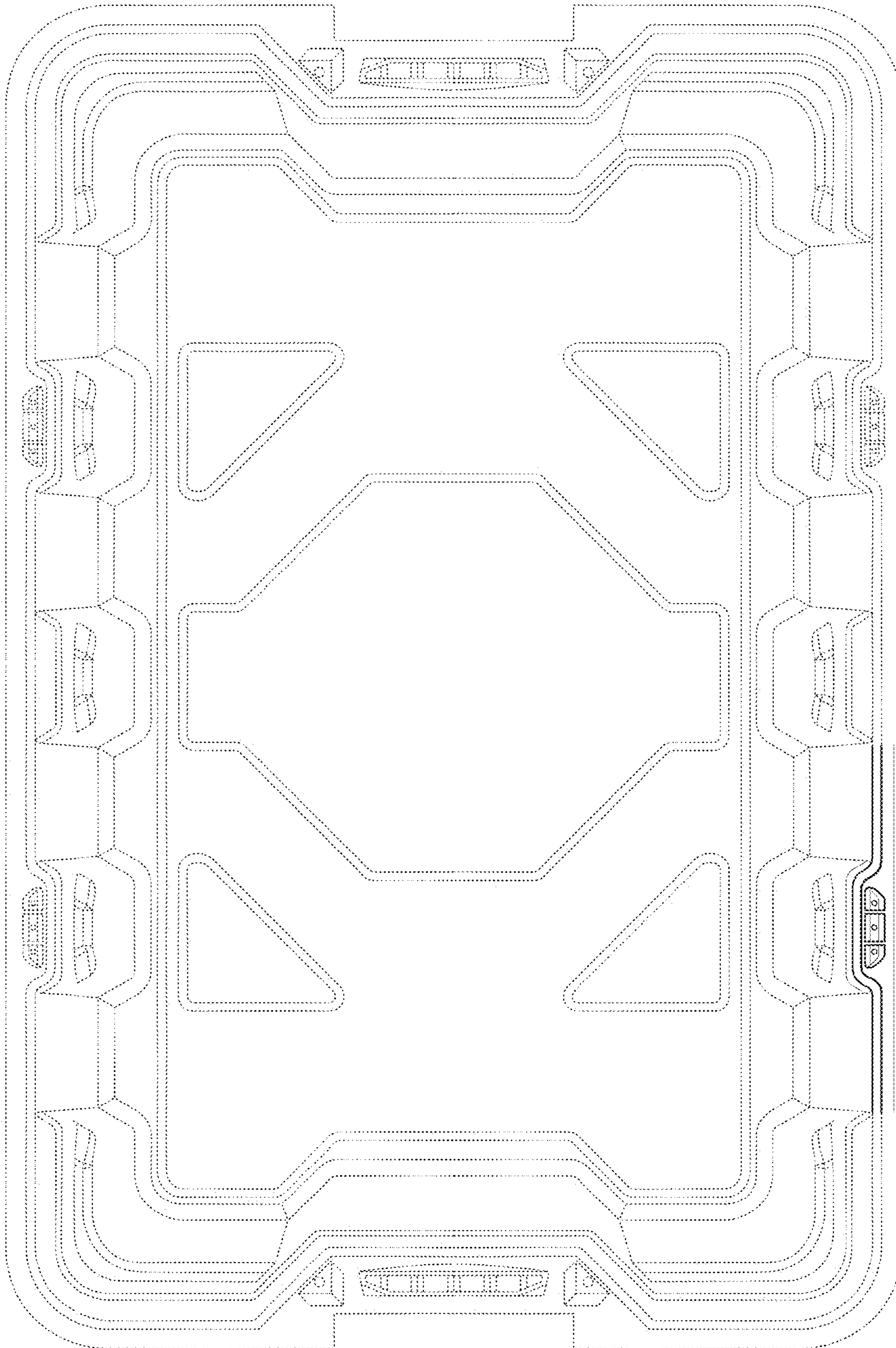


FIG. 5

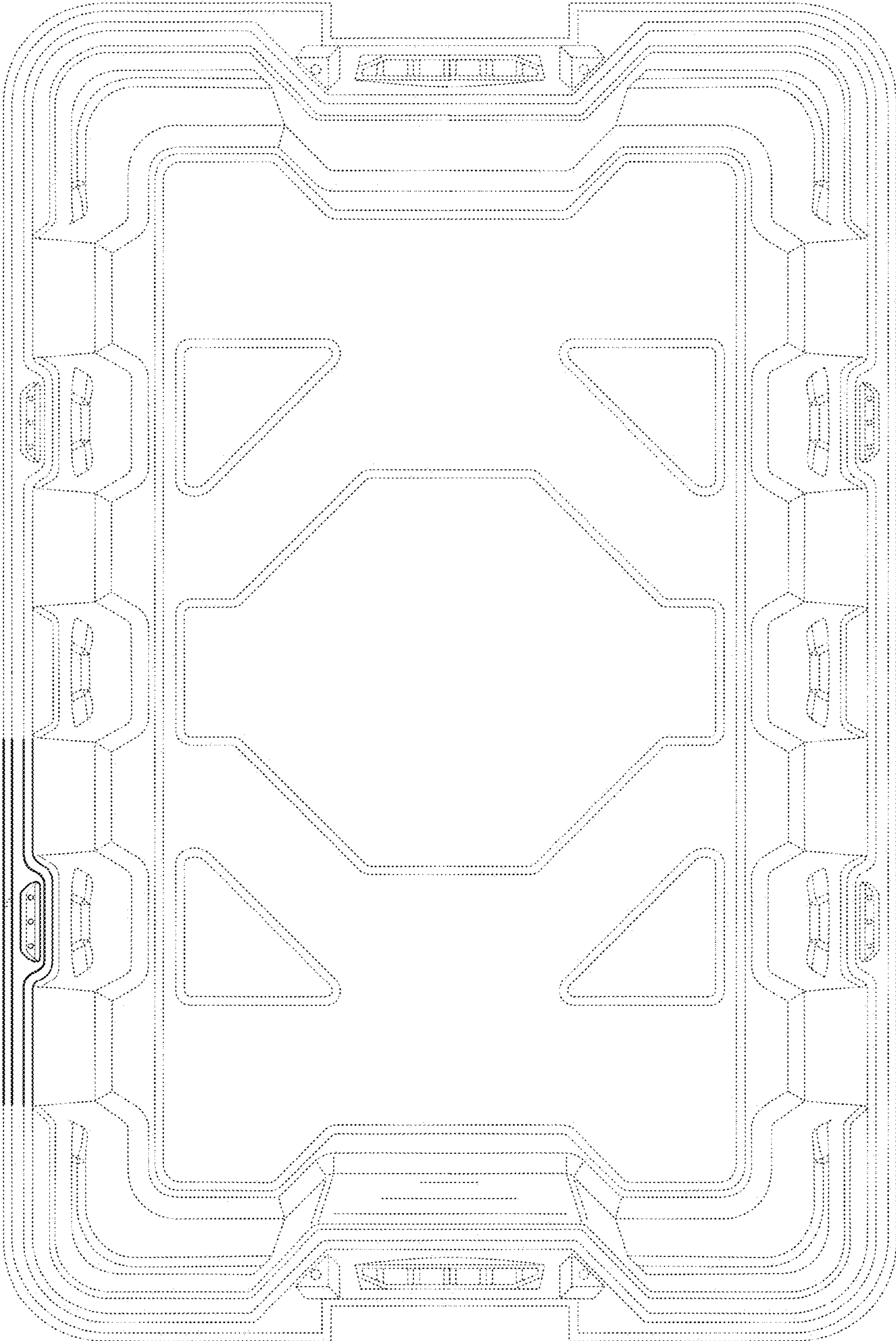


FIG. 6