



US00D881574S

(12) **United States Design Patent**
Dittrich

(10) **Patent No.:** **US D881,574 S**

(45) **Date of Patent:** **** Apr. 21, 2020**

(54) **BASKET**

(71) Applicant: **Spectrum Diversified Designs, LLC**,
Streetsboro, OH (US)

(72) Inventor: **Megan Dittrich**, Twinsburg, OH (US)

(73) Assignee: **SPECTRUM DIVERSIFIED
DESIGNS, LLC**, Streetsboro, OH (US)

(**) Term: **15 Years**

(21) Appl. No.: **29/672,863**

(22) Filed: **Dec. 10, 2018**

(51) **LOC (12) Cl.** **03-01**

(52) **U.S. Cl.**
USPC **D3/304**

(58) **Field of Classification Search**
USPC D3/201, 304, 305, 306, 312, 314-315,
D3/318-319; D19/75-77, 86; D6/675,
D6/675.5

CPC B65D 1/00; B65D 1/34; B65D 1/38
See application file for complete search history.

(56) **References Cited**

U.S. PATENT DOCUMENTS

D296,601 S *	7/1988	Chap	D3/306
D721,904 S *	2/2015	Tsai	D6/675.5
D784,697 S *	4/2017	Goodman	D3/306
D784,698 S *	4/2017	Goodman	D3/306
D784,700 S *	4/2017	Goodman	D3/306
D786,557 S *	5/2017	Goodman	D3/306
D793,087 S *	8/2017	Goodman	D3/306
D819,333 S *	6/2018	Goodman	D3/306
D823,599 S *	7/2018	Goodman	D3/306
D838,979 S *	1/2019	Goodman	D3/304

D855,351 S *	8/2019	Goodman	D6/566
D862,883 S *	10/2019	Stelmarski	D3/306
2012/0152993 A1 *	6/2012	Chen	B62J 9/00 224/419

OTHER PUBLICATIONS

Small Storage Basket, Spectrum web page, <https://www.spectrumdiversified.com/products/Small-Storage-Basket>, dated: Nov. 27, 2018, 5 pages.

Vintage Livingé Wall Mount Basket, Spectrum web page, <https://www.spectrumdiversified.com/products/Vintage-Wall-Mount-Basket>, dated: Nov. 27, 2018, 5 pages.

* cited by examiner

Primary Examiner — Kelley A Donnelly

(74) *Attorney, Agent, or Firm* — Tucker Ellis LLP

(57) **CLAIM**

The ornamental design for a basket, as shown and described.

DESCRIPTION

FIG. 1 is a perspective view of a basket showing my new design.

FIG. 2 is a front view thereof.

FIG. 3 is a rear view thereof.

FIG. 4 is a right side view thereof.

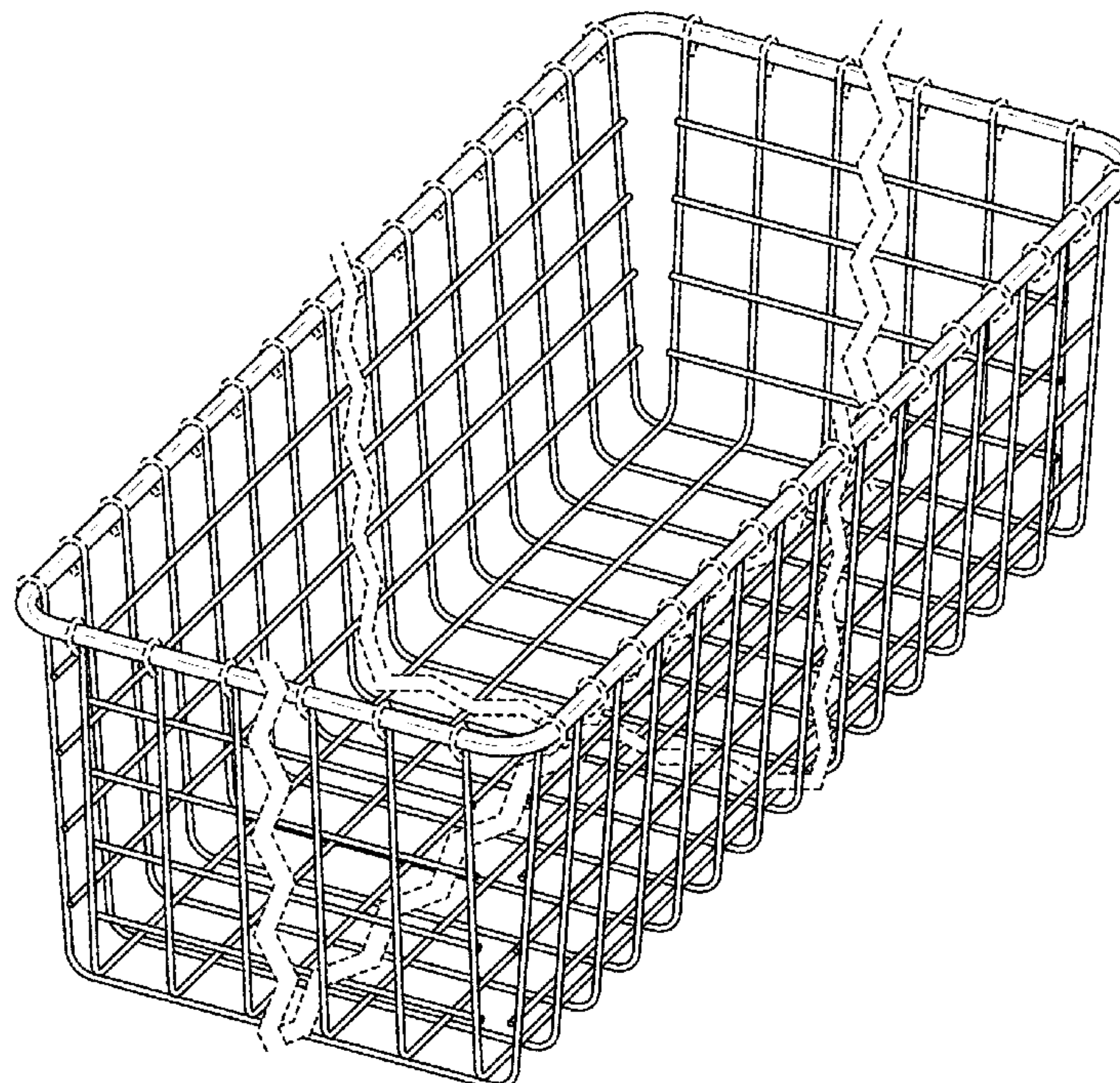
FIG. 5 is a left side view thereof.

FIG. 6 is a top view thereof; and,

FIG. 7 is a bottom view thereof.

The broken lines show portions of the design that form no part of the claimed design. The break lines represent sections of the basket of indeterminate length and width.

1 Claim, 4 Drawing Sheets



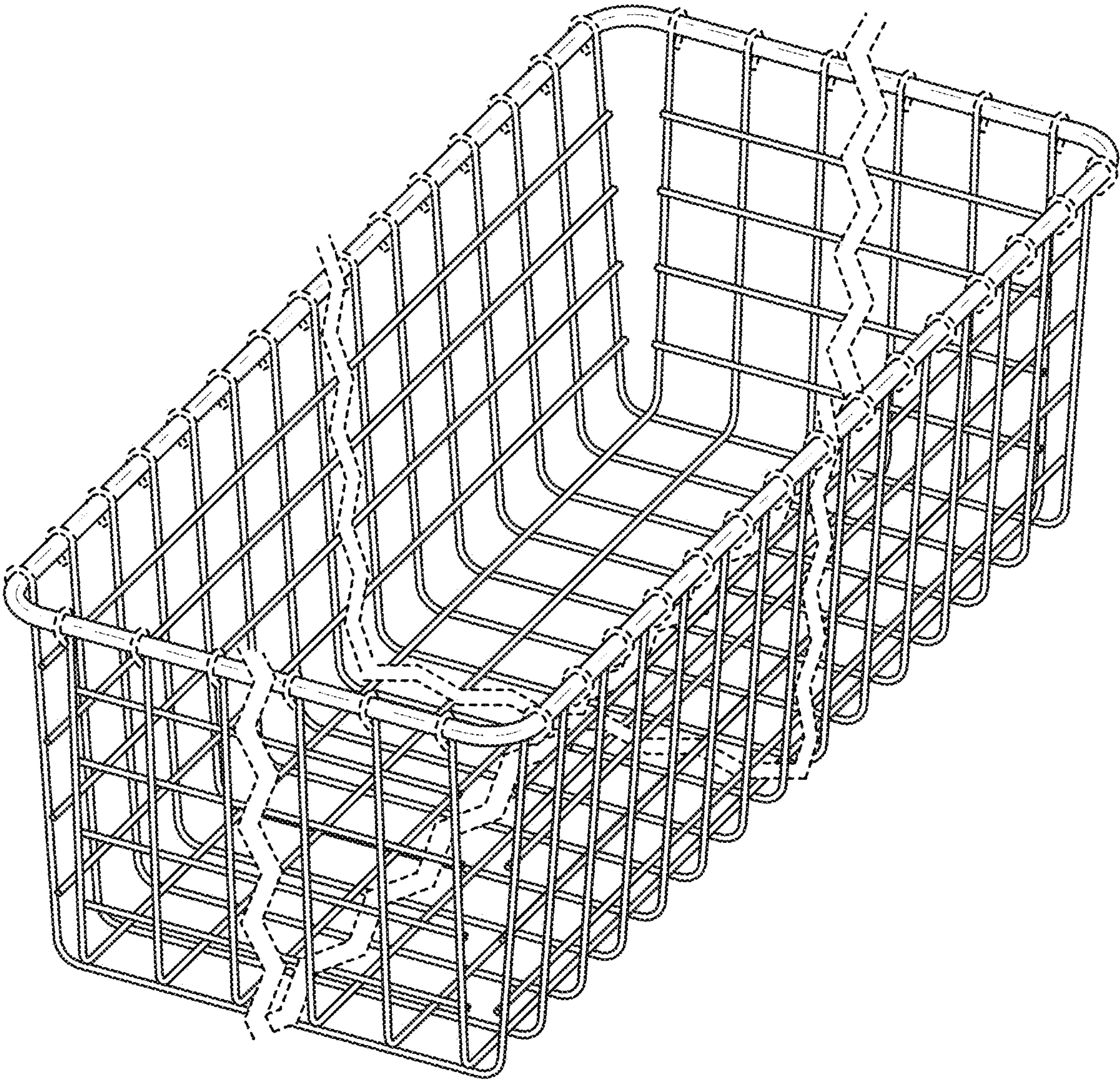


FIG. 1

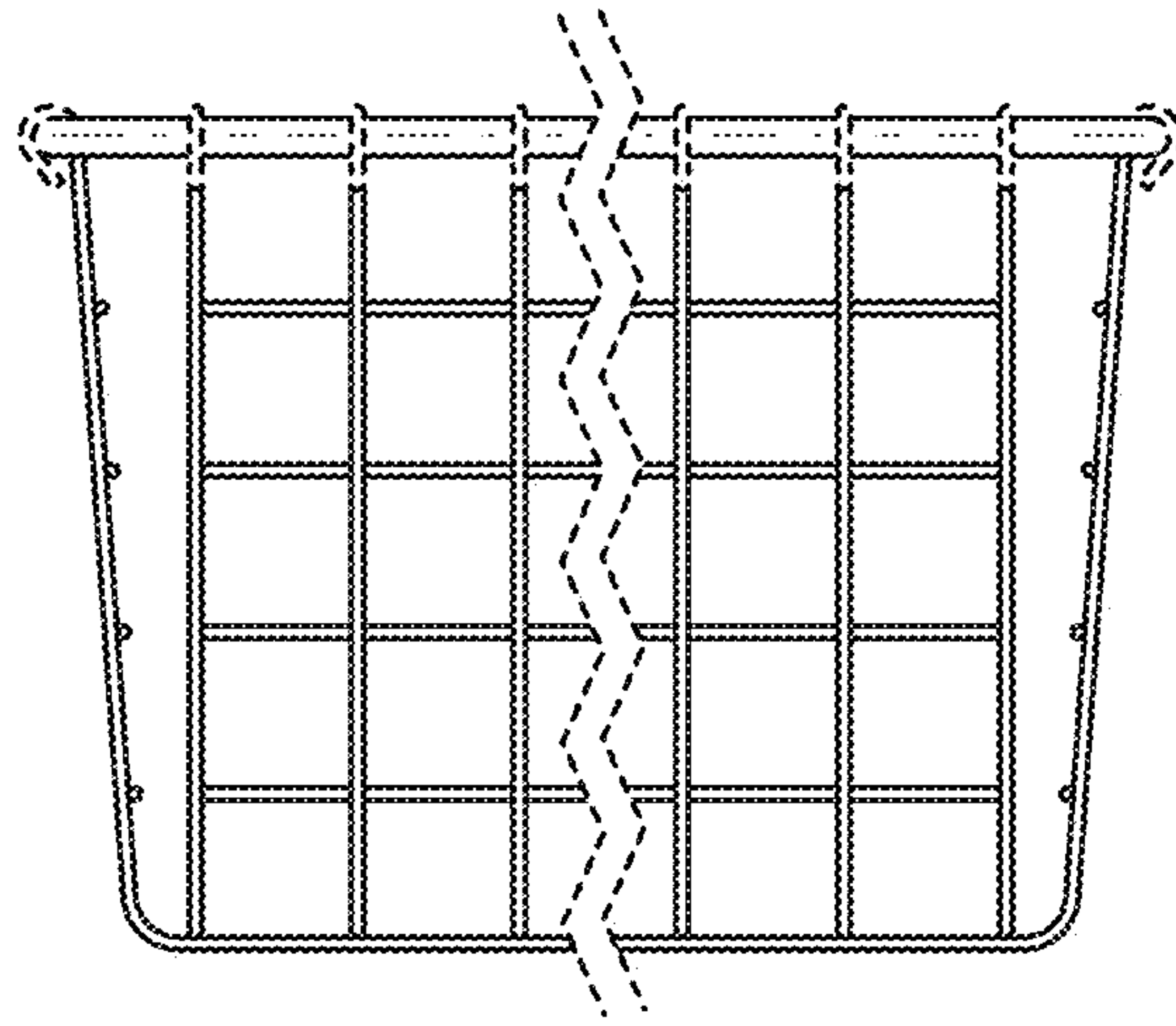


FIG. 2

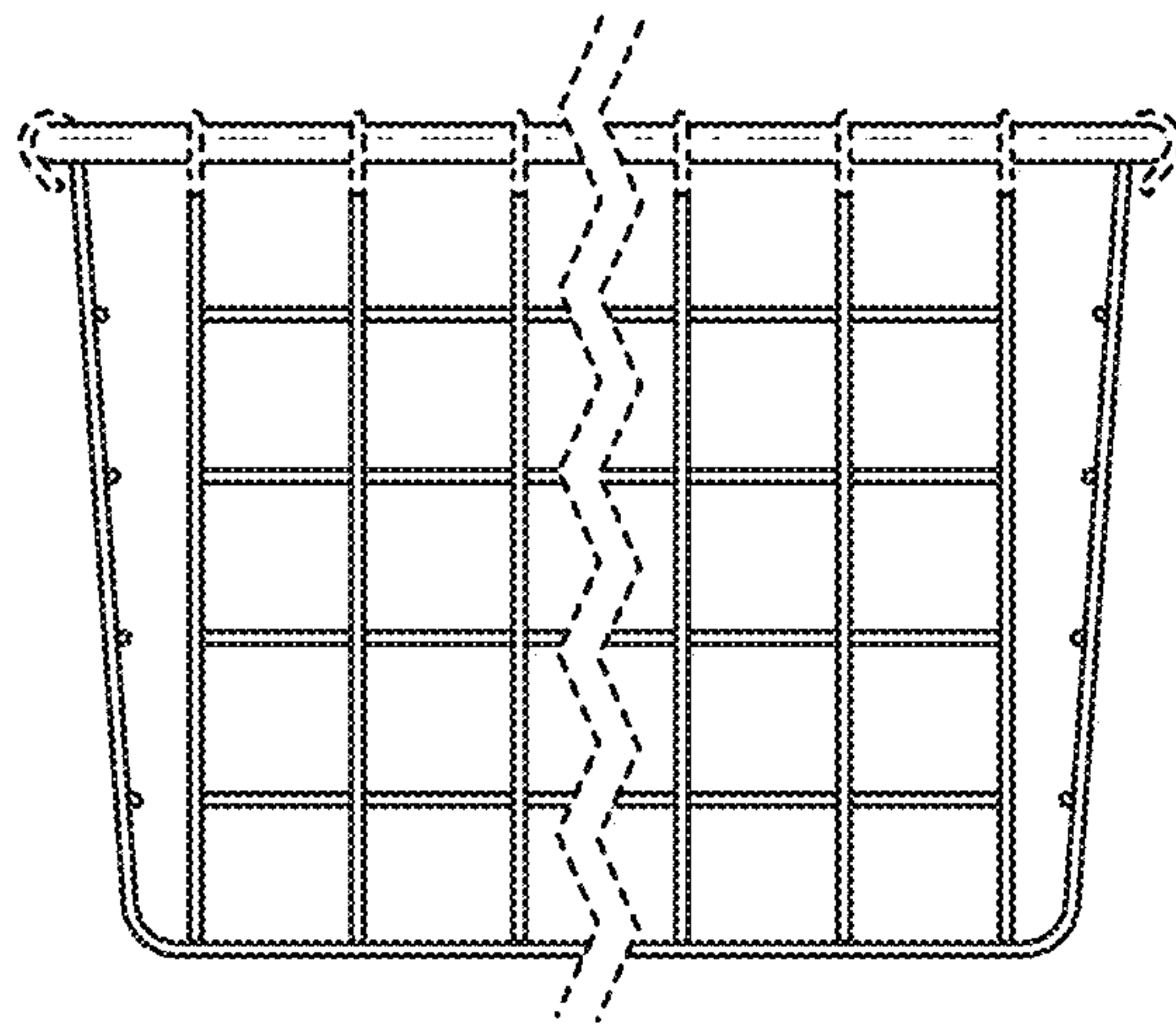


FIG. 3

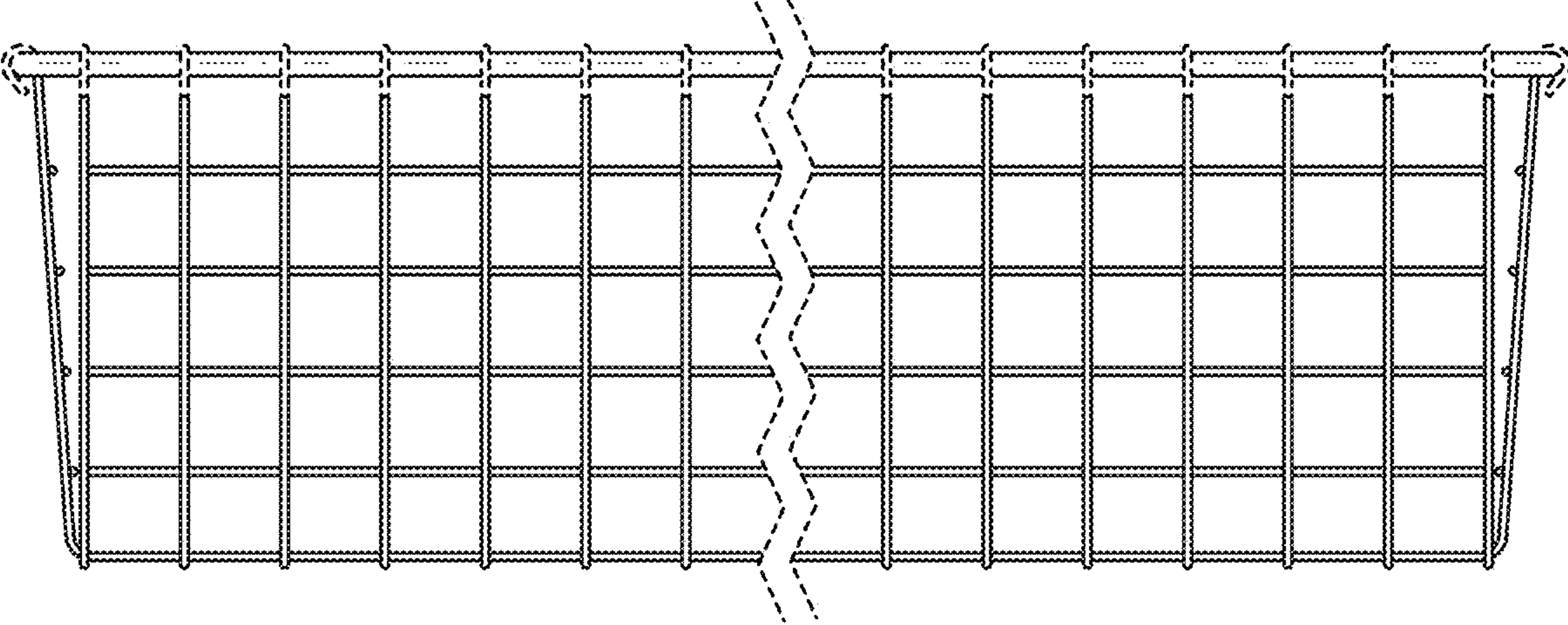


FIG. 4

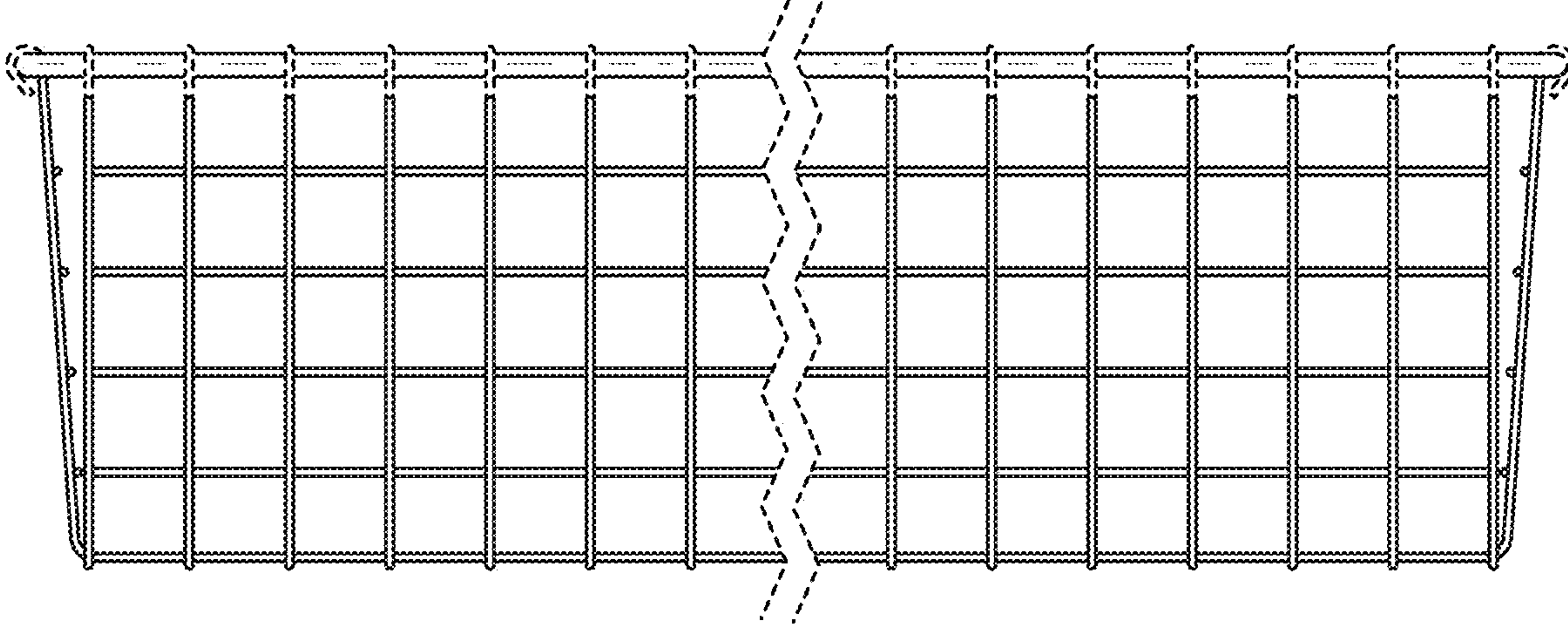


FIG. 5

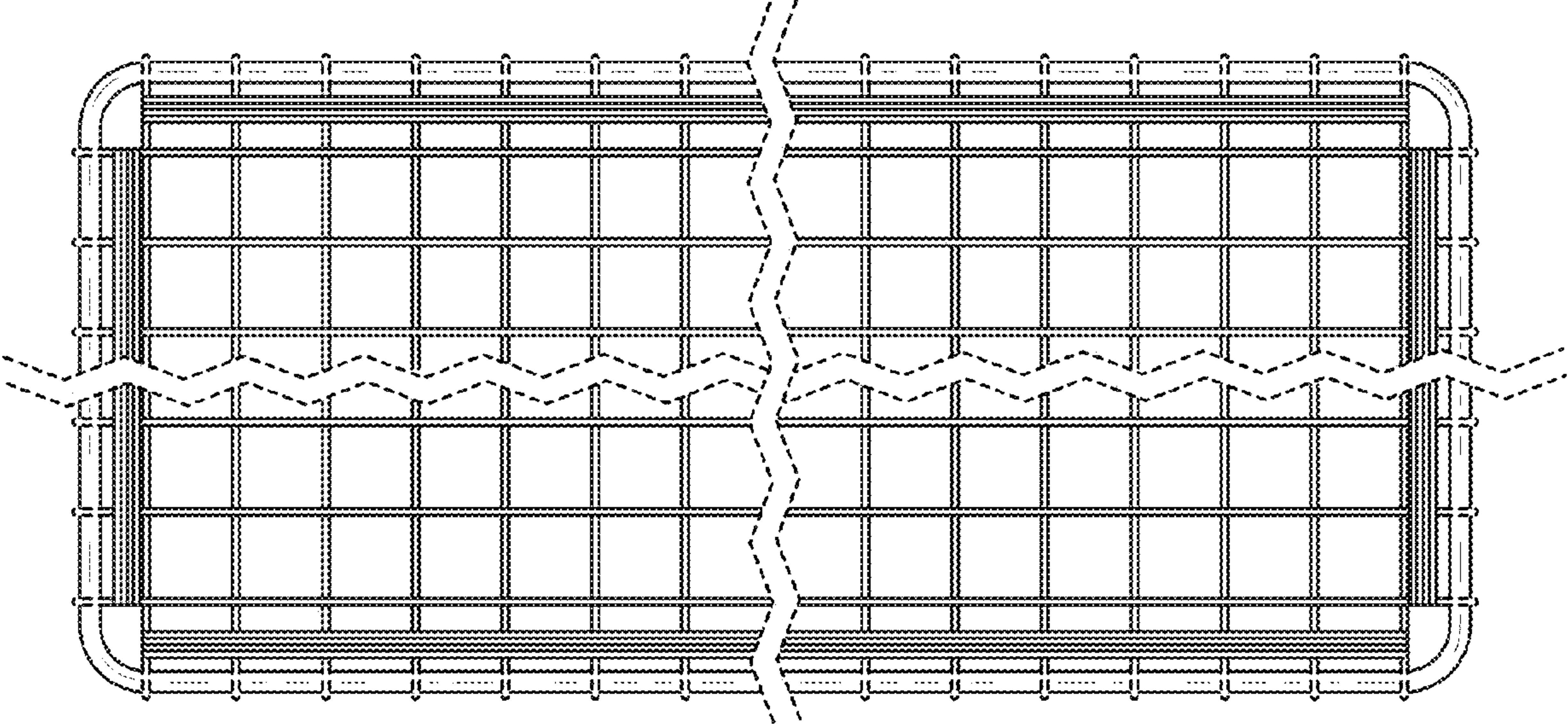


FIG. 6

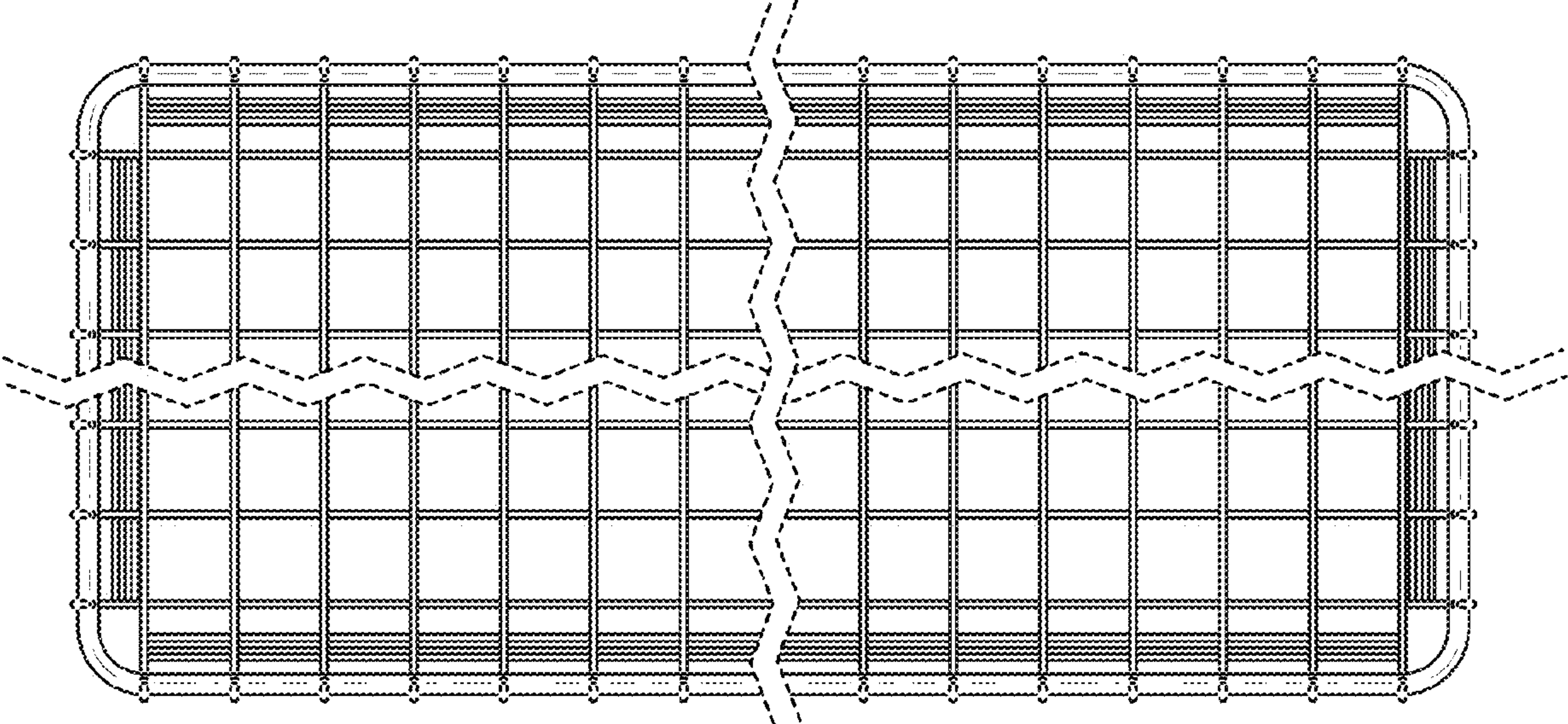


FIG. 7