



US00D881571S

(12) **United States Design Patent** (10) **Patent No.:** **US D881,571 S**
Wang (45) **Date of Patent:** **** Apr. 21, 2020**

(54) **CRAFT MACHINE CARRYING BAG**

D688,457 S * 8/2013 Harris D3/285
D692,661 S 11/2013 Gupton, Jr.
D758,075 S * 6/2016 Quarry D3/276
D796,841 S * 9/2017 Schartle D3/285

(71) Applicant: **Jiben Wang**, Xiamen (CN)

(72) Inventor: **Jiben Wang**, Xiamen (CN)

(**) Term: **15 Years**

(21) Appl. No.: **29/690,066**

(22) Filed: **May 5, 2019**

(51) **LOC (12) Cl.** **03-01**

(52) **U.S. Cl.**
USPC **D3/289**

(58) **Field of Classification Search**
USPC D3/20, 201, 203.6, 206, 233, 267, 271.1,
D3/273, 274, 276, 283, 284, 285, 287,
D3/289, 295, 900, 901, 905, 301
CPC B25H 3/003; B25H 3/02; A45C 11/00;
A45C 2013/025; A45C 11/38; A45C
11/34; A45C 5/005; A45C 2003/008;
A45C 3/00
See application file for complete search history.

OTHER PUBLICATIONS

Amazon, "StarPlus2 Padded Craft Machine Shoulder Carry Bag, Sized to Fit Cricut Explore, Explore Air, Air 2, One, Maker, Silhouette Cameo 3—Blue", First reviewed Nov. 15, 2018. (<https://www.amazon.com/StarPlus2-Machine-Shoulder-Explore-Silhouette/dp/B07KQSK9K6/>) (Year: 2018).*

Amazon, "HOMEST Lightweight Carrying Case Compatible with Cricut Explore Air 2, Cricut Maker, Cricut Explore Air, Purple (Patent Pending)", First reviewed May 7, 2019. (<https://www.amazon.com/HOMEST-Lightweight-Carrying-Compatible-Explore/dp/B07QB6GTN9/>) (Year: 2019).*

* cited by examiner

Primary Examiner — April Rivas

(57) **CLAIM**

The ornamental design a craft machine carrying bag, as shown and described.

(56) **References Cited**

U.S. PATENT DOCUMENTS

D257,651 S * 12/1980 Katz D3/283
D280,362 S * 9/1985 Allen D3/286
D304,264 S * 10/1989 Peregrine D3/289
D314,276 S * 2/1991 Nordstrom D3/287
6,269,922 B1 * 8/2001 Gosse A45C 3/00
190/107
D459,075 S 6/2002 Pukall et al.
D526,484 S * 8/2006 Flint D3/283
D543,027 S 5/2007 Wang
D566,384 S 4/2008 Yanz et al.
D575,059 S * 8/2008 Cappiello D3/283
D620,708 S * 8/2010 Sanz D3/276

DESCRIPTION

FIG. 1 is a front perspective view of a craft machine carrying bag showing my new design;

FIG. 2 is a front view thereof;

FIG. 3 is a back view thereof;

FIG. 4 is a top view thereof;

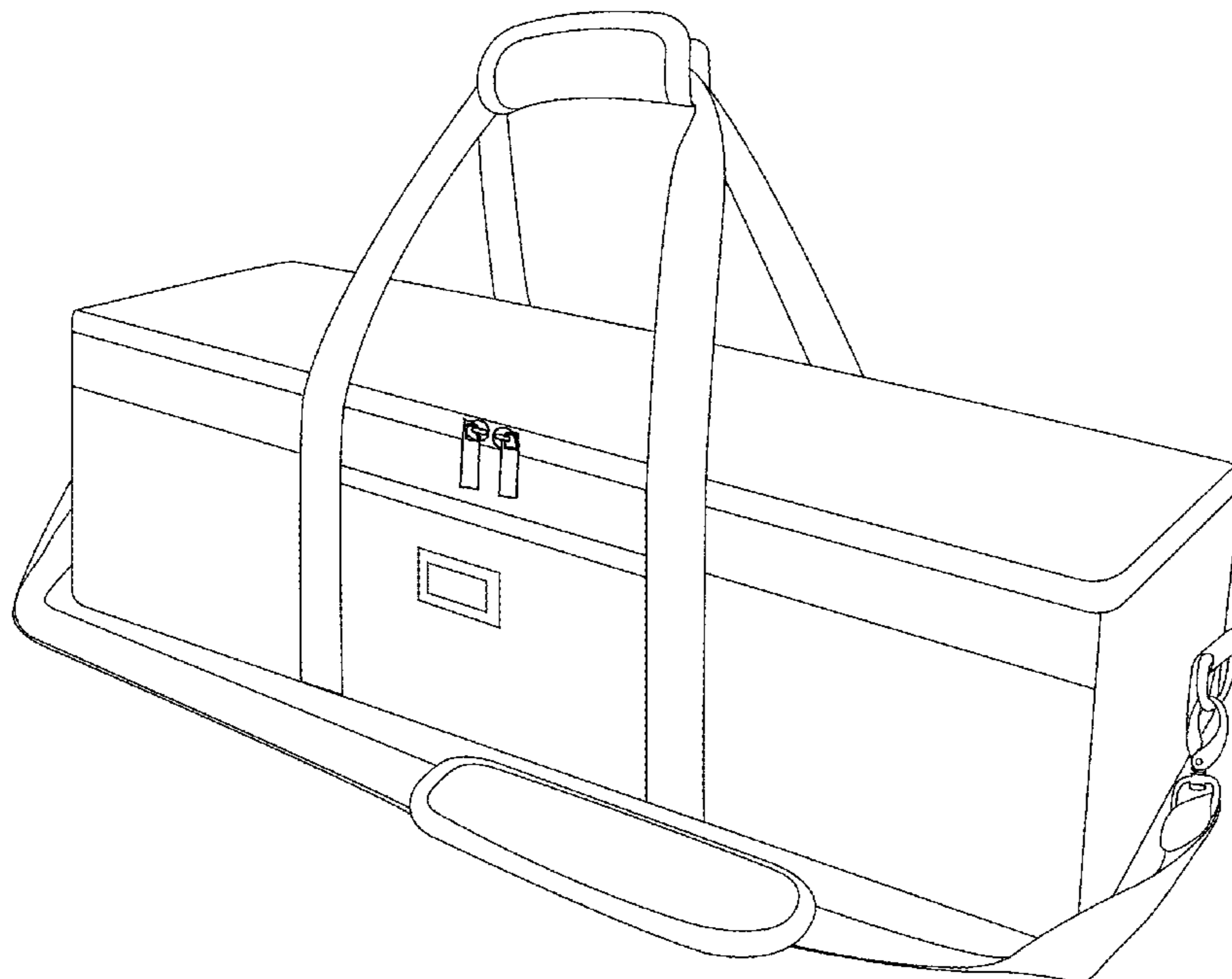
FIG. 5 is a bottom view thereof;

FIG. 6 is a left side view thereof; and,

FIG. 7 is a right side view thereof.

The broken lines illustrate portions of the craft machine carrying bag that form no part of the claimed design.

1 Claim, 7 Drawing Sheets



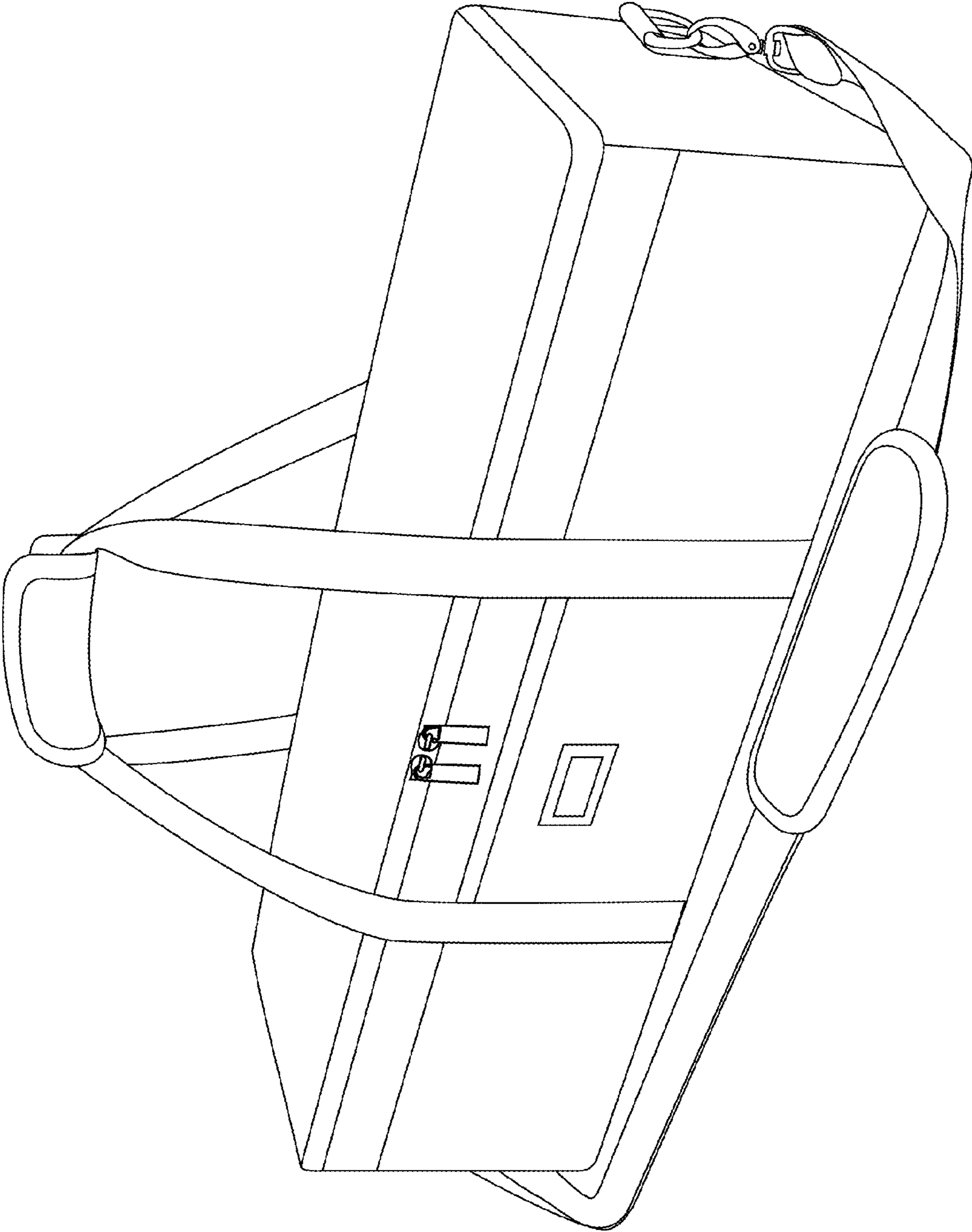


FIG. 1

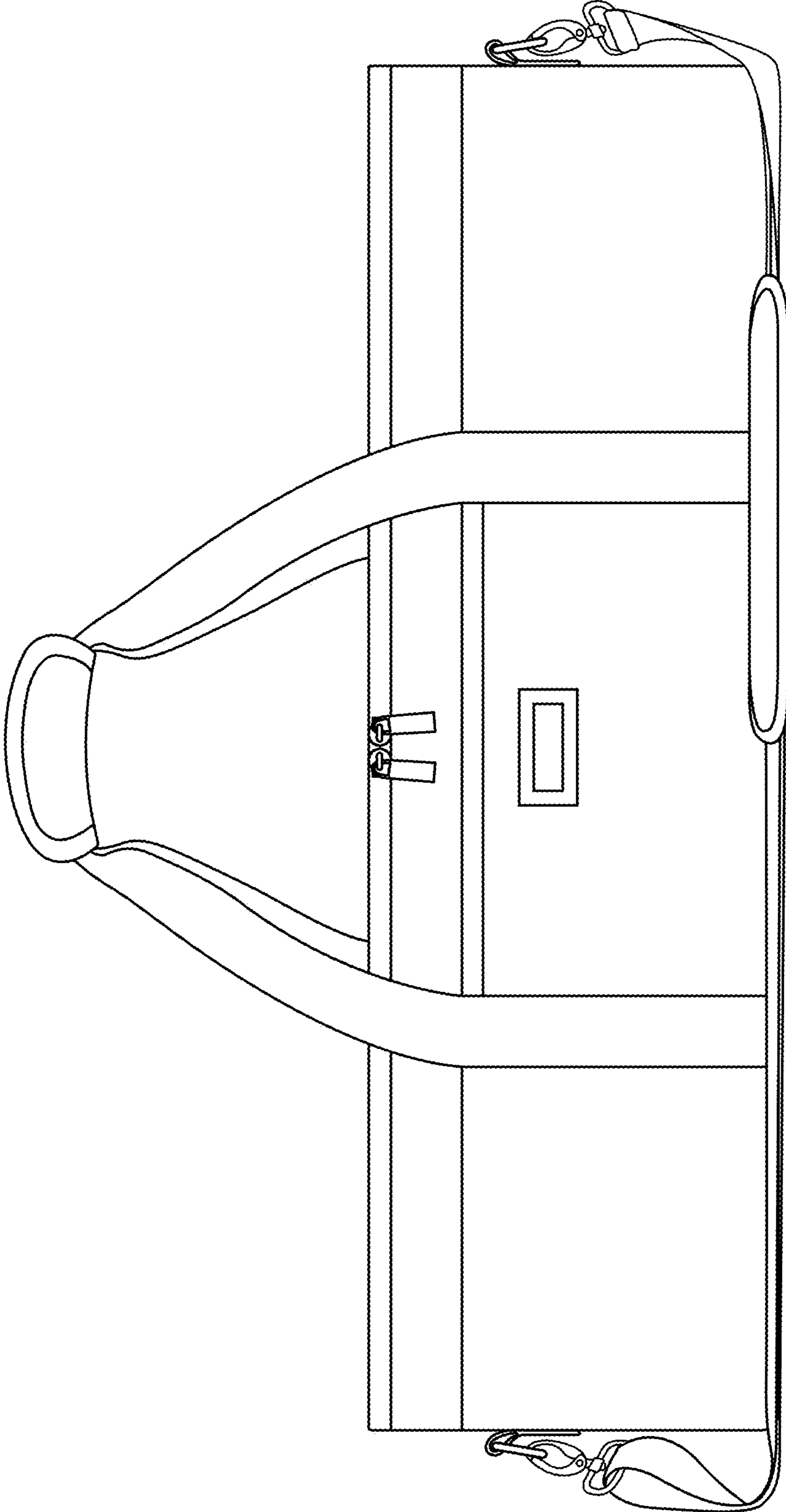


FIG. 2

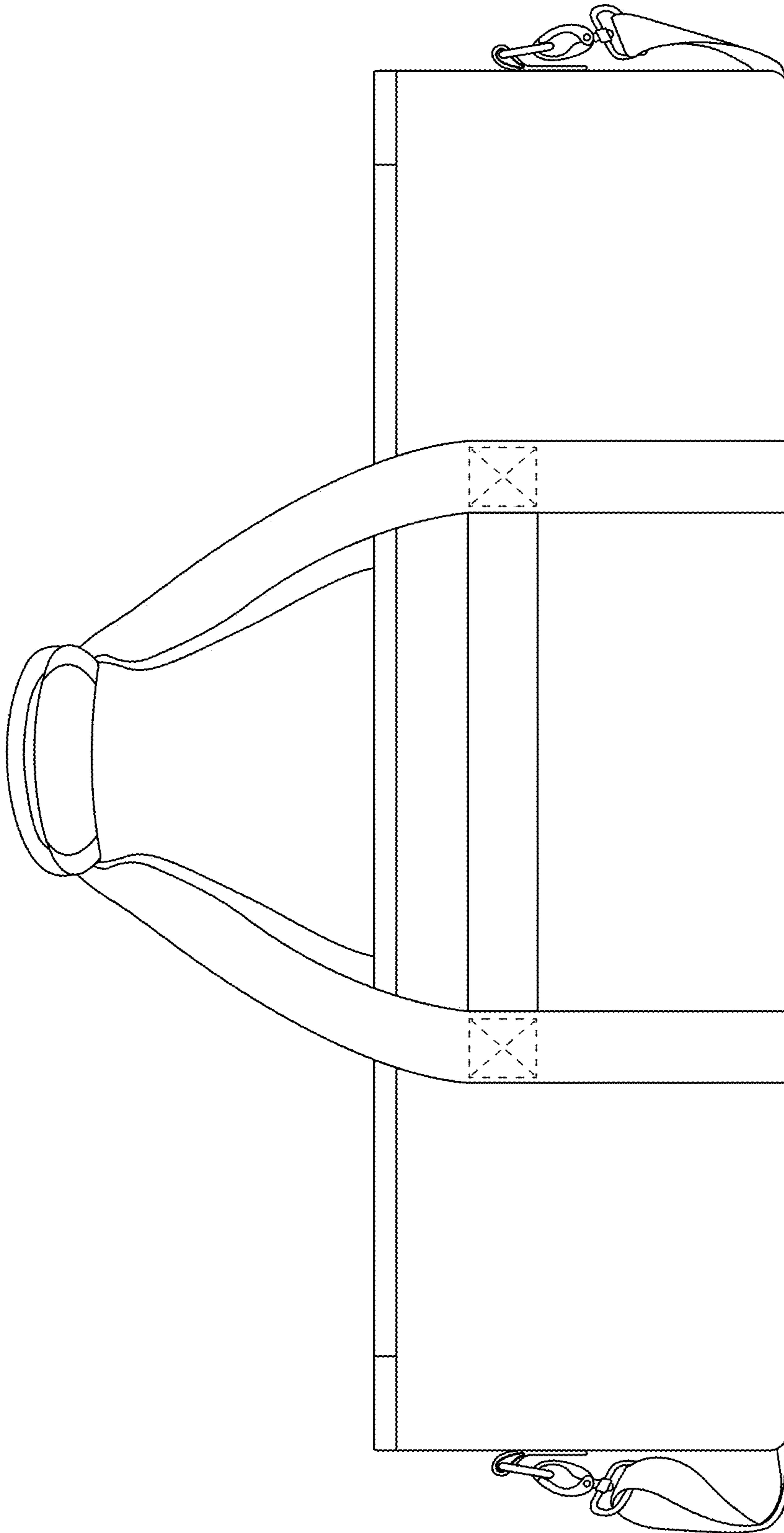


FIG. 3

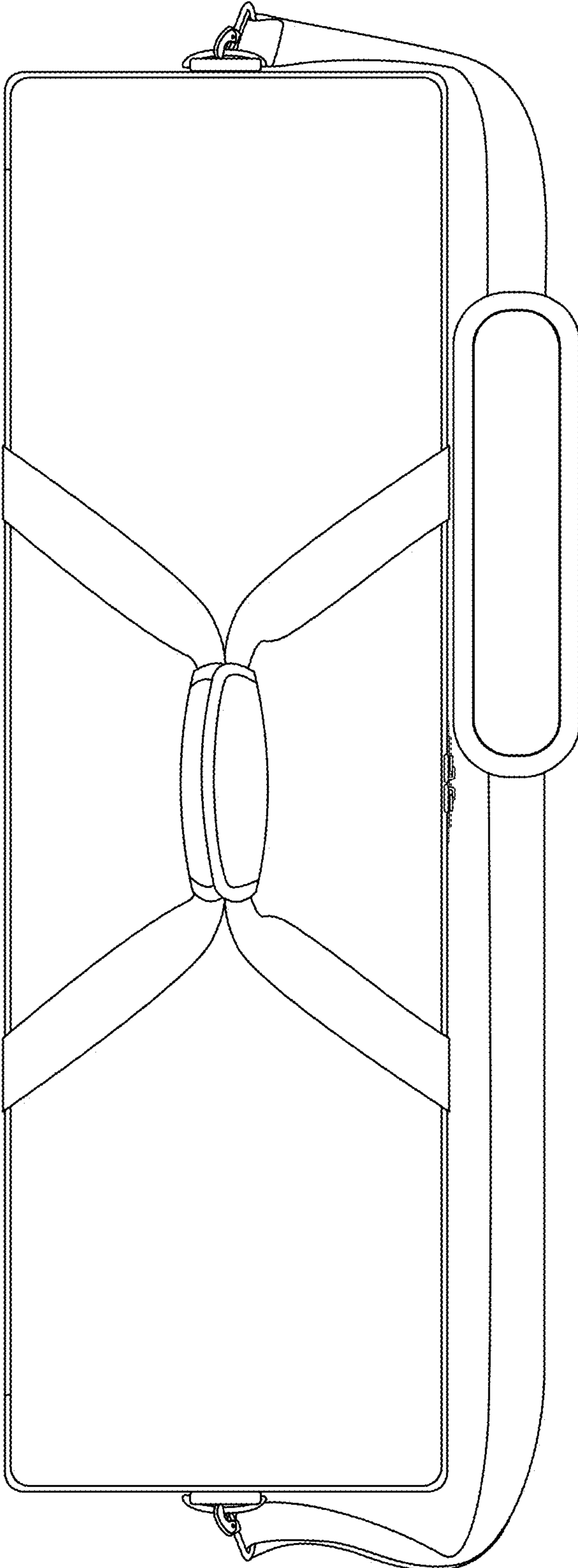


FIG. 4

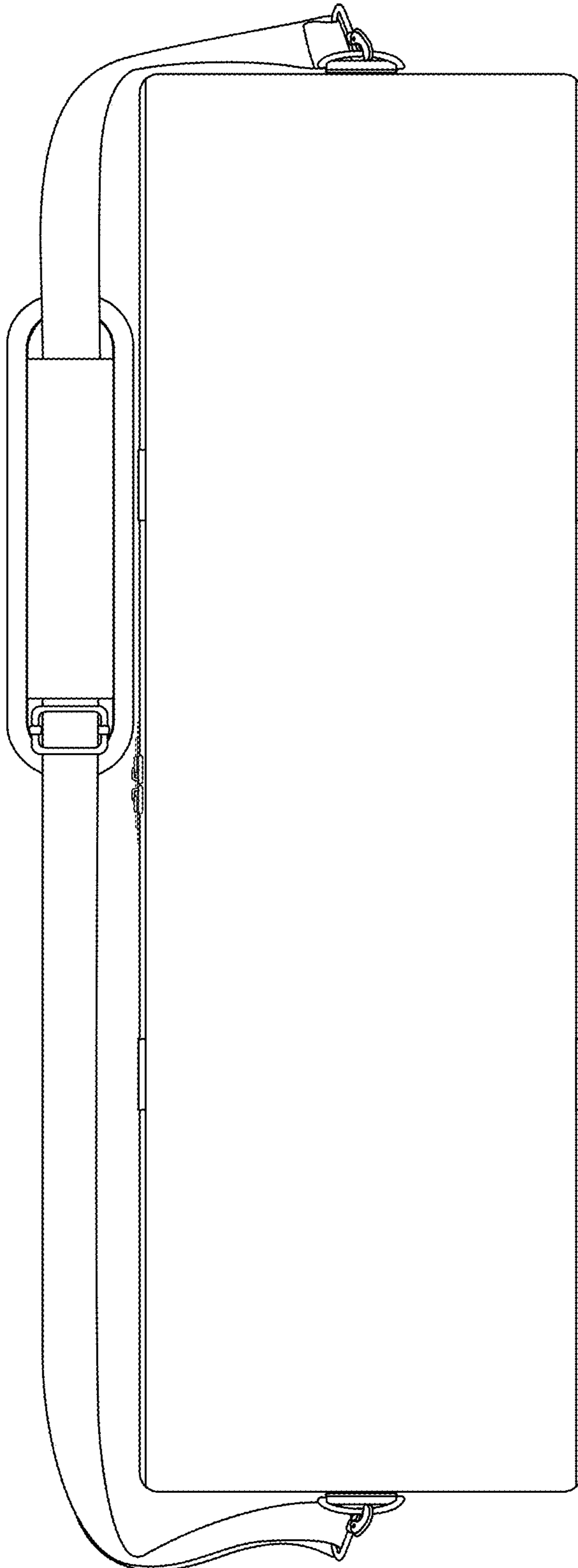


FIG. 5

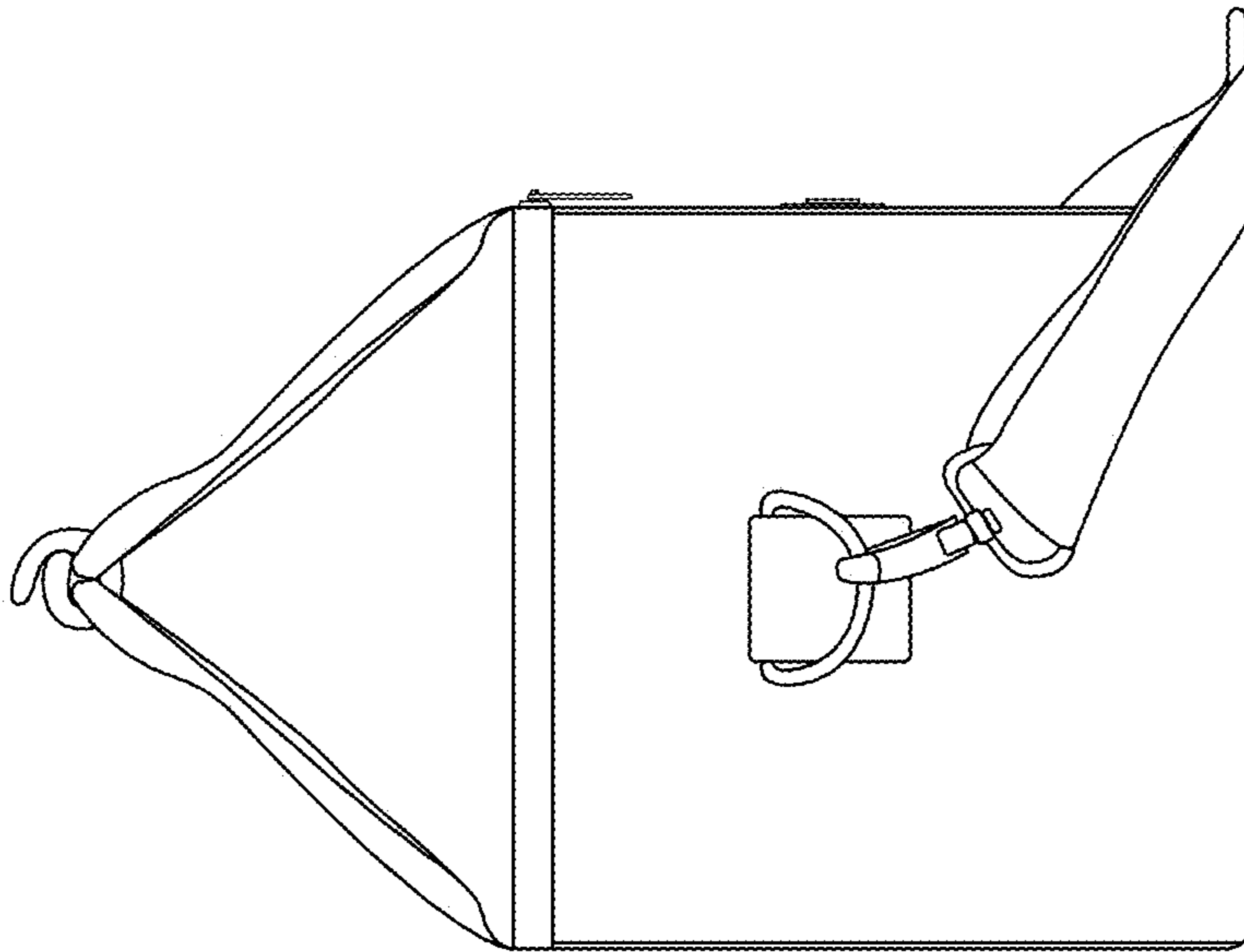


FIG. 6

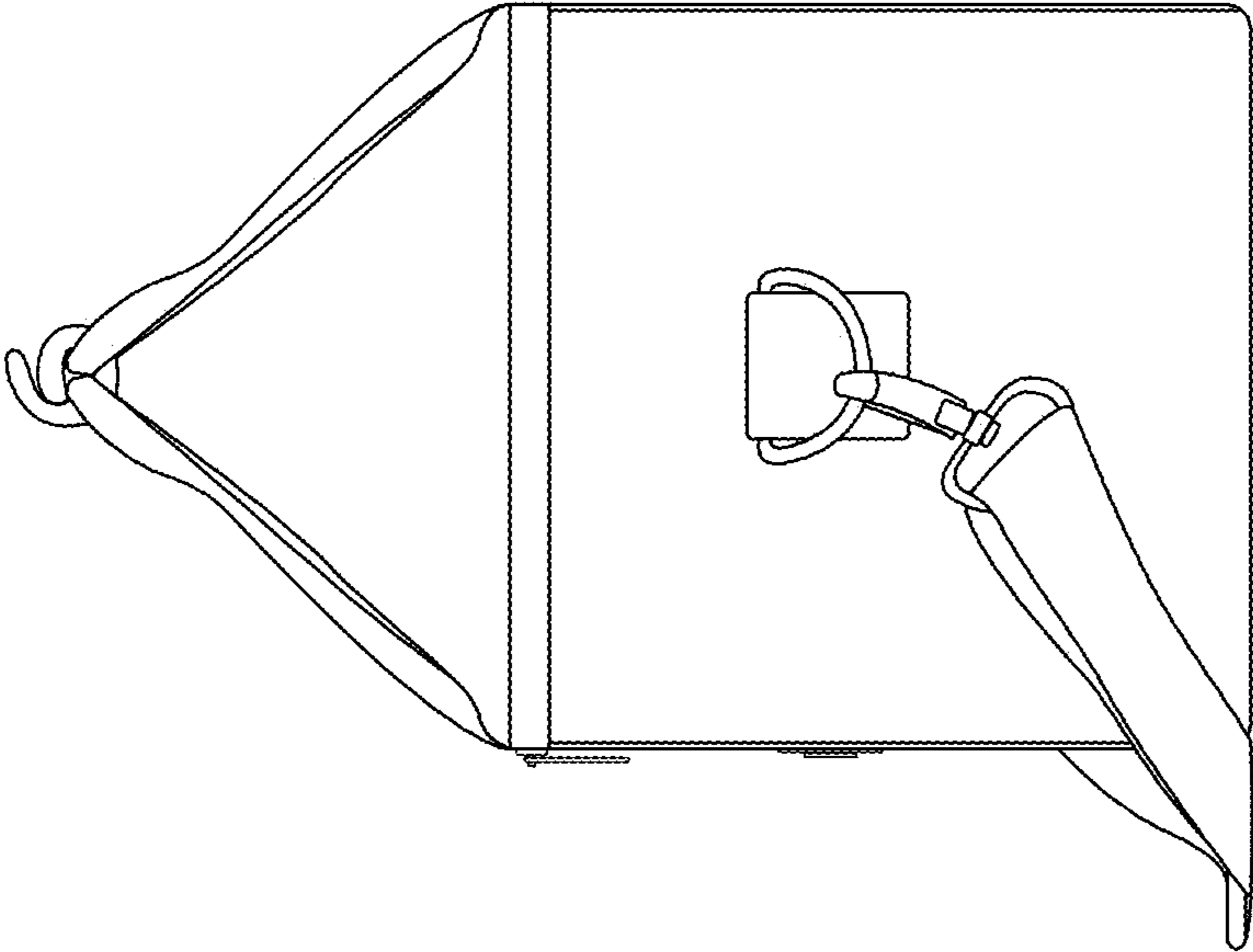


FIG. 7