



US00D881564S

(12) **United States Design Patent** (10) **Patent No.:** **US D881,564 S**
Lara (45) **Date of Patent:** **** Apr. 21, 2020**

(54) **CARD ORGANIZER FOR A WALLET**

(71) Applicant: **Jose Lara**, Greenville, SC (US)

(72) Inventor: **Jose Lara**, Greenville, SC (US)

(**) Term: **15 Years**

(21) Appl. No.: **29/610,976**

(22) Filed: **Jul. 18, 2017**

(51) **LOC (12) Cl.** **03-01**

(52) **U.S. Cl.**
USPC **D3/247; D3/318**

(58) **Field of Classification Search**
USPC D3/232-253, 273-277, 292, 303, 304,
D3/285, 287, 318
CPC .. A45C 1/024; A45C 3/04; A45C 3/06; A45C
3/08; A45C 3/10; A45C 7/0059; A45C
7/0077; A45C 13/08; A45C 13/26; A45C
2001/083
See application file for complete search history.

(56) **References Cited**

U.S. PATENT DOCUMENTS

1,670,343	A *	5/1928	Clemens	A45C 11/18 206/39.5
D134,884	S *	1/1943	Engelstein	D3/247
2,558,996	A *	7/1951	Ullmann	B42D 3/18 281/20
2,815,126	A *	12/1957	Deckers	B65D 81/00 206/441
D189,333	S *	11/1960	Hayden	D3/247
3,146,816	A *	9/1964	Osher	B42F 7/06 150/148
4,141,400	A *	2/1979	Mangan	A45C 11/182 206/39.6
4,671,332	A	6/1987	McPhee		
4,697,698	A	10/1987	Holdener		
D314,865	S *	2/1991	Tuisku	D3/247
5,288,942	A	2/1994	Godfrey		
D360,800	S *	8/1995	Temple	D6/626
6,707,382	B2	3/2004	Pedersen		

D515,134	S	2/2006	Stewart, III		
D527,899	S *	9/2006	Morehead	D3/247
D547,547	S *	7/2007	Maurion	D3/247
D671,315	S *	11/2012	Schneider	D3/247
D702,938	S *	4/2014	Morehead	D3/247
8,726,952	B2	5/2014	Jambunathan		
D717,049	S *	11/2014	Schneider	D3/318
D718,525	S	12/2014	Kim		
D728,230	S *	5/2015	Oas	D3/247
D760,496	S *	7/2016	Schioll	D3/247
D846,280	S *	4/2019	Bo	D3/303
10,420,403	B1 *	9/2019	Calder	A45C 1/06
2005/0252591	A1	11/2005	Beckley		

FOREIGN PATENT DOCUMENTS

WO 0155977 A1 8/2001

OTHER PUBLICATIONS

Set of 2 Heavy Duty Vinyl Credit Card ID Holder Wallet Insert, first listed on Amazon Mar. 21, 2016, amazon.com [online]. Retrieved Dec. 31, 2019 from internet <URL:https://www.amazon.com/Heavy-Credit-Holder-Wallet-Insert/dp/B01DEBVIQ6/ref=pd_>(Year: 2016).*

* cited by examiner

Primary Examiner — Cathron C Brooks
Assistant Examiner — Andrew T Nemeth

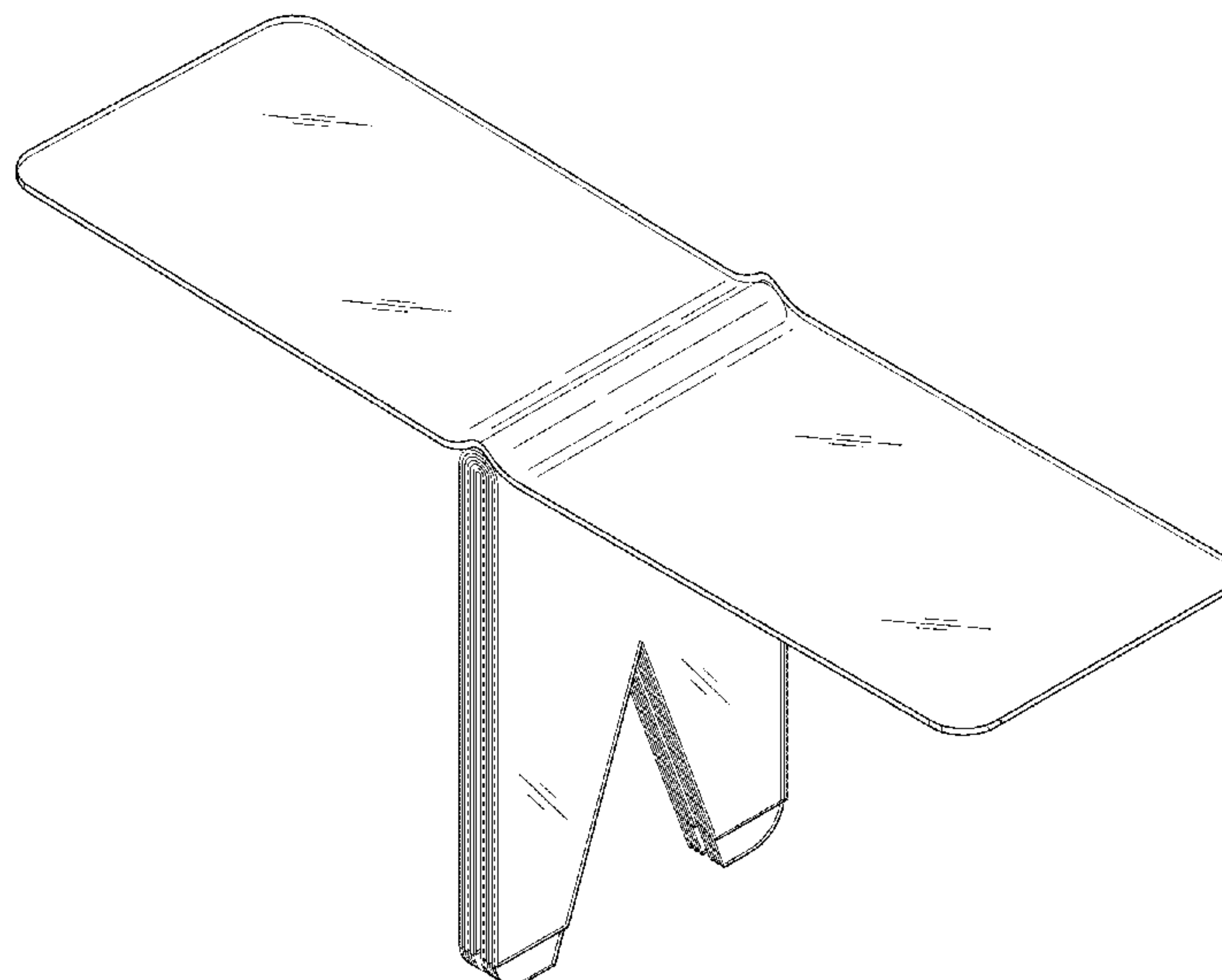
(57) **CLAIM**

I claim the ornamental design for a card organizer for a wallet, as shown and described.

DESCRIPTION

FIG. 1 is a front view of the card organizer for a wallet.
FIG. 2 is a back view of the claimed design.
FIG. 3 is a side view of the claimed design.
FIG. 4 is a top view of the claimed design.
FIG. 5 is a bottom view of the claimed design; and,
FIG. 6 is a perspective view of the claimed design.

1 Claim, 6 Drawing Sheets



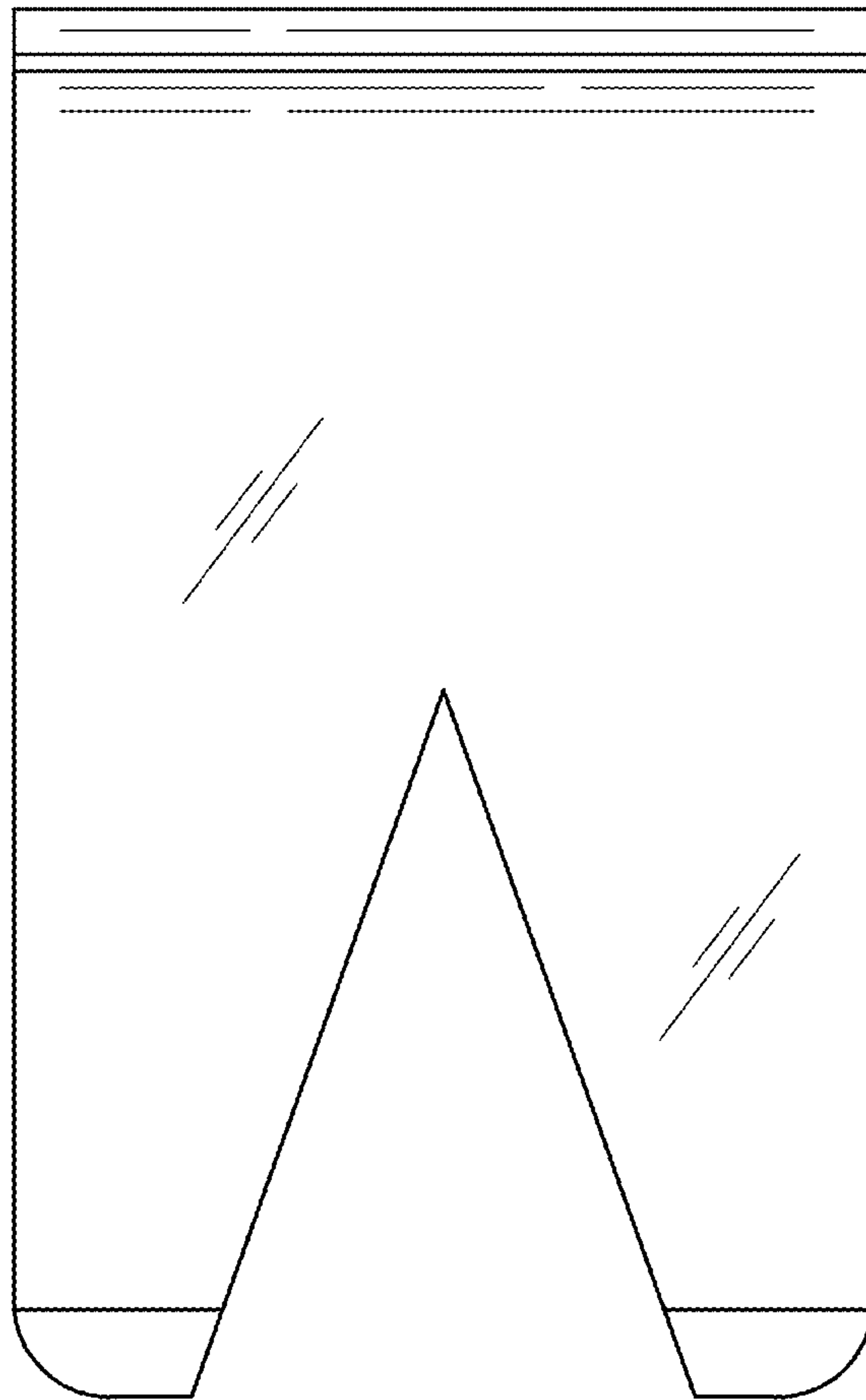


FIG. 1

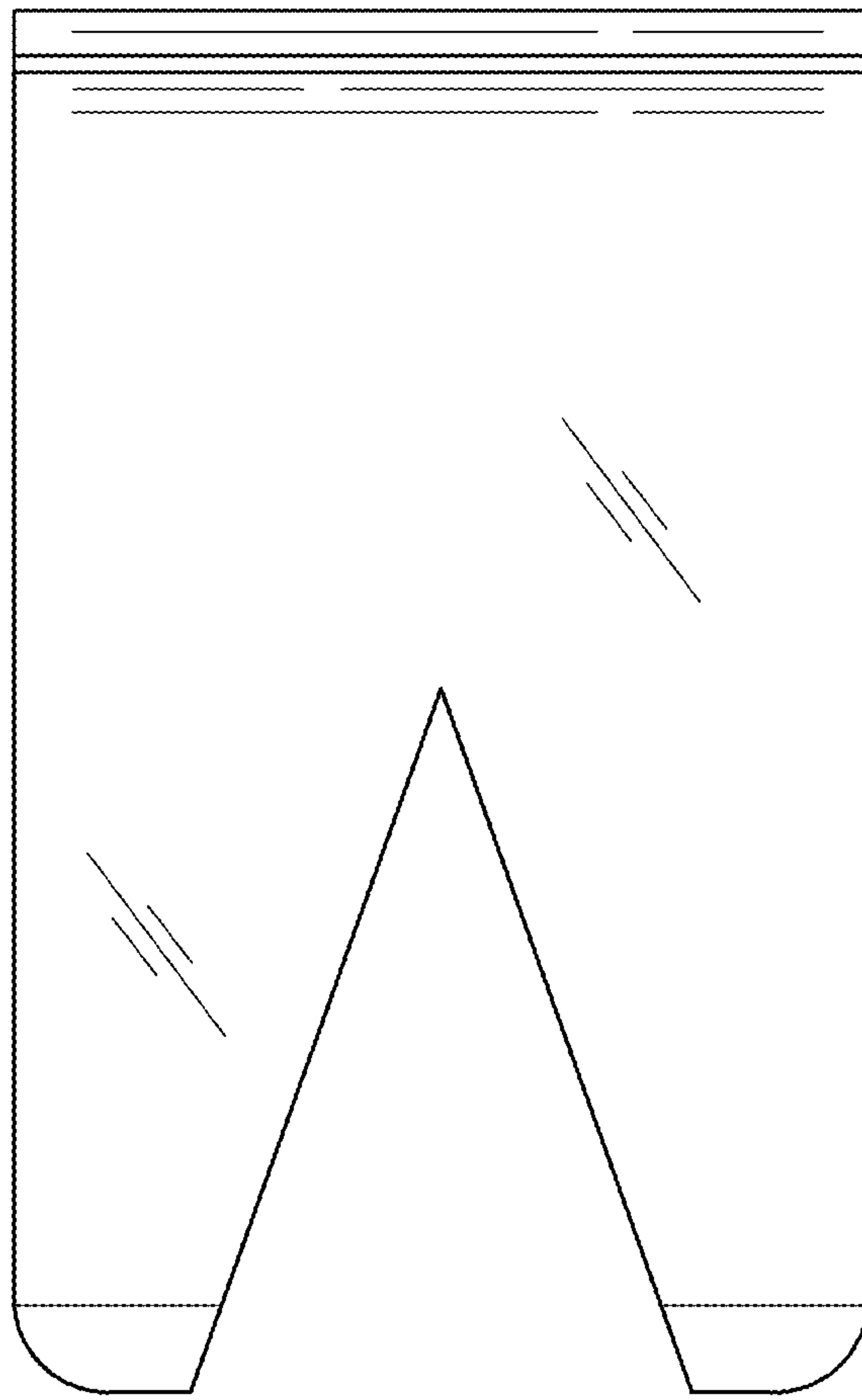


FIG. 2

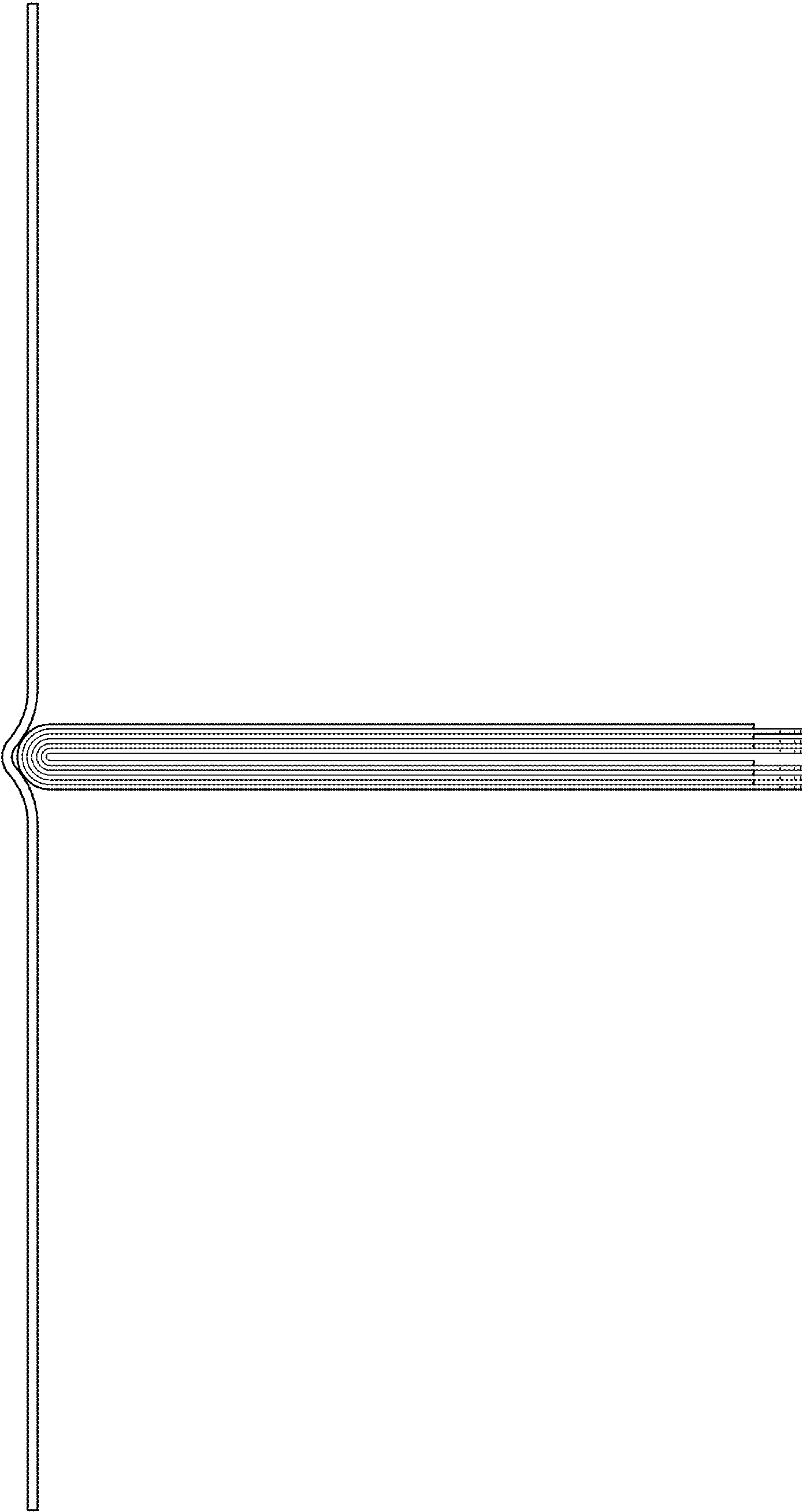


FIG. 3

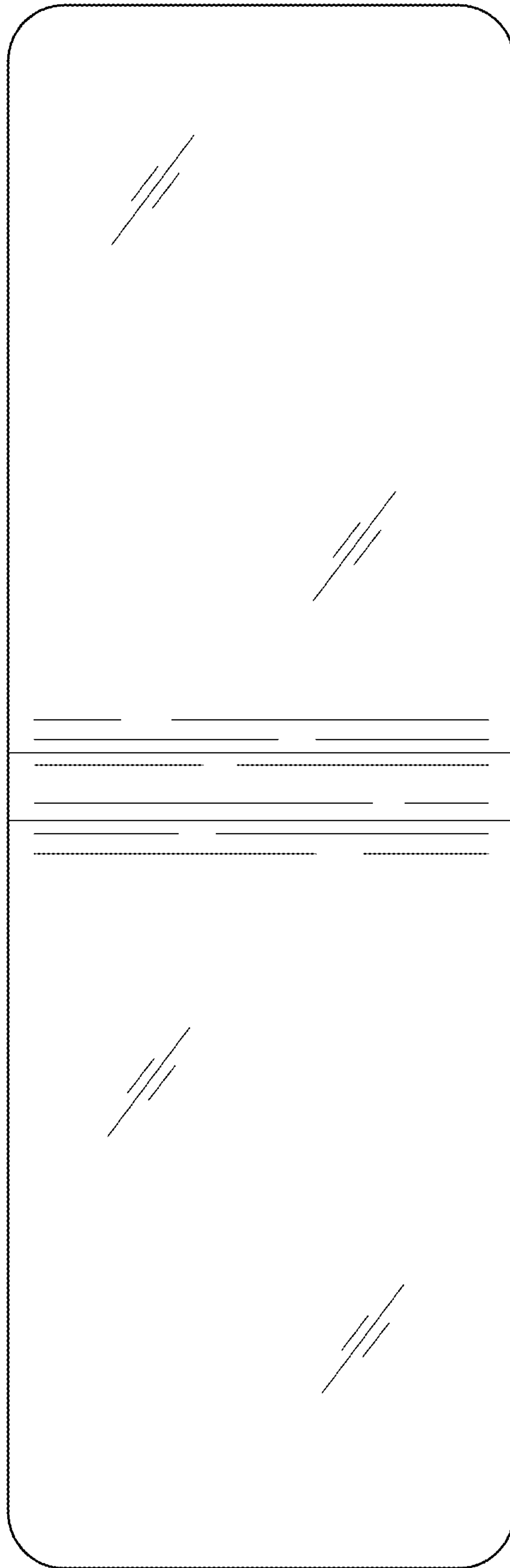


FIG. 4

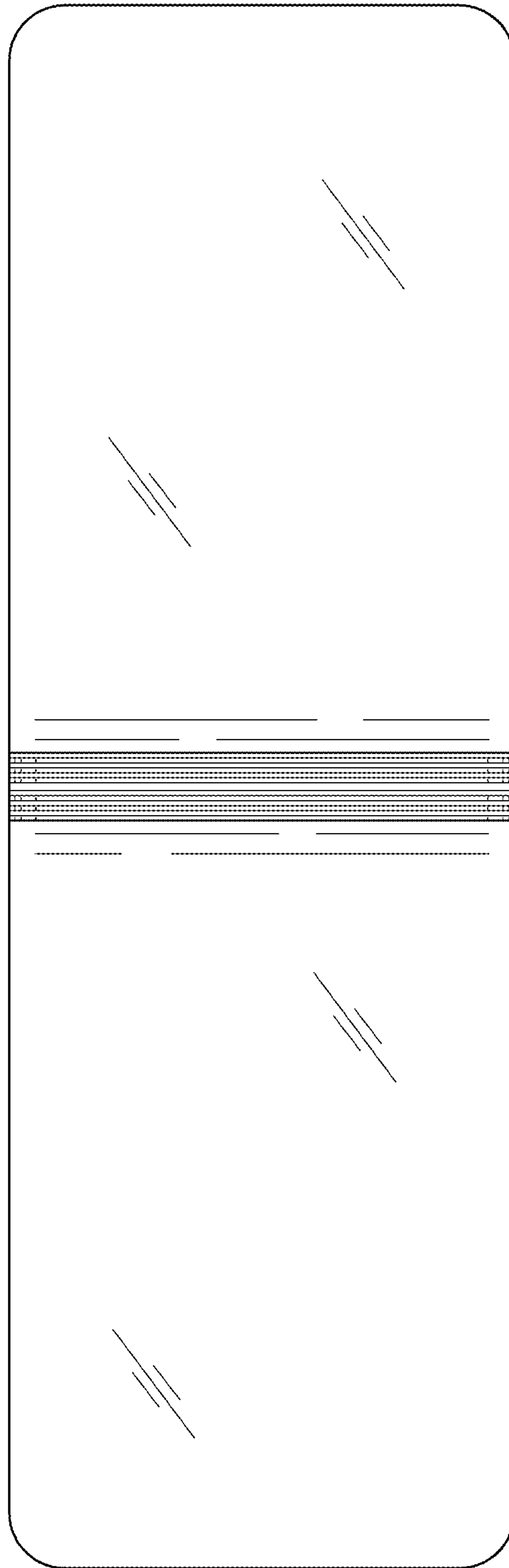


FIG. 5

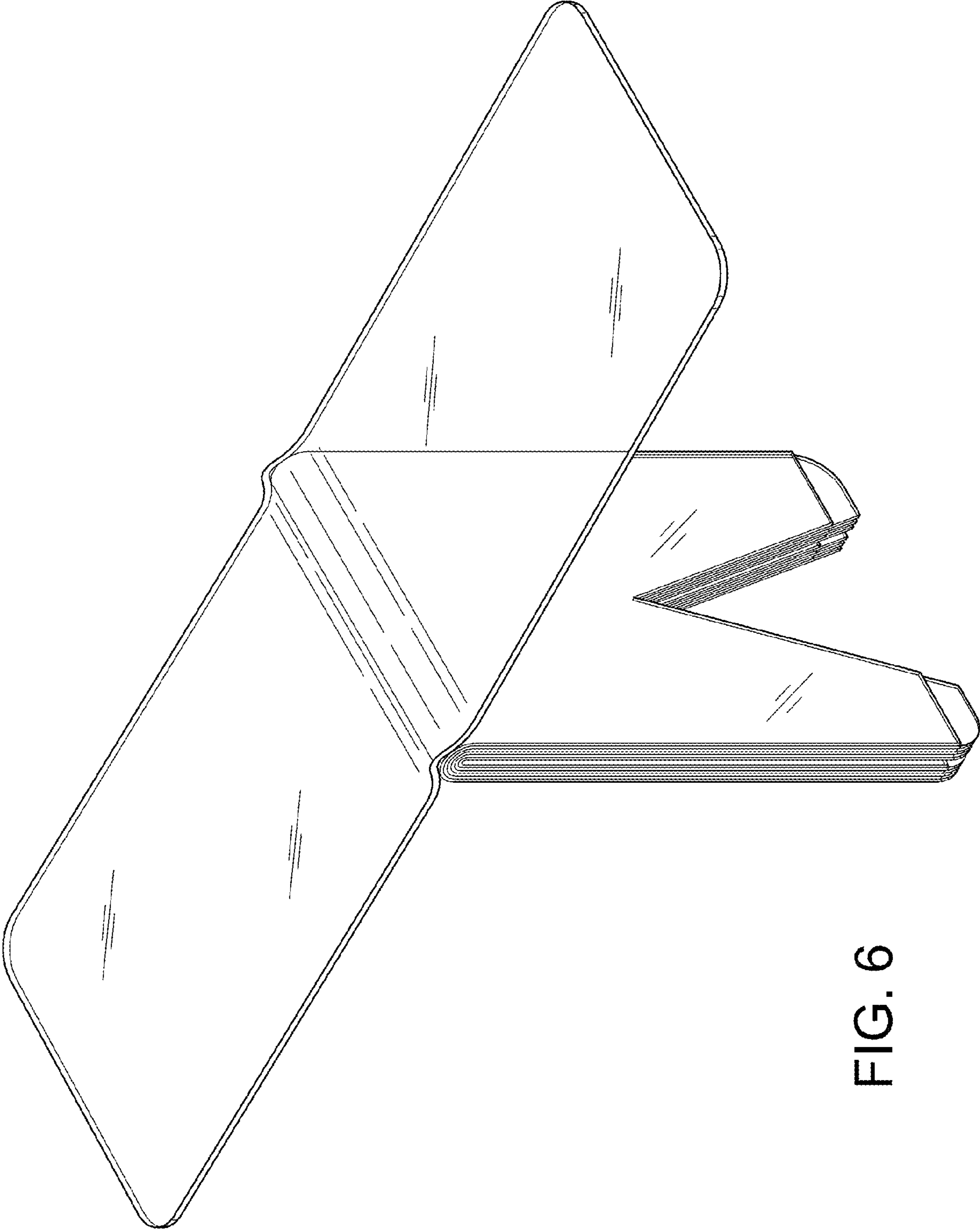


FIG. 6