



US00D881559S

(12) **United States Design Patent** (10) **Patent No.:** **US D881,559 S**  
**Amat** (45) **Date of Patent:** **\*\* Apr. 21, 2020**

(54) **HANDBAG**  
(71) Applicant: **J. Choo Limited**, London (GB)  
(72) Inventor: **Lina Amat**, London (GB)  
(73) Assignee: **J. Choo Limited**, London (GB)  
(\*\*) Term: **15 Years**  
(21) Appl. No.: **29/668,465**  
(22) Filed: **Oct. 30, 2018**

(30) **Foreign Application Priority Data**  
Jun. 4, 2018 (EM) ..... 005296514-0009  
(51) **LOC (12) Cl.** ..... **03-01**  
(52) **U.S. Cl.**  
USPC ..... **D3/240**  
(58) **Field of Classification Search**  
USPC ..... D3/232-233, 240-243, 245-246, 318  
CPC ..... A45C 3/06; A45C 1/024  
See application file for complete search history.

(56) **References Cited**  
**U.S. PATENT DOCUMENTS**  
D671,739 S \* 12/2012 Vilinsky ..... D3/232  
D675,444 S 2/2013 Holloway

D694,519 S 12/2013 Hannon  
D756,635 S 5/2016 Hannon  
D760,493 S \* 7/2016 Smith, Jr. .... D3/232  
D824,172 S 7/2018 Gerbelle

\* cited by examiner

*Primary Examiner* — Holly H Baynham  
(74) *Attorney, Agent, or Firm* — Fross Zelnick Lehrman & Zissu, P.C.; Lawrence E. Apolzon, Esq.

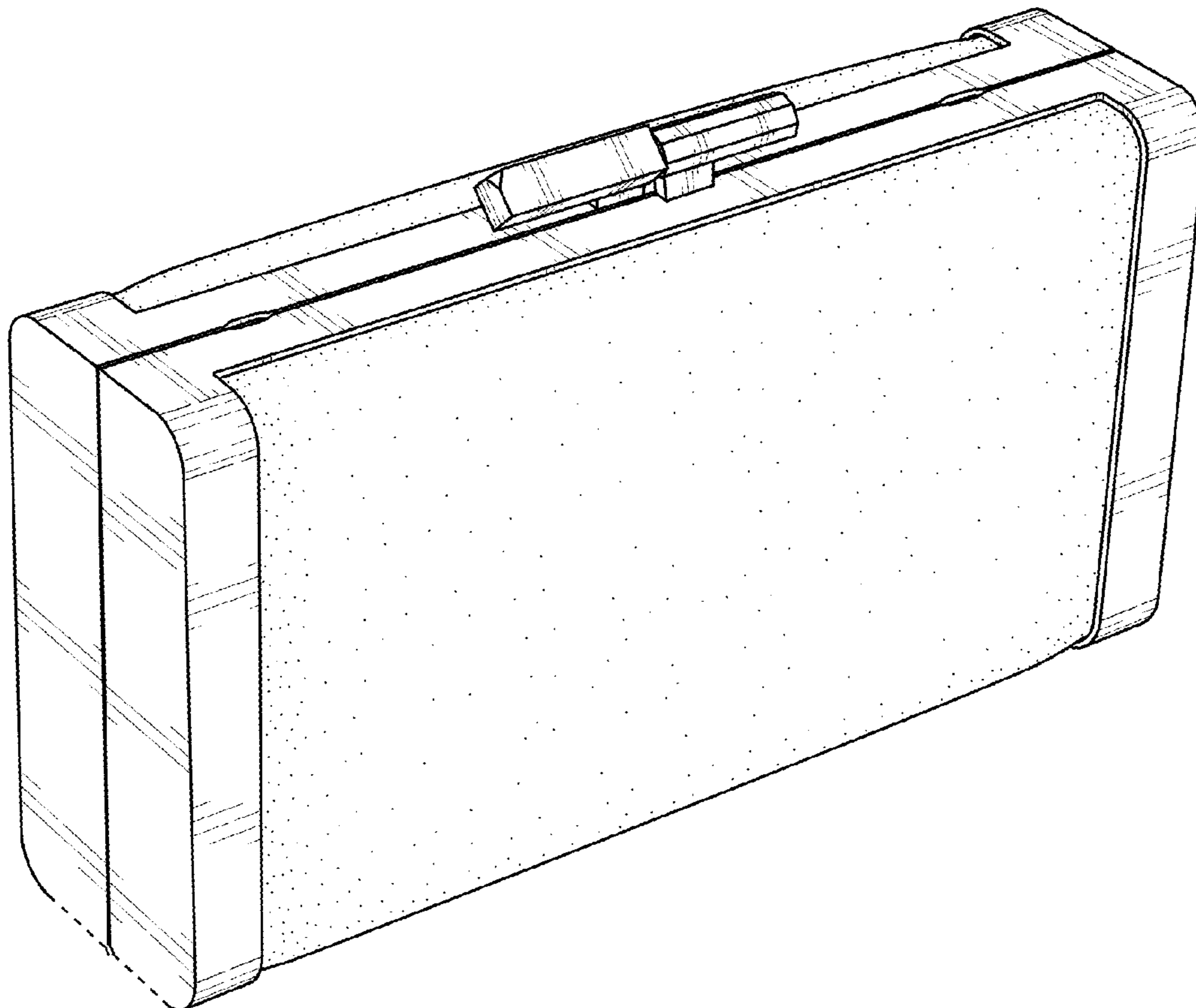
(57) **CLAIM**

The ornamental design for a handbag, as shown and described.

**DESCRIPTION**

FIG. 1 is a front perspective view of a handbag showing my new design;  
FIG. 2 is a right side view thereof;  
FIG. 3 is a left side view thereof;  
FIG. 4 is a front view thereof;  
FIG. 5 is a back view thereof;  
FIG. 6 is a top view thereof; and,  
FIG. 7 is a bottom view thereof.  
The broken lines showing of portions of the body of the bag, and closure mechanisms in the drawings shows unclaimed subject matter.

**1 Claim, 4 Drawing Sheets**



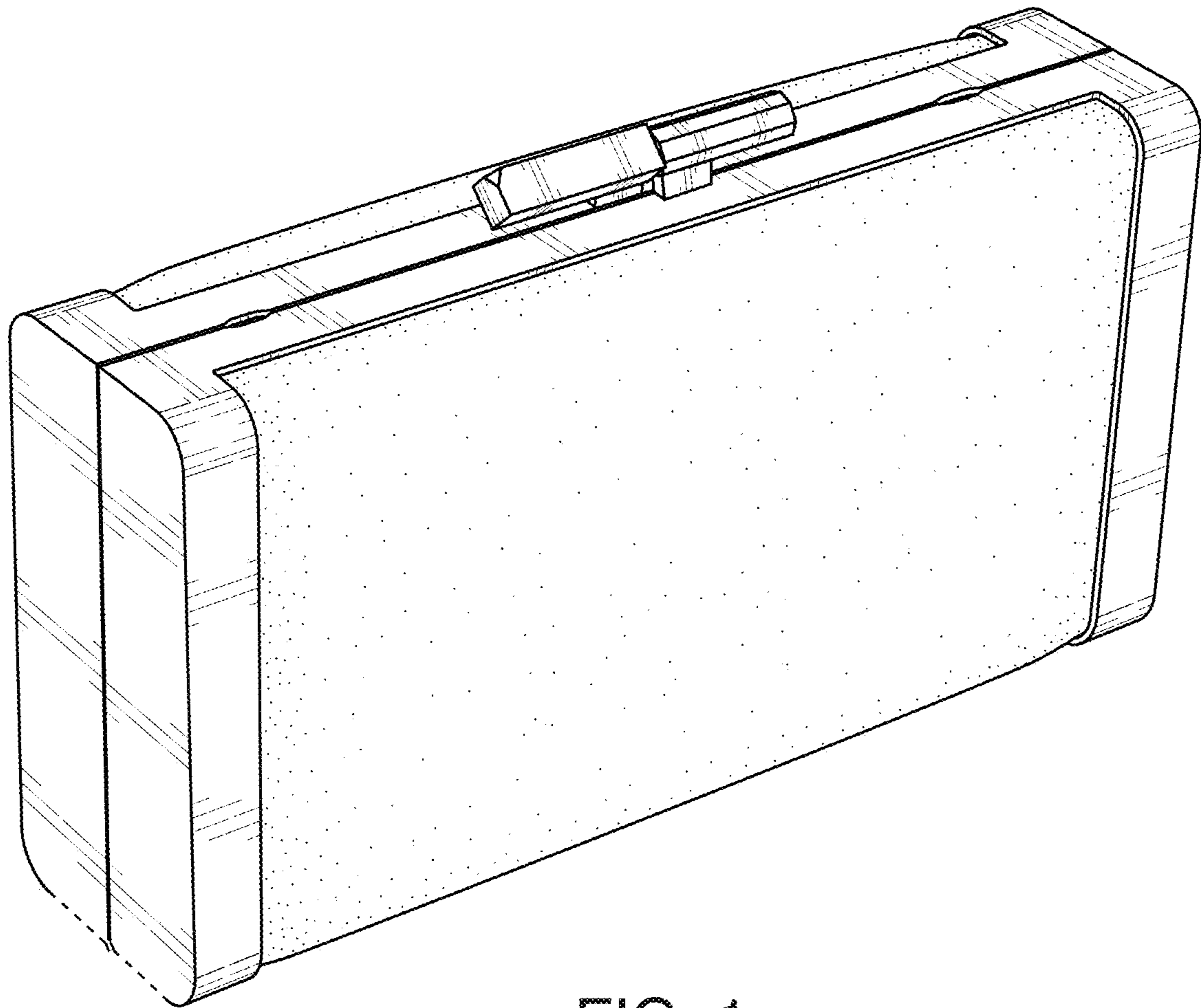


FIG. 1

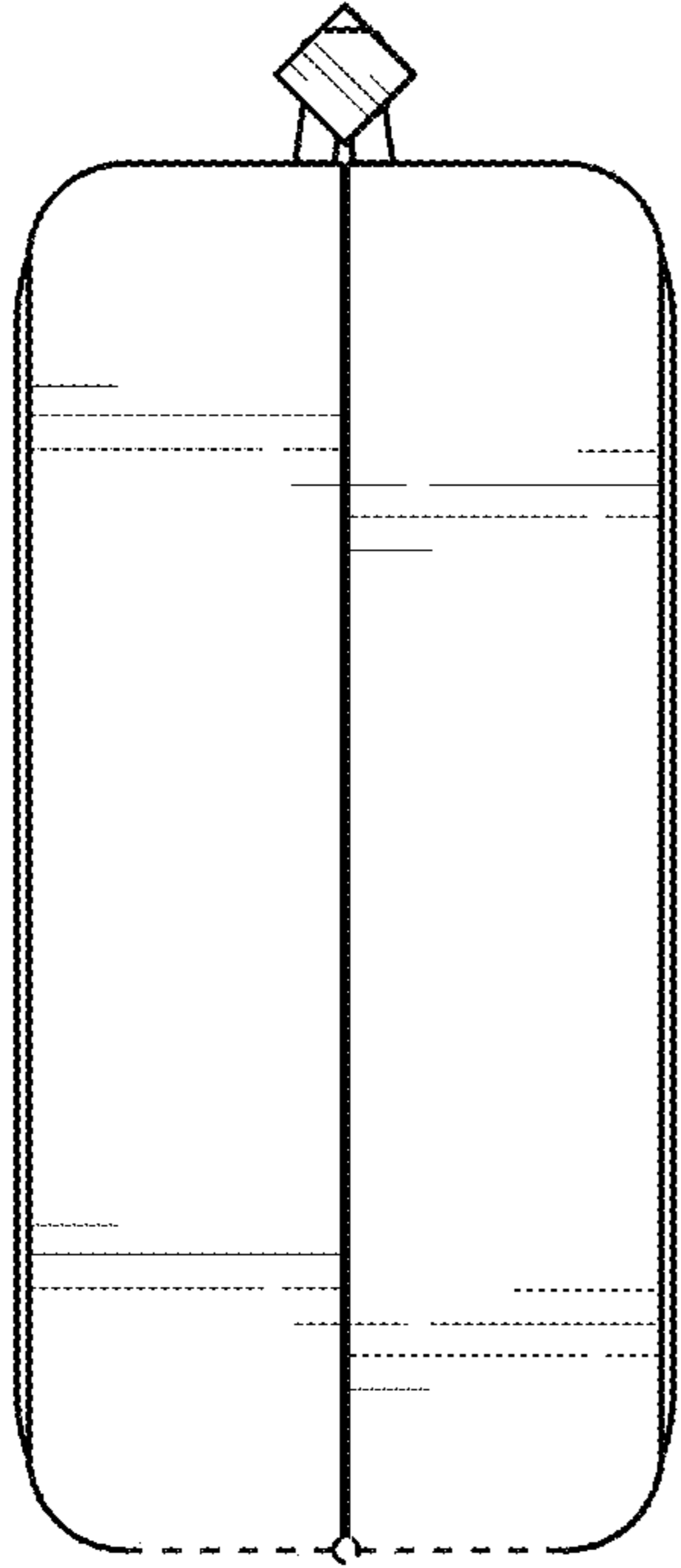


FIG. 2

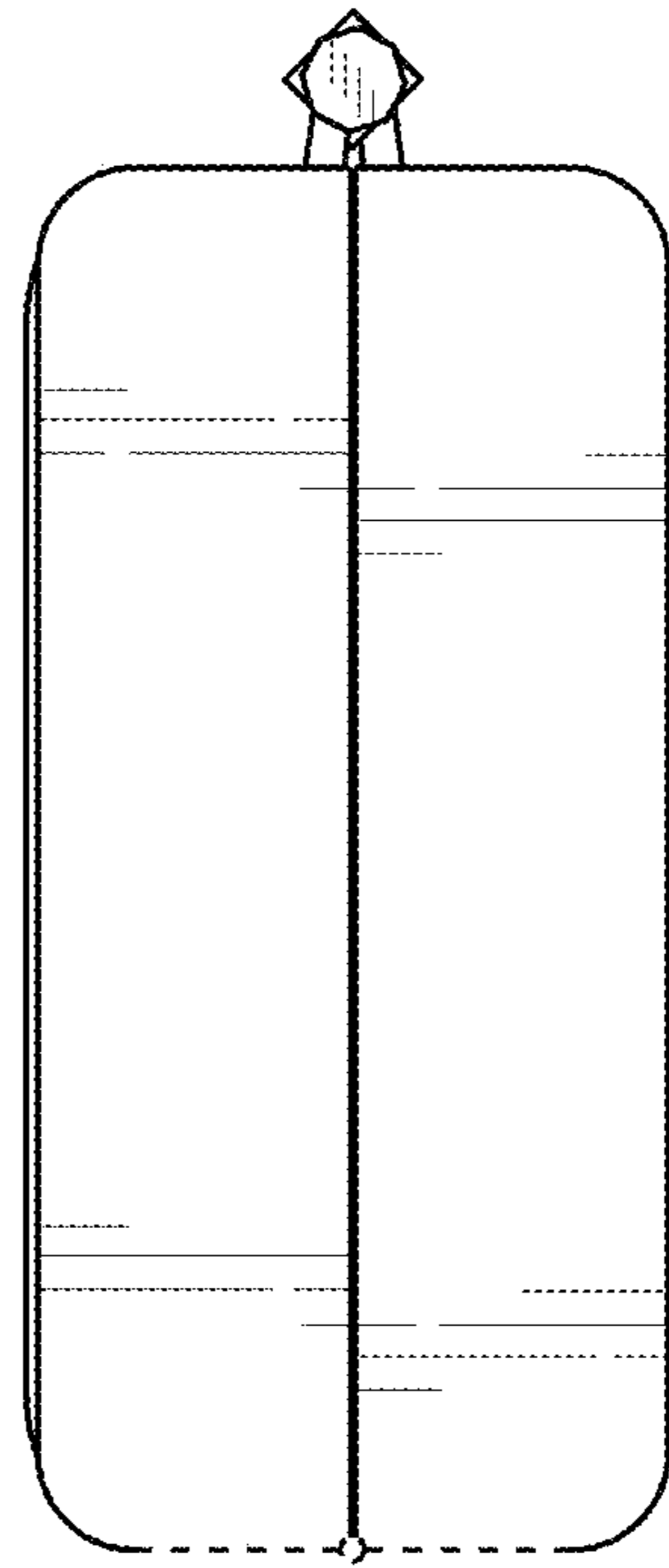


FIG. 3

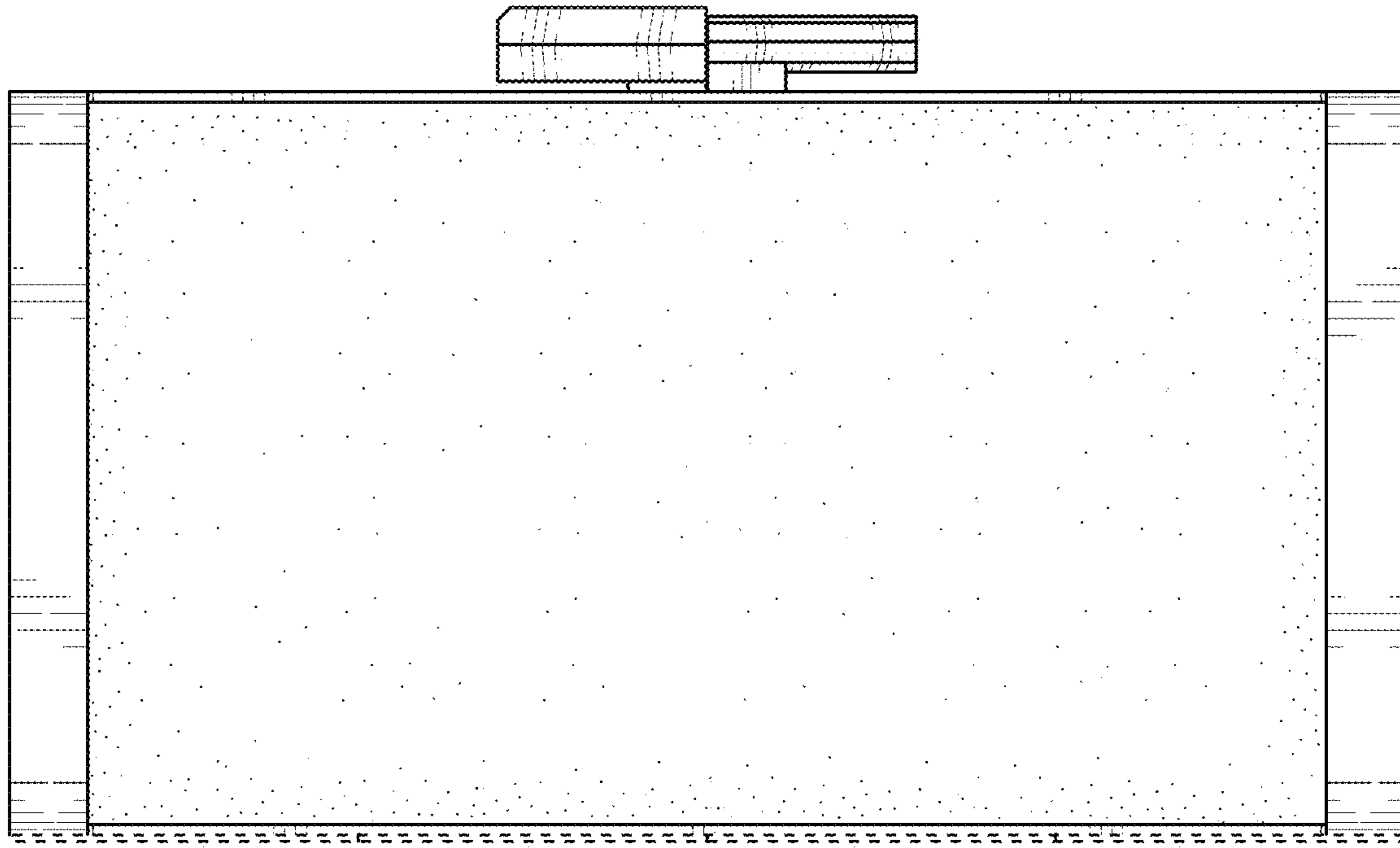


FIG. 4

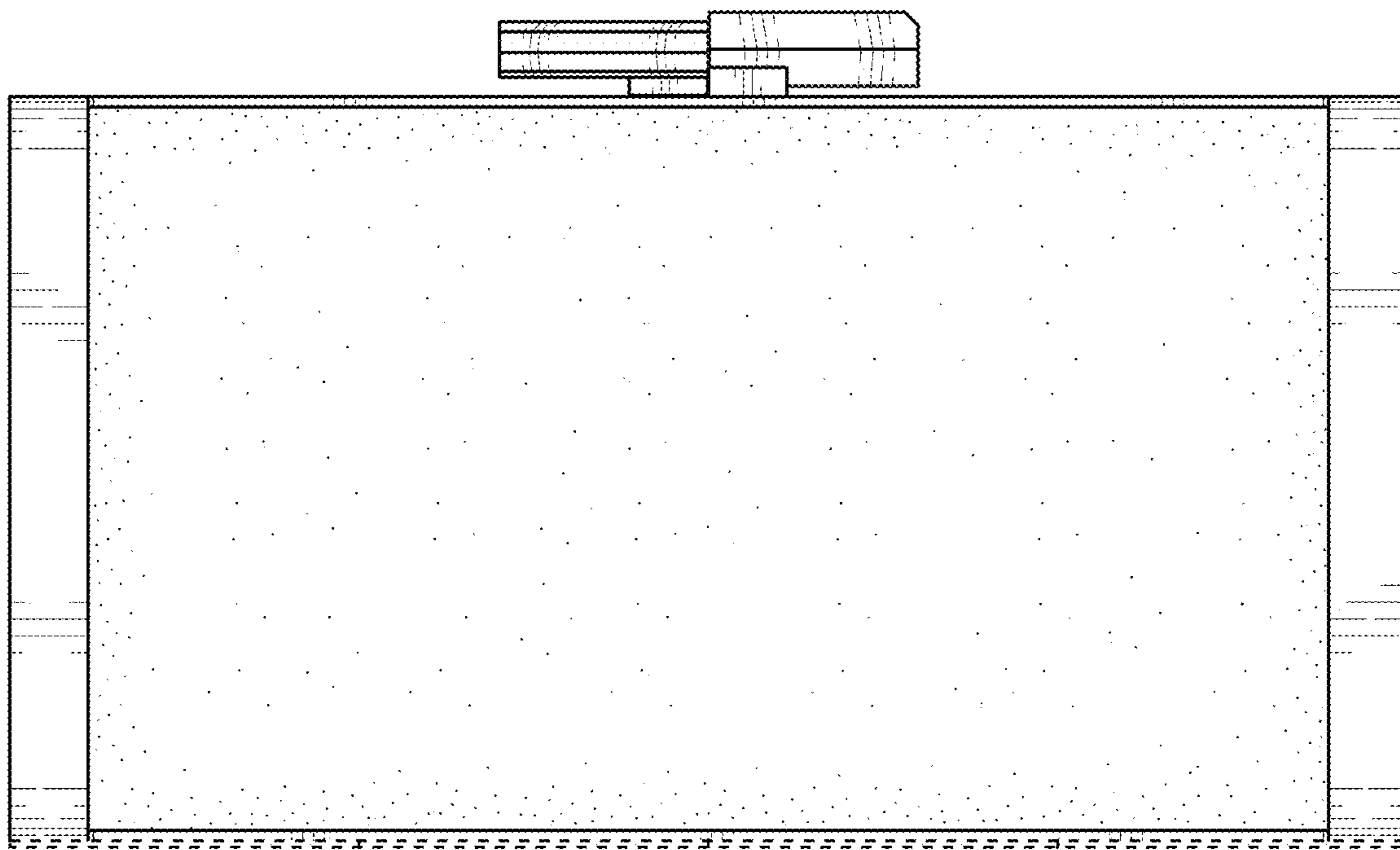


FIG. 5

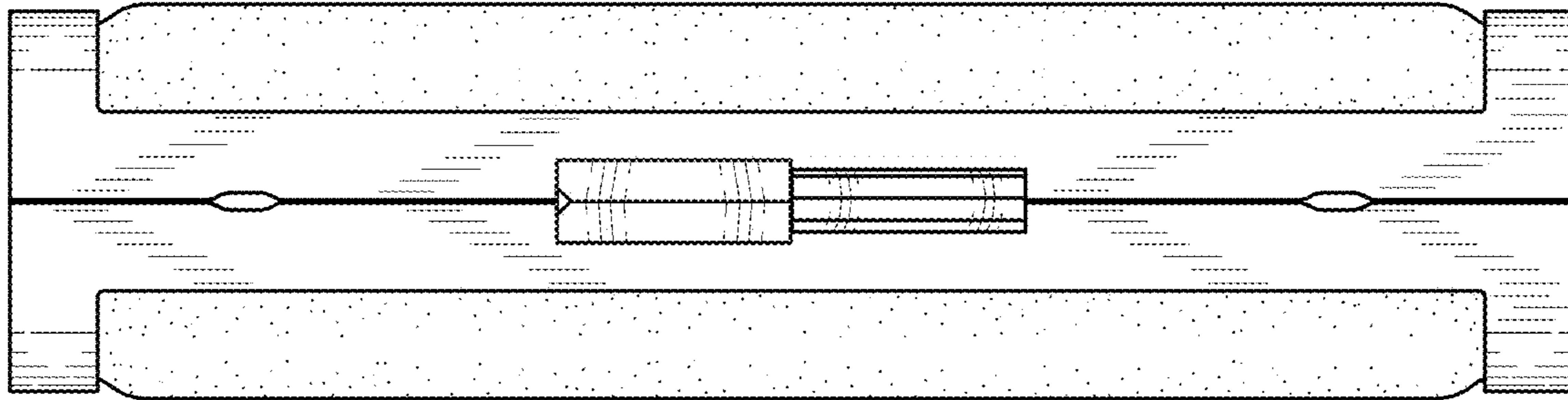


FIG. 6

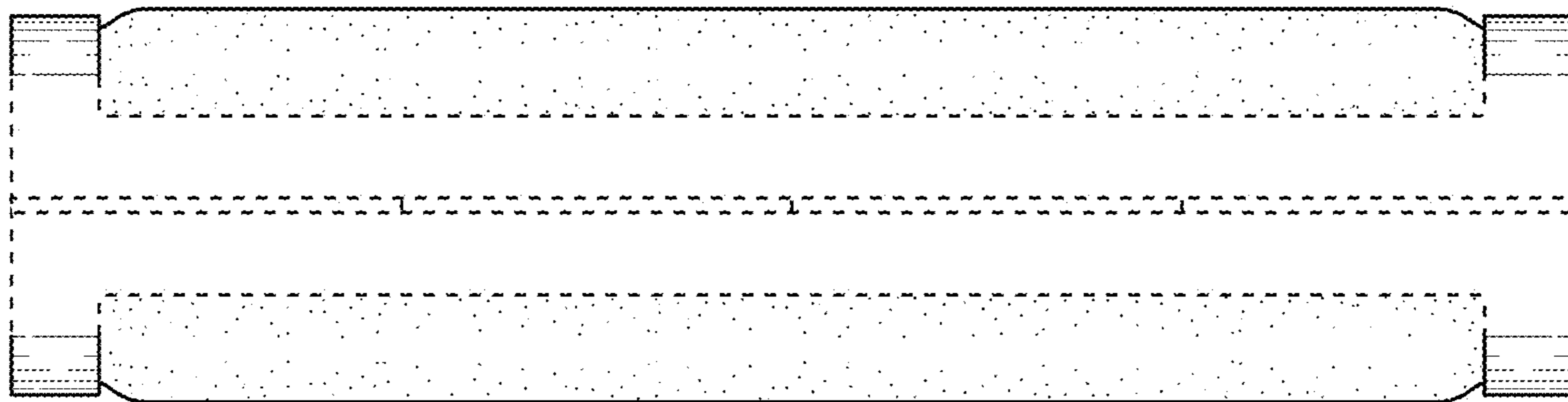


FIG. 7