



US00D881558S

(12) **United States Design Patent**
Liang et al.

(10) **Patent No.:** **US D881,558 S**

(45) **Date of Patent:** **** Apr. 21, 2020**

(54) **BAG**

(71) Applicant: **Shenzhen Aurotech Technology Co., Ltd**, Shenzhen (CN)

(72) Inventors: **Yaqiong Liang**, Shenzhen (CN);
Aharon Kredi Kohen, New York, NY (US)

(**) Term: **15 Years**

(21) Appl. No.: **29/716,945**

(22) Filed: **Dec. 13, 2019**

(51) **LOC (12) Cl.** **03-01**

(52) **U.S. Cl.**
USPC **D3/232; D3/249**

(58) **Field of Classification Search**
USPC D3/232–233, 245–246, 249
CPC .. A45C 1/024; A45C 1/06; A45C 3/06; A45C 3/08

See application file for complete search history.

(56) **References Cited**

U.S. PATENT DOCUMENTS

D252,355 S	*	7/1979	Uber	224/600
D343,951 S	*	2/1994	Petty	D3/243
D533,996 S	*	12/2006	Cassegrain	D3/232
D553,350 S	*	10/2007	Dvorak	D3/217

D562,551 S		2/2008	Liu	
D600,010 S	*	9/2009	Verhoeven D3/232
D762,063 S	*	7/2016	Schulman D3/246
D767,880 S	*	10/2016	Fricano D3/232
D770,174 S	*	11/2016	Smith, Sr. D3/232
D784,687 S	*	4/2017	Miller D3/232
D784,689 S		4/2017	Dumas	
D847,500 S		5/2019	Lagerfeld	

* cited by examiner

Primary Examiner — Holly H Baynham

(74) *Attorney, Agent, or Firm* — HYIP

(57) **CLAIM**

The ornamental design for a bag, as shown and described.

DESCRIPTION

FIG. 1 is a first perspective view of a bag showing my new design;

FIG. 2 is a second perspective thereof;

FIG. 3 is a front view thereof;

FIG. 4 is a back view thereof;

FIG. 5 is a left side view thereof;

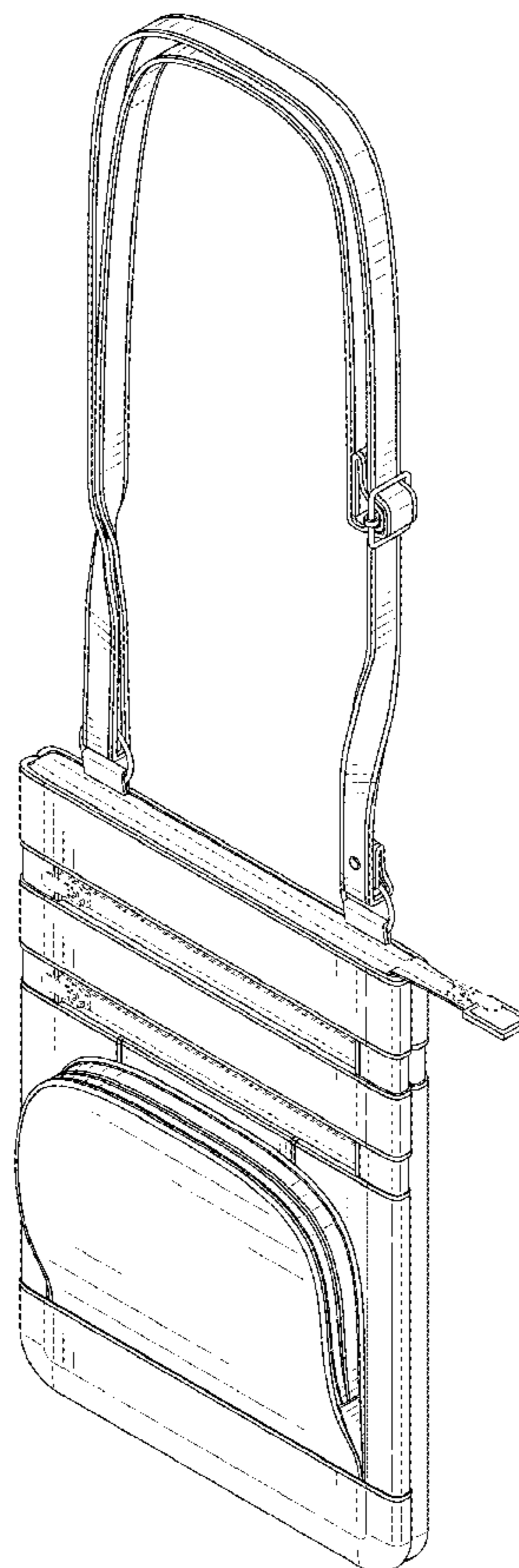
FIG. 6 is a right side view thereof;

FIG. 7 is a top view thereof; and,

FIG. 8 is a bottom view thereof.

The broken lines shown in the drawings depict portions of the bag in which the design is embodied that form no part of the claimed design.

1 Claim, 8 Drawing Sheets



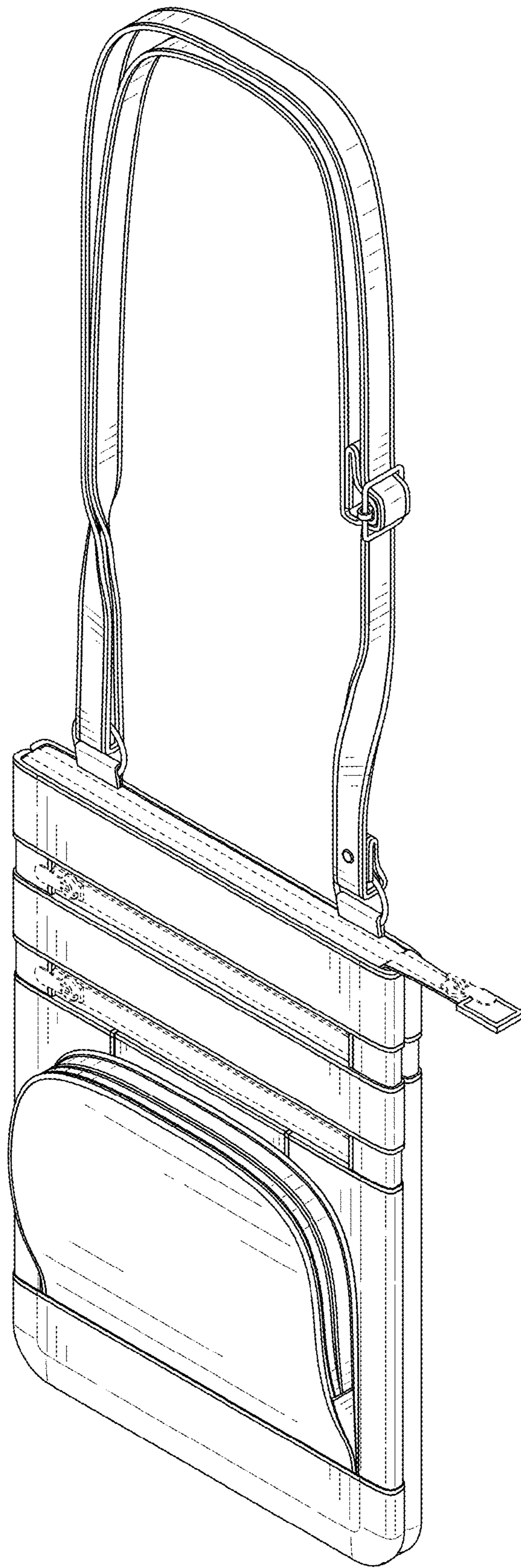


FIG. 1

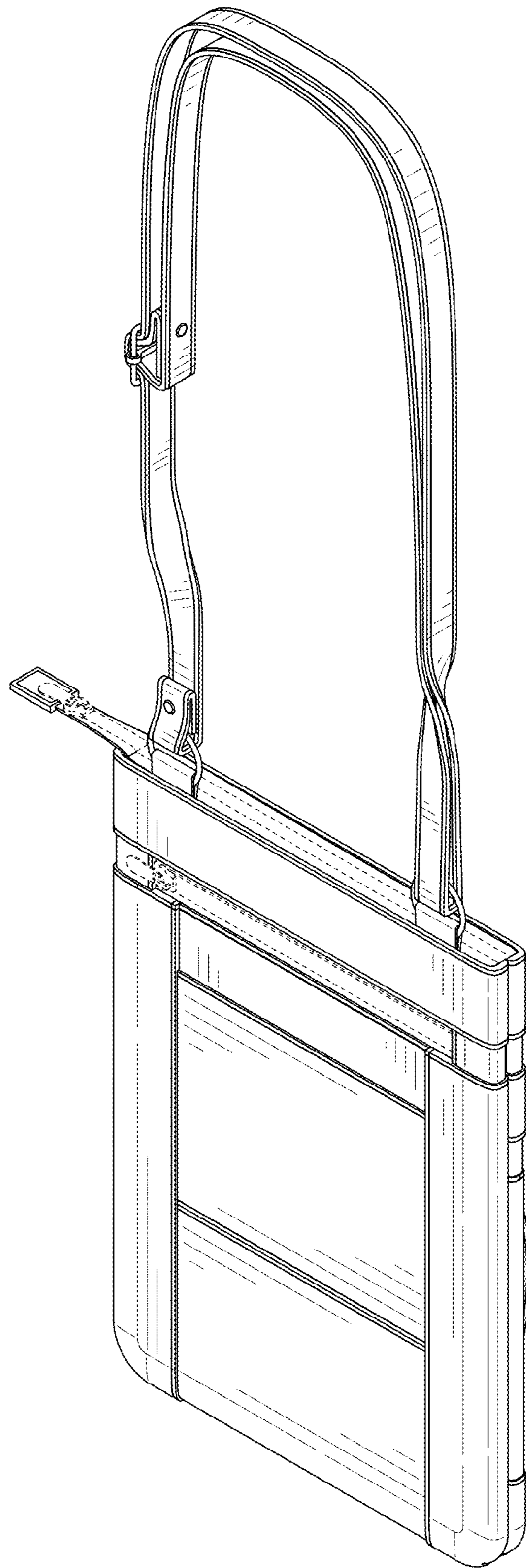


FIG. 2

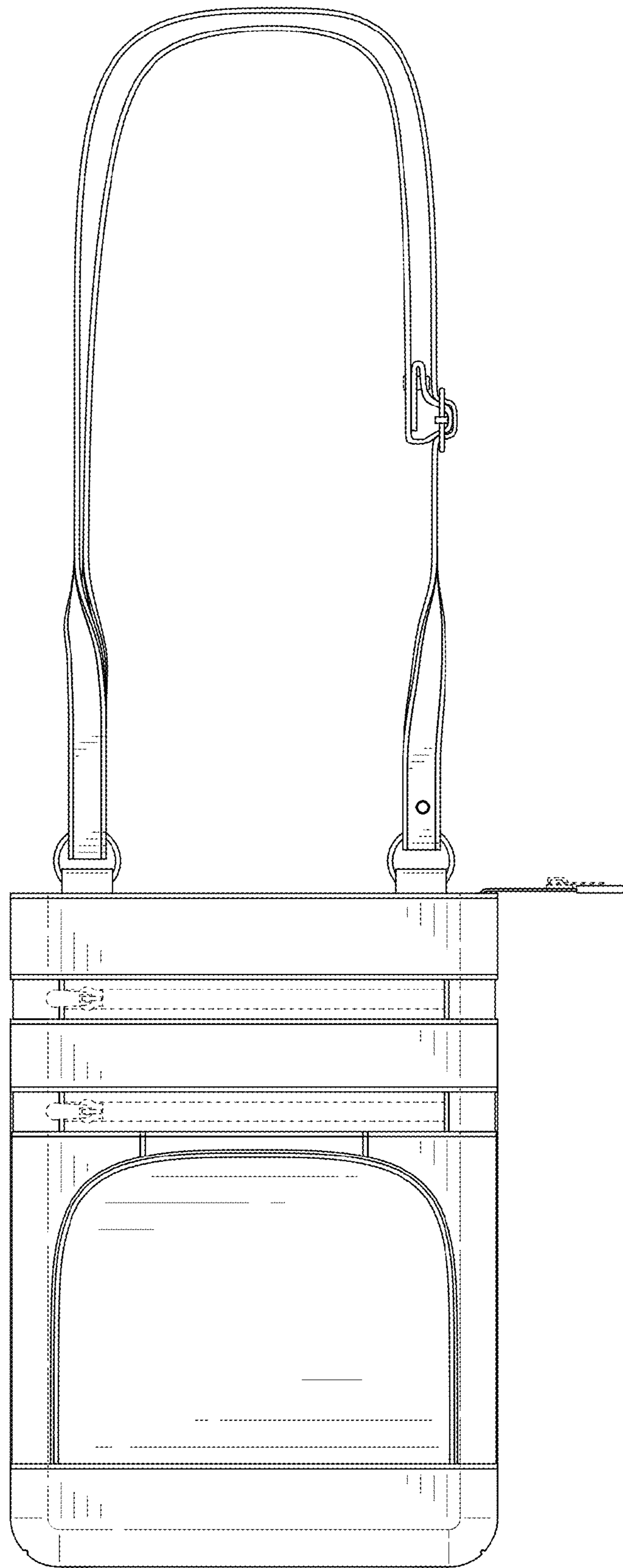


FIG. 3

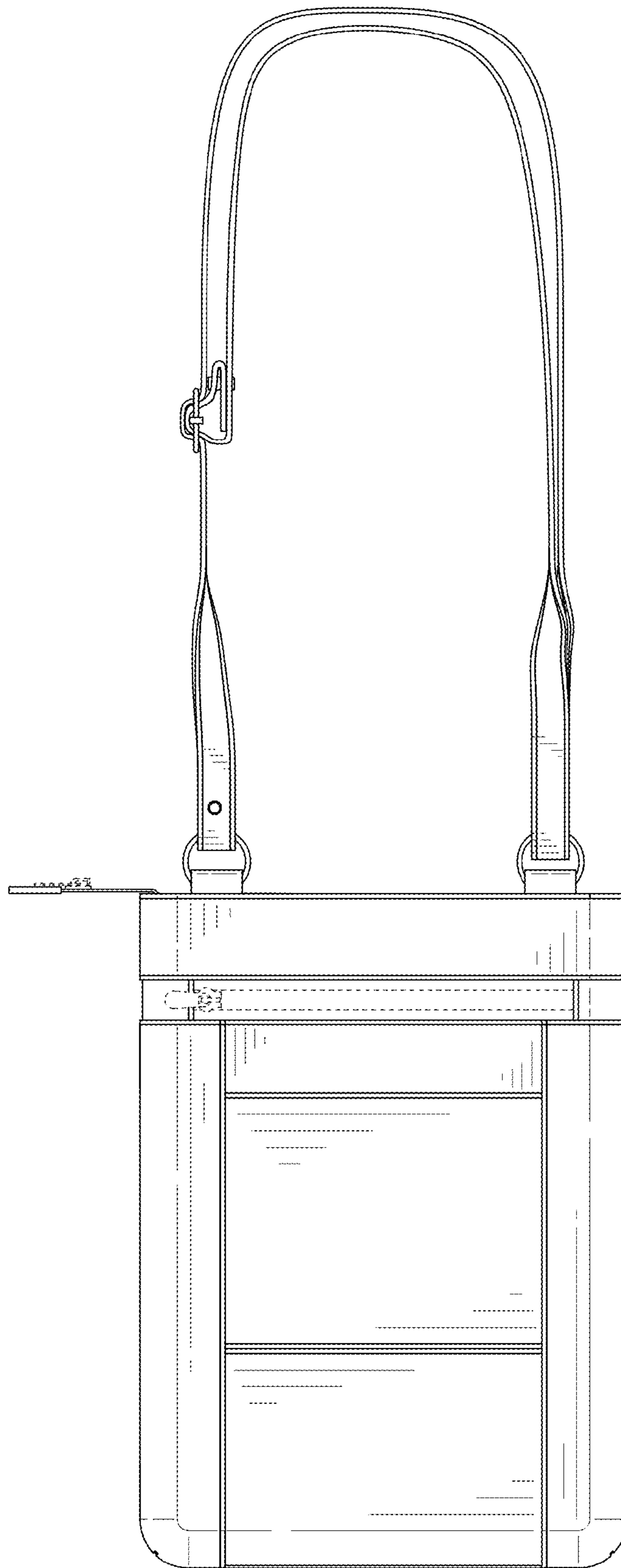


FIG. 4

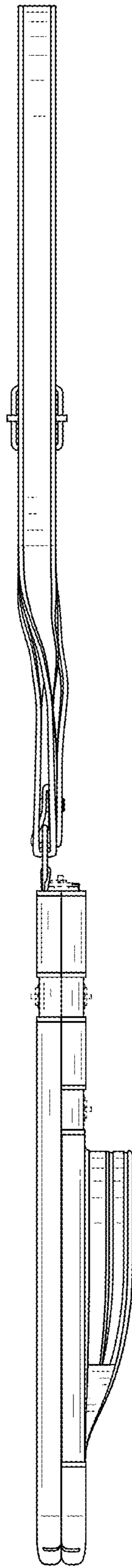


FIG. 5

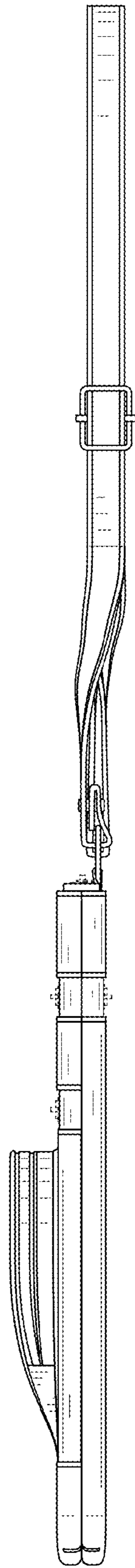


FIG. 6

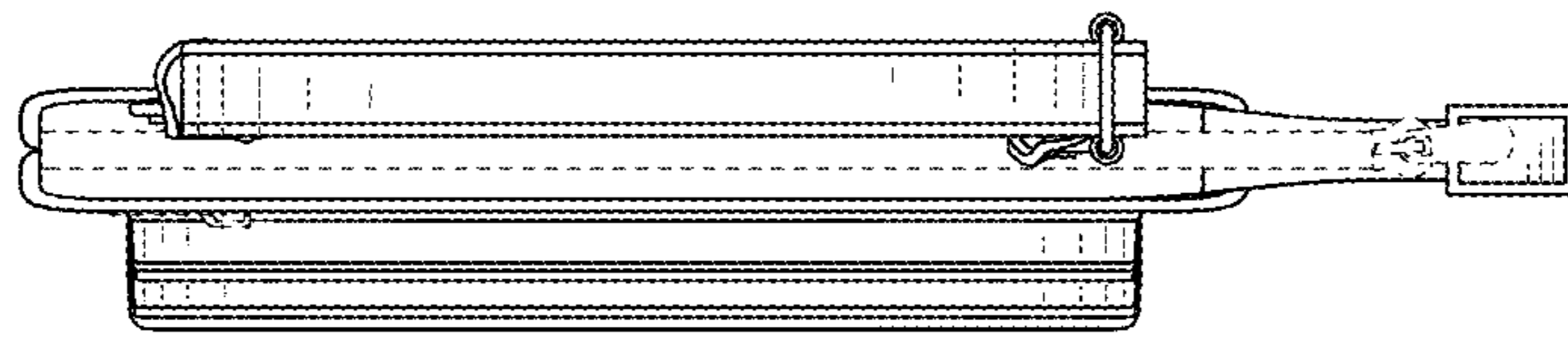


FIG. 7

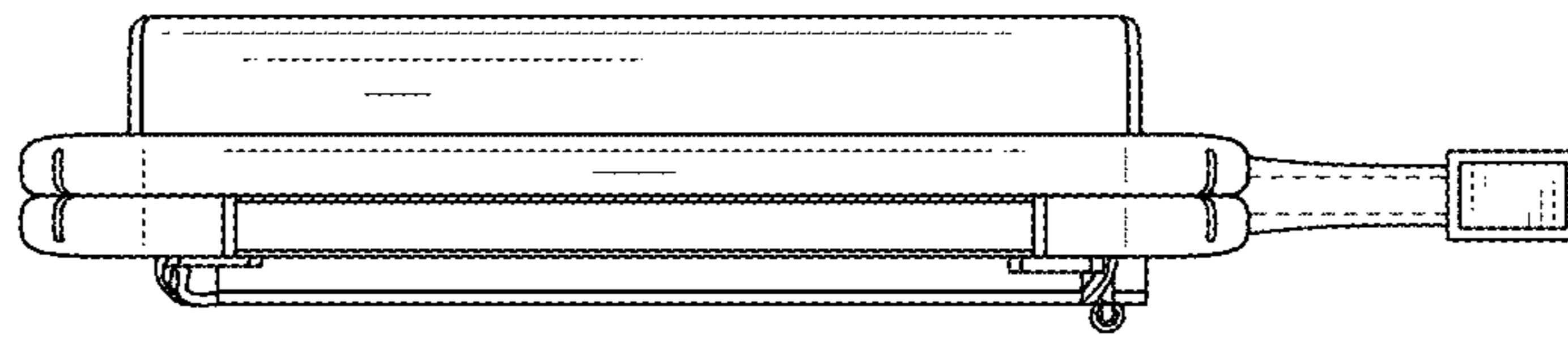


FIG. 8