



US00D881556S

(12) **United States Design Patent**
Yamamoto

(10) **Patent No.:** **US D881,556 S**
(45) **Date of Patent:** **** Apr. 21, 2020**

(54) **BLADE CASE**

(71) Applicant: **BENRINER CO., LTD**, Iwakuni-shi (JP)

(72) Inventor: **Hajime Yamamoto**, Iwakuni (JP)

(73) Assignee: **Benriner Co., LTD**, Iwakuni-Shi (JP)

(**) Term: **15 Years**

(21) Appl. No.: **29/631,112**

(22) Filed: **Dec. 27, 2017**

(30) **Foreign Application Priority Data**

Nov. 20, 2017 (JP) 2017-025800

(51) **LOC (12) Cl.** **03-01**

(52) **U.S. Cl.**
USPC **D3/220; D8/99**

(58) **Field of Classification Search**
USPC D3/203.6, 205, 273, 274, 275, 276, 278,
D3/283, 284, 287, 289, 294, 297, 296,
(Continued)

(56) **References Cited**

U.S. PATENT DOCUMENTS

D501,781 S * 2/2005 Galli D26/37
D565,382 S * 4/2008 Watanabe D8/99
(Continued)

FOREIGN PATENT DOCUMENTS

JP D948636 * 4/1998
KR 300632272 * 2/2012

OTHER PUBLICATIONS

Everyday Carry, "The Best Box Cutters and Utility Knives for EDC", Published Apr. 29, 2017. (<https://everydaycarry.com/best-box-cutter-utility-knife-for-edc>) (Year: 2017).*

(Continued)

Primary Examiner — April Rivas

(74) *Attorney, Agent, or Firm* — Fattibene and Fattibene LLC; Paul A. Fattibene

(57) **CLAIM**

The ornamental design for the blade case, as shown and described.

DESCRIPTION

FIG. 1 is a front elevational view of a blade case showing the new design, with the rear elevational view being a mirror image;

FIG. 2 is a top plan view thereof;

FIG. 3 is a bottom plan view thereof;

FIG. 4 is a right side elevation view thereof;

FIG. 5 is a left side elevation view thereof;

FIG. 6 is a cross section thereof taken along line A-A in FIG. 2;

FIG. 7 is a perspective view thereof showing the front, top, and right side;

FIG. 8 is a perspective view thereof showing the front, bottom, and right side;

FIG. 9 is a perspective view thereof showing the top in an open state;

FIG. 10 is a perspective view thereof showing the bottom in an open state;

FIG. 11 is a front elevational view of a case body portion thereof, with the rear elevational view being a mirror image;

FIG. 12 is a top plan view of the case body portion thereof;

FIG. 13 is a bottom plan view of the case body portion thereof;

FIG. 14 is a right side elevational view of the case body portion thereof;

FIG. 15 is a left side elevational view of the case body portion thereof;

FIG. 16 is a perspective view of the case body portion thereof showing the rear, top, and right side;

FIG. 17 is a perspective view of the case body portion thereof showing the rear, bottom, and right side;

FIG. 18 is a front elevational of a lid portion thereof, with the rear elevational view being a mirror image;

FIG. 19 is a top plan view of the lid portion thereof;

FIG. 20 is a bottom plan view of the lid portion thereof;

(Continued)

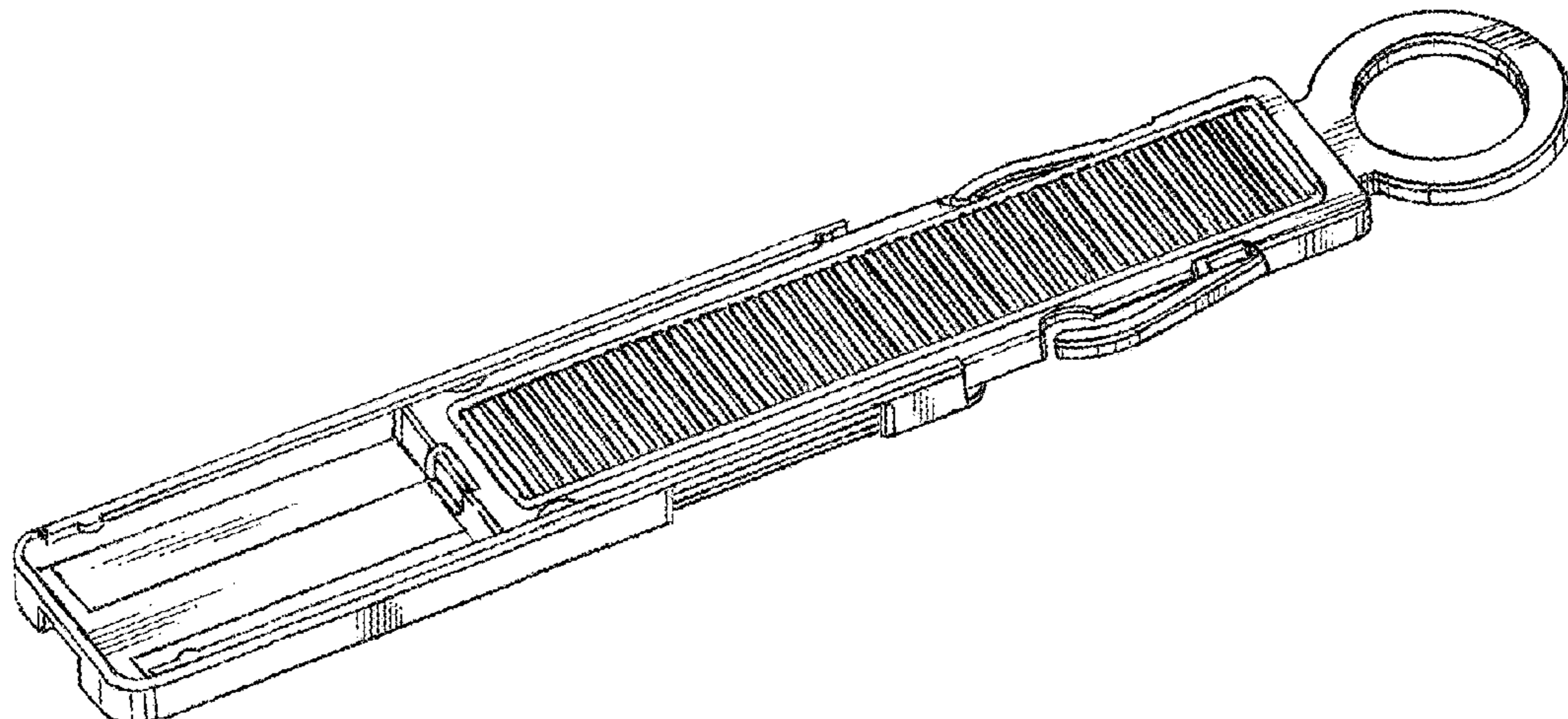


FIG. 21 is a right side elevational view of the lid portion thereof;
FIG. 22 is a left side elevational view of the lid portion thereof;
FIG. 23 is a perspective view of the lid portion thereof showing the front, top, and right side; and,
FIG. 24 is a perspective view of the lid portion thereof showing the front, bottom, and right side.
The blade case lid and body are shown separately in FIGS. 11-24 for convenience of illustration only.

1 Claim, 15 Drawing Sheets

(58) **Field of Classification Search**

USPC D3/299, 302, 303, 901, 903, 905, 301,
D3/298, 220; D8/99, 98; D7/673, 213
CPC B25H 3/028; B25H 3/023; B25H 3/02;
B25H 3/003; B26D 2003/286; A47J
43/0711

See application file for complete search history.

(56)

References Cited

U.S. PATENT DOCUMENTS

| | | | | | | |
|--------------|----|---|---------|----------|-------|------------------------|
| D692,657 | S | * | 11/2013 | Hyma | | D3/220 |
| D701,695 | S | * | 4/2014 | Hyma | | D3/273 |
| D782,892 | S | * | 4/2017 | Fischer | | D8/99 |
| D790,313 | S | * | 6/2017 | Watanabe | | D8/99 |
| D791,476 | S | * | 7/2017 | Yamamoto | | D3/273 |
| D817,143 | S | * | 5/2018 | Rohrbach | | D8/98 |
| D831,953 | S | * | 10/2018 | Dobbs | | D3/220 |
| 2010/0122983 | A1 | * | 5/2010 | Steele | | B25H 3/003 220/4.03 |

OTHER PUBLICATIONS

Tiger Chef, "Winco MDL-BLD Blade Set for MDL-15", Accessed Aug. 13, 2019. (<https://www.tigerchef.com/winco-mdl-bld-blade-set-for-mdl-15.html>) (Year: 2019).*

F.F. Group Catalog, p. 298. 2019 Catalog. (<http://www.ffgroup-tools.com/catalogue/hcat/public.php?brand=2&slang=1>) (Year: 2019).*

* cited by examiner

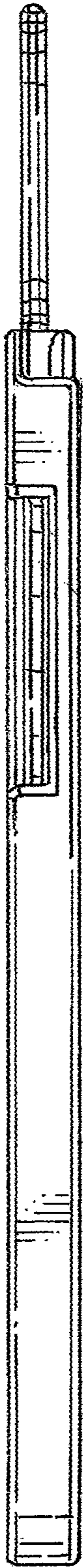


FIG. 1

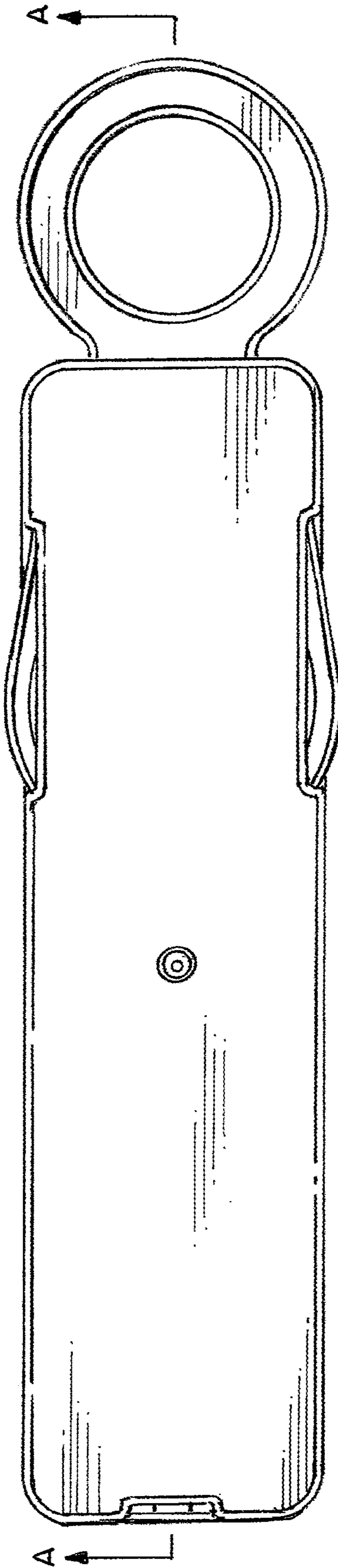


FIG. 2

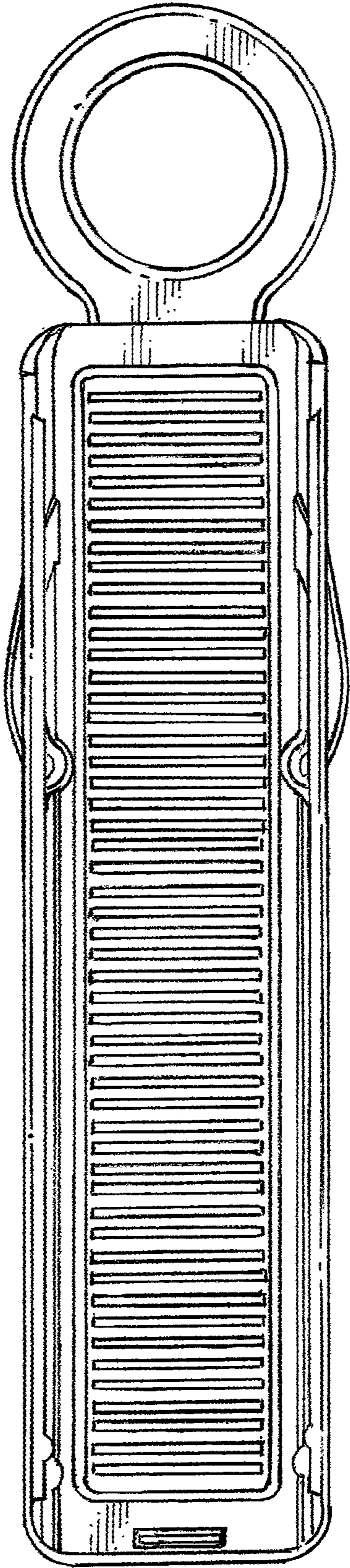


FIG. 3

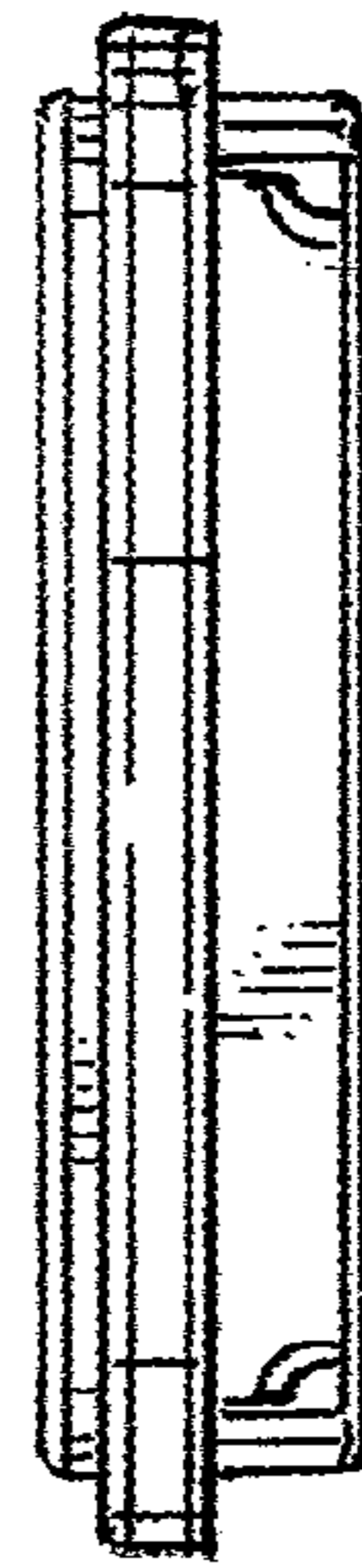


FIG. 4



FIG. 5



FIG. 6

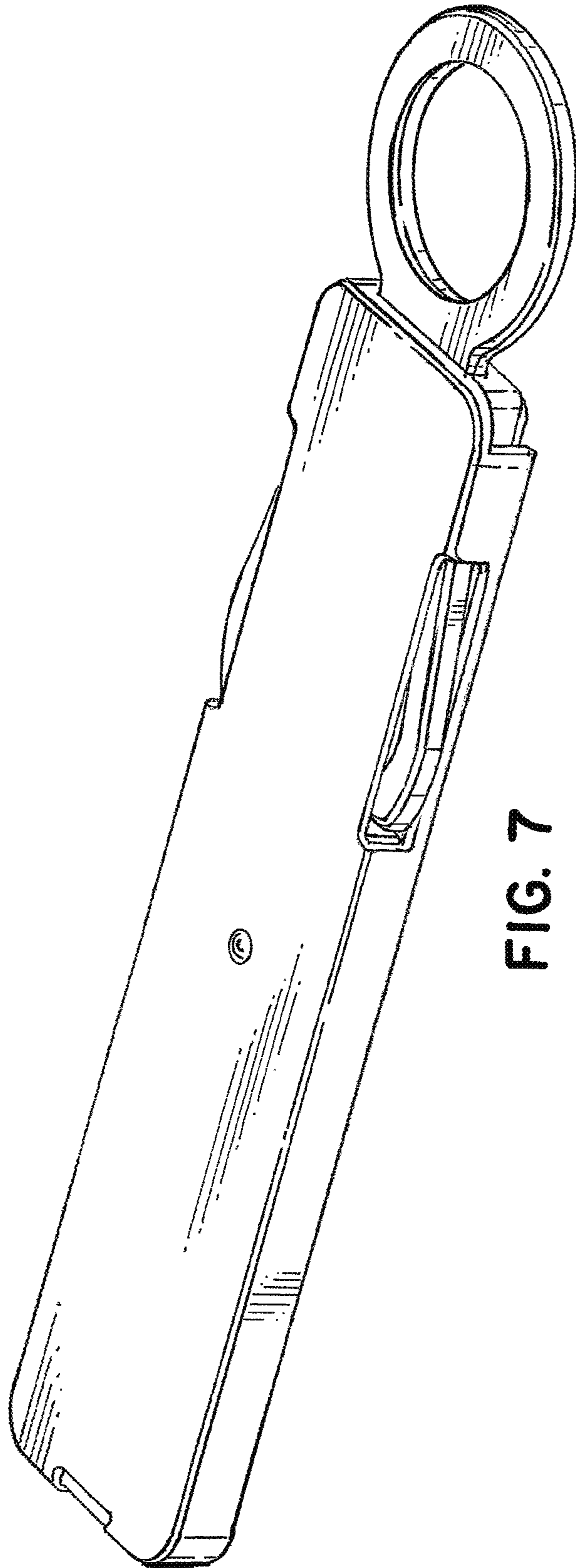


FIG. 7

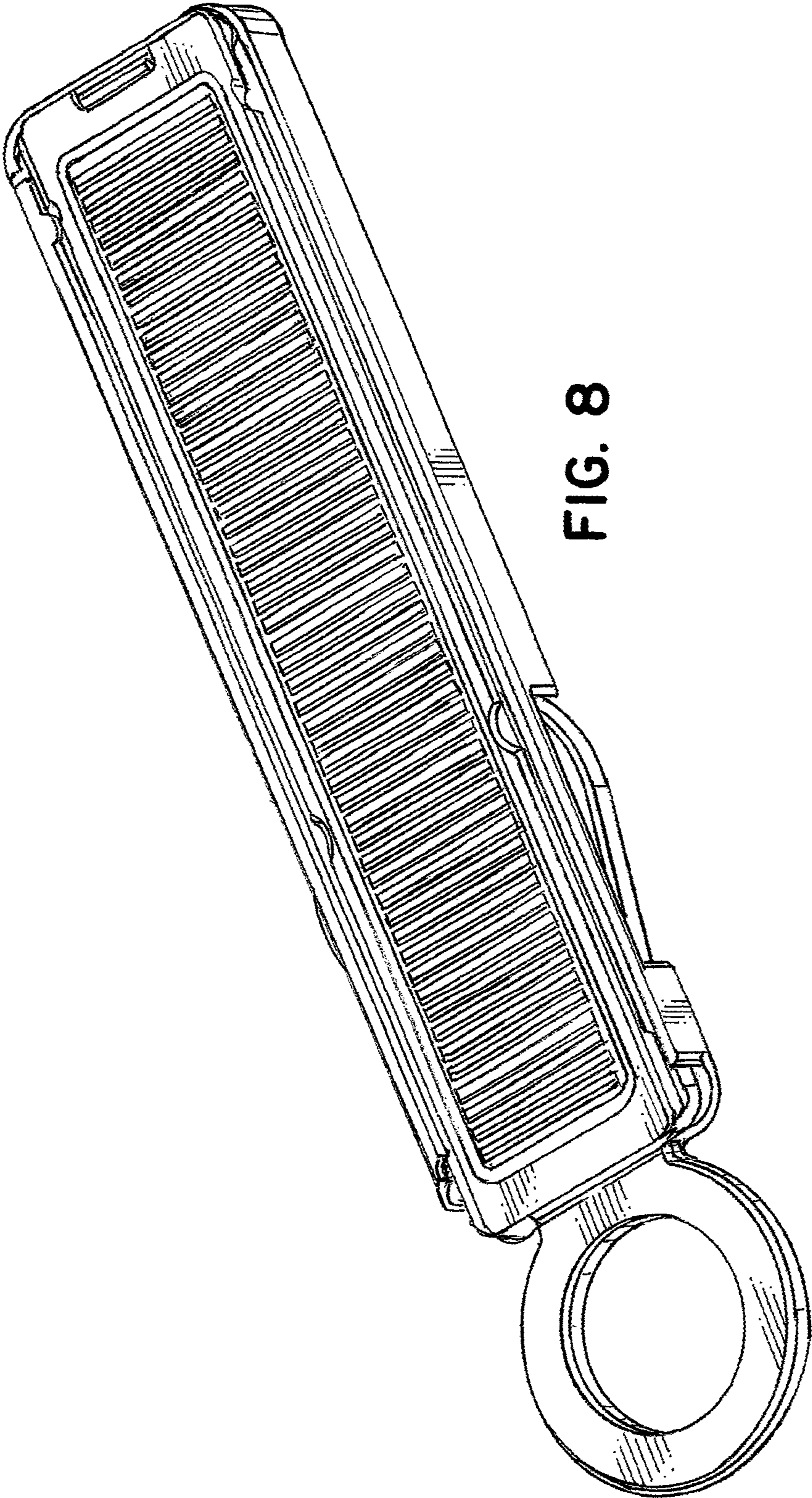


FIG. 8

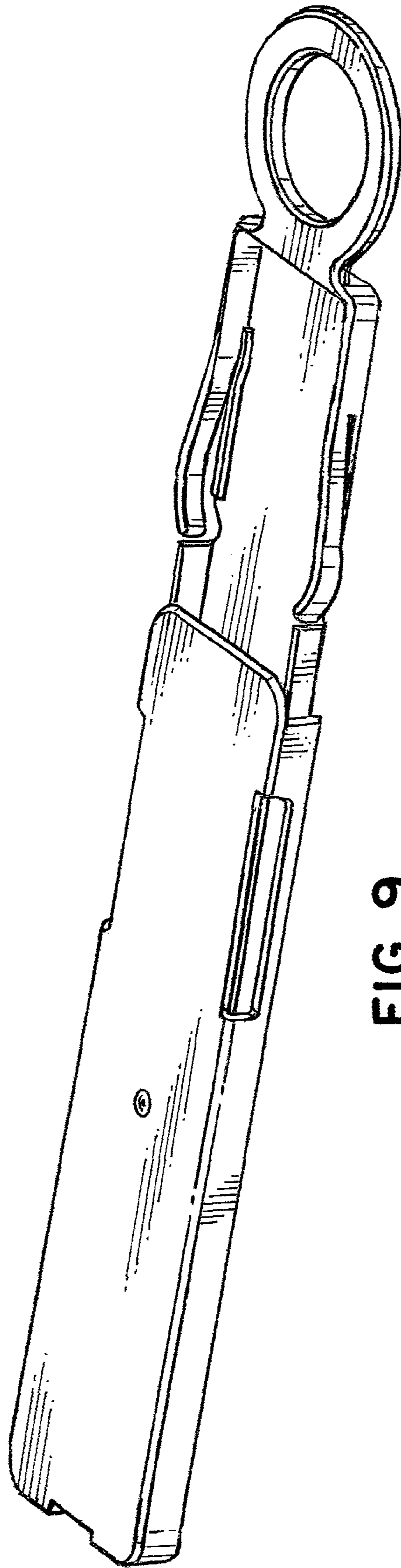


FIG. 9

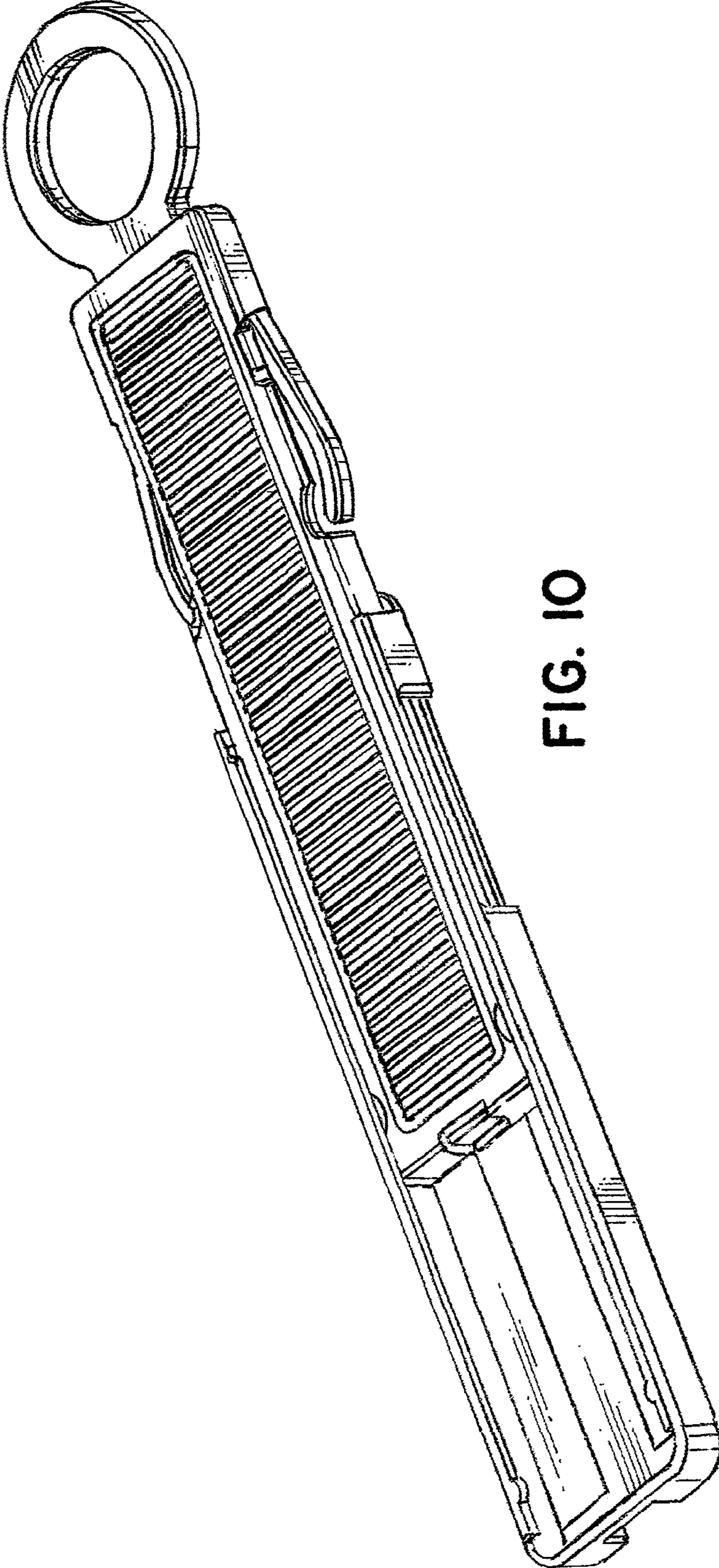


FIG. 10



FIG. 11

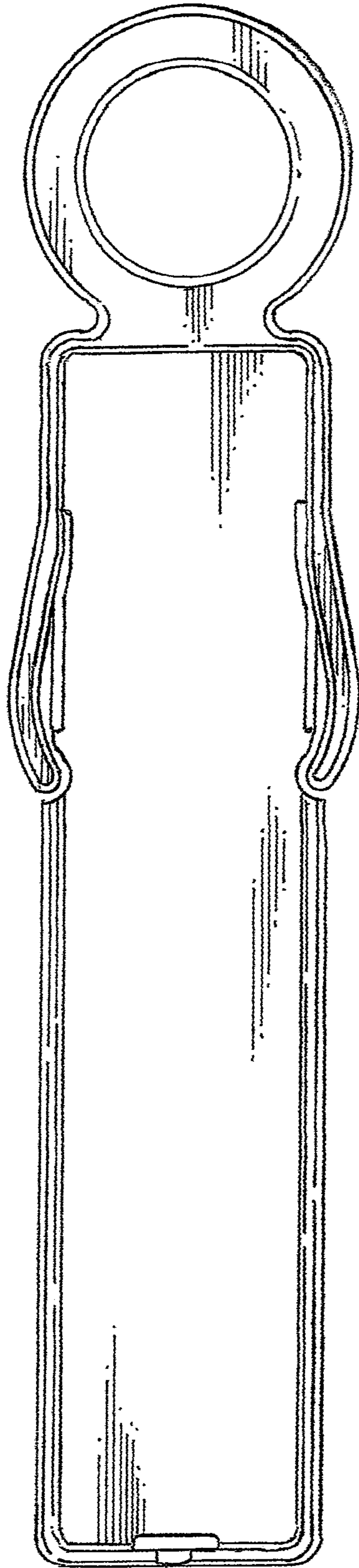


FIG. 12

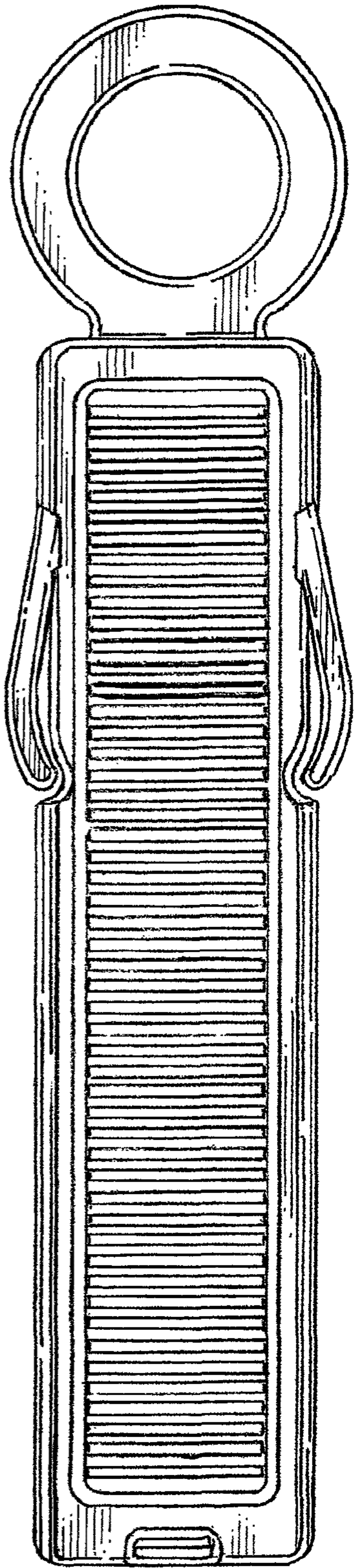


FIG. 13



FIG. 14



FIG. 15

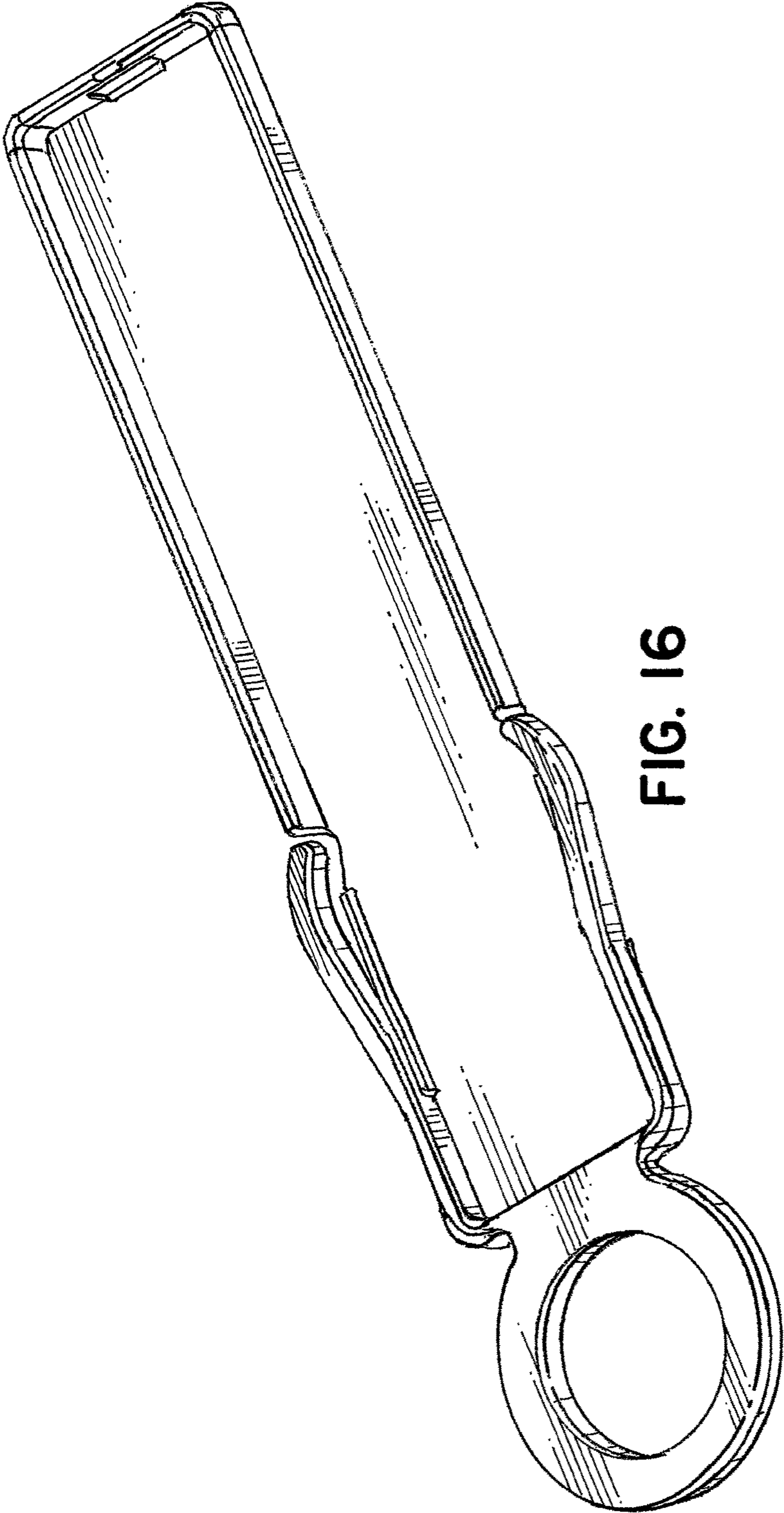


FIG. 16

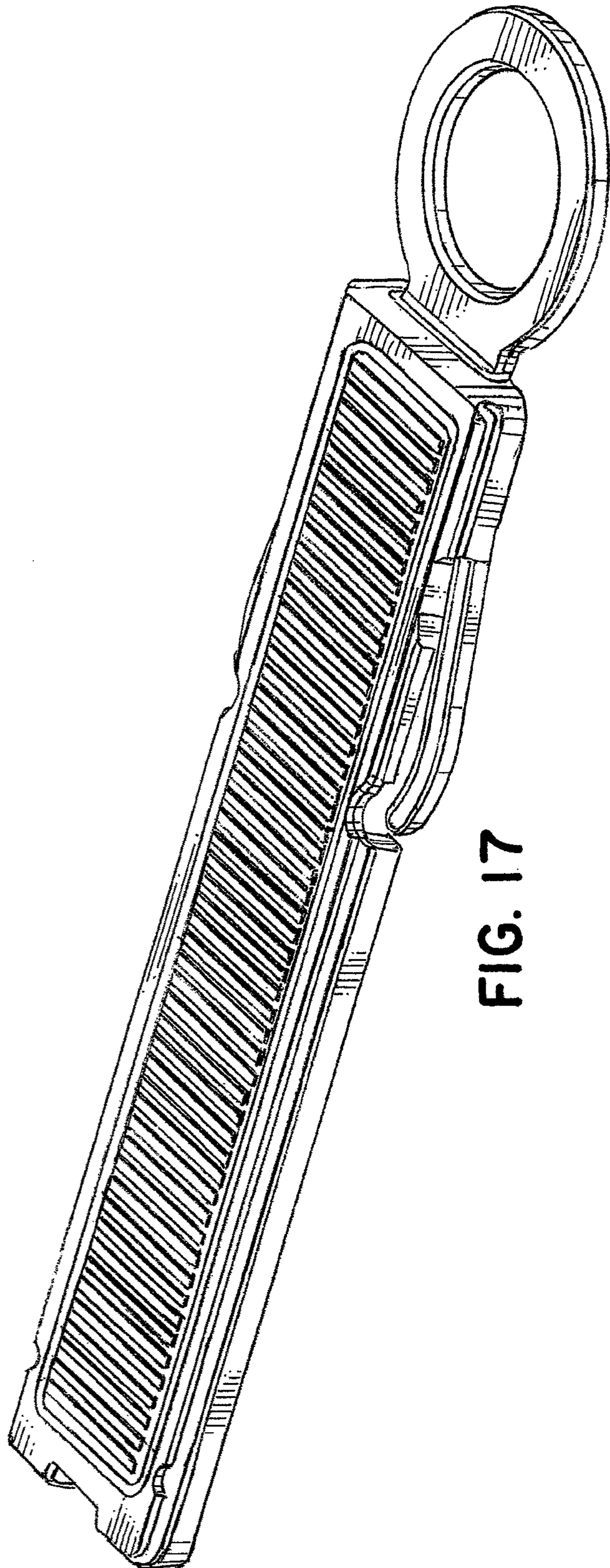


FIG. 17

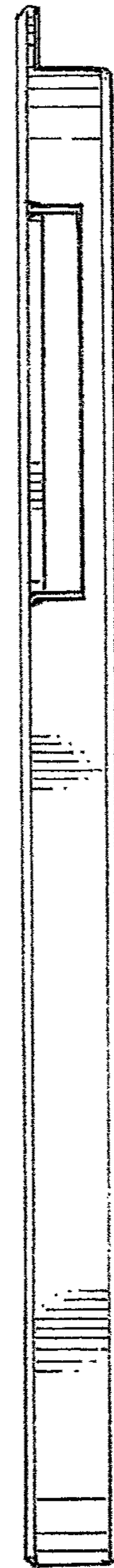


FIG. 18

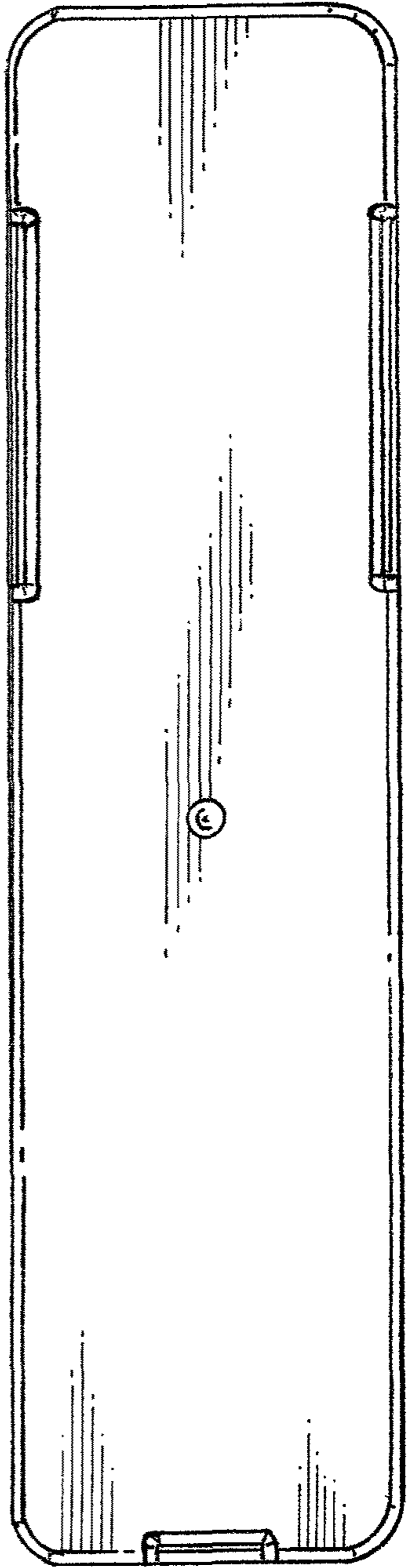


FIG. 19

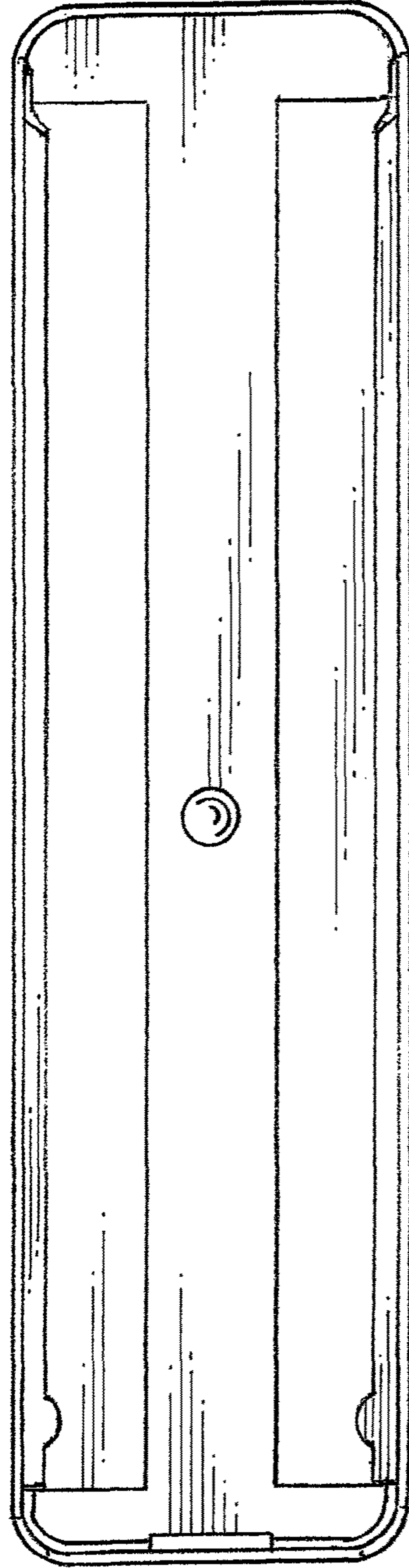


FIG. 20

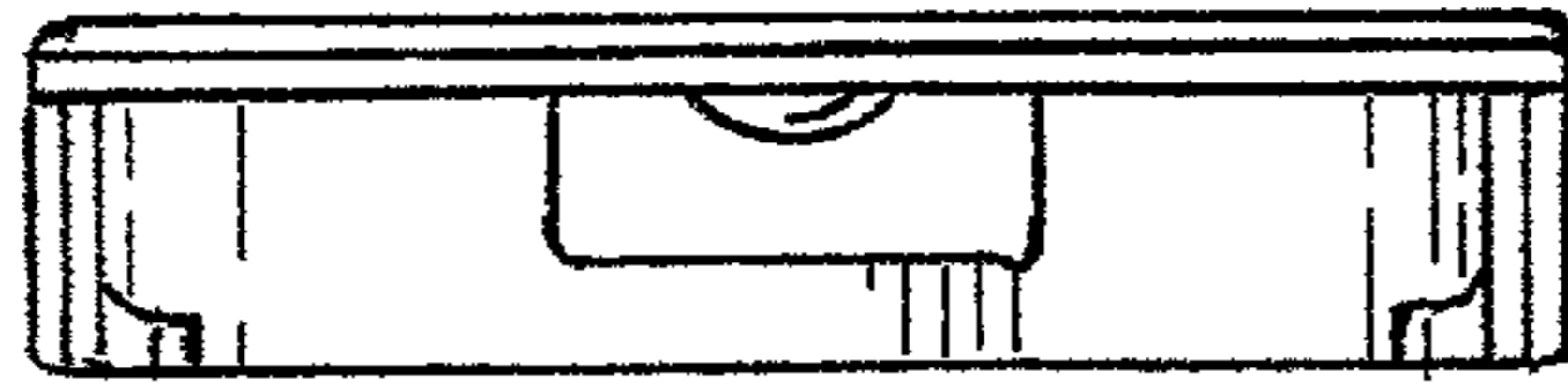


FIG. 21

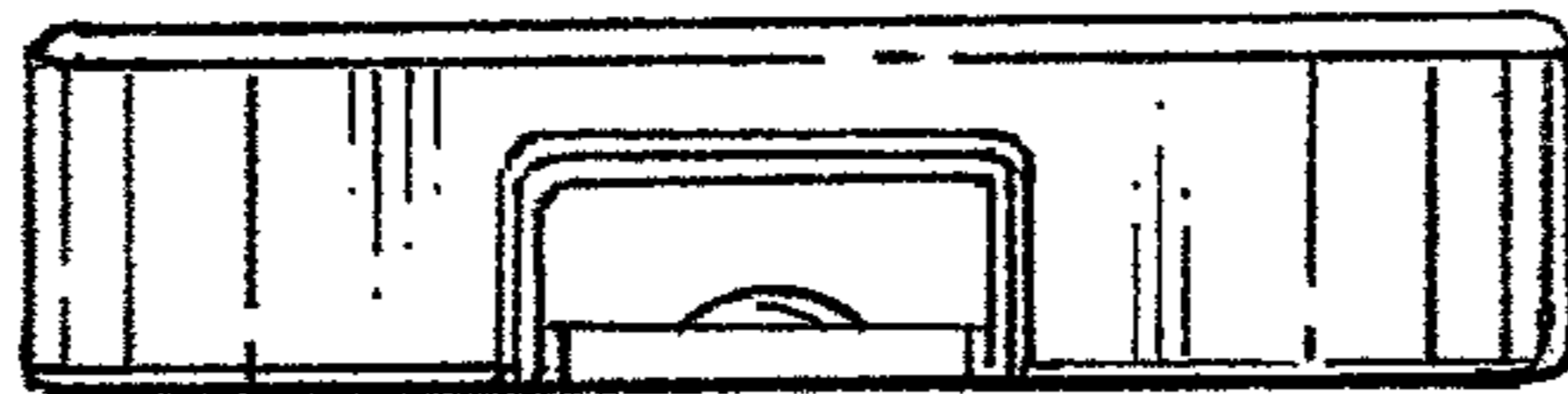


FIG. 22

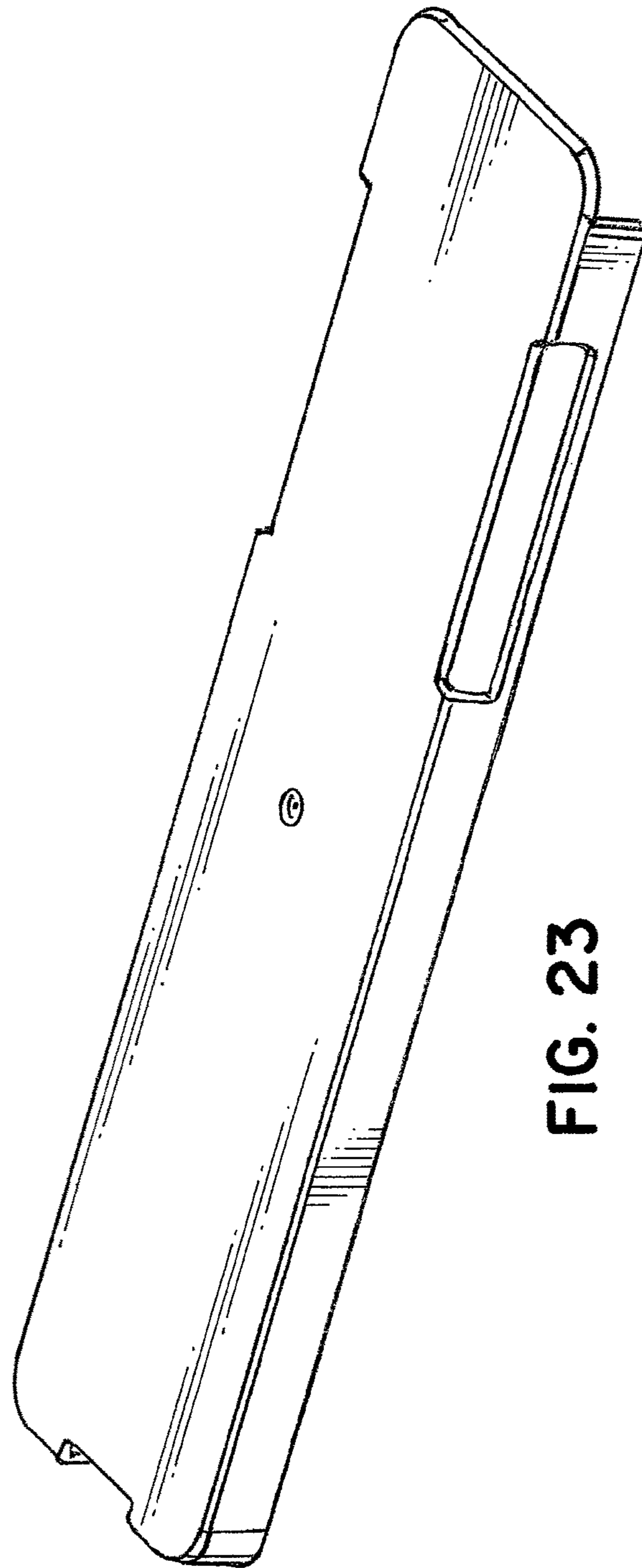


FIG. 23

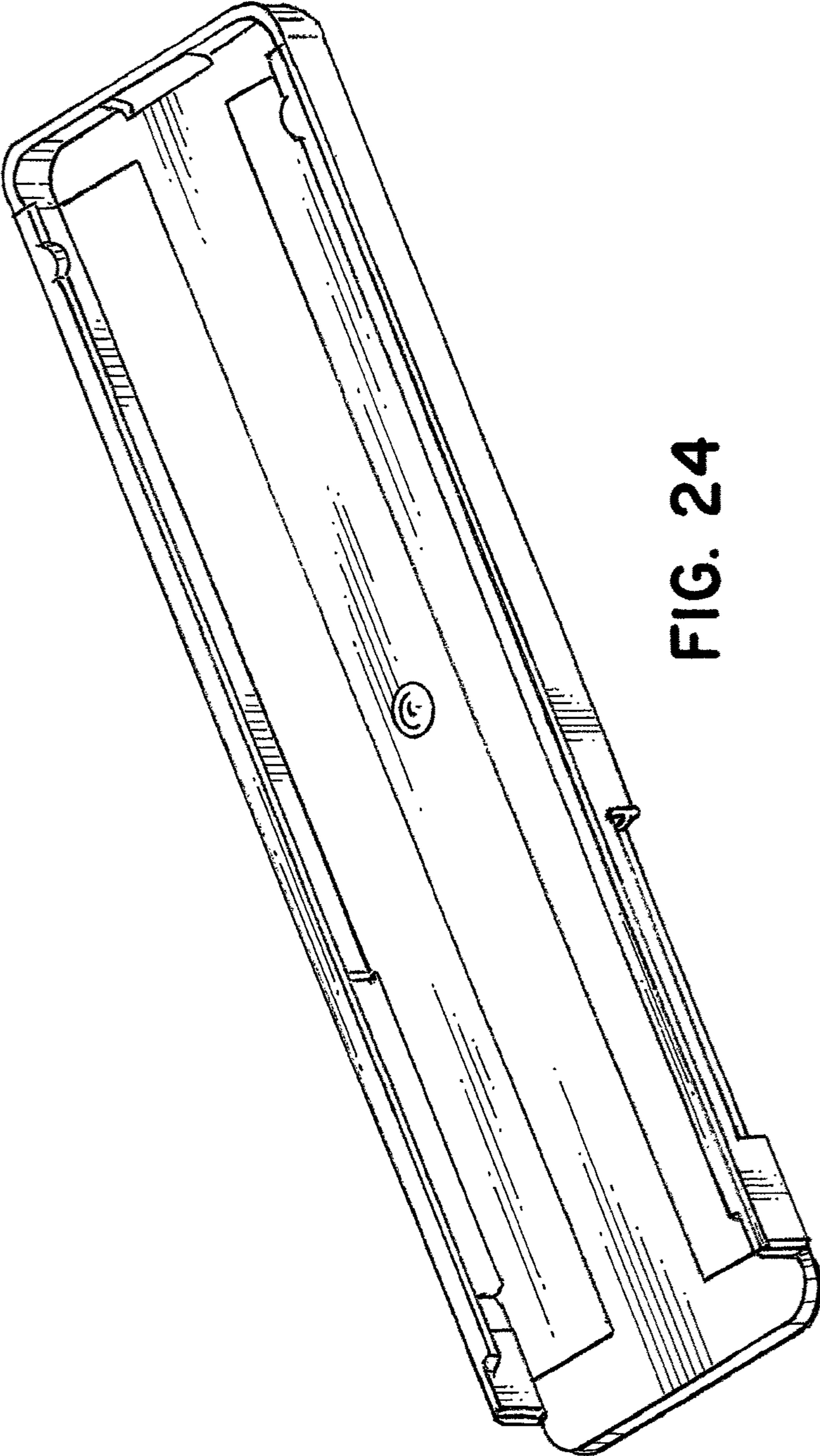


FIG. 24