



US00D881554S

(12) **United States Design Patent**
Bellofatto, Jr. et al.

(10) **Patent No.:** **US D881,554 S**
(45) **Date of Patent:** **** Apr. 21, 2020**

(54) **BACKPACK**

(71) Applicant: **The Gem Group, Inc.**, Lawrence, MA
(US)

(72) Inventors: **Richard C. Bellofatto, Jr.**, Peabody,
MA (US); **Calvin Tabor**, Westford, MA
(US)

(73) Assignee: **The Gem Group, Inc.**, Lawrence, MA
(US)

(**) Term: **15 Years**

(21) Appl. No.: **29/614,196**

(22) Filed: **Aug. 16, 2017**

(51) **LOC (12) Cl.** **03-01**

(52) **U.S. Cl.**
USPC **D3/217**

(58) **Field of Classification Search**
USPC D3/201, 213–214, 215, 216, 217,
D3/232–233, 240–243, 245–246, 273,
D3/276, 289, 294, 301, 302, 303, 318
CPC A45C 1/024; A45C 3/06
See application file for complete search history.

(56) **References Cited**

U.S. PATENT DOCUMENTS

D437,110 S * 2/2001 Ivarson D3/216
D748,909 S * 2/2016 Wronski D3/217

D762,059 S * 7/2016 Klot D3/217
D853,107 S * 7/2019 Lyons D3/217
D866,166 S * 11/2019 Ho D3/217
D866,956 S * 11/2019 Wu D3/217
D867,750 S * 11/2019 Warren D3/217

* cited by examiner

Primary Examiner — Holly E Thurman

(74) *Attorney, Agent, or Firm* — Loginov & Associates,
PLLC; William A. Loginov

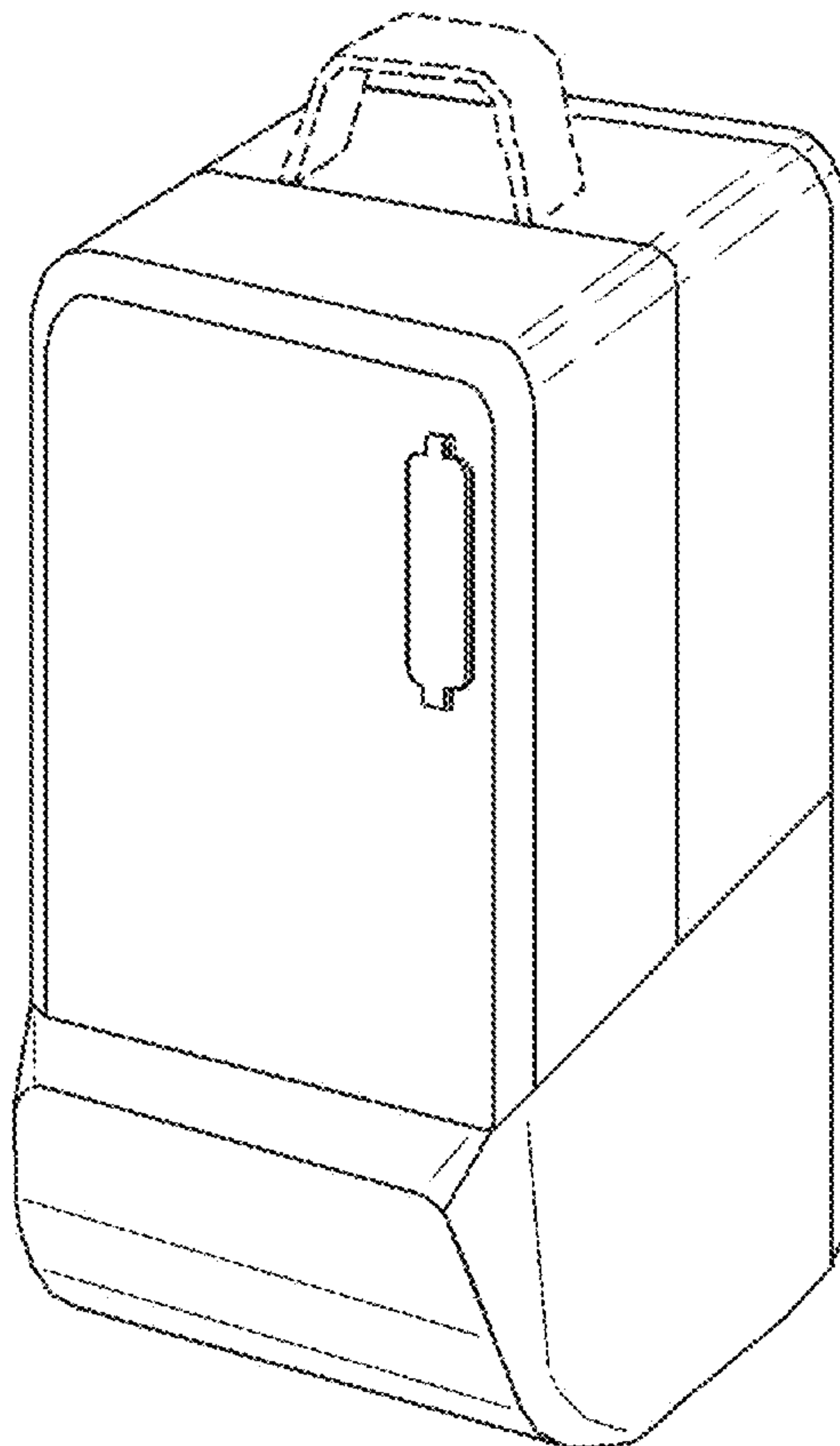
(57) **CLAIM**

The ornamental design for a backpack, substantially as
shown.

DESCRIPTION

FIG. 1 is a perspective view of a backpack;
FIG. 2 is a front view of the backpack;
FIG. 3 is a rear view of the backpack;
FIG. 4 is a right side view of the backpack;
FIG. 5 is a left side view of the backpack;
FIG. 6 is a top view of the backpack; and,
FIG. 7 is a bottom view of the backpack.
The broken lines in the drawings depict unclaimed portions
of the backpack and form no part of the claimed design.

1 Claim, 5 Drawing Sheets



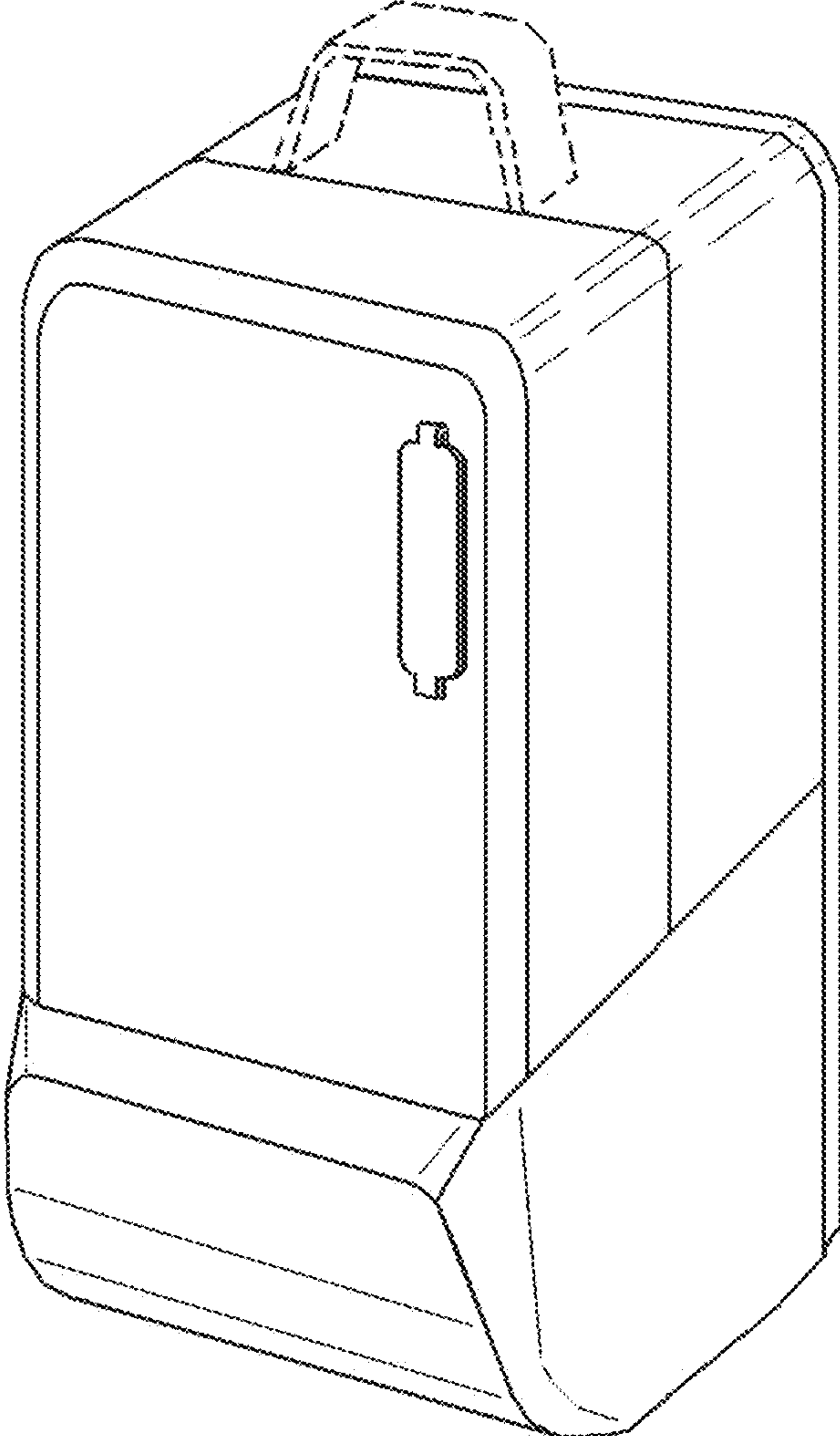


Fig. 1

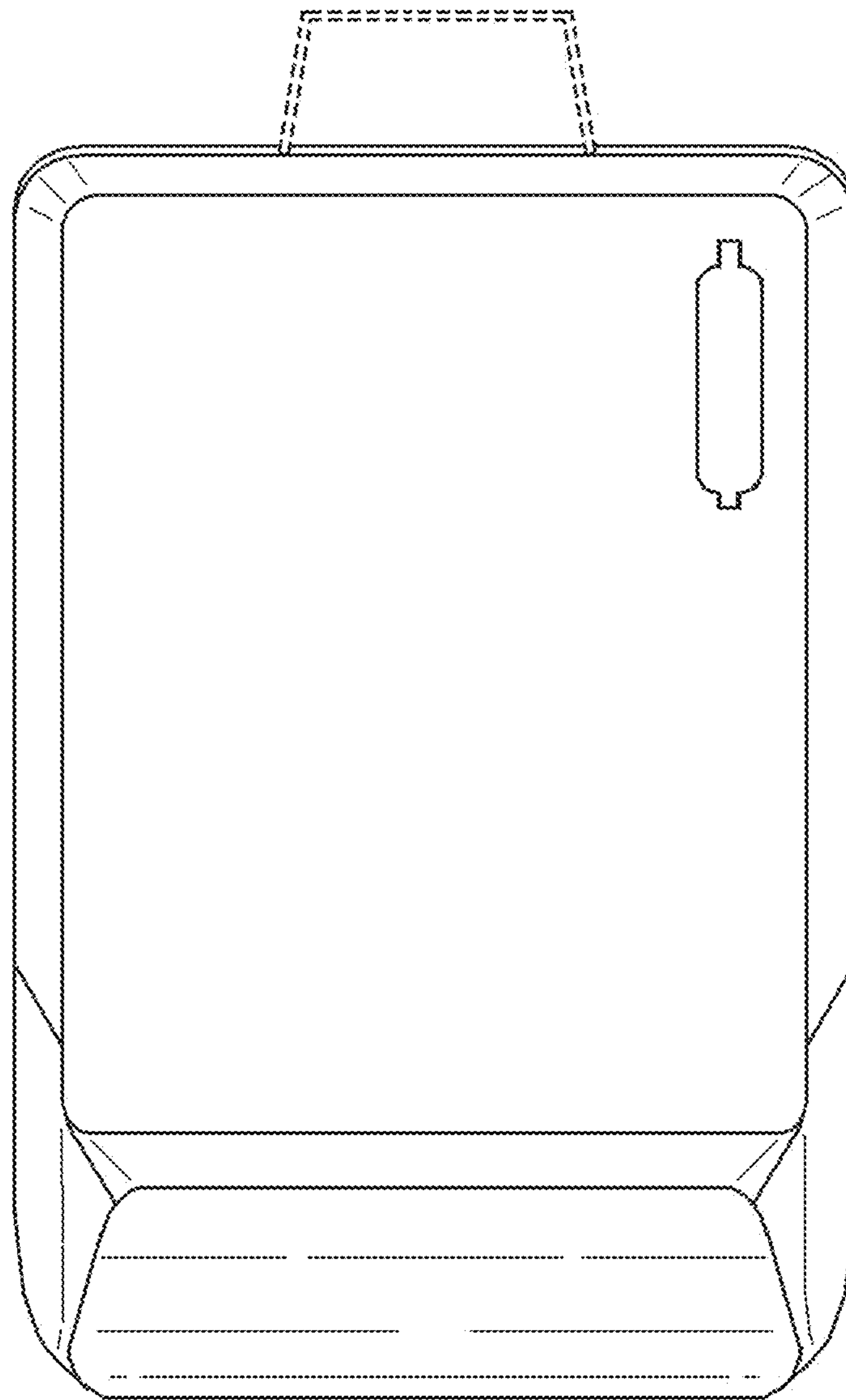


Fig. 2

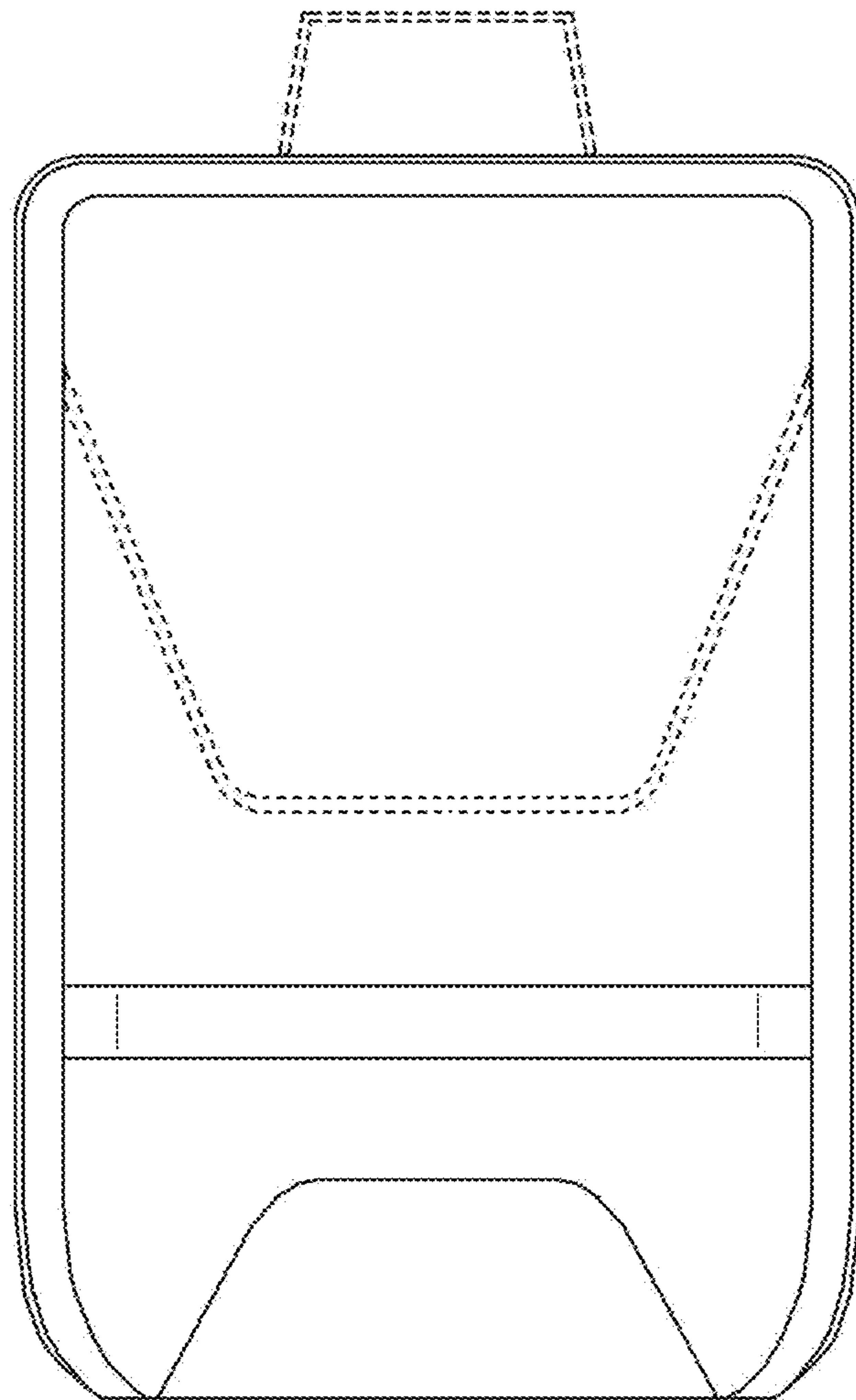


Fig. 3

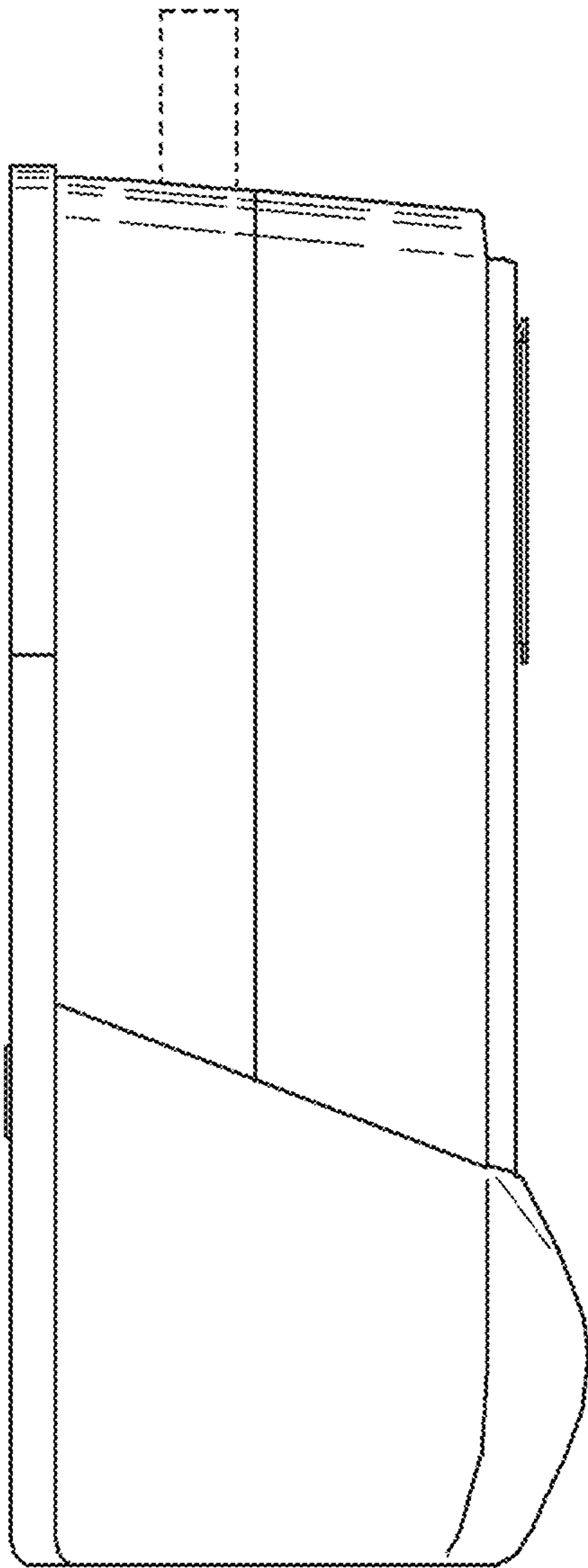


Fig. 4

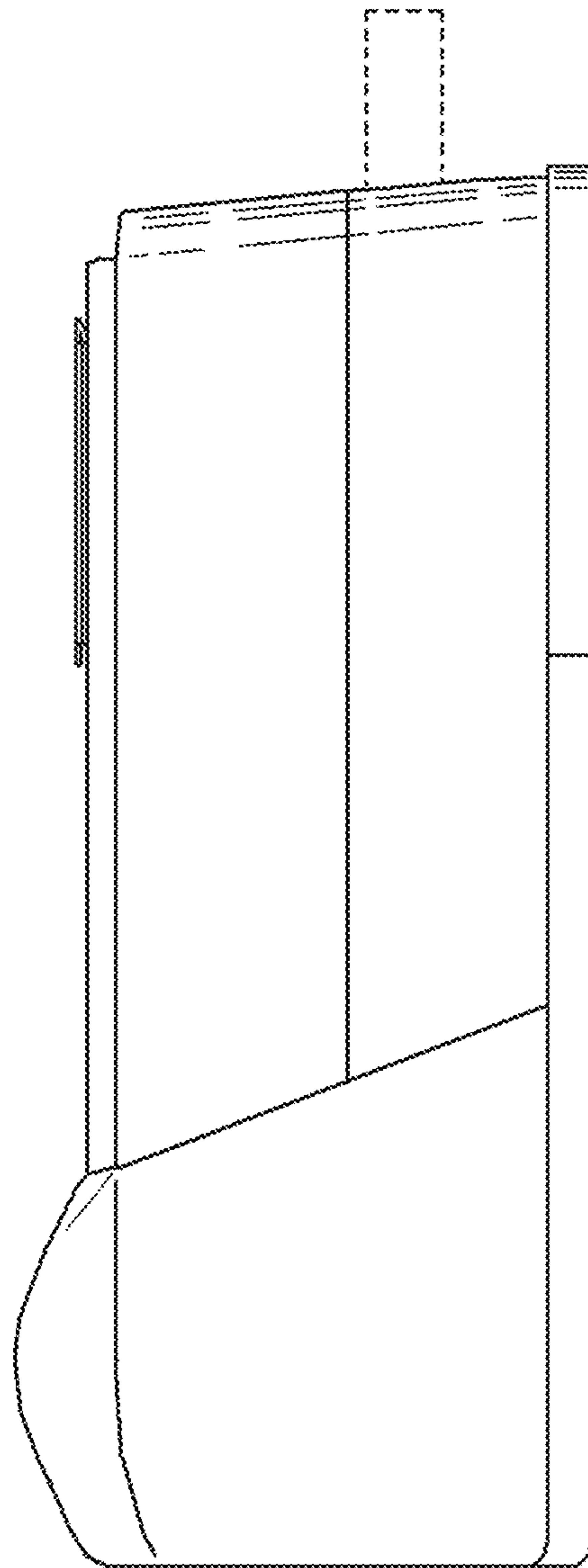


Fig. 5

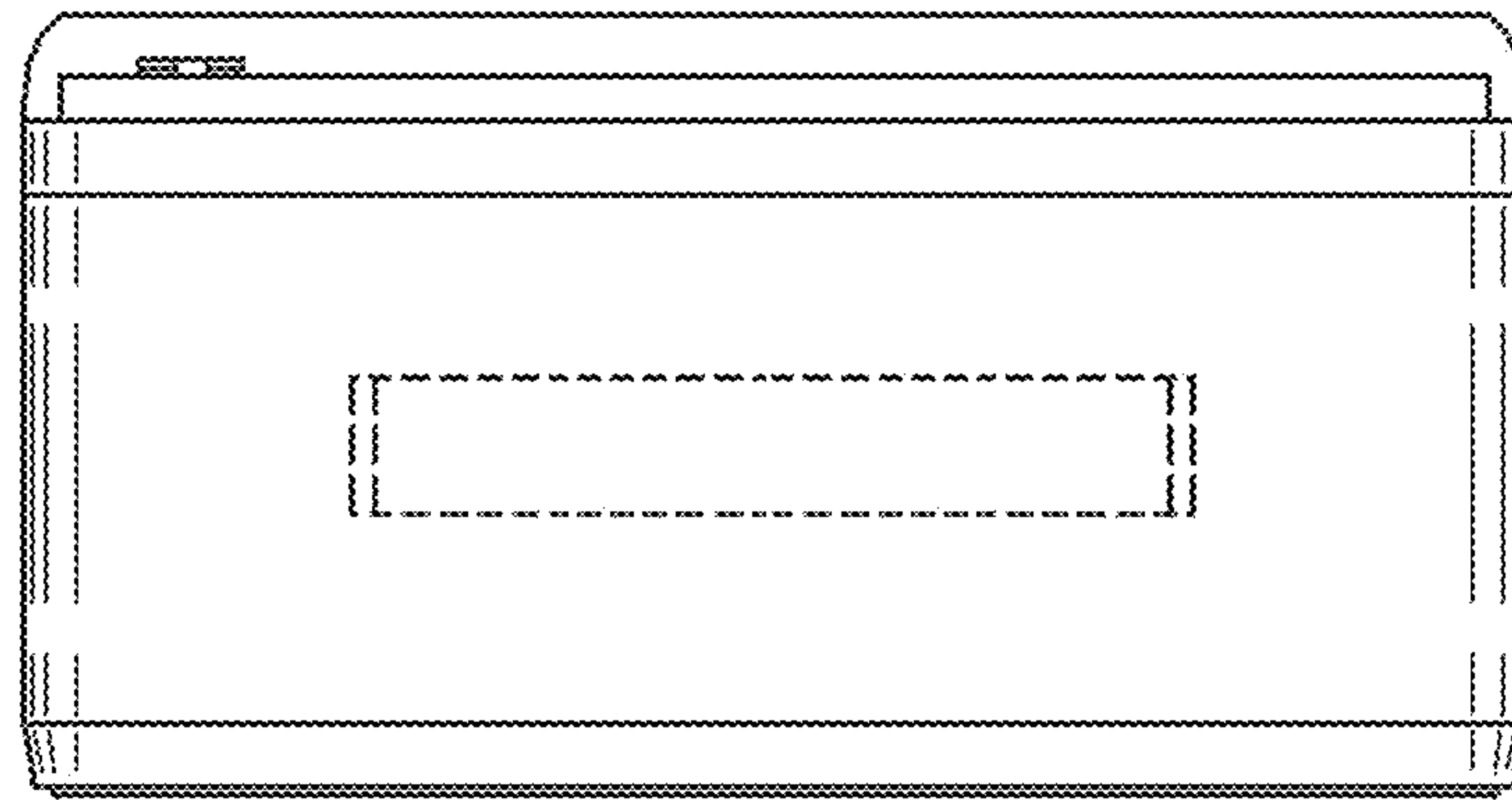


Fig. 6

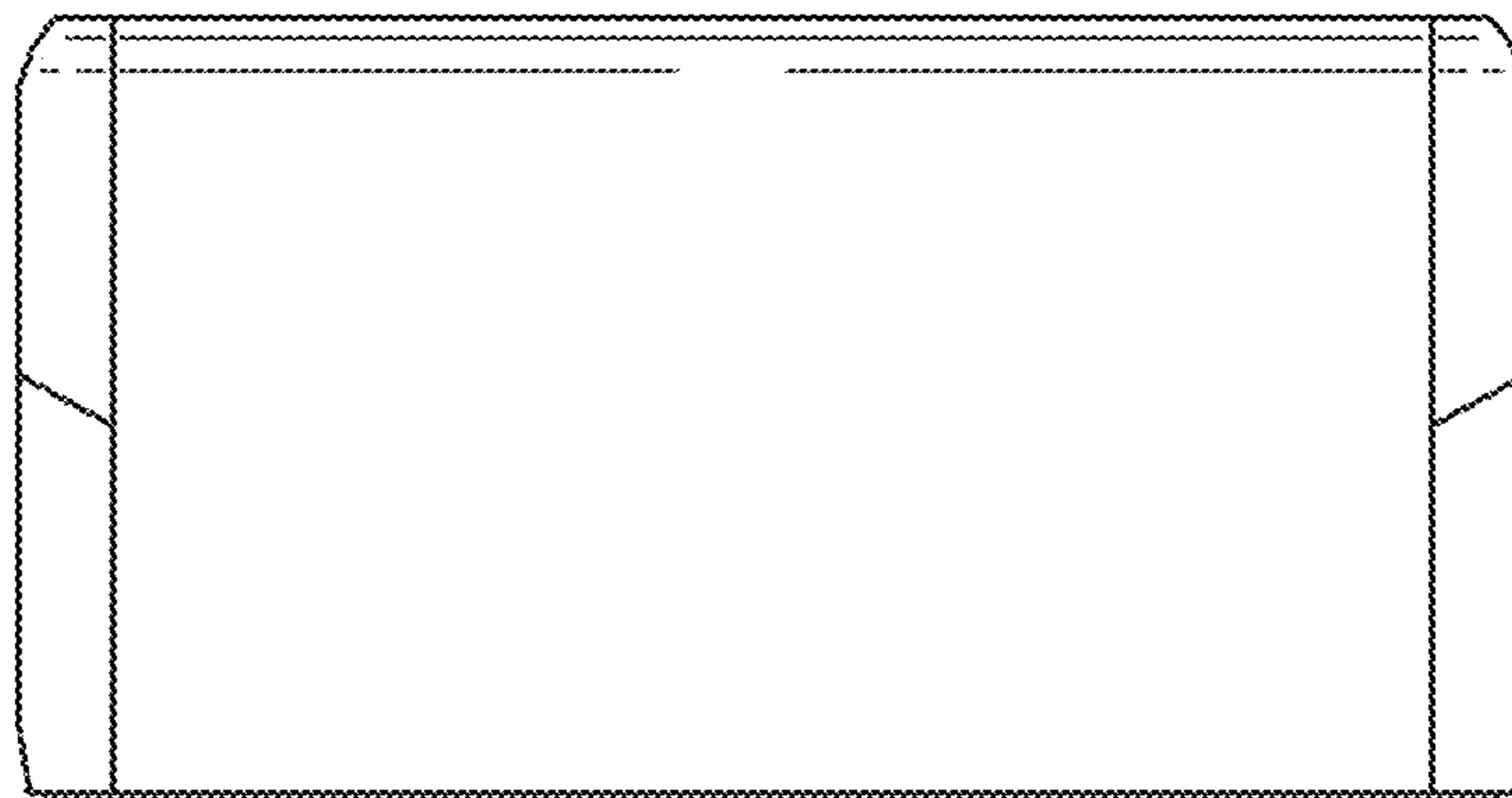


Fig. 7