



US00D881551S

(12) **United States Design Patent**
Feng

(10) **Patent No.:** **US D881,551 S**

(45) **Date of Patent:** **** Apr. 21, 2020**

(54) **MULTIFUNCTIONAL ELASTIC FRAME**

(71) Applicant: **Guangzhou Landscape
Communication Equipment Co., Ltd,**
Guangzhou (CN)

(72) Inventor: **Youqing Feng, Anqing (CN)**

(**) Term: **15 Years**

(21) Appl. No.: **29/716,244**

(22) Filed: **Dec. 9, 2019**

(51) **LOC (12) Cl.** **03-01**

(52) **U.S. Cl.**
USPC **D3/201; D3/318; D14/253; D14/447**

(58) **Field of Classification Search**
USPC **D14/250–253, 432, 434, 440, 447;**
D3/201, 318

CPC **A45C 11/00; A45F 5/00; F16M 11/06**
See application file for complete search history.

(56) **References Cited**

U.S. PATENT DOCUMENTS

D542,629 S	5/2007	Thompson	
D556,015 S	11/2007	Muchnik	
D660,305 S *	5/2012	Ho	D14/447
D669,890 S *	10/2012	Hopkins	D14/251
D674,804 S *	1/2013	Cote	D14/447
D711,731 S	8/2014	Sugiura	
D742,387 S *	11/2015	Xiang	D14/447

D773,465 S *	12/2016	Palmer	D14/434
D790,528 S *	6/2017	Lindloff	D14/253
D866,563 S *	11/2019	Zhang	D14/447
2015/0001265 A1 *	1/2015	Hart	A45F 5/021 224/269

* cited by examiner

Primary Examiner — Holly E Thurman

(74) *Attorney, Agent, or Firm* — HYIP

(57) **CLAIM**

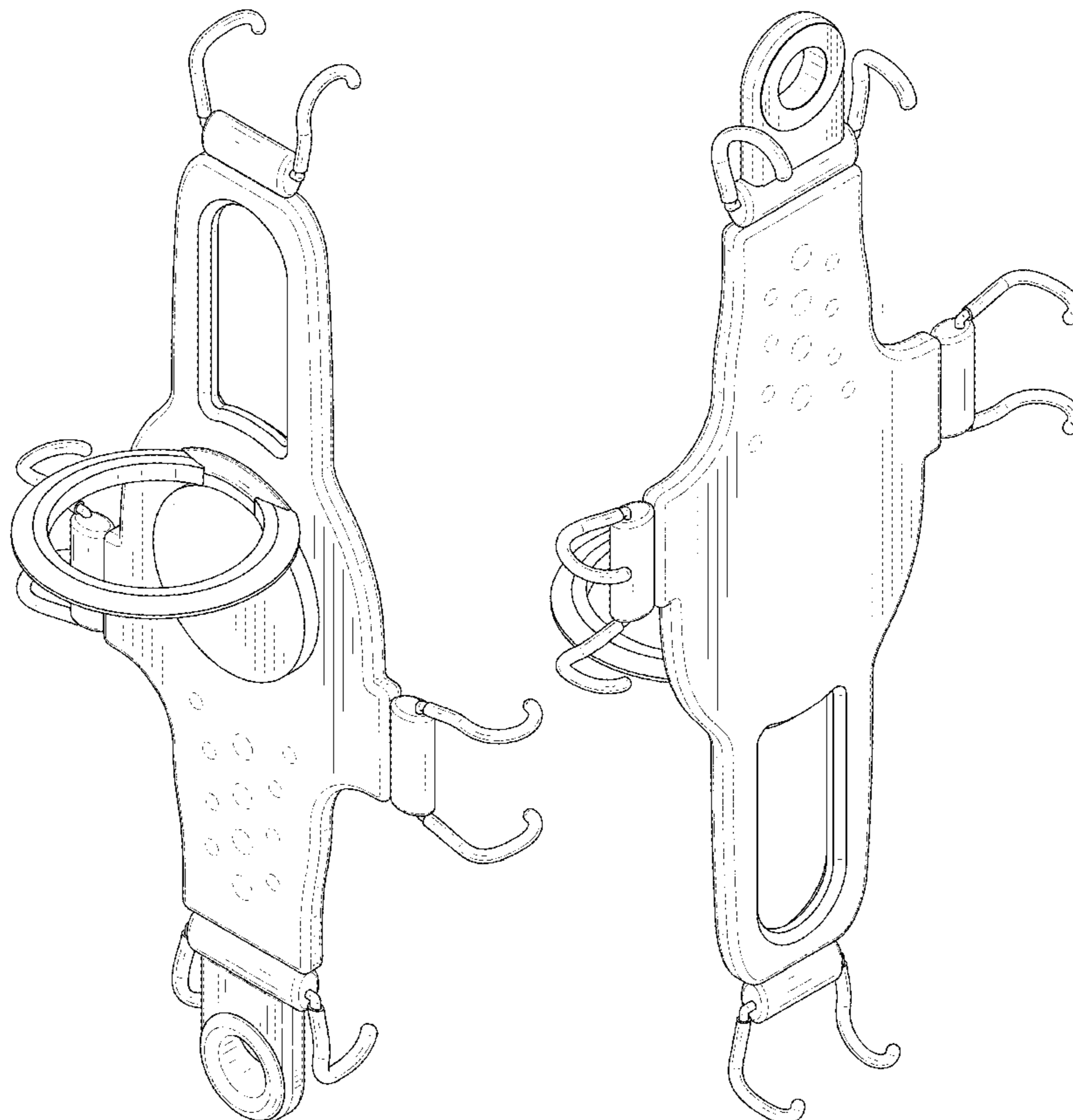
The ornamental design for a multifunctional elastic frame, as shown and described.

DESCRIPTION

FIG. 1 is a first perspective view of a multifunctional elastic frame showing my new design;
FIG. 2 is a second perspective view thereof;
FIG. 3 is a front view thereof;
FIG. 4 is a back view thereof;
FIG. 5 is a left side view thereof;
FIG. 6 is a right side view thereof;
FIG. 7 is a top view thereof; and,
FIG. 8 is a bottom view thereof.

The broken lines shown in the drawings depict portions of the multifunctional elastic frame that form part of the claimed design.

1 Claim, 8 Drawing Sheets



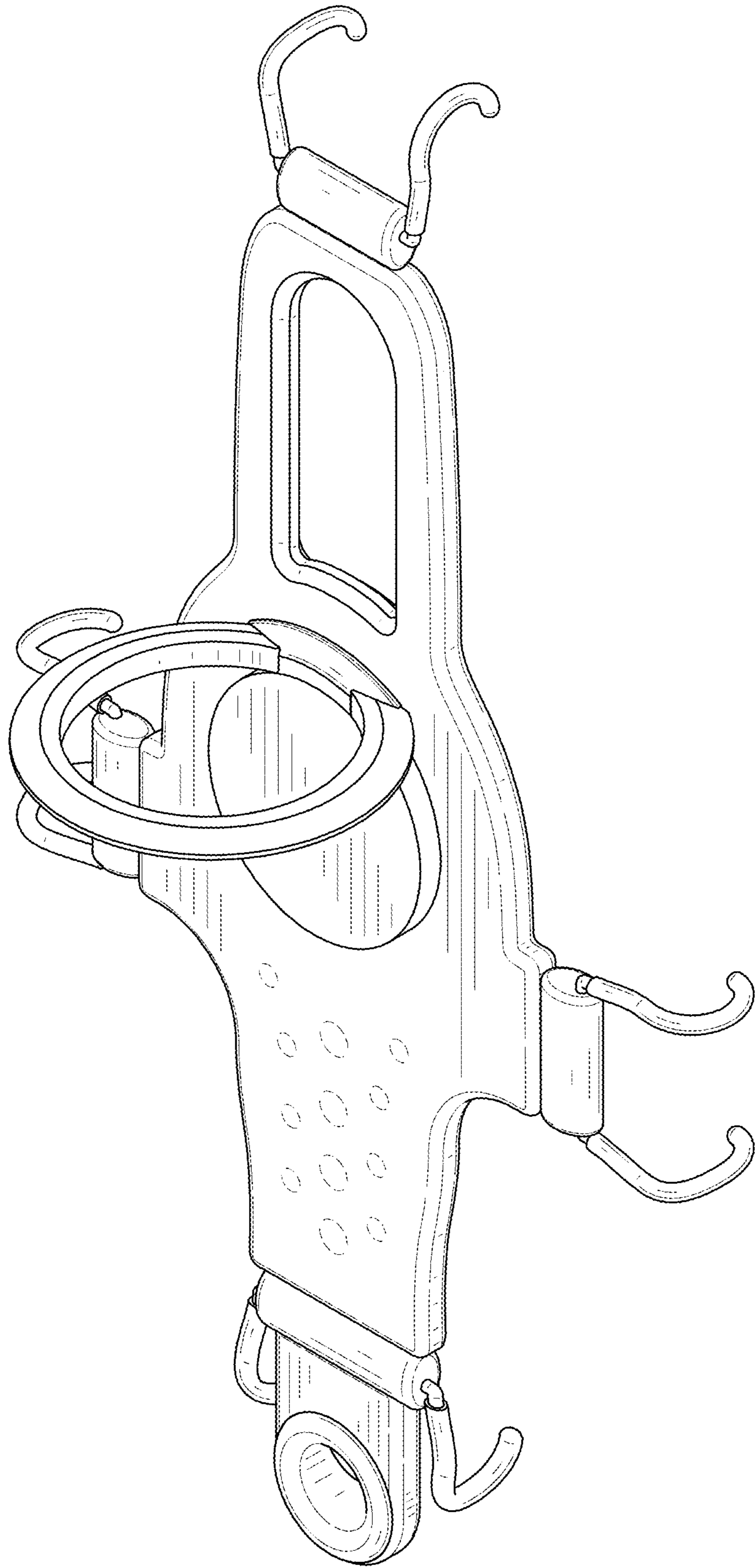


FIG. 1

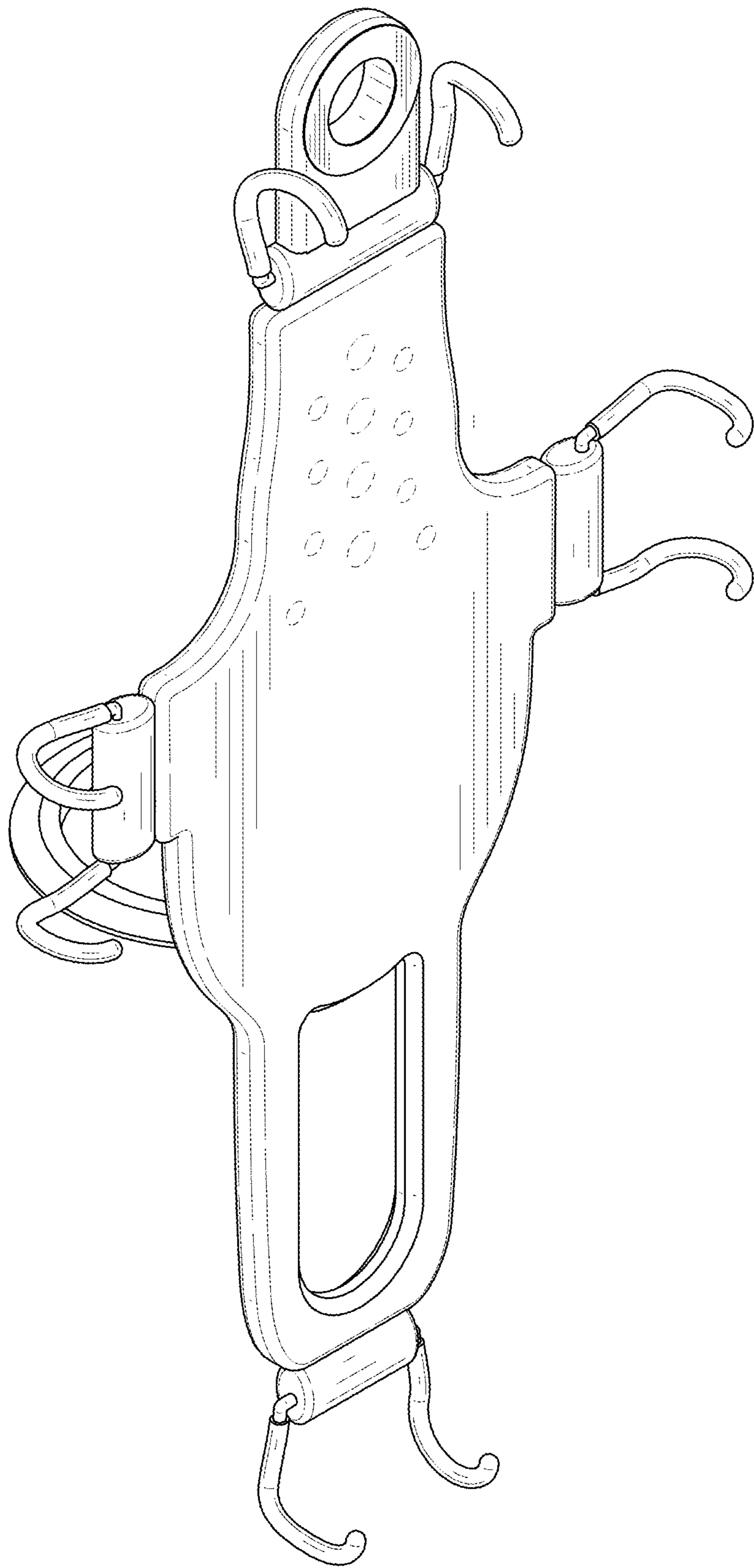


FIG. 2

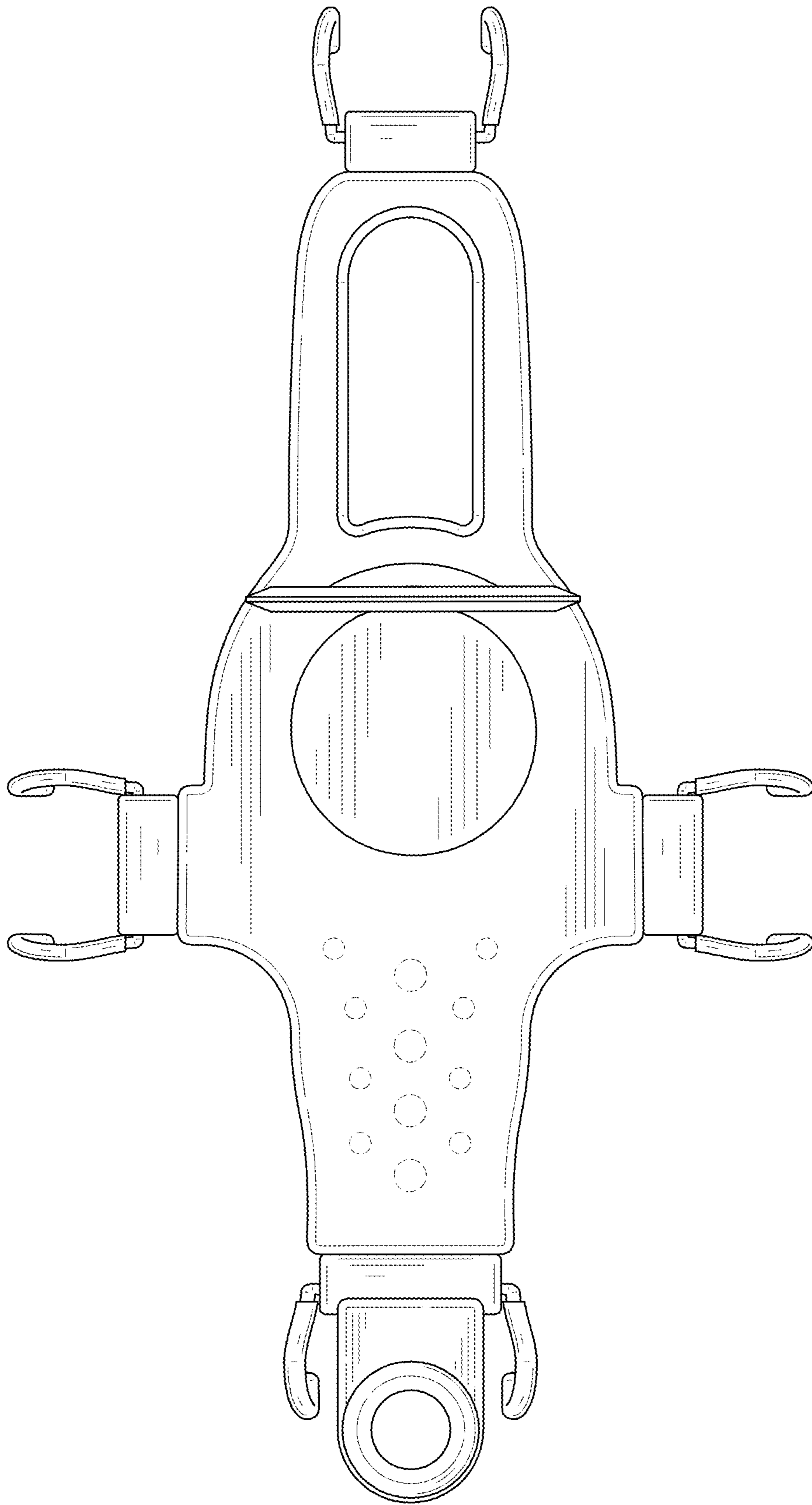


FIG. 3

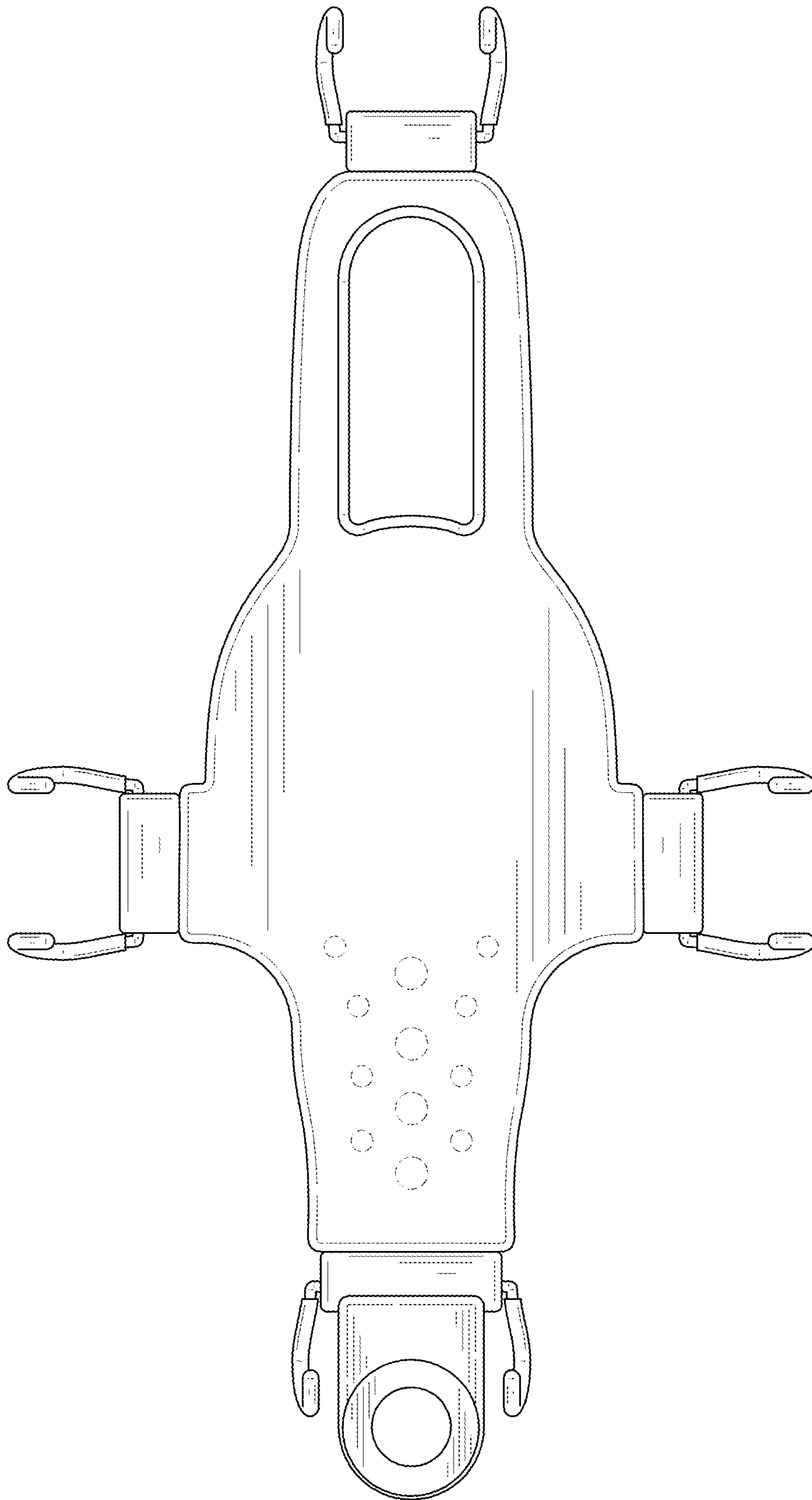


FIG. 4

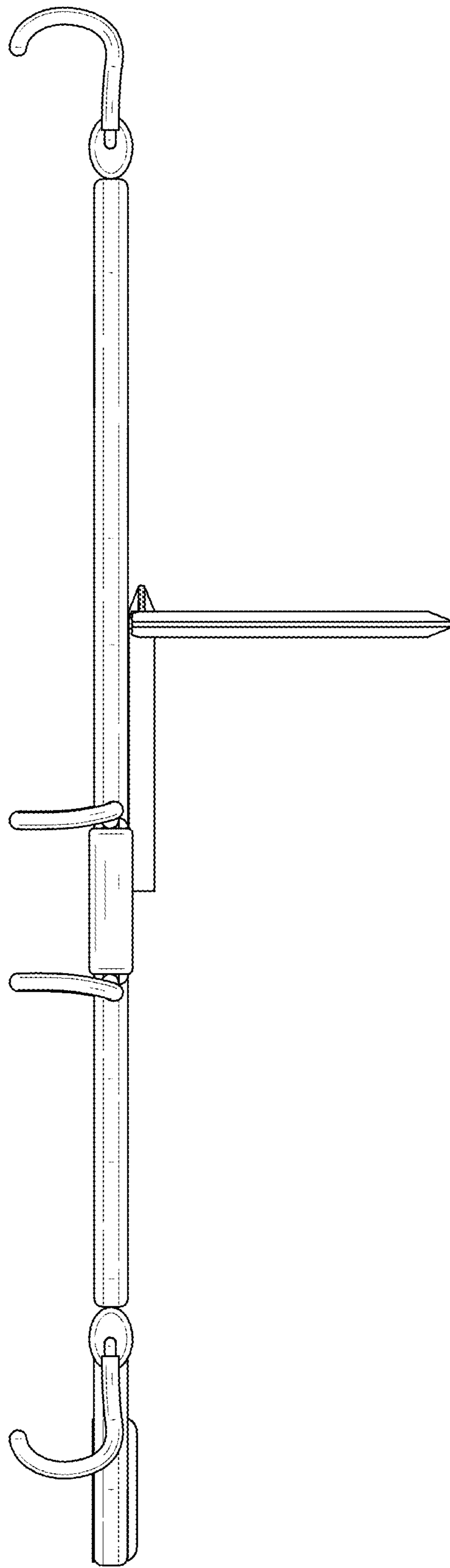


FIG. 5

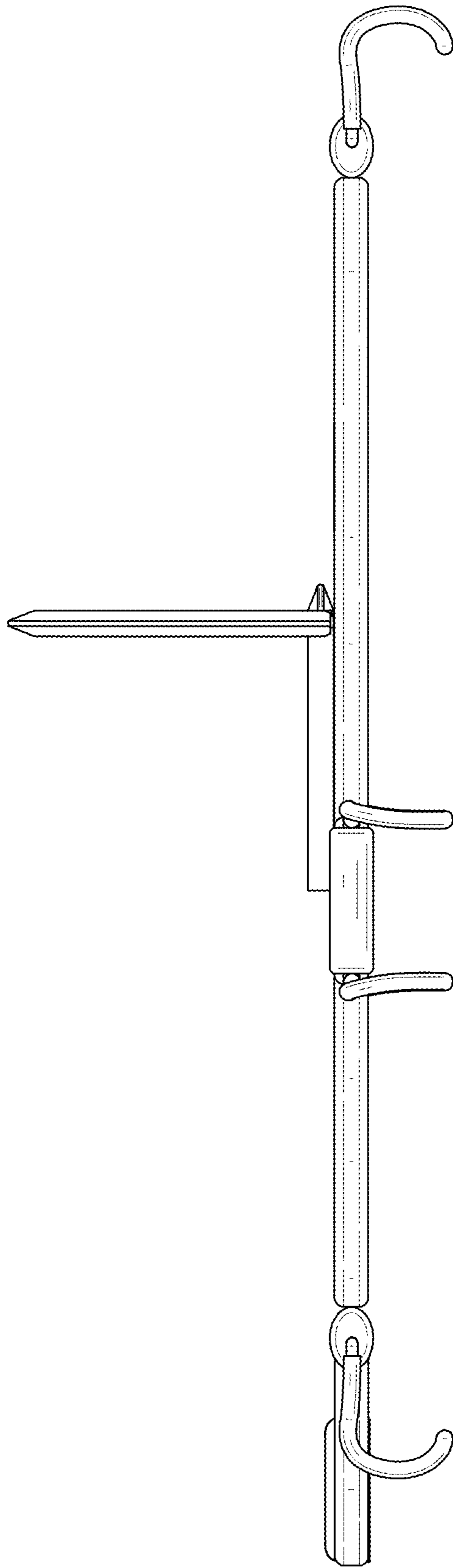


FIG. 6

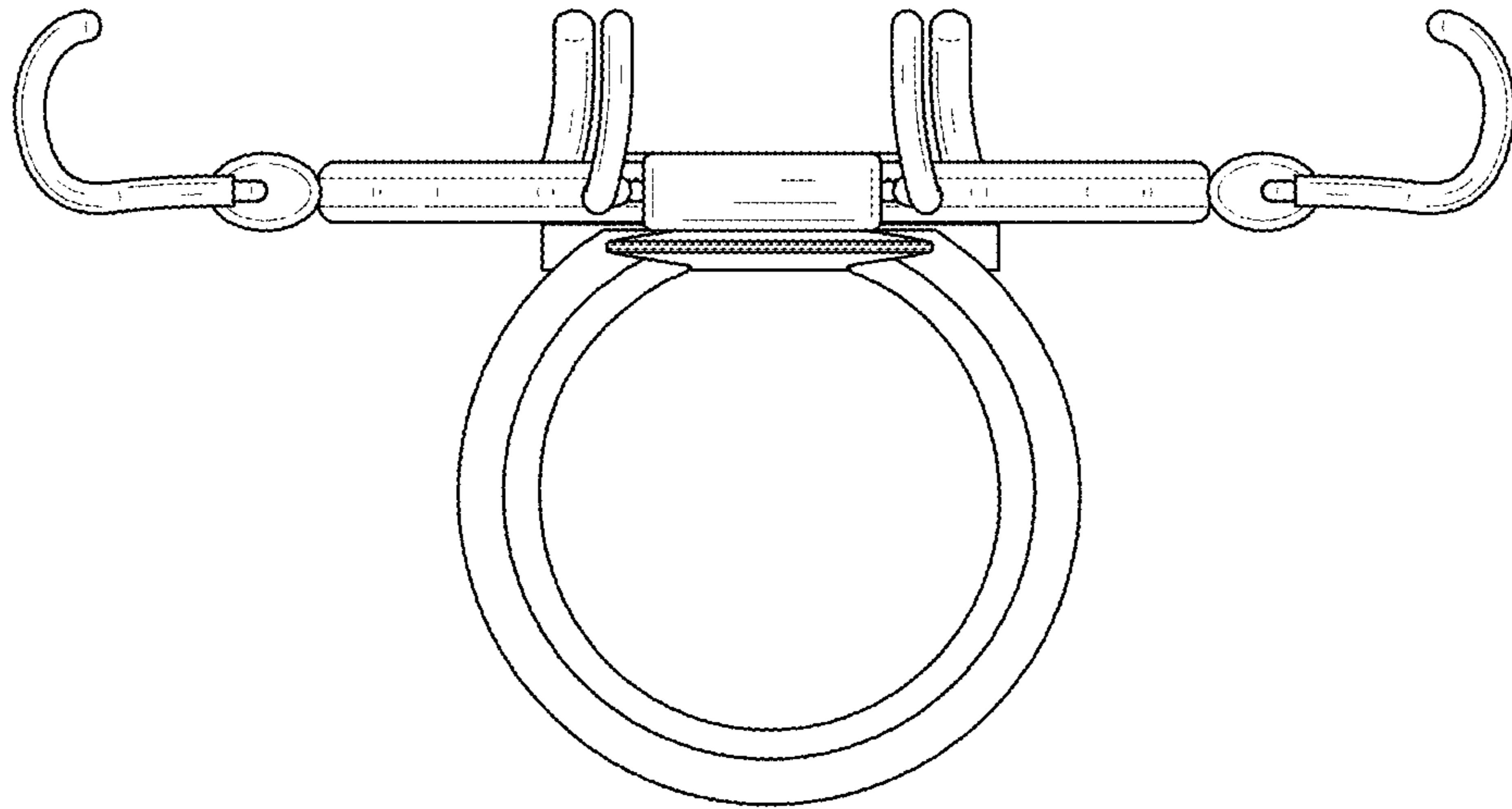


FIG. 7

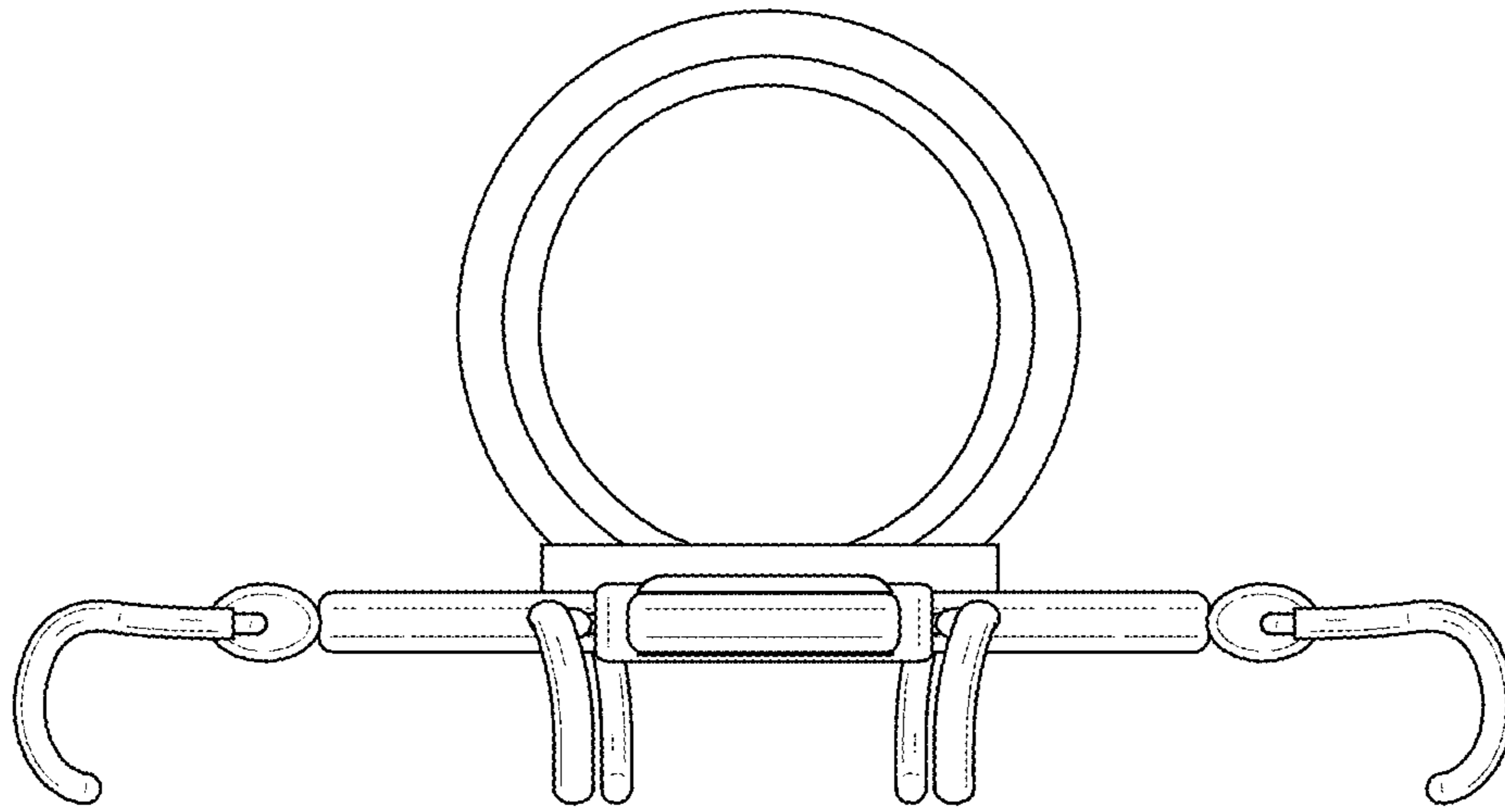


FIG. 8