



US00D881550S

(12) **United States Design Patent**
Skuse

(10) **Patent No.:** **US D881,550 S**

(45) **Date of Patent:** **** Apr. 21, 2020**

(54) **EXTENDABLE WALKING STICK**
(71) Applicant: **Brian Skuse**, Boston, MA (US)
(72) Inventor: **Brian Skuse**, Boston, MA (US)

(**) Term: **15 Years**

(21) Appl. No.: **29/677,358**

(22) Filed: **Jan. 18, 2019**

(51) **LOC (12) Cl.** **03-03**

(52) **U.S. Cl.**
USPC **D3/7**

(58) **Field of Classification Search**
USPC D3/5, 6, 7, 10
CPC A45B 1/00; A45B 3/00; A45B 7/00; A45B
9/00; A45B 2009/005; A45B 2009/007;
A45B 9/02; A45B 2200/05

See application file for complete search history.

(56) **References Cited**

U.S. PATENT DOCUMENTS

- 2,705,015 A * 3/1955 Langlais A45B 9/00
52/632
- 3,350,111 A * 10/1967 Sahlein A63C 11/22
280/813
- 3,378,272 A * 4/1968 Lewis A63C 11/222
280/822
- D274,100 S * 6/1984 Axton D3/7
- 4,533,140 A * 8/1985 Champion A01K 15/003
231/3
- D292,346 S * 10/1987 Kolomeyer D3/7
- D297,887 S * 10/1988 Hattersley D3/7
- 4,887,625 A * 12/1989 Archer A45B 9/00
135/75
- D309,933 S * 8/1990 Brown, Jr. D21/679
- D342,828 S * 1/1994 Steinbach D3/7
- 5,351,703 A * 10/1994 Moe A45B 3/00
135/66
- 5,577,827 A * 11/1996 Leffingwell A45B 3/00
135/66
- D396,742 S * 8/1998 Raymond D3/7

- D397,393 S * 8/1998 Reed D21/775
- D411,034 S * 6/1999 Evans D27/183
- 6,539,965 B1 * 4/2003 White, III A45B 3/08
135/65
- D479,767 S * 9/2003 Mudd D3/7
- 6,782,903 B1 * 8/2004 Jarman A45B 9/00
135/65
- 6,938,927 B1 * 9/2005 Martin A45B 7/00
135/69
- 7,650,898 B2 * 1/2010 Jarman A45B 9/00
135/69

(Continued)

Primary Examiner — Eric L Goodman
Assistant Examiner — Steven J Czyz
(74) *Attorney, Agent, or Firm* — Keeley DeAngelo LLP;
W Scott Keeley

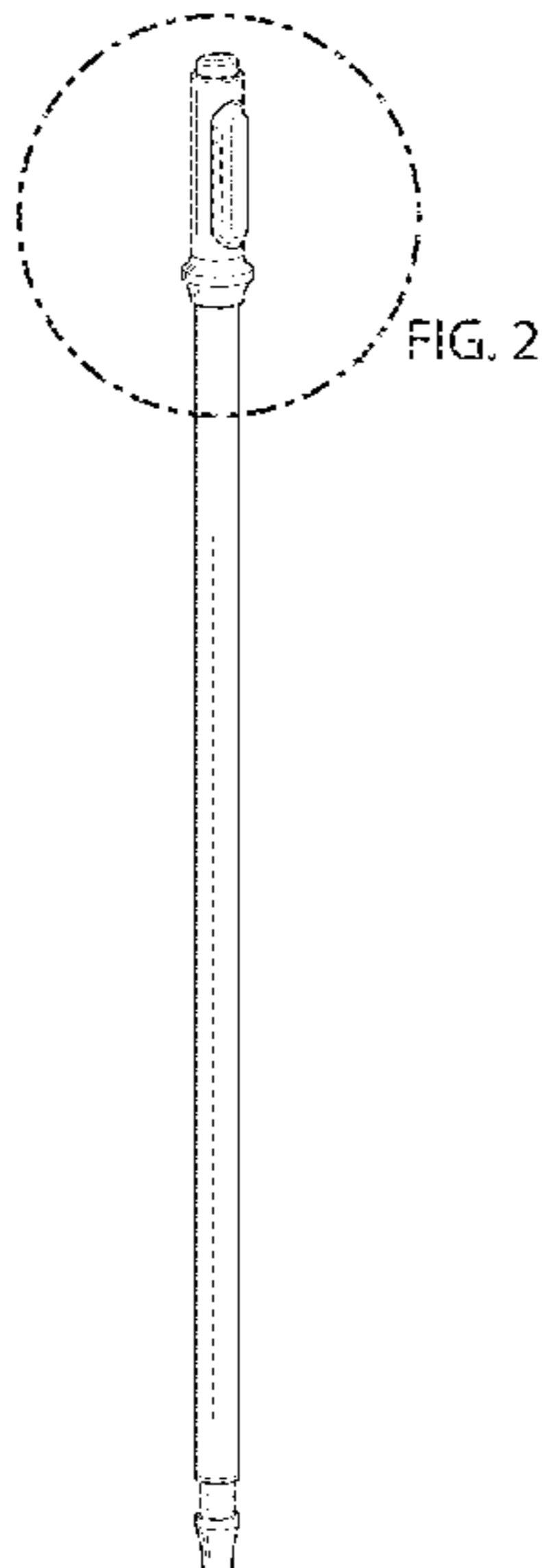
(57) **CLAIM**

The ornamental design for an extendable walking stick, as shown and described.

DESCRIPTION

FIG. 1 is a front right perspective view of an extendable walking;
FIG. 2 is an enlarged detail view of the extendable walking stick taken from the area within the indicated dash-dot-dash lines of FIG. 1;
FIG. 3 is a rear perspective view of the extendable walking stick;
FIG. 4 is a front view thereof;
FIG. 5 is a right side view the left side being a mirror image thereof;
FIG. 6 is a rear view thereof;
FIG. 7 is a top view thereof; and,
FIG. 8 is bottom view thereof.
The evenly spaced broken lines depict portions of the article that form no part of the claimed design.

1 Claim, 6 Drawing Sheets



(56)

References Cited

U.S. PATENT DOCUMENTS

8,136,542 B2 * 3/2012 Warren A45B 9/00
135/65
D685,568 S * 7/2013 You D3/10
8,800,578 B2 * 8/2014 Jackson A45B 3/00
135/66
8,985,130 B2 * 3/2015 Howarth A45B 9/00
135/114
D730,039 S * 5/2015 Kizaki D3/7
9,044,072 B2 * 6/2015 Lindsay, Jr. A45B 3/14
D734,020 S * 7/2015 Chisum D3/7
D740,015 S * 10/2015 Berberian D3/7
D740,543 S * 10/2015 Winters D3/5
9,198,488 B2 * 12/2015 Pronzati A45B 9/00
D754,962 S * 5/2016 Pennington D3/13
10,092,068 B2 * 10/2018 Jung A45B 9/02

* cited by examiner

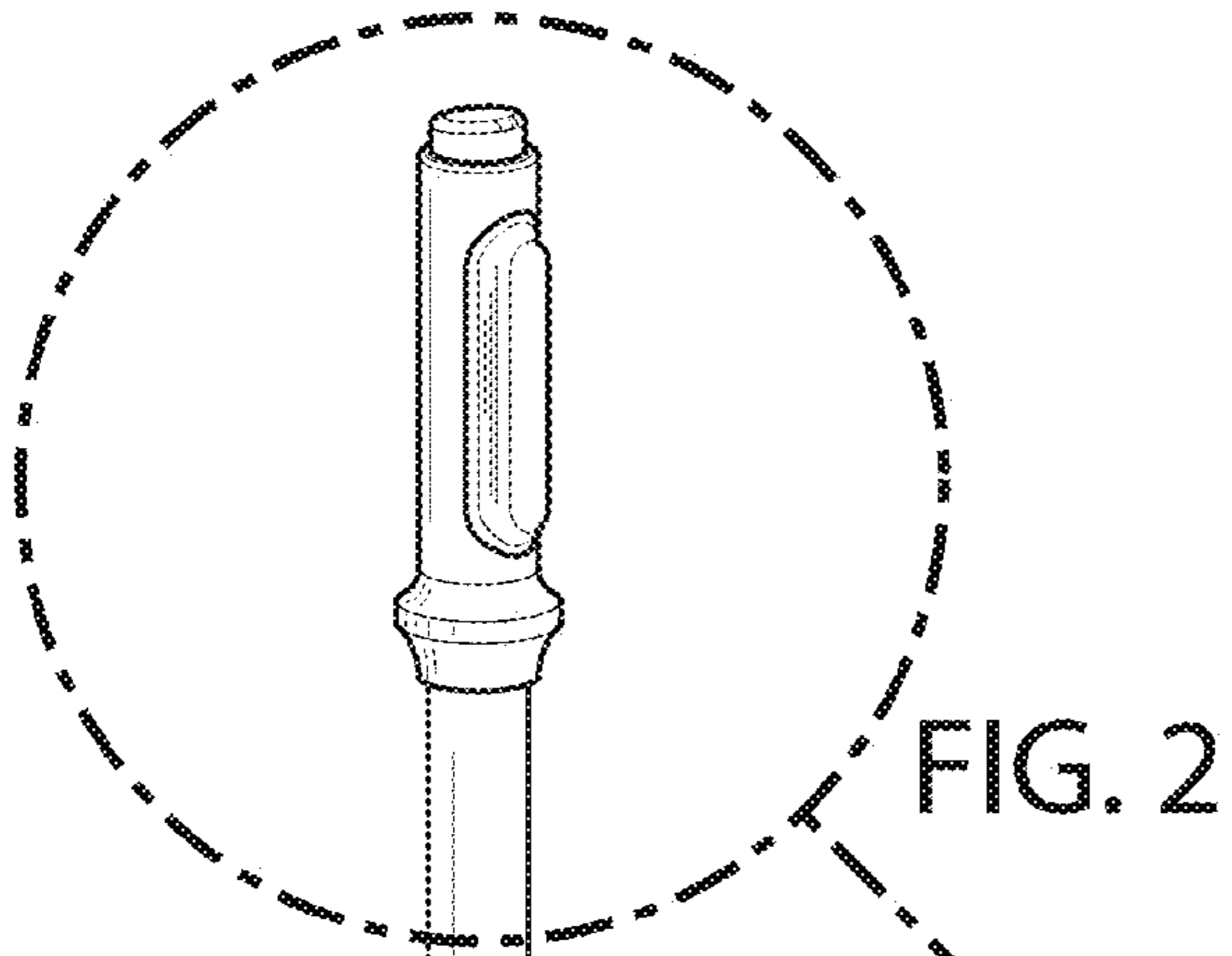


FIG. 2

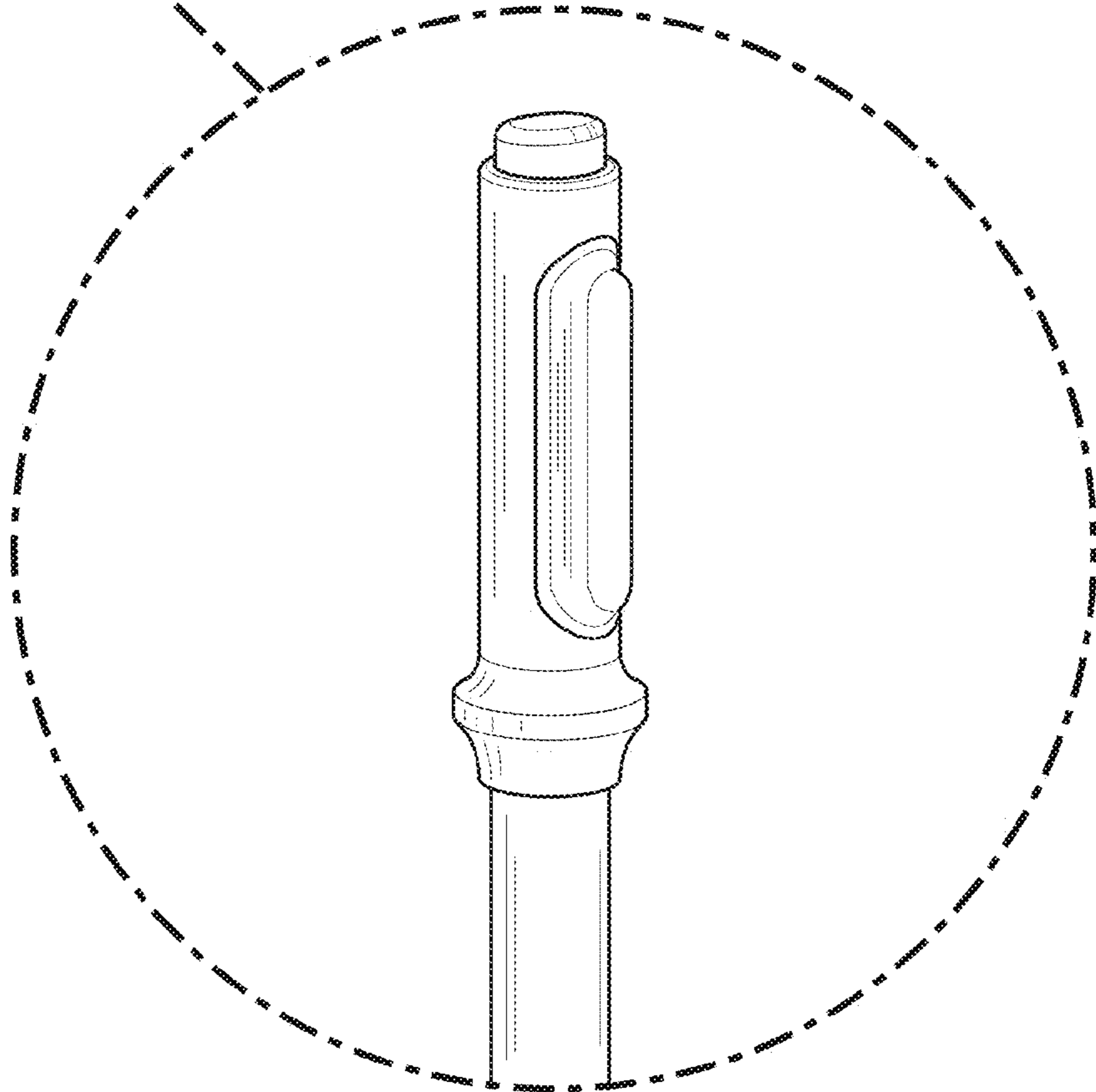


FIG. 2

FIG. 1

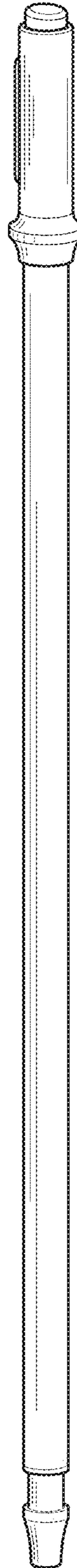


FIG. 3

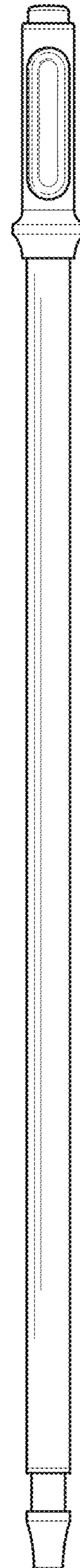


FIG. 4

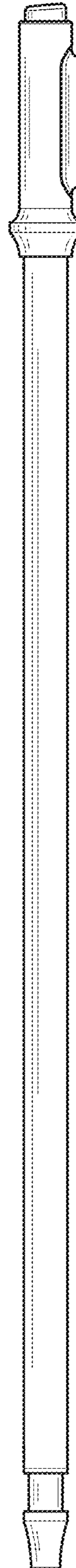


FIG. 5

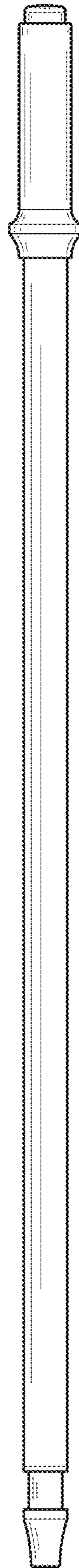


FIG. 6

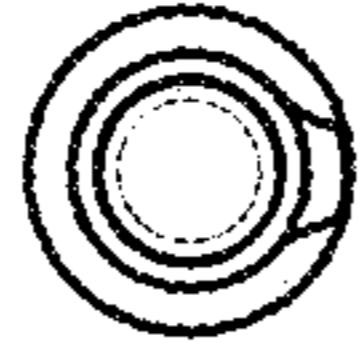


FIG. 7



FIG. 8