



US00D881549S

(12) **United States Design Patent**
Pashandi

(10) **Patent No.:** **US D881,549 S**

(45) **Date of Patent:** **** Apr. 21, 2020**

- (54) **AERODYNAMIC DELTA SHAPED UMBRELLA**
- (71) Applicant: **Jalal Pashandi**, Los Angeles, CA (US)
- (72) Inventor: **Jalal Pashandi**, Los Angeles, CA (US)
- (**) Term: **15 Years**
- (21) Appl. No.: **29/629,125**
- (22) Filed: **Dec. 11, 2017**
- (51) **LOC (12) Cl.** **03-03**
- (52) **U.S. Cl.**
USPC **D3/5**
- (58) **Field of Classification Search**
USPC D3/5, 6, 10; D21/363, 364, 445, 449,
D21/837, 838, 839; D25/13, 19, 23, 26,
D25/56, 57
CPC ... A45B 11/00; A45B 2011/005; A45B 13/00;
A45B 23/00; A45B 2023/0093; E04H
15/00; E04H 15/18; E04H 15/26; E04H
15/28; E04H 15/30; E04H 15/58; E04H
15/003
See application file for complete search history.

D497,479 S *	10/2004	Yu	D3/5
D544,104 S *	6/2007	Grotbeck	D25/56
D546,551 S *	7/2007	de Oliveira Santos	D3/5
D559,528 S *	1/2008	Clarke	D3/10
7,513,267 B2 *	4/2009	Gendriesch	A45B 11/00 135/31
D613,492 S *	4/2010	van Genugten	D3/5
D628,711 S *	12/2010	Mathis	D25/56
D628,712 S *	12/2010	Mathis	D25/56
D629,603 S *	12/2010	Liu	D3/5
D727,452 S *	4/2015	Yang	D21/837
D746,041 S *	12/2015	Lin	D3/5
D765,387 S *	9/2016	Chow	D3/5
D768,797 S *	10/2016	Shirley-Smith	D21/834
D781,389 S *	3/2017	Shirley-Smith	D21/839
D787,705 S *	5/2017	Grano	D25/23
D794,719 S *	8/2017	Villar	D21/445
D803,949 S *	11/2017	Ferrandino	D21/445
9,903,135 B1 *	2/2018	Todorov	E04H 15/30
D817,629 S *	5/2018	Kadric	D3/5

* cited by examiner

Primary Examiner — Steven J Czyz

(74) *Attorney, Agent, or Firm* — Edwin Tarver

(57) **CLAIM**

I claim the ornamental design for an aerodynamic delta shaped umbrella, as shown and described.

DESCRIPTION

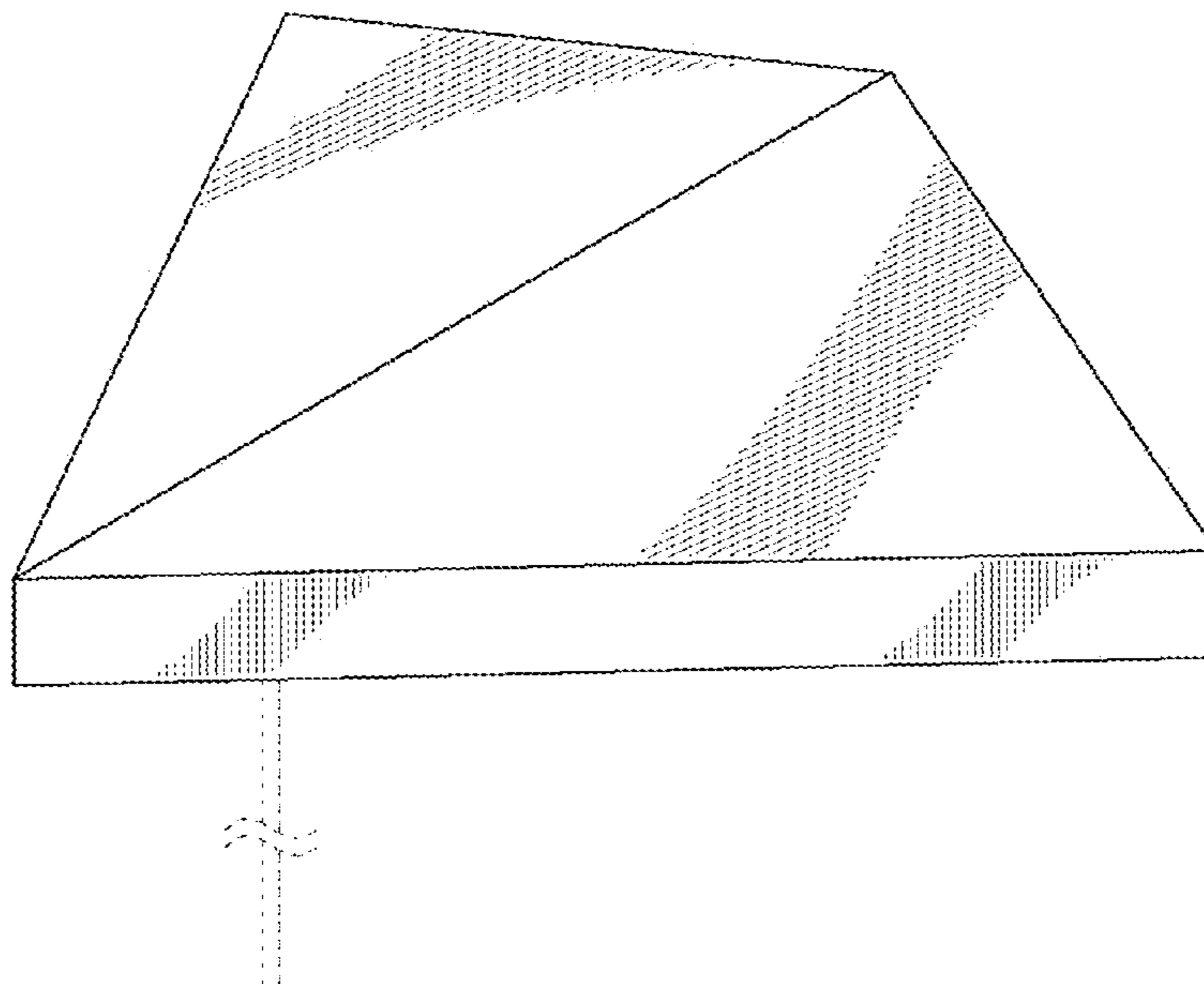
FIG. 1 is a perspective view of an aerodynamic delta shaped umbrella according to the new design;
 FIG. 2 is a left side elevation view thereof, the right side elevation view being a mirror image thereof;
 FIG. 3 is a front view thereof, the rear view being a mirror image thereof;
 FIG. 4 is a top plan view thereof; and,
 FIG. 5 is a bottom plan view thereof.
 The broken lines depict portions of the article that form no part of the claimed design.

1 Claim, 3 Drawing Sheets

(56) **References Cited**

U.S. PATENT DOCUMENTS

2,125,801 A *	8/1938	Morgan	E04H 15/003 135/115
4,133,149 A *	1/1979	Angress	E04B 1/34378 135/97
4,425,740 A *	1/1984	Golden	E04B 1/3211 16/225
4,665,665 A *	5/1987	Wilkinson	E04B 1/3211 52/81.4
4,798,032 A *	1/1989	Rose, Jr.	E04B 1/3211 52/309.9
D395,159 S *	6/1998	Santos	D3/5
D398,443 S *	9/1998	Bolle	D3/5



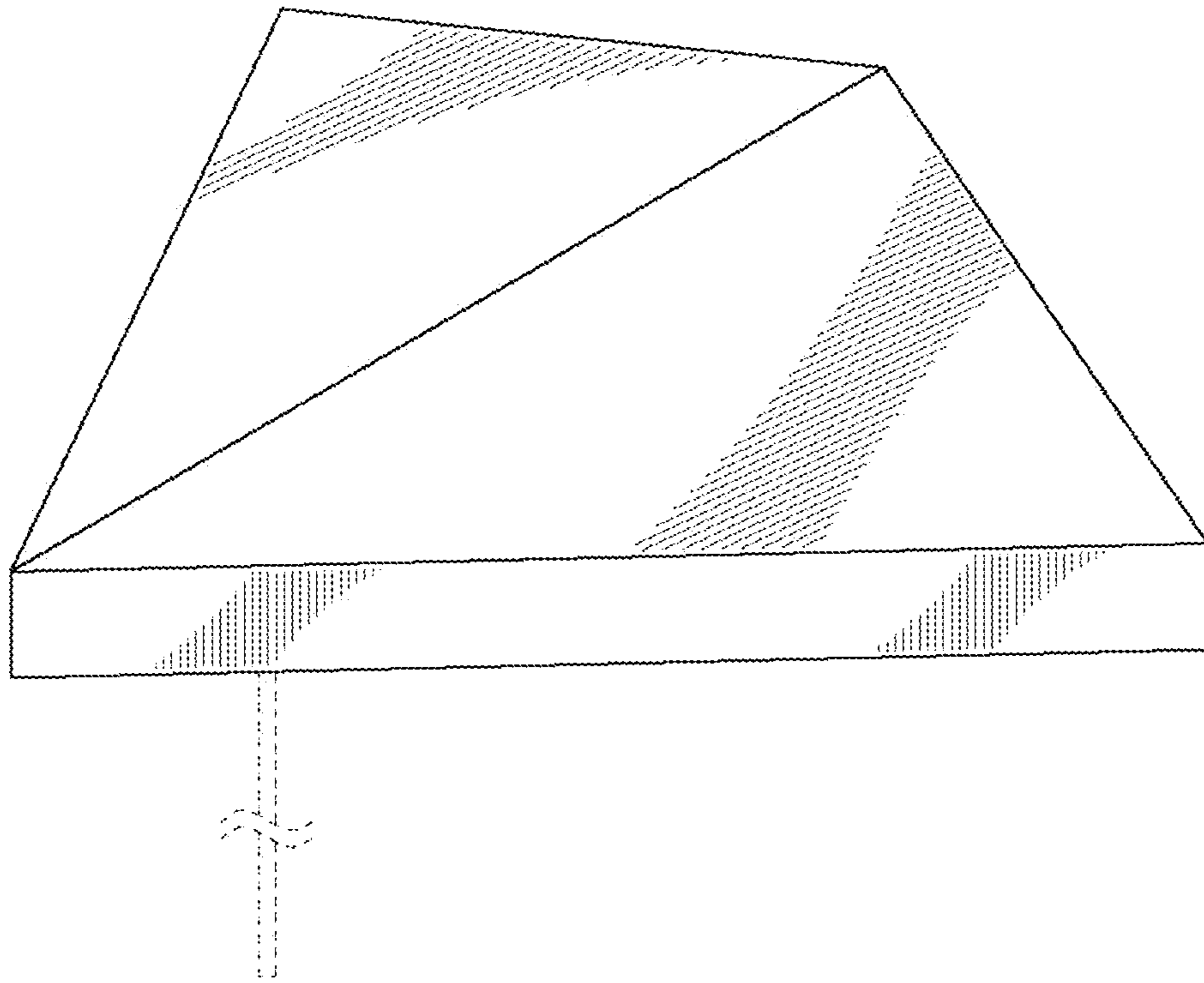


FIG. 1

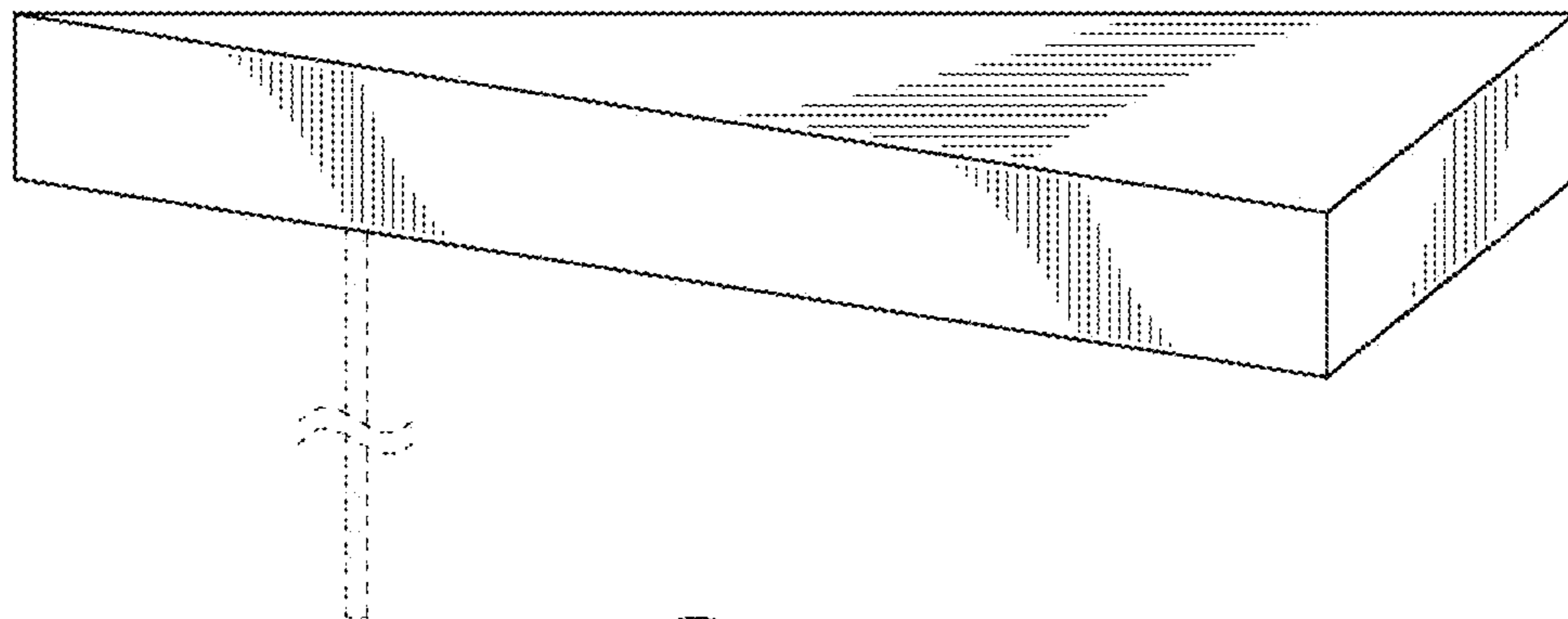


FIG. 2

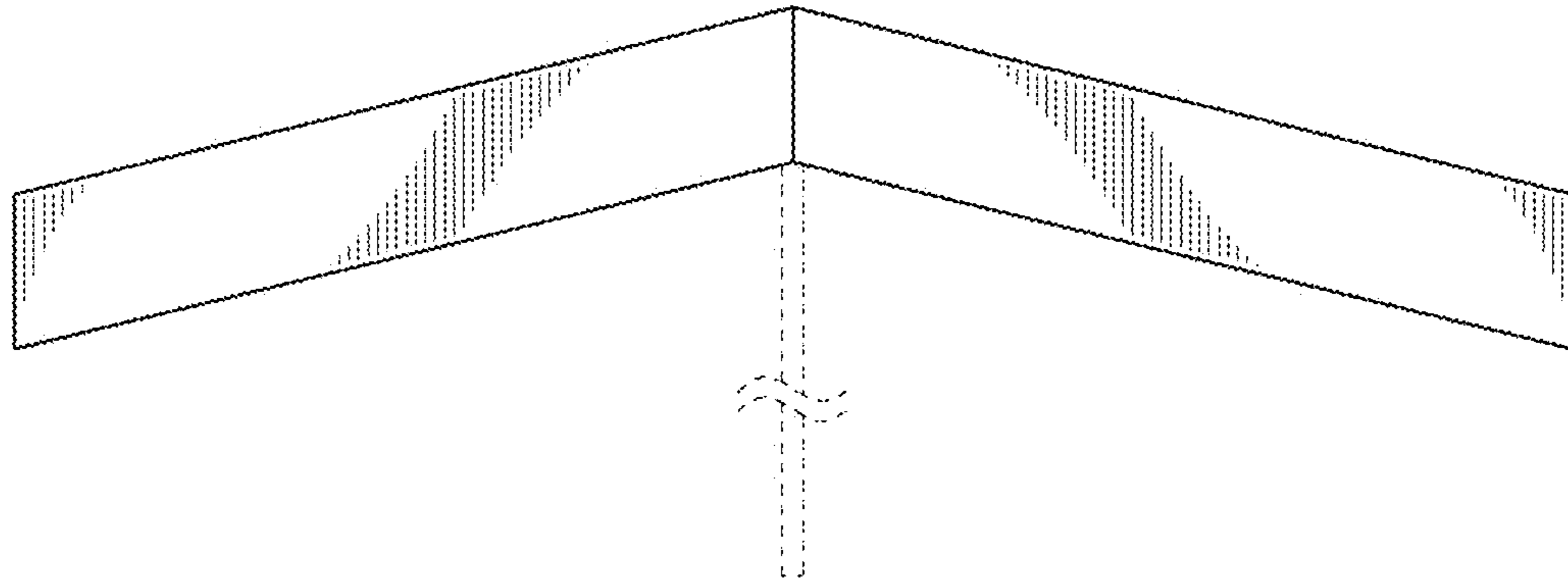


FIG. 3

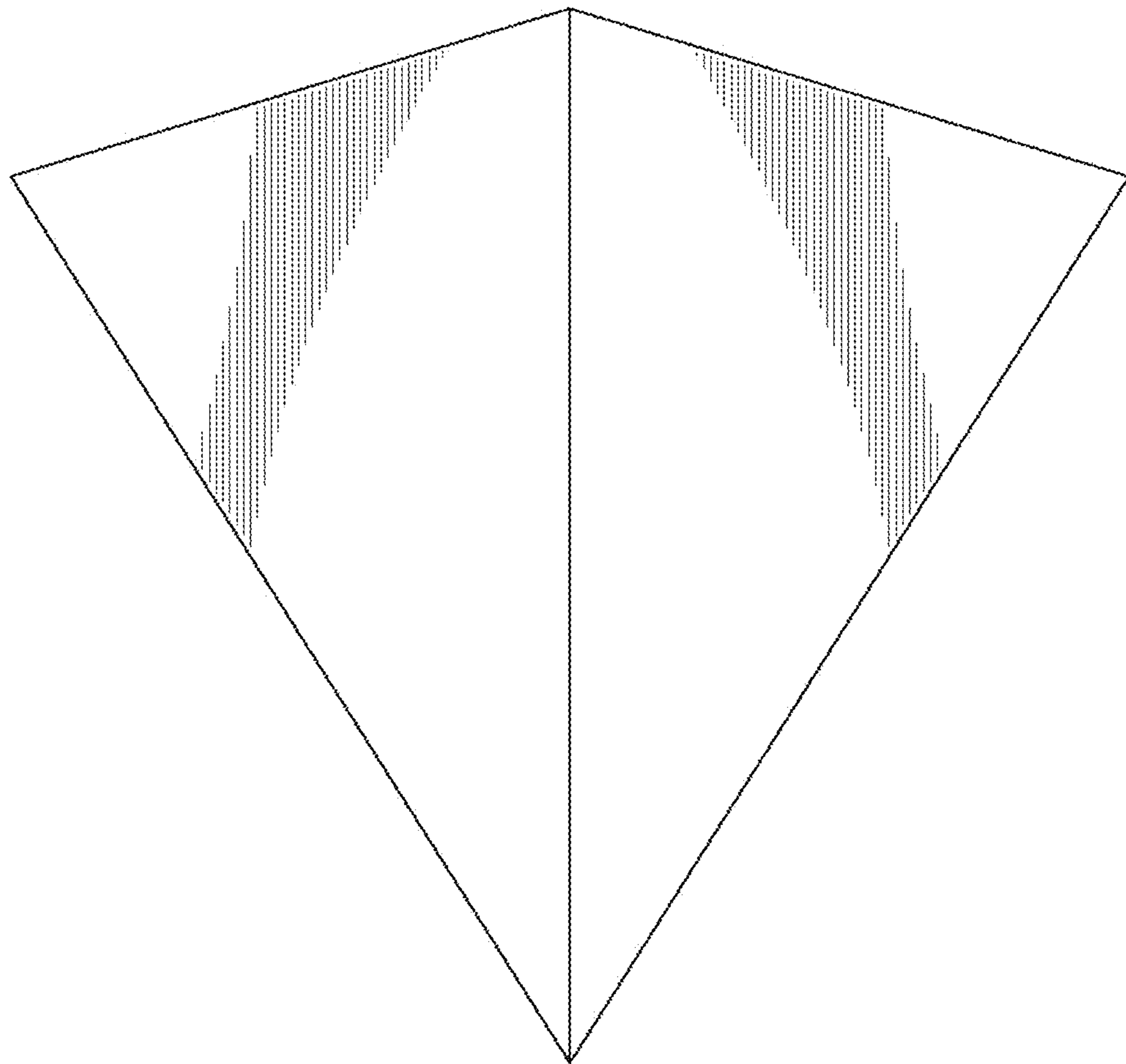


FIG. 4

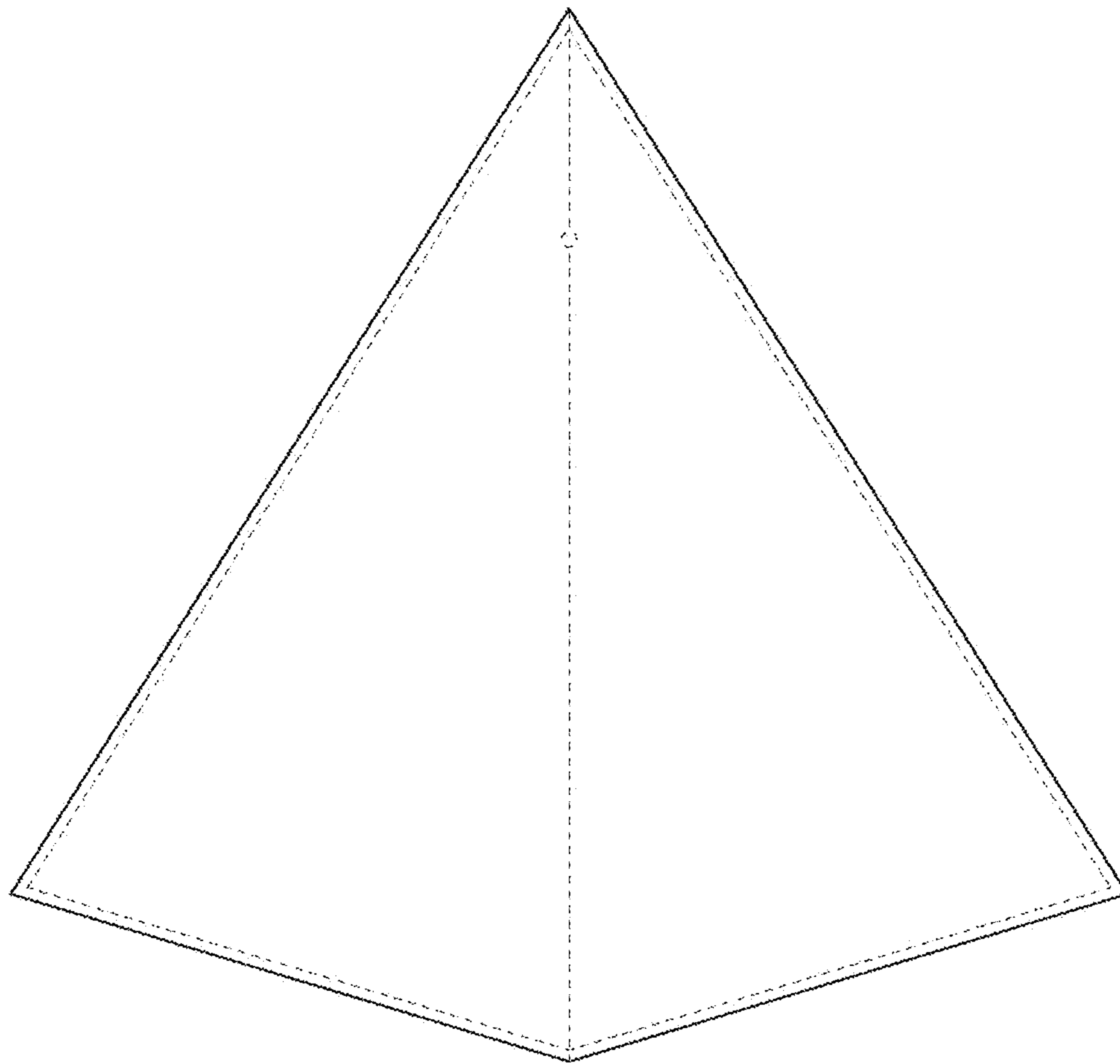


FIG. 5