



US00D881544S

(12) **United States Design Patent**
Sebastian

(10) **Patent No.:** **US D881,544 S**
(45) **Date of Patent:** **** Apr. 21, 2020**

(54) **SHOE**

(71) Applicant: **NIKE, Inc.**, Beaverton, OR (US)

(72) Inventor: **Lauren Sebastian**, Portland, OR (US)

(73) Assignee: **NIKE, Inc.**, Beaverton, OR (US)

(**) Term: **15 Years**

(21) Appl. No.: **29/660,339**

(22) Filed: **Aug. 20, 2018**

(51) **LOC (12) Cl.** **02-04**

(52) **U.S. Cl.**

USPC **D2/960**; D2/947; D2/951; D2/953

(58) **Field of Classification Search**

USPC D2/902, 906, 908, 916, 918, 925,
D2/946-962, 977; 36/1, 1.5, 3 B, 22 R,
36/24.5, 25 R, 28, 32 R, 34 R, 59 C,
36/67 A, 101-107, 114-116, 117.3, 117.4,
36/124-136; D12/544

CPC A43B 13/00; A43B 13/02; A43B 13/023;
A43B 13/026; A43B 13/04; A43B 13/08;
A43B 13/10; A43B 13/12; A43B 13/14;
A43B 13/141; A43B 13/143; A43B
13/16; A43B 13/18; A43B 13/181; A43B
13/187; A43B 13/189; A43B 13/20; A43B
13/22; A43B 13/223; A43B 13/24; A43B
13/28; A43B 13/30; A43B 13/32; A43B
13/34; A43B 13/36

See application file for complete search history.

(56) **References Cited**

U.S. PATENT DOCUMENTS

D287,661 S 1/1987 Tonkel
D388,314 S 12/1997 Tresser
D390,351 S 2/1998 Nevens et al.
D473,042 S * 4/2003 Wilson D2/953
D476,143 S * 6/2003 McDowell D2/947

D478,717 S 8/2003 Adams
D496,779 S 10/2004 Belley et al.
D500,914 S 1/2005 Ammon
D502,308 S * 3/2005 Teague D2/954
D504,007 S * 4/2005 Cintron D2/947
D507,399 S * 7/2005 White D2/951
D508,307 S 8/2005 Burg et al.
D521,715 S 5/2006 Lotti
7,225,564 B1 6/2007 Gillespie
D550,939 S * 9/2007 Smith D2/949
D565,283 S 4/2008 Smith et al.
D577,184 S * 9/2008 McMillan D2/951
D580,139 S * 11/2008 McClaskie D2/951
D586,093 S * 2/2009 Mermet D2/951

(Continued)

OTHER PUBLICATIONS

Nike V-Love O.X., Nike.com, [online], [site visited Nov. 22, 2019].
<URL: <https://www.nike.com/t/v-love-ox-shoe-ql17CM/AR4269-004>> (Year: 2019).*

(Continued)

Primary Examiner — T Chase Nelson

Assistant Examiner — Jonathan J. Han

(74) *Attorney, Agent, or Firm* — Banner & Witcoff, Ltd.

(57) **CLAIM**

The ornamental design for a shoe, as shown and described.

DESCRIPTION

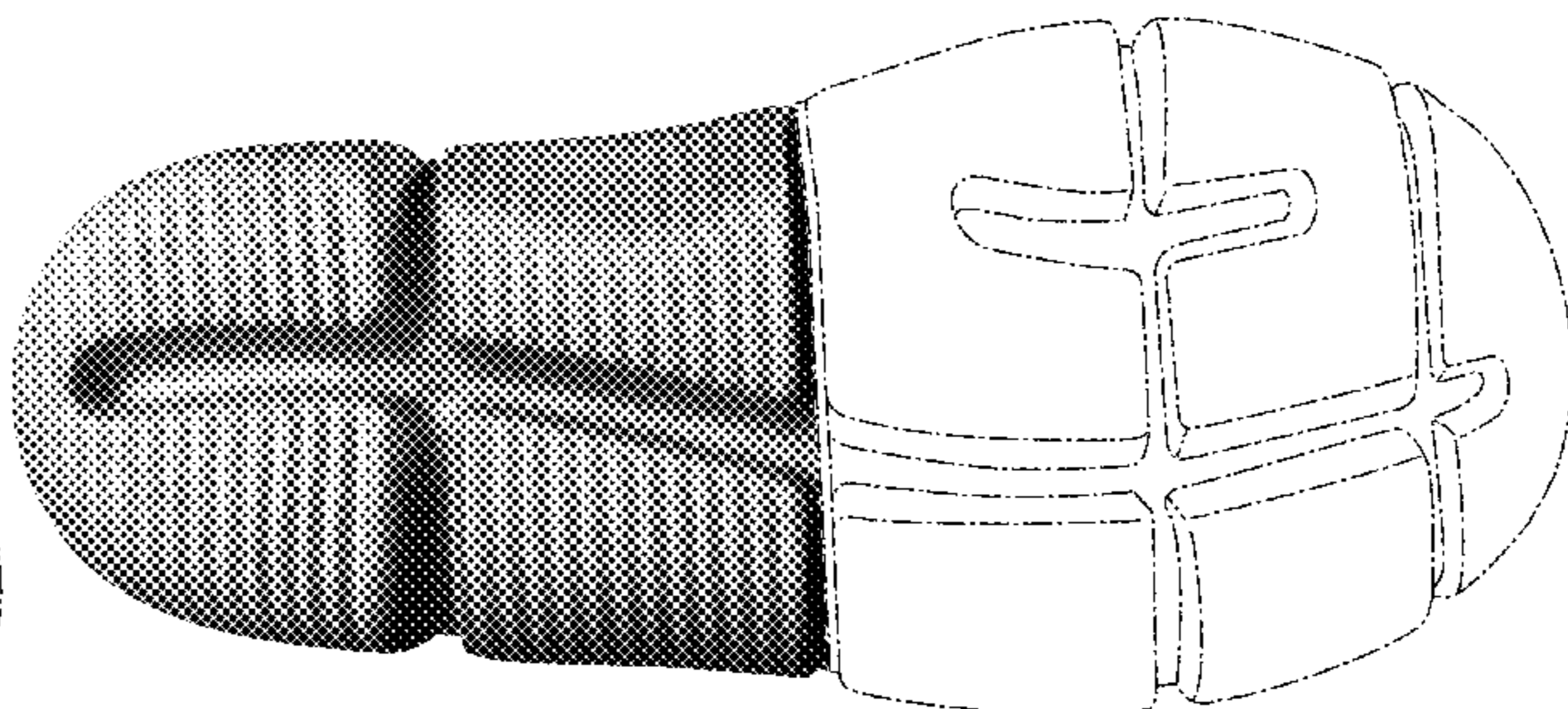
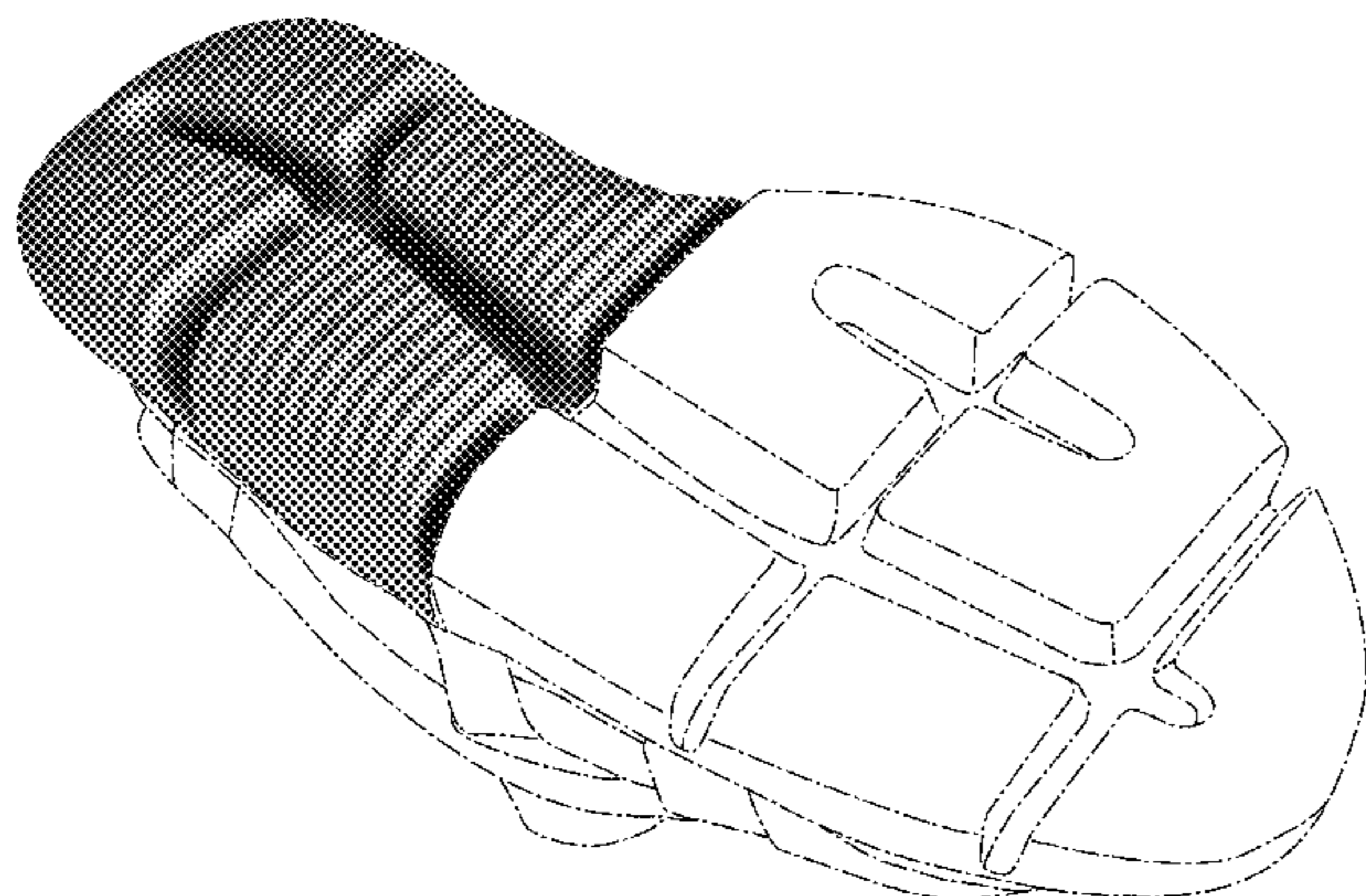
FIG. 1 is a front perspective view of a shoe showing my new design;

FIG. 2 is a bottom view thereof; and,

FIG. 3 is a rear perspective view thereof.

The broken lines immediately adjacent to the shaded area define the bounds of the claimed design and form no part thereof. The broken lines depicting the remainder of the shoe show features that form no part of the claimed design.

1 Claim, 3 Drawing Sheets



(56)

References Cited

U.S. PATENT DOCUMENTS

D602,683 S * 10/2009 Roundhouse D2/951
 7,637,035 B1 12/2009 Gillespie
 D616,188 S 5/2010 Chan
 7,707,748 B2 * 5/2010 Campbell A43B 5/001
 36/102
 D621,594 S 8/2010 Diaz
 D621,595 S 8/2010 McClaskie
 D632,879 S * 2/2011 Merkazy D2/953
 D635,755 S * 4/2011 McMillan D2/951
 7,941,941 B2 5/2011 Hazenberg et al.
 D642,362 S 8/2011 Miner
 D662,701 S 7/2012 Raysse
 D679,901 S 4/2013 Raysse
 8,505,219 B2 * 8/2013 Avar A43B 5/06
 36/102
 D719,725 S 12/2014 Katz et al.
 D724,297 S * 3/2015 Oliver D2/951
 D735,454 S 8/2015 Yun
 D736,508 S 8/2015 Taestensen
 D738,077 S 9/2015 Montross et al.
 D742,106 S 11/2015 Taestensen
 D746,562 S * 1/2016 Babcock D2/951
 D748,385 S 2/2016 Birkinhead et al.
 D768,368 S 10/2016 Birkinhead et al.
 D778,566 S * 2/2017 Chang D2/951
 D779,182 S 2/2017 Hobson
 9,615,625 B1 * 4/2017 Huard A43B 13/026
 D788,421 S 6/2017 Gibson
 D792,690 S * 7/2017 Swierszczk D2/951
 D797,426 S * 9/2017 Wegener D2/947
 D798,037 S 9/2017 Montross et al.
 D801,658 S * 11/2017 Huard D2/960
 D802,897 S 11/2017 Howe
 D804,159 S 12/2017 Allemann et al.
 D811,067 S * 2/2018 Matthews D2/960
 D814,755 S 4/2018 McManus

D825,165 S 8/2018 Gibson et al.
 10,271,614 B2 * 4/2019 Huard A43B 13/026
 D851,885 S * 6/2019 Sebastian D2/960
 D853,696 S * 7/2019 Roxe D2/923
 2005/0150134 A1 * 7/2005 Issler A43B 13/141
 36/102
 2005/0262739 A1 12/2005 McDonald et al.
 2008/0229617 A1 9/2008 Johnson et al.
 2010/0180474 A1 7/2010 Clark et al.
 2015/0135558 A1 * 5/2015 Inomata A43B 13/14
 36/25 R
 2016/0219974 A1 8/2016 Izquieta Anaut

OTHER PUBLICATIONS

Nike Air Max 95 by You, Nike.com, [online], [site visited Nov. 22, 2019]. <URL: <https://www.nike.com/u/nike-air-max-95-by-you-10000265/297834496>> (Year: 2019).*

Puma Faas 600 v2, RunnerClick.com, by Mike Gray, [online], [site visited Nov. 22, 2019]. <URL: <https://runnerclick.com/puma-faas-600-v2-review/>> (Year: 2019).*

Nike Footwear Catalog, 2002 Fall Footwear, p. 19, published Nov. 2001, NIKE, Inc., USA.

Nike Dynamo Free [online], retrieved Nov. 6, 2018], retrieved from Nike [Internet] <URL: <<https://www.nike.com/t/dynamo-free-infant-toddler-kids-shoe-NAxko2/343938-426>> >; 4 color sheets, Published date unknown but prior to the filing date of the present application.

Nike Dynamo Free (PS) Ghost Green/Hyper Grape 343738-305 [online], retrieved Nov. 6, 2018], retrieved from Amazon [Internet] < URL: <<https://www.amazon.com/NIKE-DYNAMO-GHOST-GREEN-343738-305/dp/B01FQHFHQU>>; 5 color sheets, Published date unknown but prior to the filing date of the present application.

U.S. Appl. No. 29/660,335.

* cited by examiner

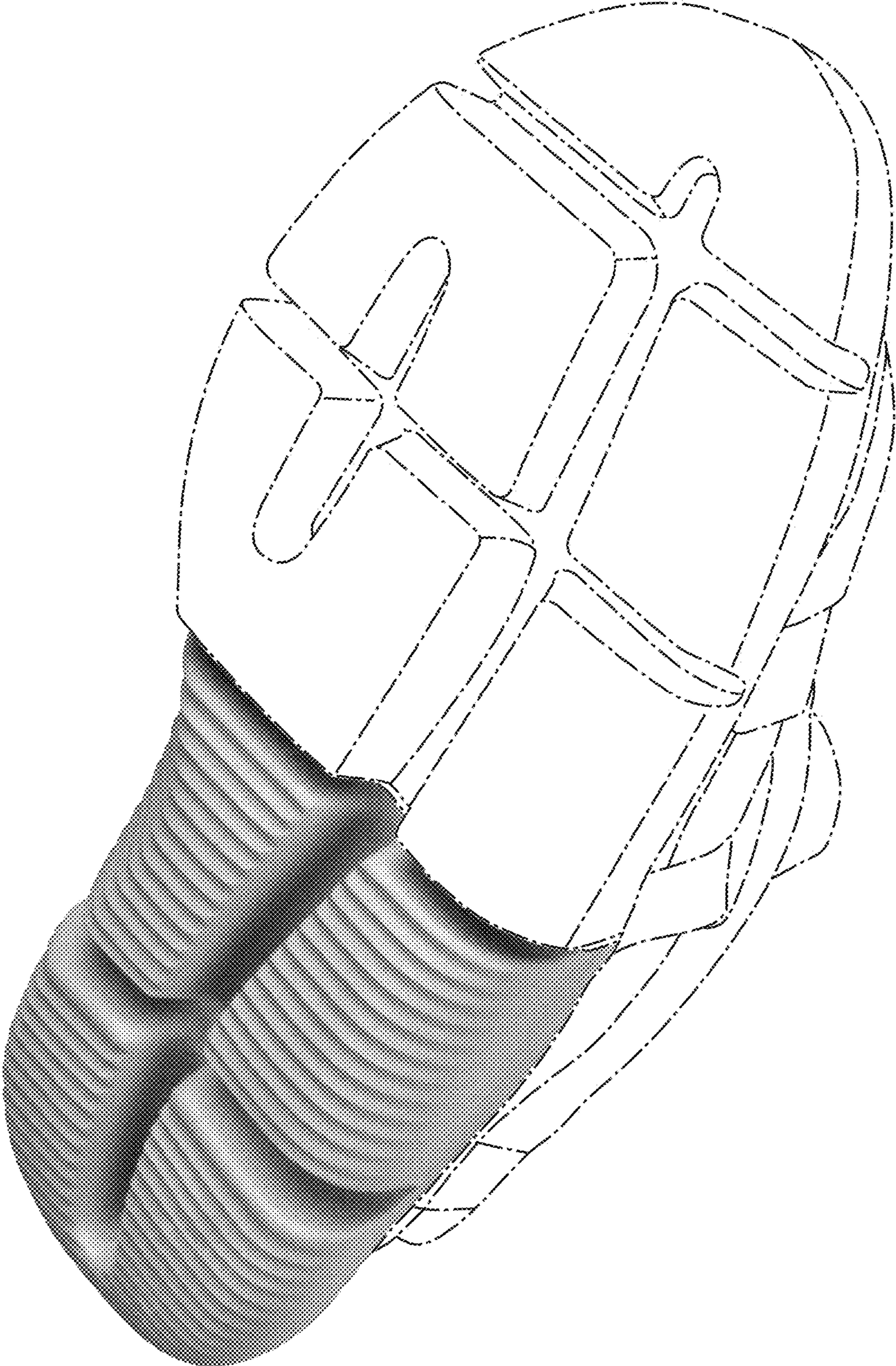


FIG. 1

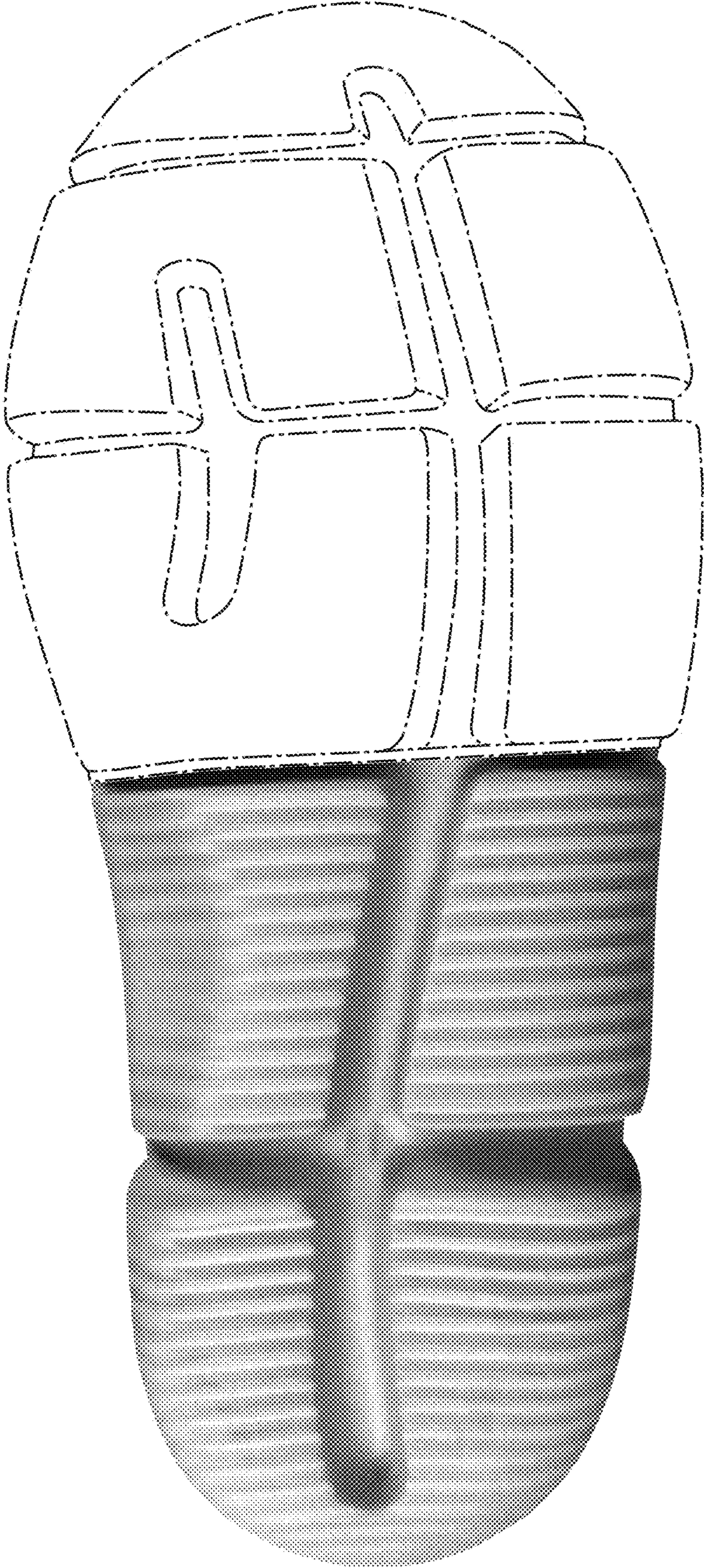


FIG. 2

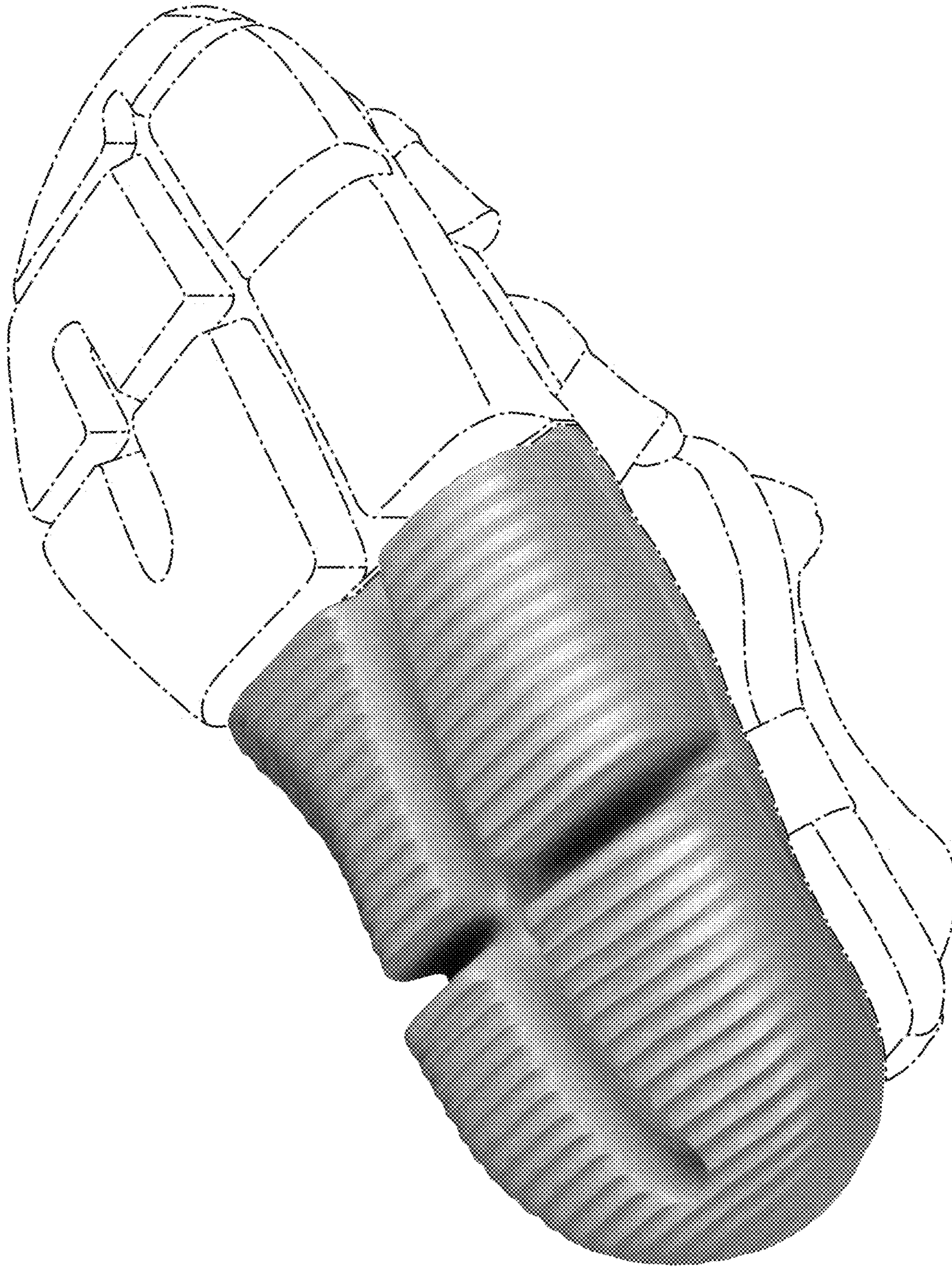


FIG. 3