



US00D881531S

(12) **United States Design Patent**  
**McAdams**

(10) **Patent No.:** **US D881,531 S**

(45) **Date of Patent:** **\*\* Apr. 21, 2020**

- (54) **BIB WITH POUCHES**
- (71) Applicant: **Allrights LLC**, Santa Fe, NM (US)
- (72) Inventor: **Shea Davis McAdams**, Oroville, CA (US)
- (73) Assignee: **Allrights LLC**, Santa Fe, NM (US)
- (\*\*) Term: **15 Years**
- (21) Appl. No.: **29/664,295**
- (22) Filed: **Sep. 24, 2018**
- (51) **LOC (12) Cl.** ..... **02-02**
- (52) **U.S. Cl.**  
USPC ..... **D2/864**
- (58) **Field of Classification Search**  
USPC ..... D2/860, 861, 862, 864  
CPC ..... A41B 13/00; A41B 13/10; A41B 13/103  
See application file for complete search history.

D493,024	S	*	7/2004	Bergkvist	.....	D2/860
D530,887	S	*	10/2006	Harless	.....	D2/861
D540,511	S	*	4/2007	Toomer	.....	D2/861
D541,012	S	*	4/2007	Gottelher	.....	D2/864
7,269,857	B2	*	9/2007	Cymbol	.....	A41B 13/103 2/49.1
D661,468	S	*	6/2012	Michaels	.....	D2/864
D698,130	S	*	1/2014	Worden, IV	.....	D2/864
D699,926	S	*	2/2014	Sakanishi	.....	D2/864
D811,700	S	*	3/2018	D'Amato-Friedman	.....	D2/864
2007/0143904	A1	*	6/2007	Brown	.....	A41B 13/103 2/49.1

\* cited by examiner

*Primary Examiner* — Susan E Krakower  
*Assistant Examiner* — Jerry Shiuan-Hua Hsu

(57) **CLAIM**

The ornamental design for a bib with pouches, as shown and described.

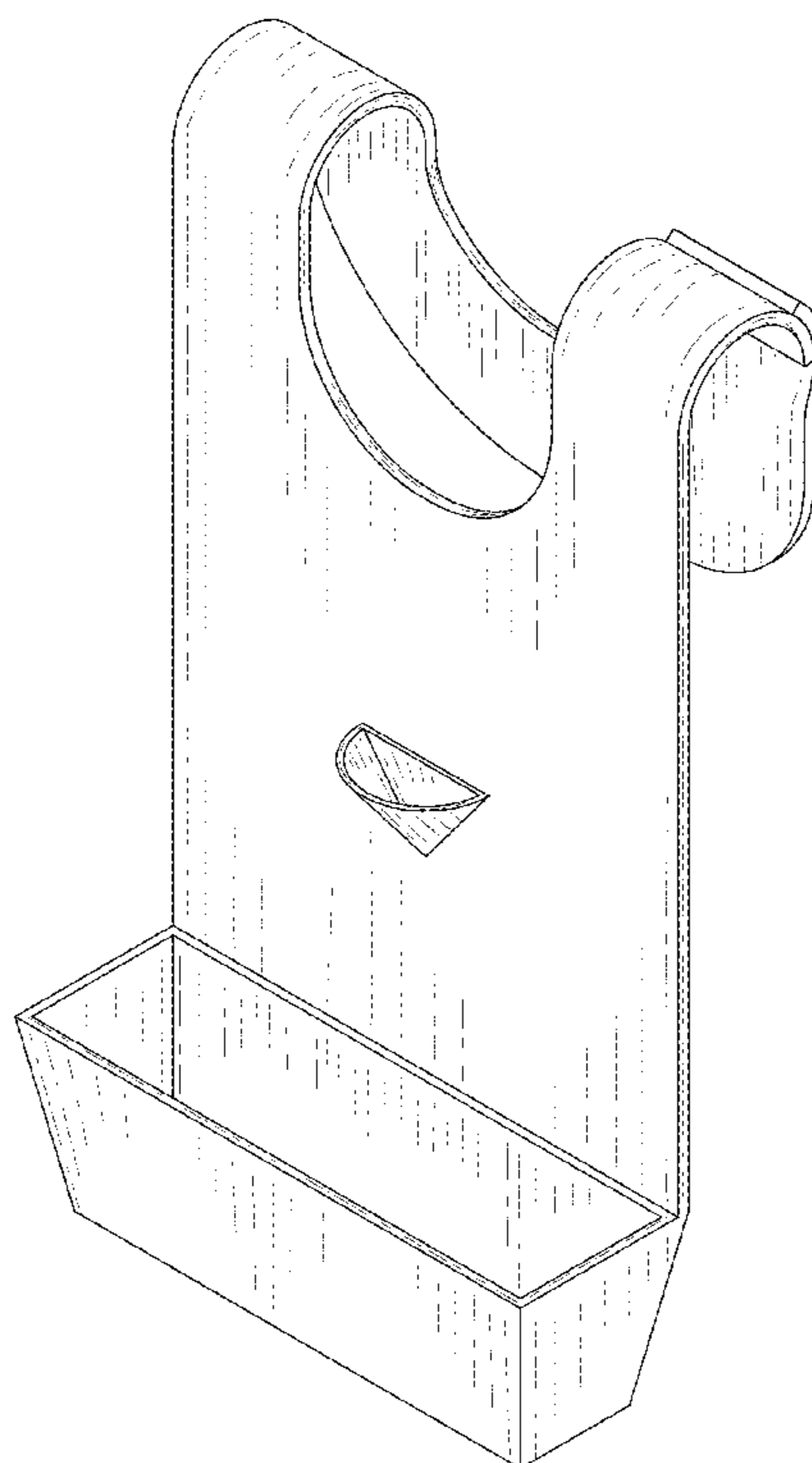
**DESCRIPTION**

FIG. 1 is a top front perspective view of a bib with pouches showing my new design;  
FIG. 2 is a bottom front perspective view thereof;  
FIG. 3 is a top rear perspective view thereof;  
FIG. 4 is a front view thereof;  
FIG. 5 is a rear view thereof;  
FIG. 6 is a left view thereof;  
FIG. 7 is a right view thereof;  
FIG. 8 is a top view thereof;  
FIG. 9 is a bottom view thereof; and,  
FIG. 10 is a cross-sectional view, taken along lines 10-10, shown in FIG. 4.

**1 Claim, 10 Drawing Sheets**

(56) **References Cited**  
U.S. PATENT DOCUMENTS

3,407,407	A	*	10/1968	Hollander	.....	A41B 13/103 2/49.2
D216,291	S	*	12/1969	Korshak	.....	D2/864
D307,070	S	*	4/1990	Wymer	.....	D2/864
D311,445	S	*	10/1990	Dawahare	.....	D2/864
5,504,941	A	*	4/1996	Sell	.....	A41B 13/103 2/247
D383,891	S	*	9/1997	Hill	.....	D2/861
D394,339	S	*	5/1998	Hill	.....	D2/860
6,481,016	B1	*	11/2002	Rees	.....	A41B 13/10 2/49.1



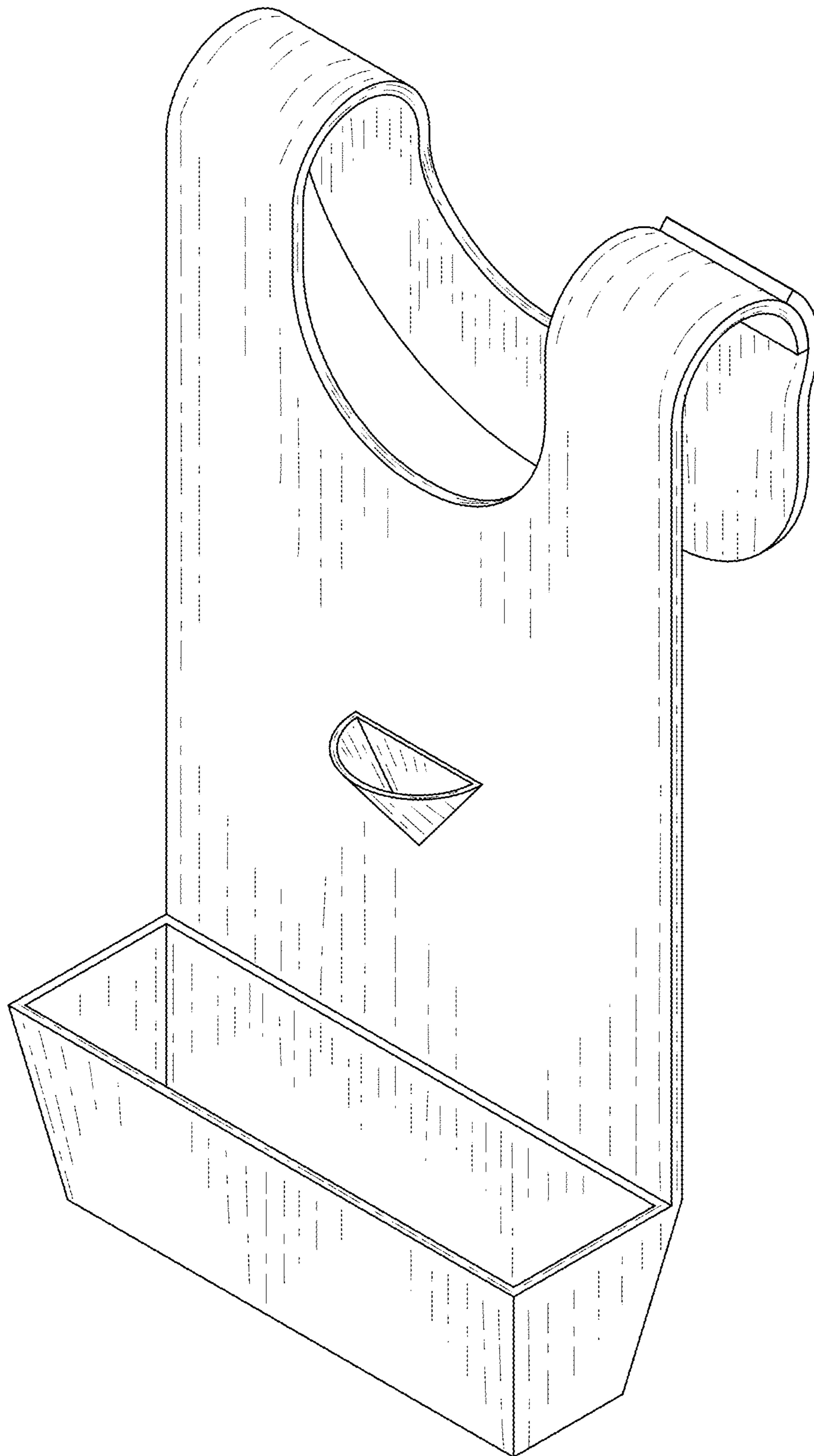


FIG 1

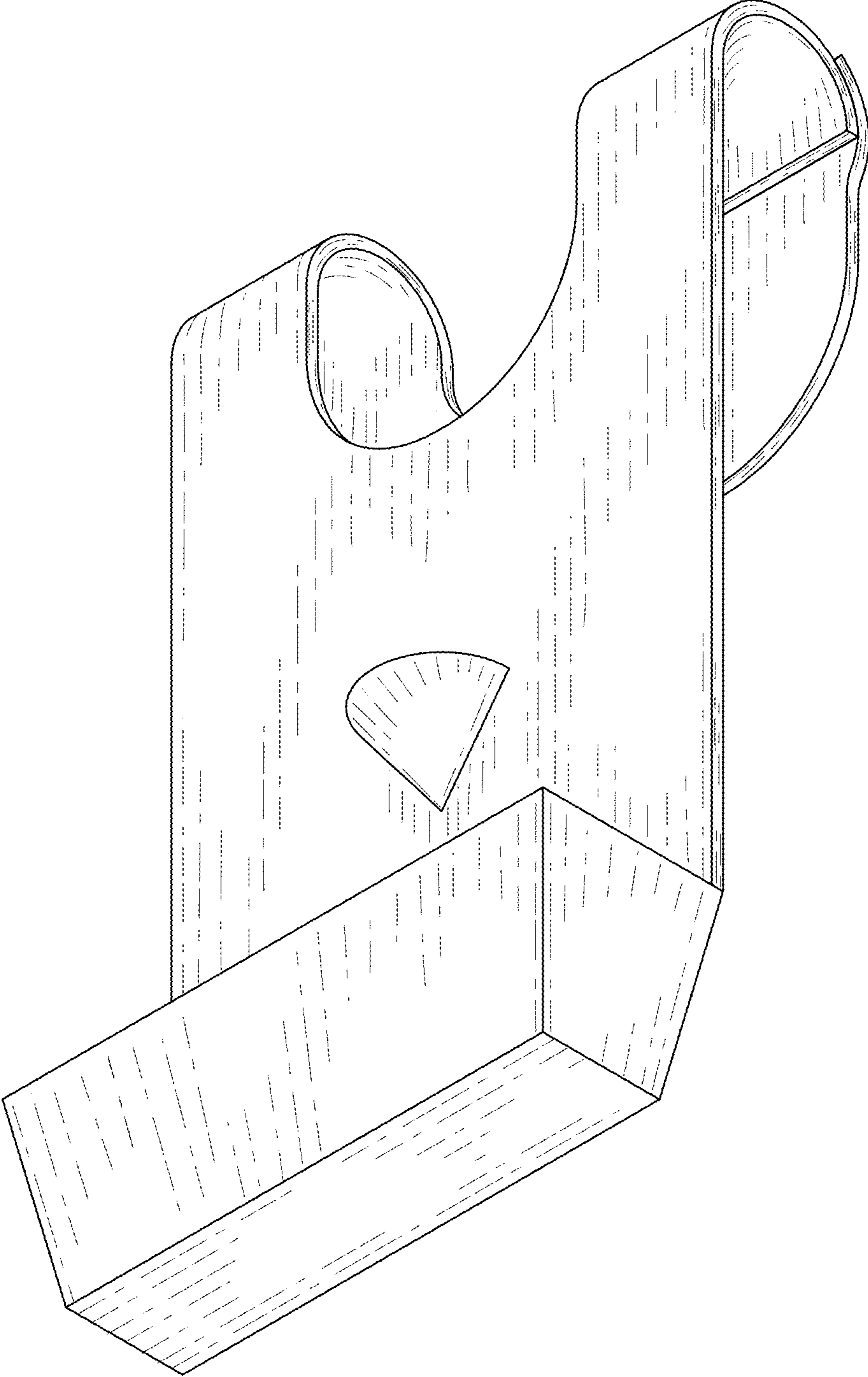


FIG 2

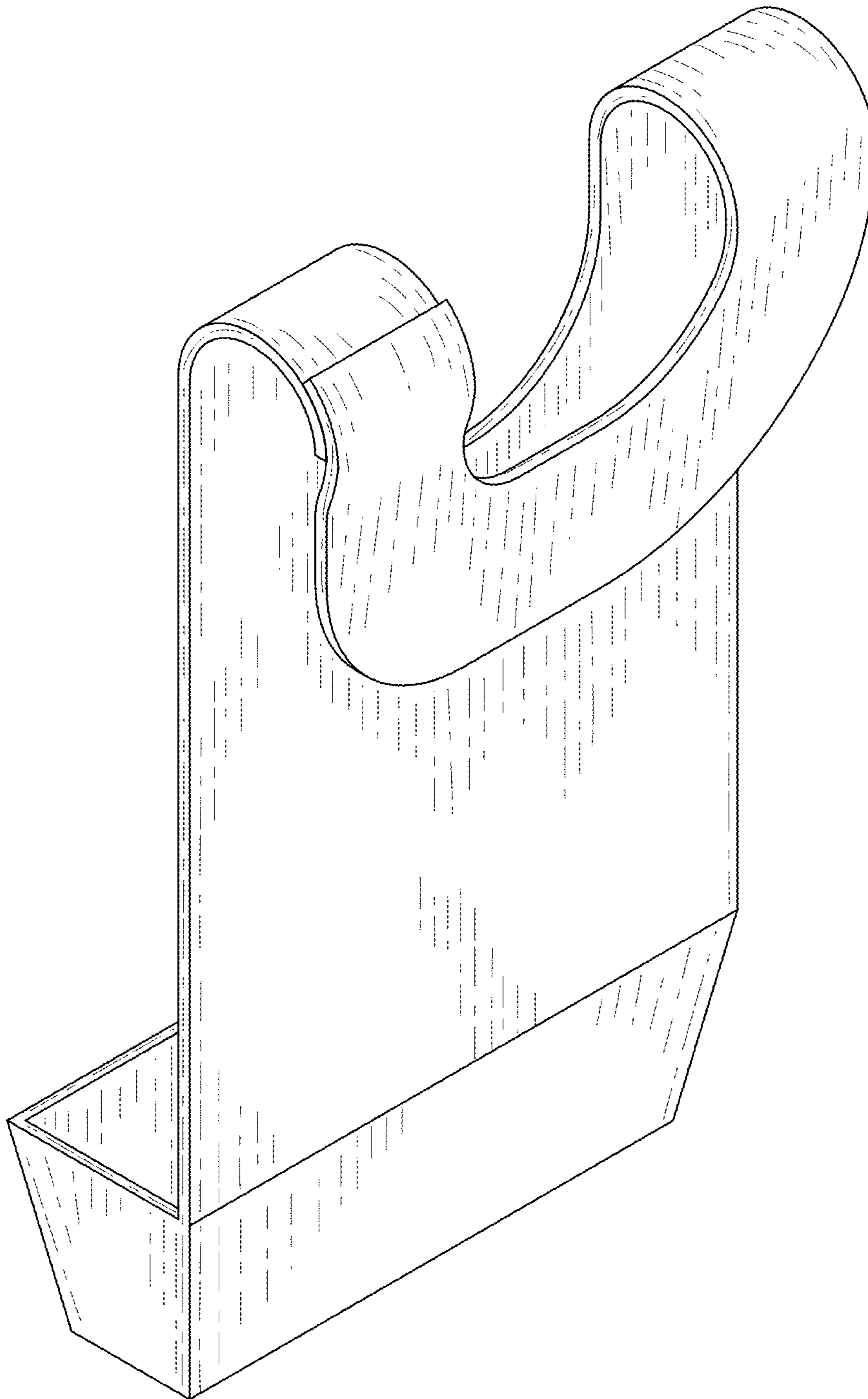


FIG 3

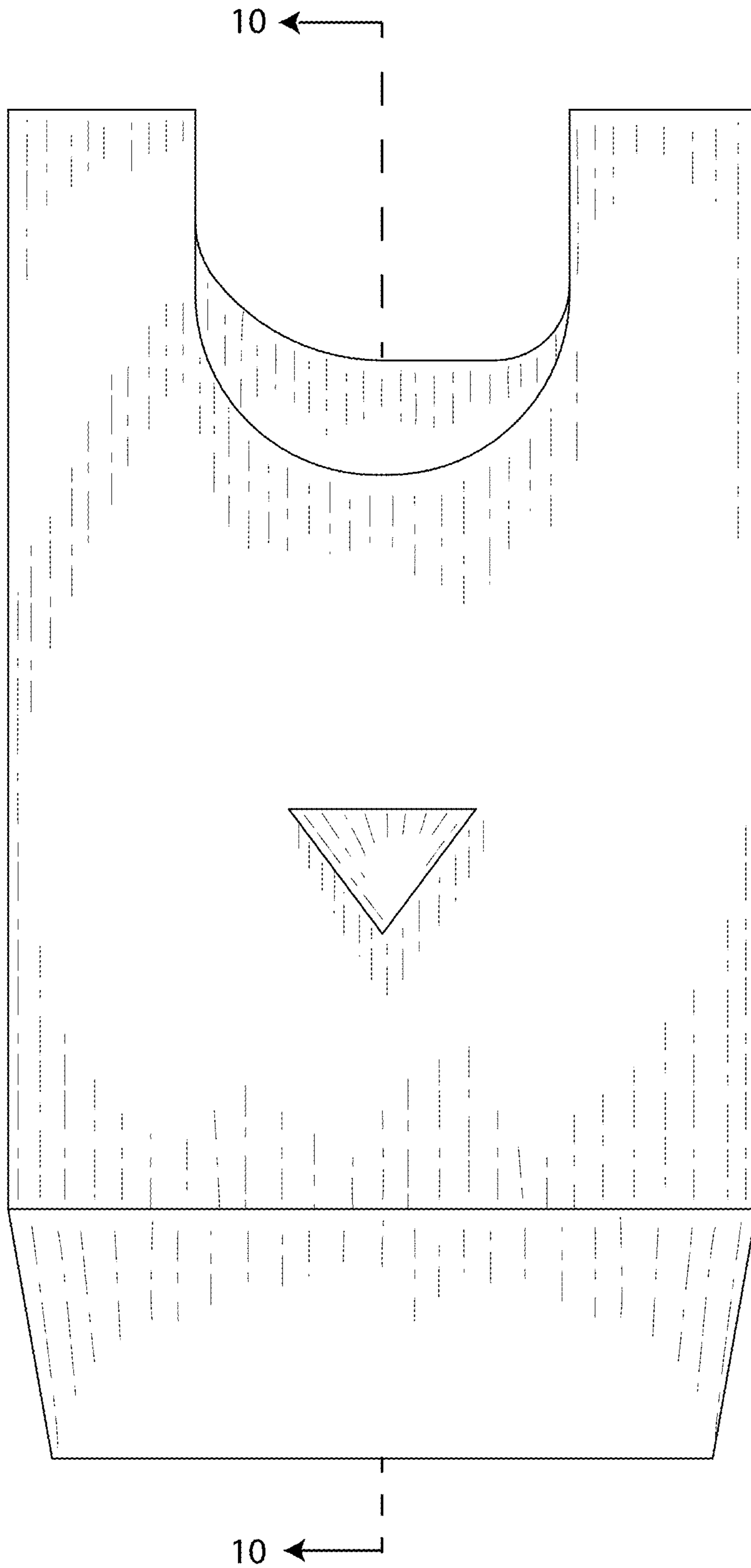


FIG 4

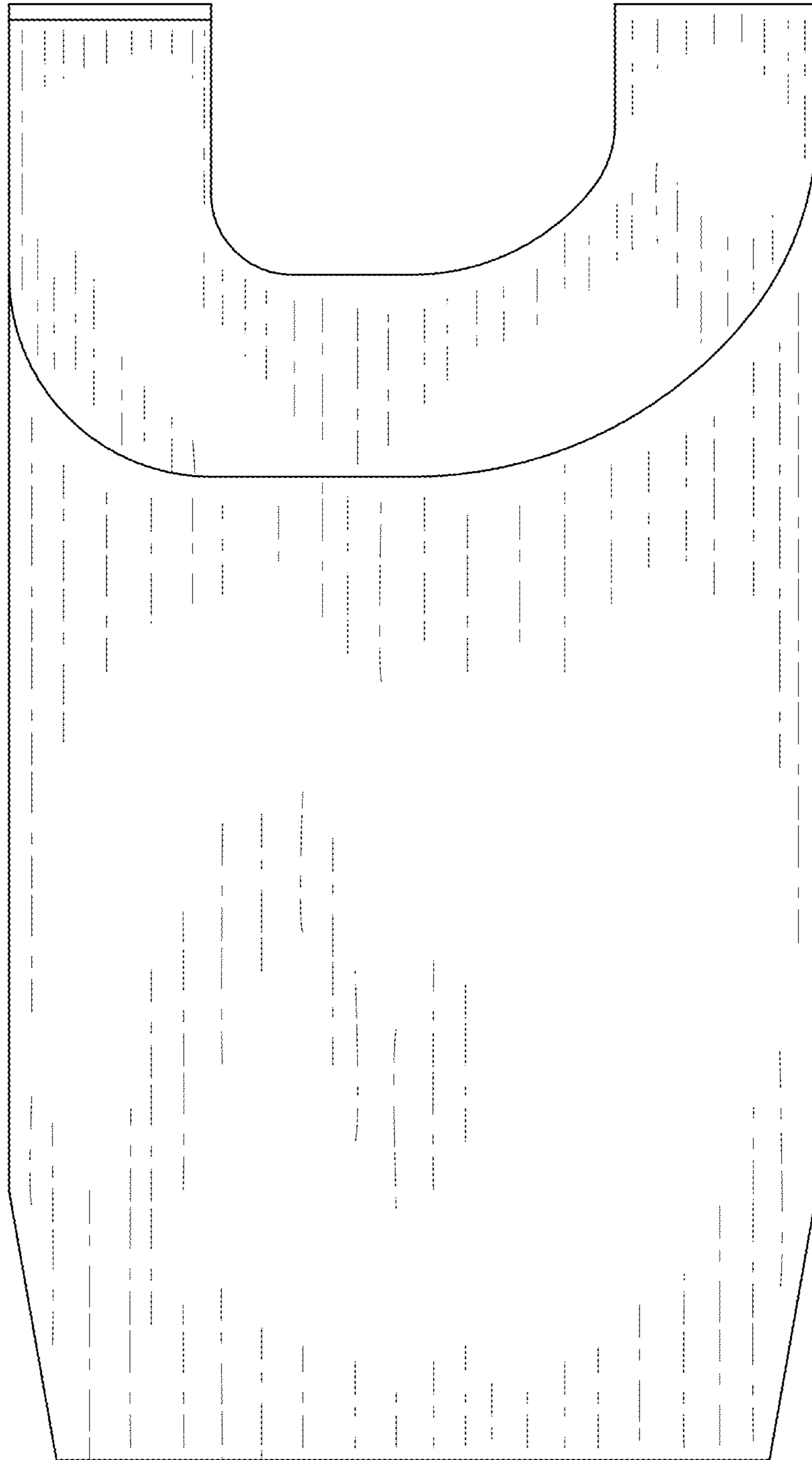


FIG 5

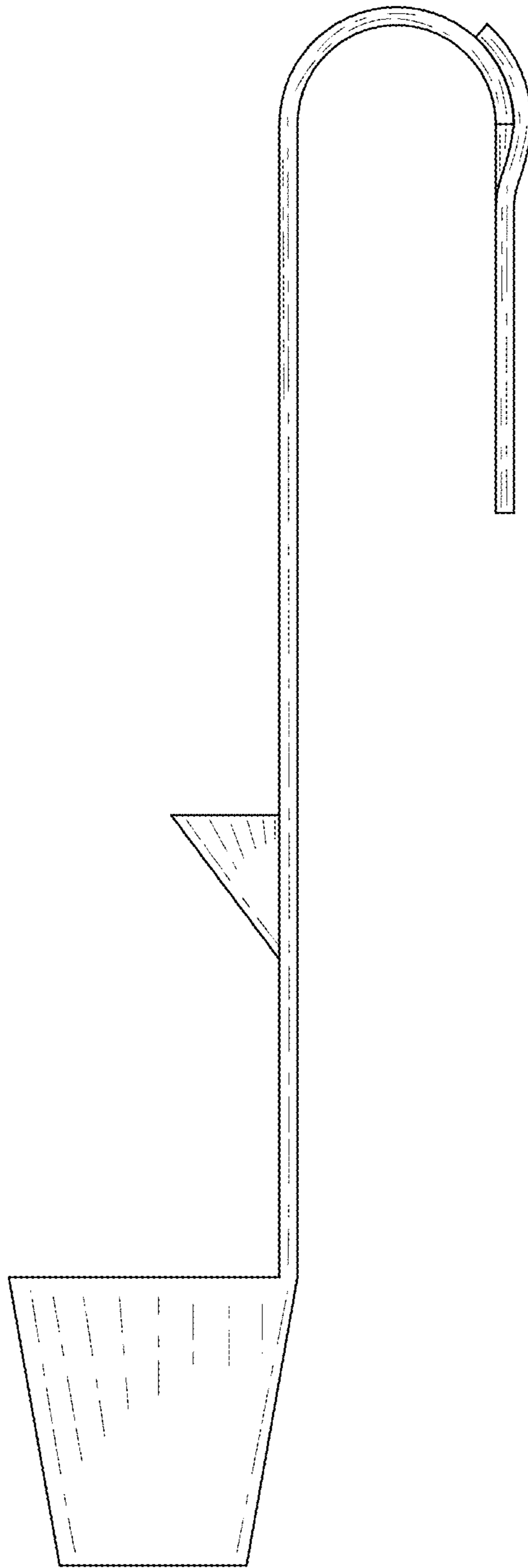


FIG 6

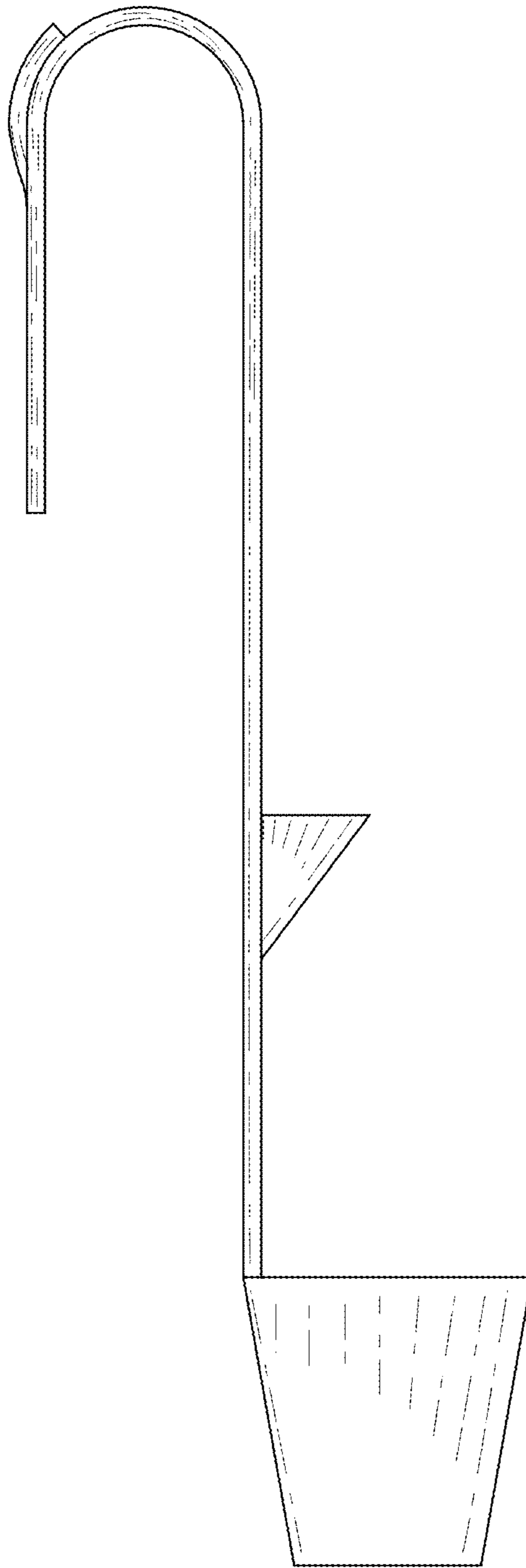


FIG 7



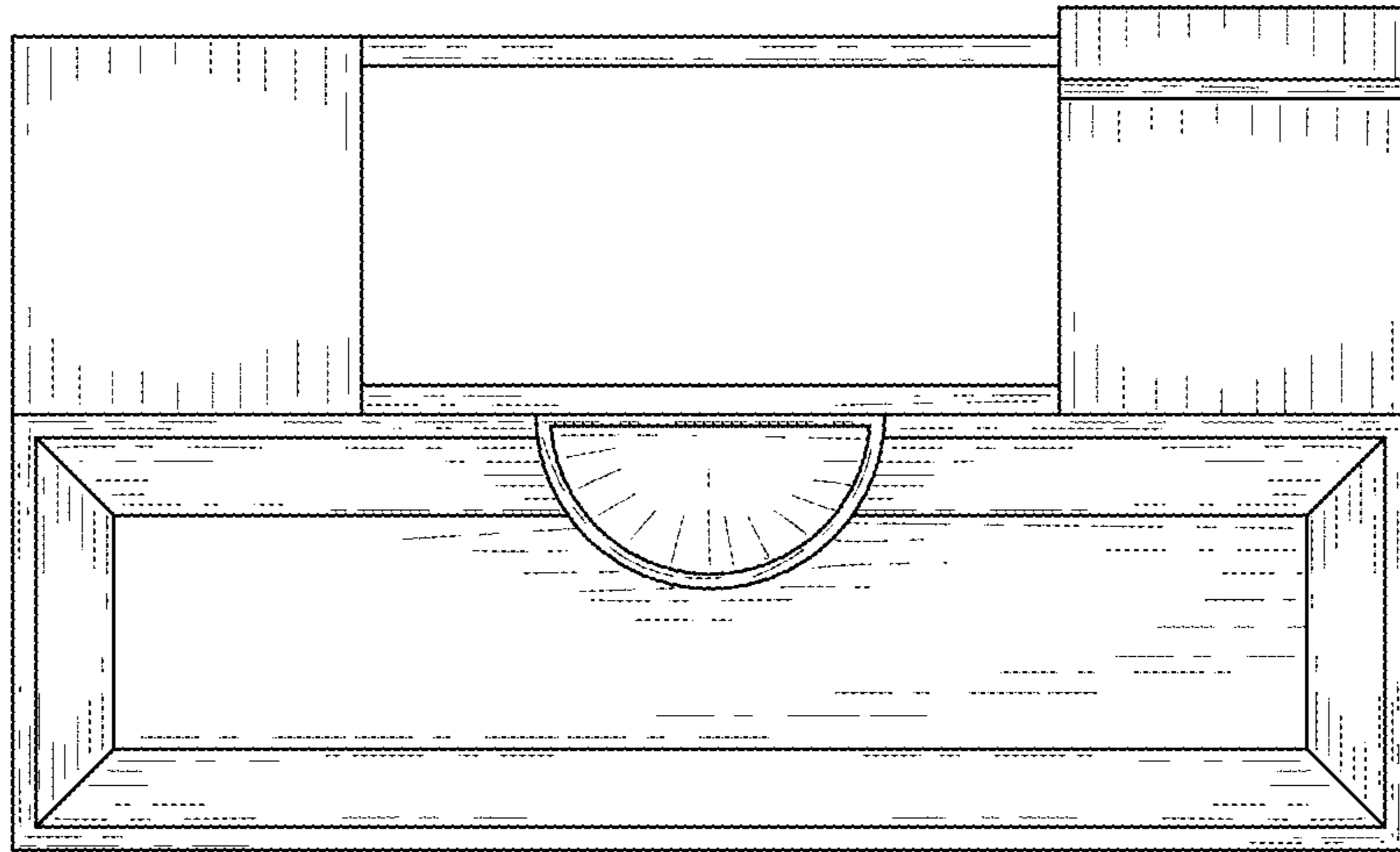


FIG 8

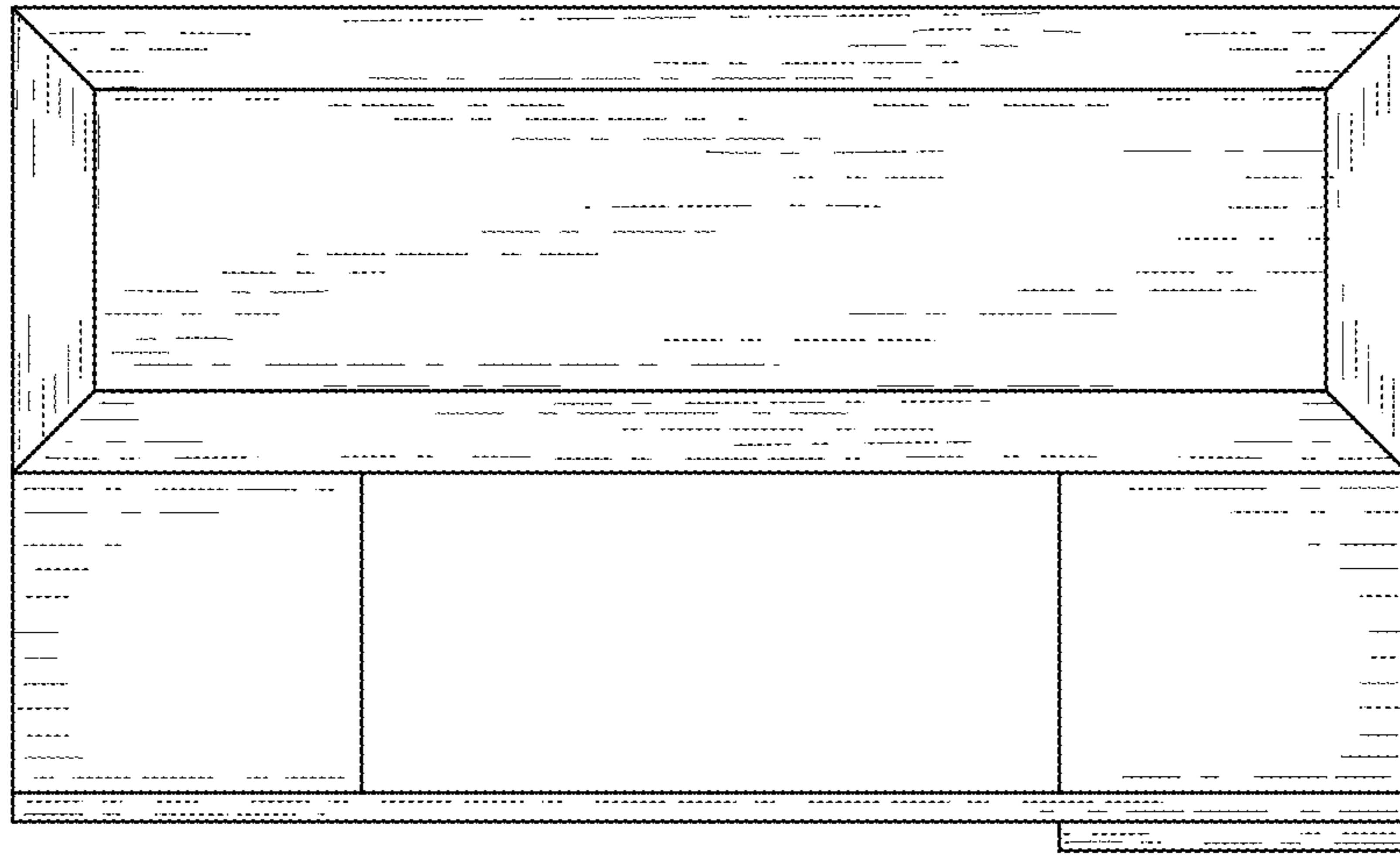


FIG 9

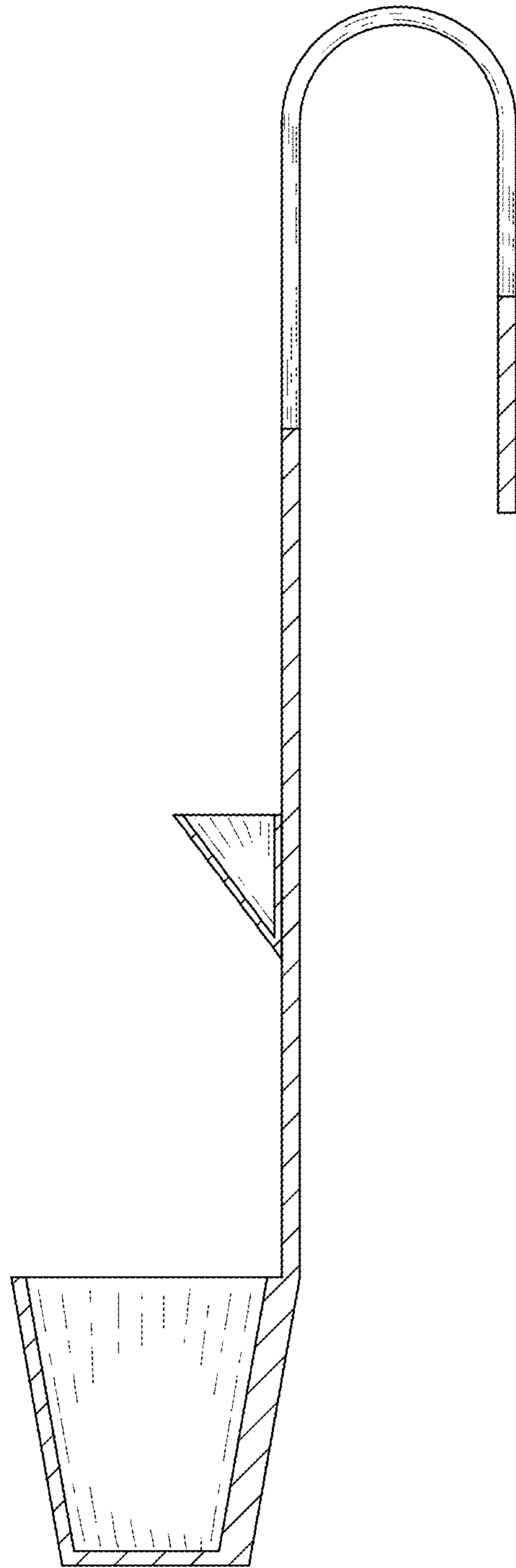


FIG 10