



US00D881530S

(12) **United States Design Patent** (10) **Patent No.:** **US D881,530 S**
Franulic et al. (45) **Date of Patent:** **** Apr. 21, 2020**

(54) **KNITTED HIP WRAP**
(71) Applicants: **Daniela Franulic**, Zagreb (HR);
Lyudmila Franulic, Zagreb (HR)
(72) Inventors: **Daniela Franulic**, Zagreb (HR);
Lyudmila Franulic, Zagreb (HR)

D660,553 S 5/2012 Farina et al.
D711,624 S 8/2014 Griffiths
D712,630 S 9/2014 Jones
D725,347 S 3/2015 Kirkwood
D743,144 S 11/2015 Swan
D755,474 S 5/2016 Lopez et al.

(Continued)

(**) Term: **15 Years**
(21) Appl. No.: **29/719,575**
(22) Filed: **Jan. 6, 2020**

FOREIGN PATENT DOCUMENTS

EM 005268208-0001 5/2018

OTHER PUBLICATIONS

Rekucci Ease Into Comfort stretch Pencil Skirt 19"; https://www.amazon.com/dp/B01KK9ZBJ0/ref=sspa_dk_detail_psc=1&pd_rd_i=B01KK9ZBJ0&spLa=ZW5jcnlwdGVkUXVhbGlmaWVyPUEyR1JMSThBVktBV0FVJmVuY3J5cHRIZEikPUEwOTU0MzY1MkRlU1ExNjVFNjZDOUZ1bmNyeXB0ZWRBZEikPUEwMjgxMjY1MTRYOFhZT1A3UlpSMYz3aWRnZXROYW1IPXNwX2R (Year: 2014).*

(Continued)

Primary Examiner — Amy C Wierenga
(74) *Attorney, Agent, or Firm* — Lucas & Mercanti, LLP

Related U.S. Application Data
(62) Division of application No. 29/660,233, filed on Aug. 20, 2018.
(51) **LOC (12) Cl.** **02-02**
(52) **U.S. Cl.**
USPC **D2/851**; D2/749
(58) **Field of Classification Search**
USPC D2/701, 722, 731–732, 851–853, 999,
D2/624, 627, 936, 724, 728, 735–736,
D2/749, 738, 863–864, 857; D6/608
CPC A41D 1/14; A41B 9/04
See application file for complete search history.

(57) **CLAIM**

The ornamental design for a knitted hip wrap, as shown and described.

(56) **References Cited**

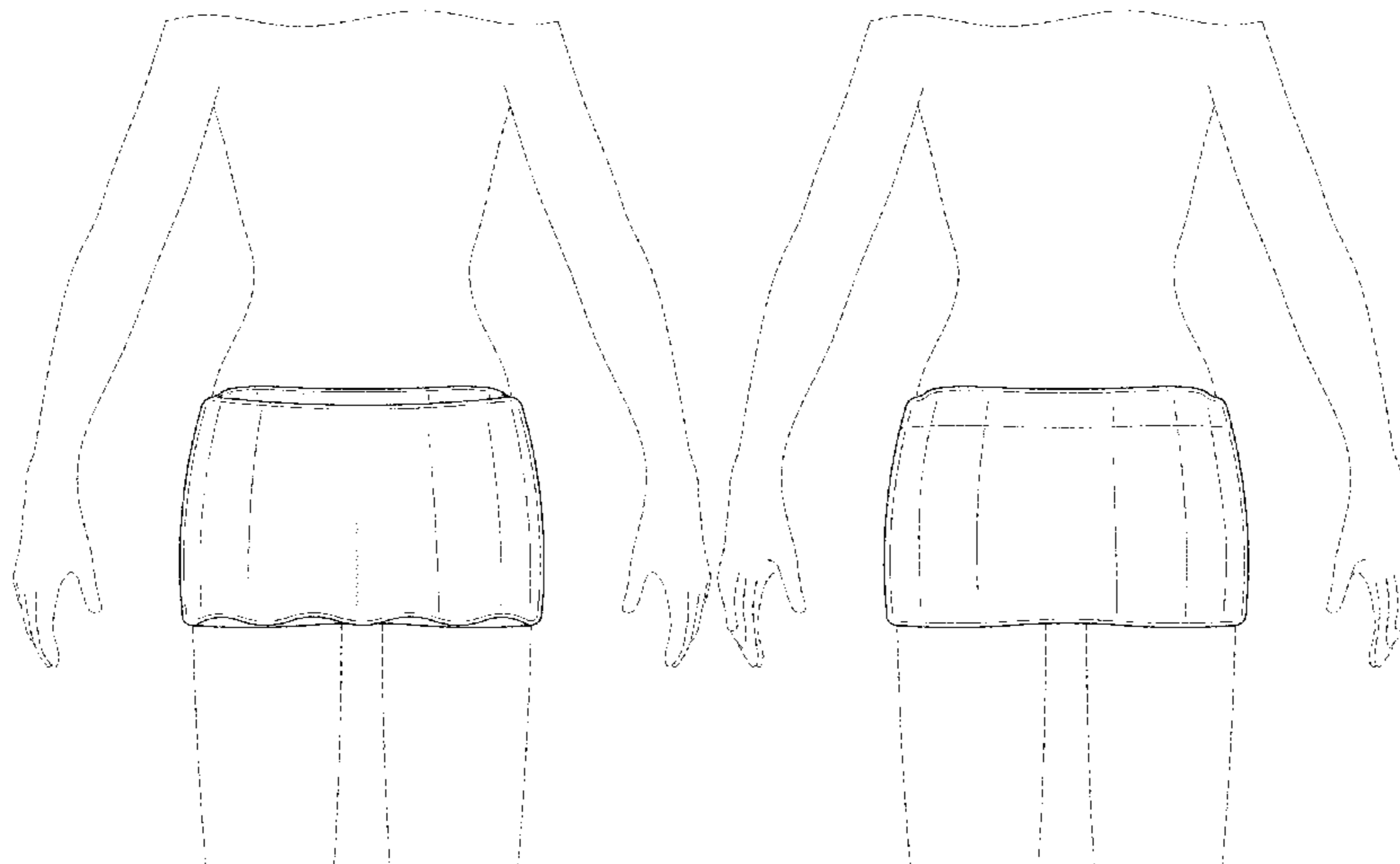
U.S. PATENT DOCUMENTS

2,136,742 A * 11/1938 Herbener A41C 1/12
450/116
2,555,974 A * 6/1951 Kattermann A41C 1/02
66/176
D432,758 S 10/2000 Harris
D445,999 S 8/2001 Swiney
D474,574 S 5/2003 Easlick
D478,408 S * 8/2003 Nettles D2/861
6,859,940 B1 * 3/2005 Sholander A41D 7/008
2/46
D503,513 S 4/2005 McCarthy
D580,627 S 11/2008 Richards et al.
D626,722 S 11/2010 Macke et al.
D654,247 S 2/2012 Osbourne
D655,480 S 3/2012 Helbing et al.

DESCRIPTION

FIG. 1 is a front perspective view thereof;
FIG. 2 is a front view thereof;
FIG. 3 is a rear view thereof;
FIG. 4 is a left side view thereof;
FIG. 5 is a right side view thereof;
FIG. 6 is a bottom perspective view thereof; and,
FIG. 7 is a top perspective view thereof.
The broken lines in the drawings depict environment that form no part of the claim. The broken lines shown on the side of the knitted hip wrap in FIG. 4 depict stitching that forms no part of the claim.

1 Claim, 6 Drawing Sheets



(56)

References Cited

U.S. PATENT DOCUMENTS

D758,049	S	6/2016	Molbeck	
D773,151	S *	12/2016	Lauro	D2/728
D793,665	S	8/2017	Perez	
D808,130	S	1/2018	Lomax	
D830,039	S *	10/2018	Flowers	D2/719
D837,488	S *	1/2019	Noto	D2/851
D838,439	S *	1/2019	Biagas	D2/823
2007/0017000	A1 *	1/2007	Segal	A41D 7/006 2/69
2011/0076921	A1	3/2011	Unger	
2016/0353811	A1	12/2016	Wallace	
2017/0231300	A1	6/2017	Leslie	
2018/0132546	A1	5/2018	Righetto	
2018/0279699	A1	10/2018	Olmos	

OTHER PUBLICATIONS

Urban CoCo Women's Elastic Waist Stretch Bodycon Midi Pencil Skirt; Amazon First Available Date Sep. 26, 2016; Visited Online Jan. 27, 2020; https://www.amazon.com/dp/B07196QJPH/ref=emc_b_5_i (Year: 2016).*

The Morgan ;https://www.amazon.com/The-Mogan-Stretch-Cotton-Jersey-Layered/dp/B013PUQKXM/ref=pd_sbs_193_7?encoding=UTF8&pd_rd_i=B013PUQKXM&pd_rd_r=31a8392d-3d24-42ef-ad5e-2dcec5f1d78f&pd_rd_w=fqpuB&pd_rd_wg=htiK8&pf_rd_p=d66372fe-68a6-48a3-90ec-41d7f64212be&pf_rd_r=PM30P62D4PYVDC4Q6SE9&refRID=PM30P62 (Year: 2015).

Shein Ribbed-Knit Stretchy Mini Pencil Bodycon Skirt; Amazon Date First Available Mar. 8, 2019; https://www.amazon.com/She-In-Womens-Ribbed-Knit-Stretchy-Bodycon/dp/B07PLBWC-HX/ref=sr_1_93?crid=12W954204ND-PC&keywords=mini+skirts+for+women&qid=1568384663&srefix=mini+ski%2Caps%2C146&sr=8-93 (Year: 2019).

* cited by examiner

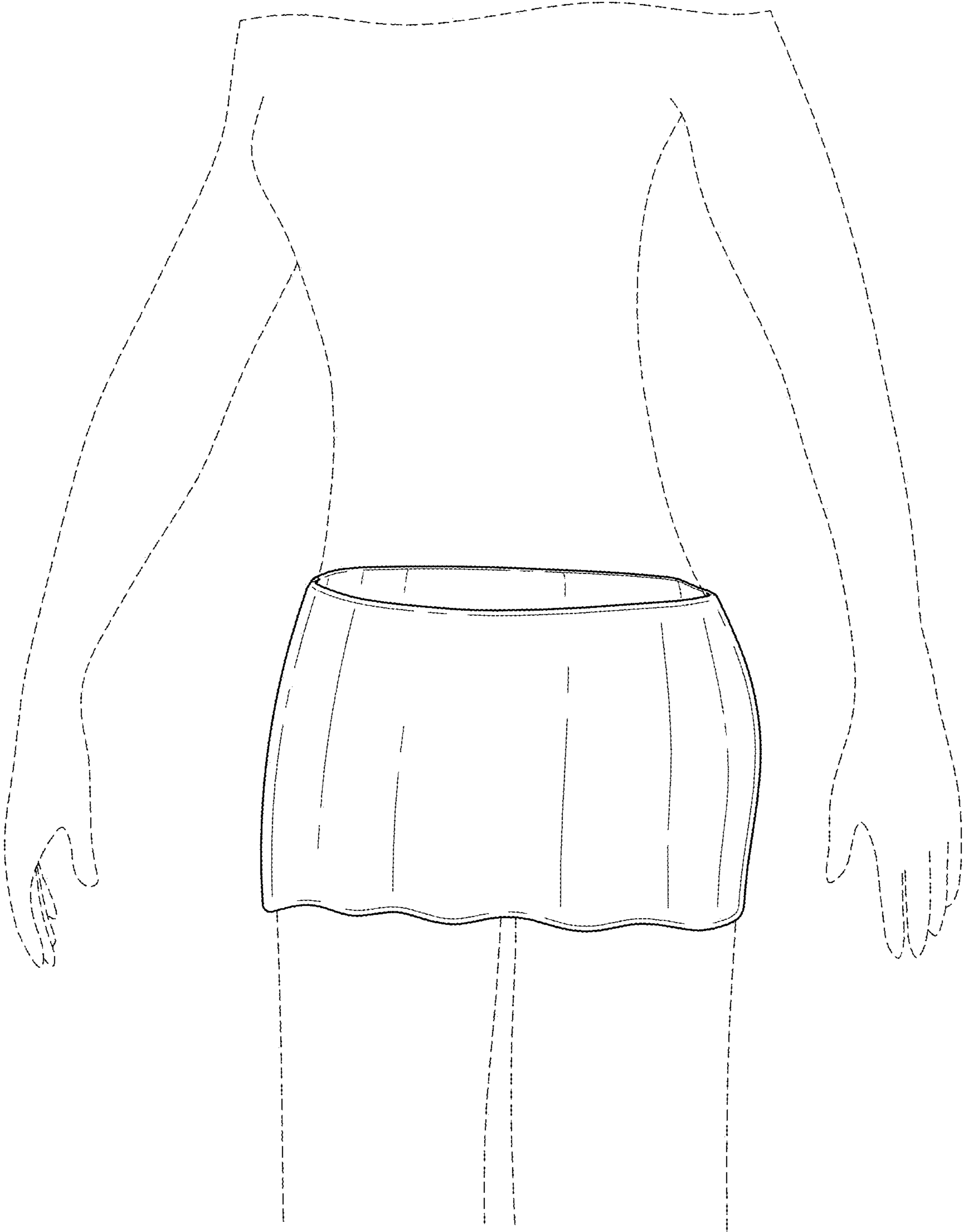


FIG. 1

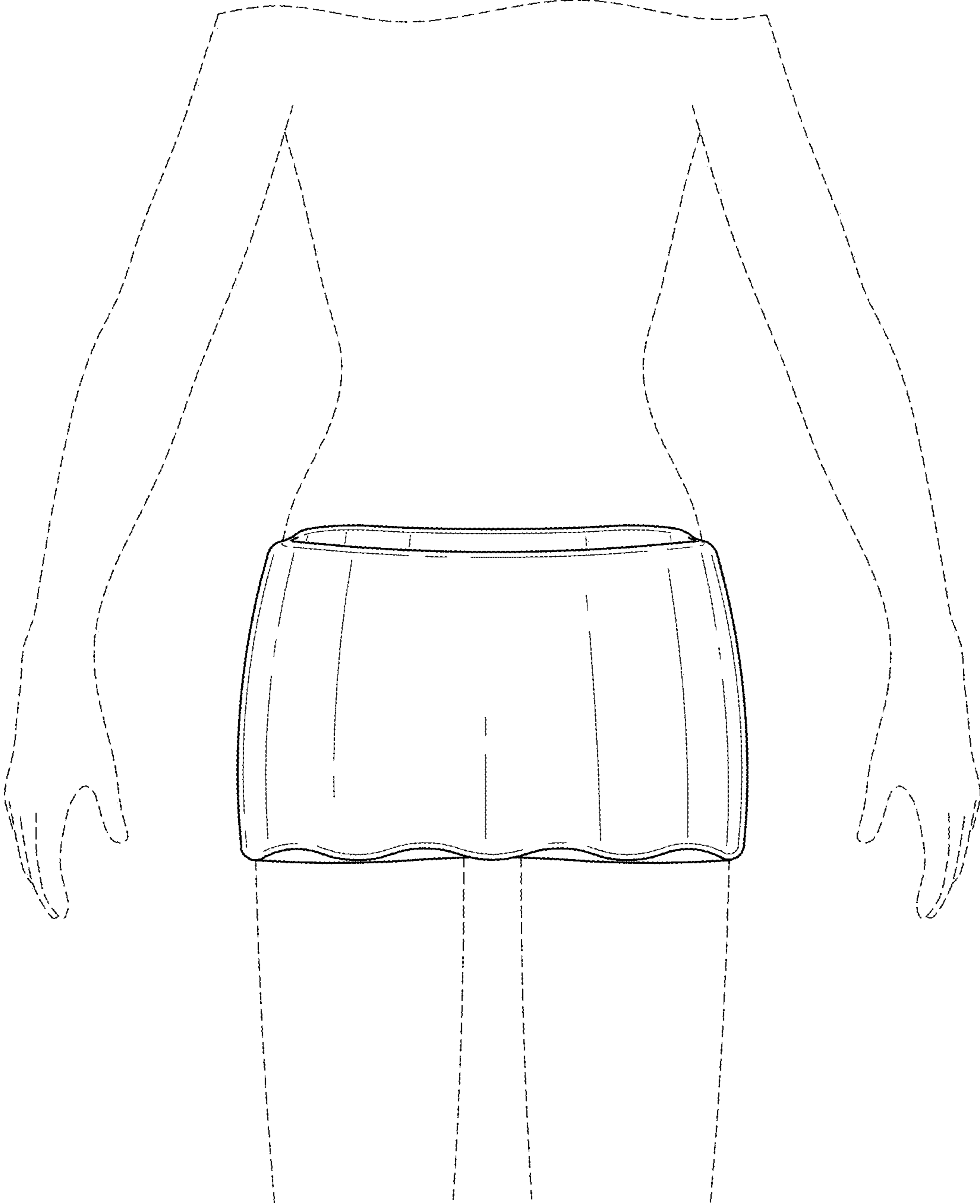


FIG. 2

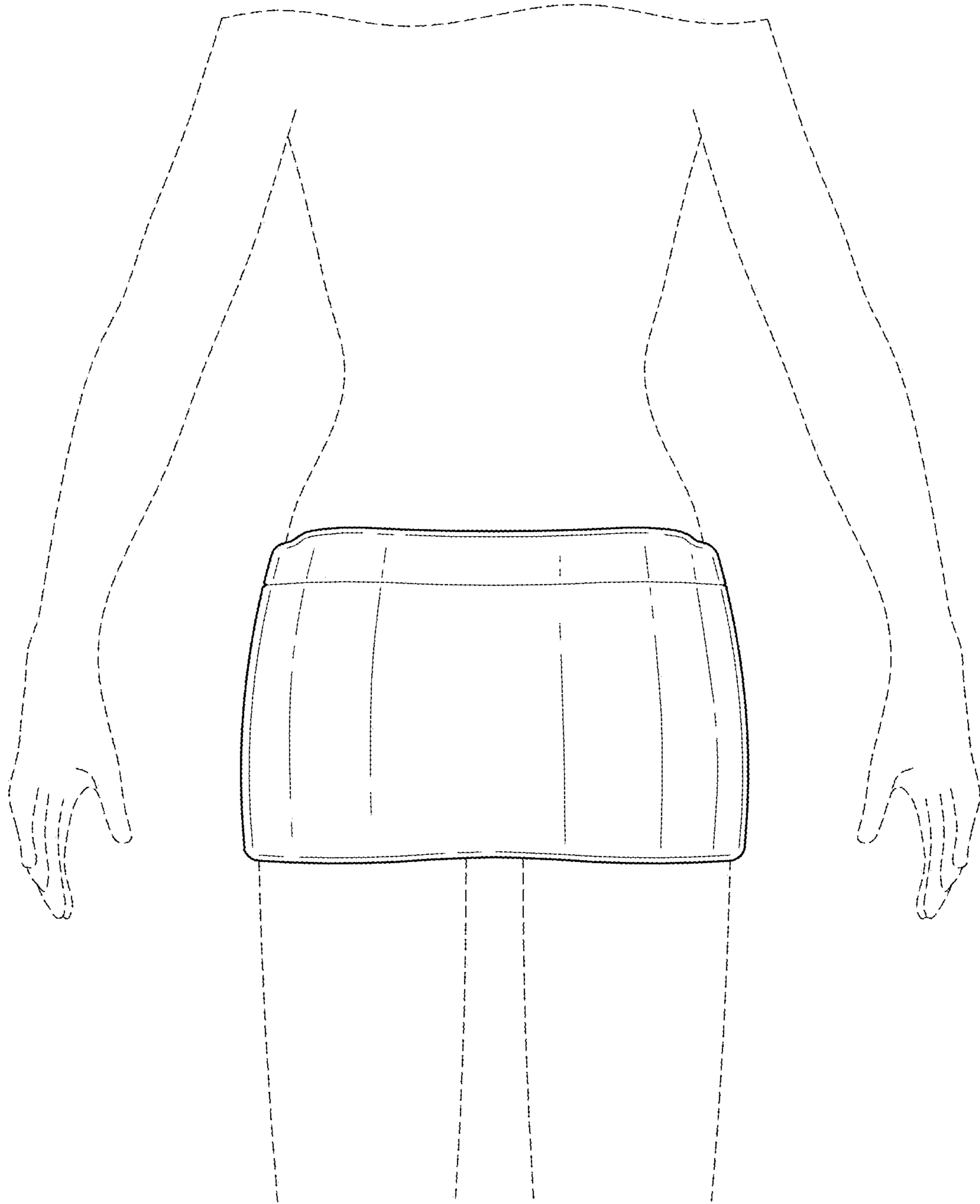


FIG. 3

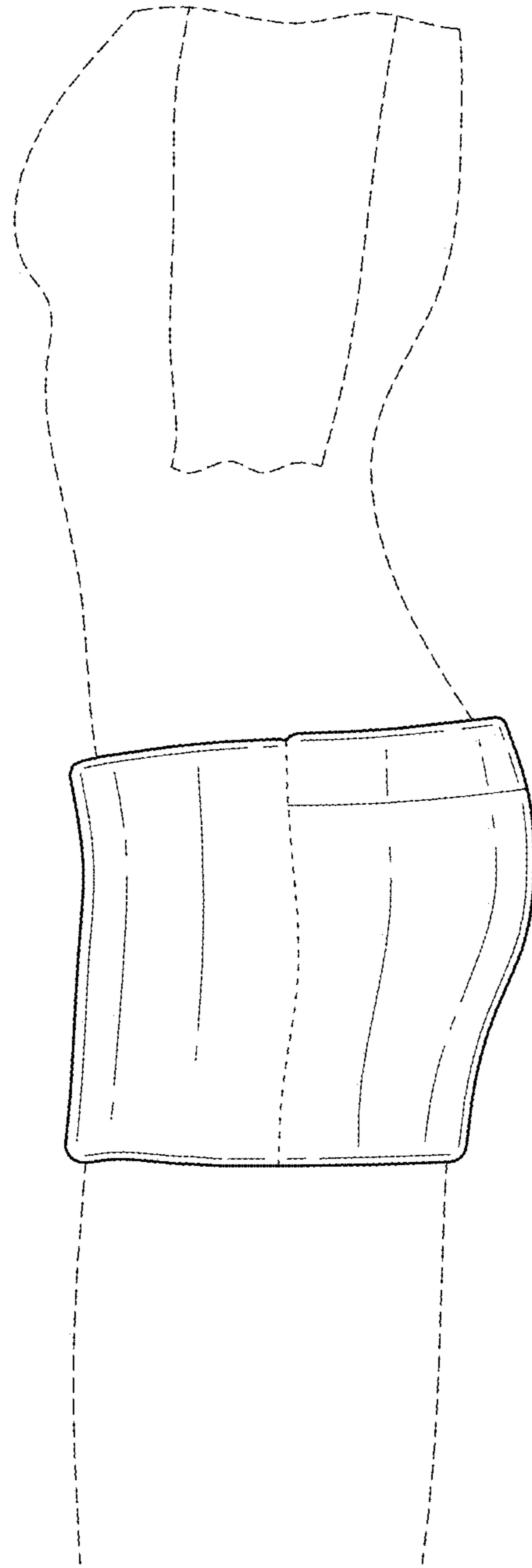


FIG. 4

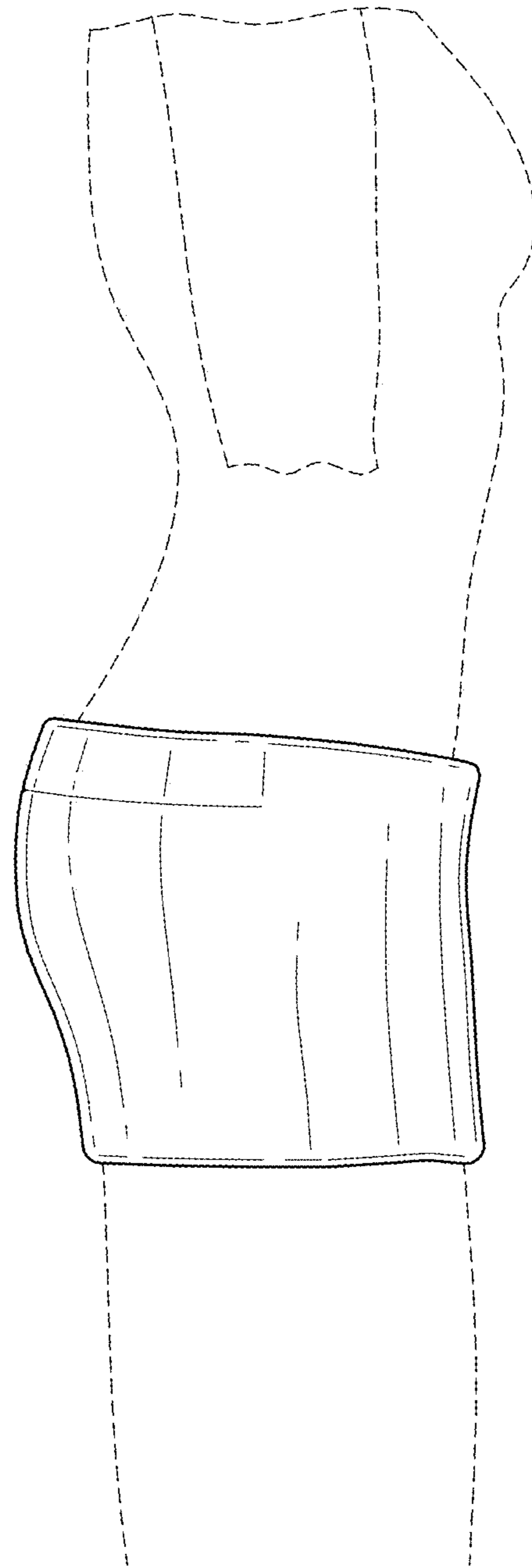


FIG. 5

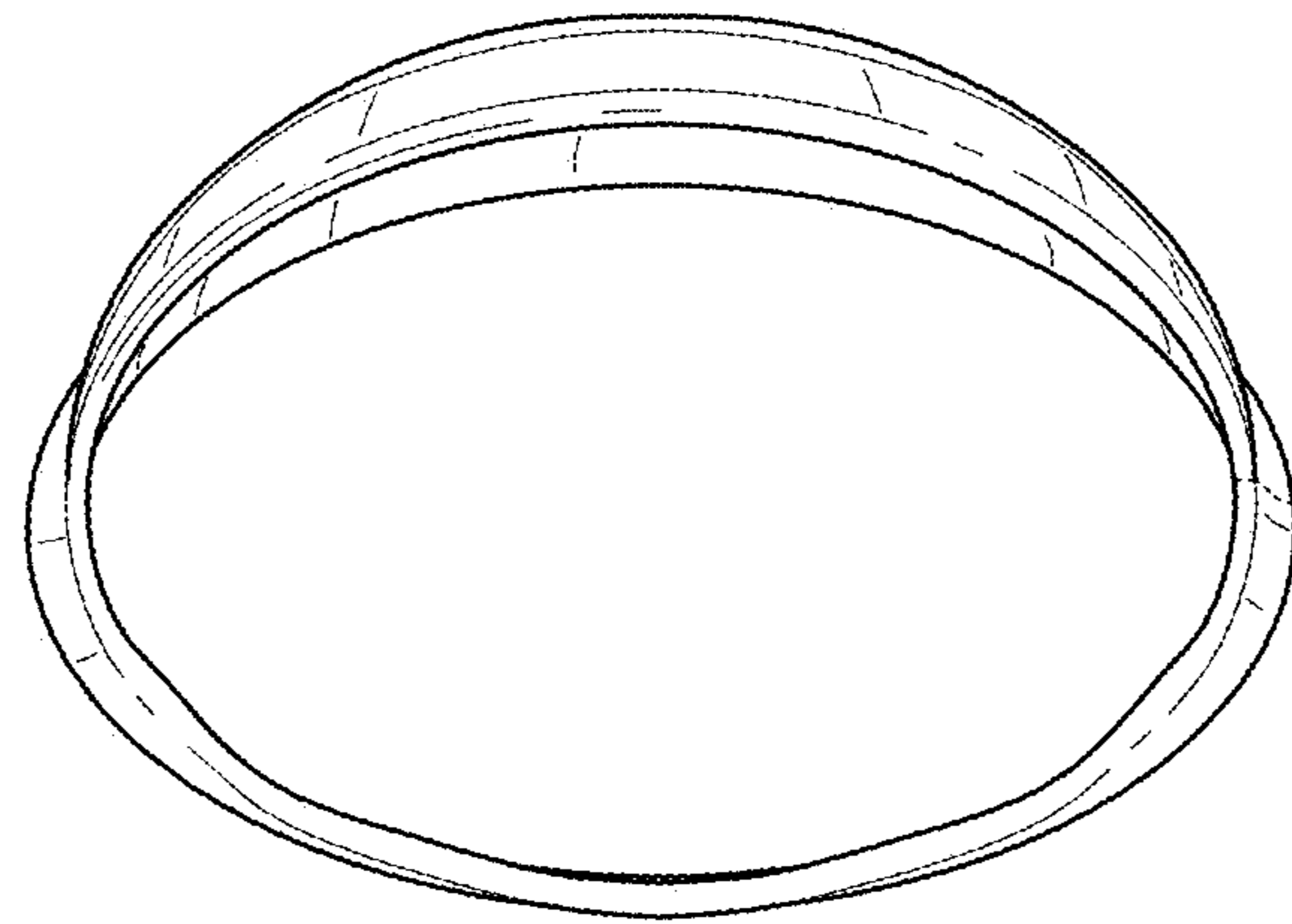


FIG. 6

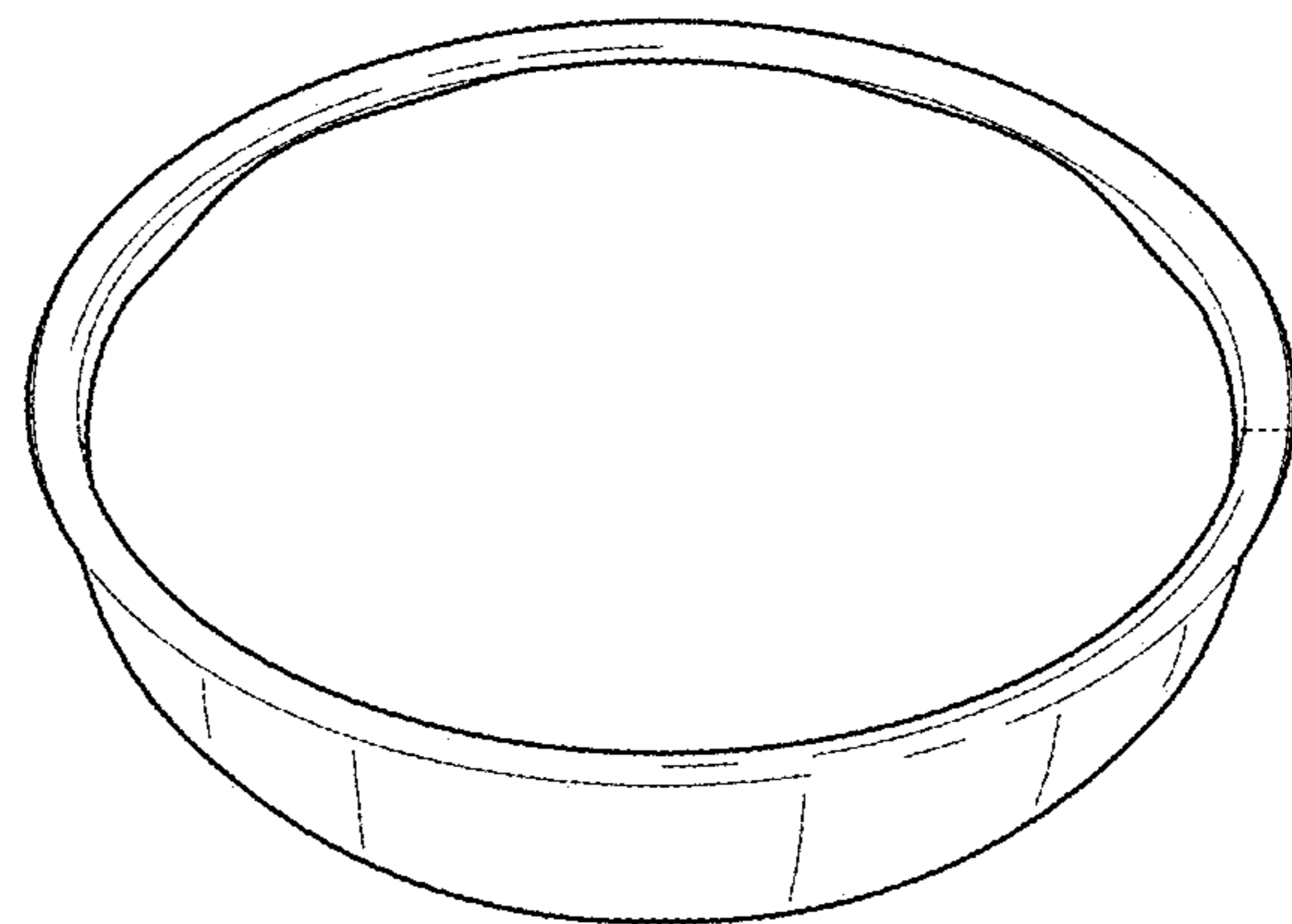


FIG. 7