



US00D881527S

(12) **United States Design Patent**
Buonocore

(10) **Patent No.:** **US D881,527 S**
(45) **Date of Patent:** **** Apr. 21, 2020**

- (54) **BEE SWEATSHIRT HOOD**
- (71) Applicant: **Ontel Products Corporation**, Fairfield, NJ (US)
- (72) Inventor: **Carly Buonocore**, Lincoln Park, NJ (US)
- (73) Assignee: **ONTEL PRODUCTS CORPORATION**, Fairfield, NJ (US)
- (**) Term: **15 Years**
- (21) Appl. No.: **29/680,280**
- (22) Filed: **Feb. 14, 2019**
- (51) **LOC (12) Cl.** **02-02**
- (52) **U.S. Cl.**
USPC **D2/831; D2/878**
- (58) **Field of Classification Search**
USPC D2/728, 823, 824, 825, 826, 828, 831, D2/865, 866, 867, 870, 874, 877, 878, D2/880, 881, 887, 891, 892, 895; D5/13, D5/14, 20, 63, 64, 65; D6/598; D21/659, 660; D29/102, 108
CPC A41D 3/02; A41D 11/00; A41D 15/005; A41D 15/04; A41D 2200/20; A41D 27/08; A42B 1/00; A42B 1/006; A42B 1/04; A42B 1/041; A42B 1/045; A42B 1/046; A42B 1/048; A42B 7/00; A47G 9/1045; A63H 3/00
See application file for complete search history.

- 6,216,642 B1 * 4/2001 Hung A01K 13/006
119/850
 - D505,290 S * 5/2005 Bourget D21/650
 - 6,922,848 B1 * 8/2005 Stanley A41D 1/00
2/244
 - D551,429 S * 9/2007 Wager D2/831
- (Continued)

Primary Examiner — Jasmine Mlinarcik
(74) *Attorney, Agent, or Firm* — Dickinson Wright PLLC

(57) **CLAIM**

I claim the ornamental design for a bee sweatshirt hood, as shown and described.

DESCRIPTION

FIG. 1 is a front perspective view of a bee sweatshirt hood; FIG. 2 is a front view of the bee sweatshirt hood of FIG. 1; FIG. 3 is a rear view of the bee sweatshirt hood of FIG. 1; FIG. 4 is a top view of the bee sweatshirt hood of FIG. 1; FIG. 5 is a right side view of the bee sweatshirt hood of FIG. 1; FIG. 6 is a left side view of the bee sweatshirt hood of FIG. 1; FIG. 7 is a front view of the bee sweatshirt hood of FIG. 1 in a laid-flat position with a zipper in an open position; and, FIG. 8 is a front view of the bee sweatshirt hood of FIG. 1 with a zipper in an open position.

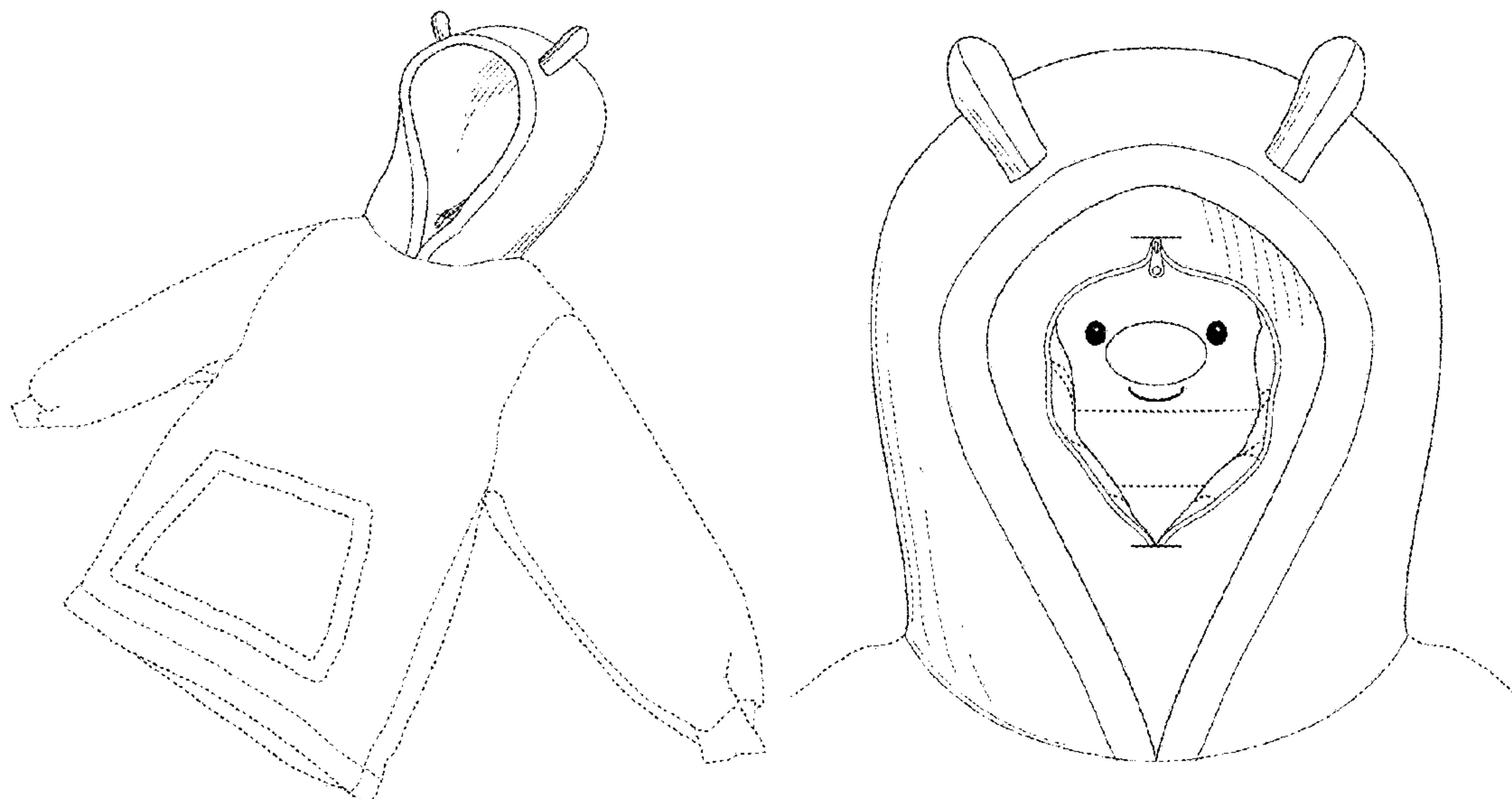
The zipper follows the curvature of the bee sweatshirt hood. The facial features are an applied motif that follows the curvature of the bee sweatshirt hood. The dash-dot-dash broken line defines the bounds of the claim and forms no part of the claimed design. The even-length broken lines along the hood portion of the bee sweatshirt hood depict features that form no part of the claimed design. The even-length broken lines beyond the boundary line depicts portions of the bee sweatshirt hood that form no part of the claimed design.

1 Claim, 7 Drawing Sheets

(56) **References Cited**

U.S. PATENT DOCUMENTS

- 885,802 A * 4/1908 Sterrick A41D 13/11
2/206
- 4,543,669 A 10/1985 Katz
- D285,815 S * 9/1986 Finn D2/741
- D409,430 S * 5/1999 Bear D21/650



(56)

References Cited

U.S. PATENT DOCUMENTS

D566,929 S * 4/2008 Huang D2/867
D597,716 S * 8/2009 Wen D21/659
D672,534 S * 12/2012 Smith D2/878
D708,822 S * 7/2014 Douglas D2/880
D712,121 S * 9/2014 Leon D2/870
9,936,746 B1 4/2018 Park
2008/0115254 A1 5/2008 Galkov
2014/0237700 A1 8/2014 Albert
2015/0121604 A1 5/2015 Lee et al.
2018/0132551 A1 5/2018 Holder, III
2018/0352879 A1* 12/2018 Goulina A41D 15/04

* cited by examiner

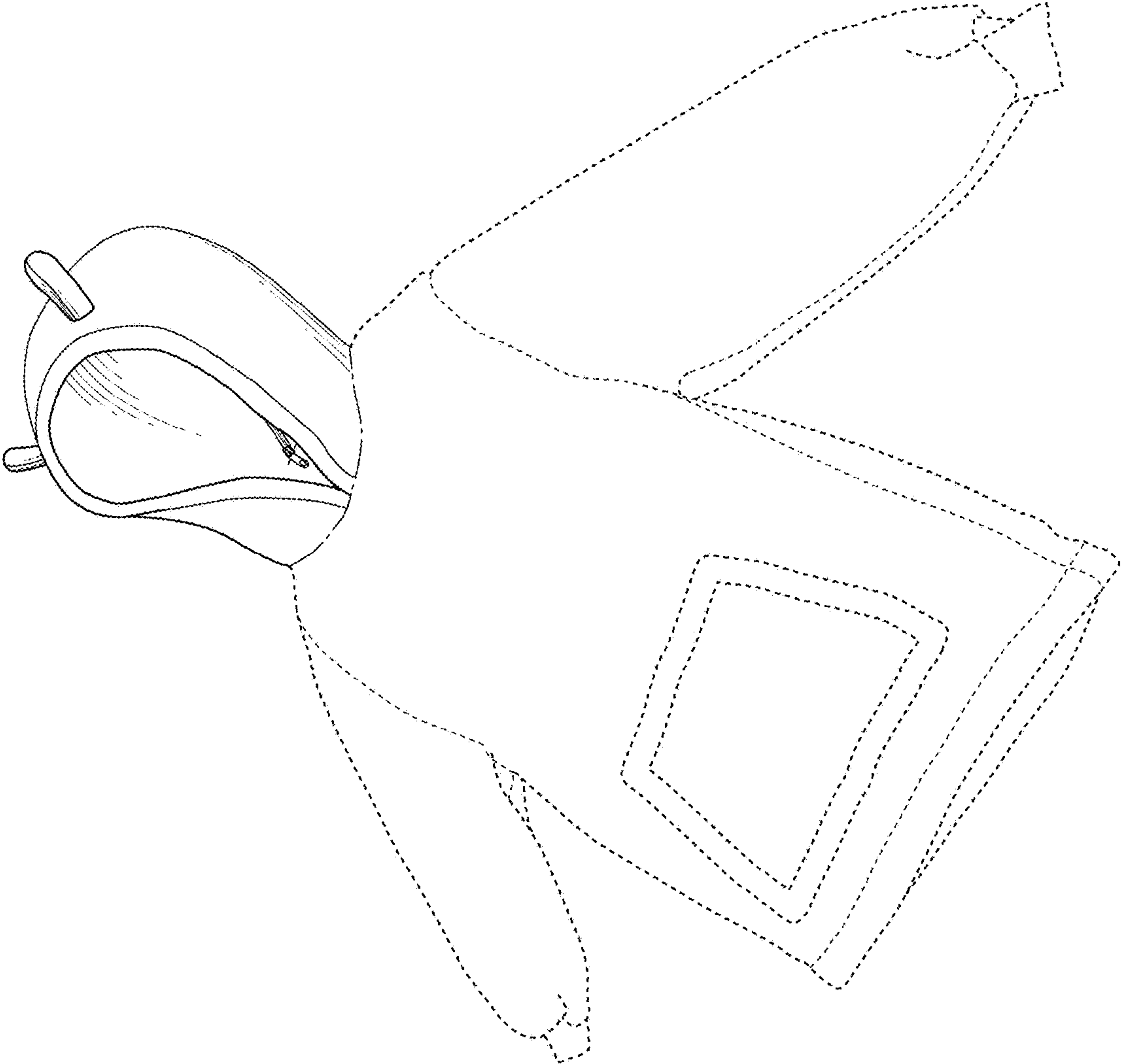


FIG. 1

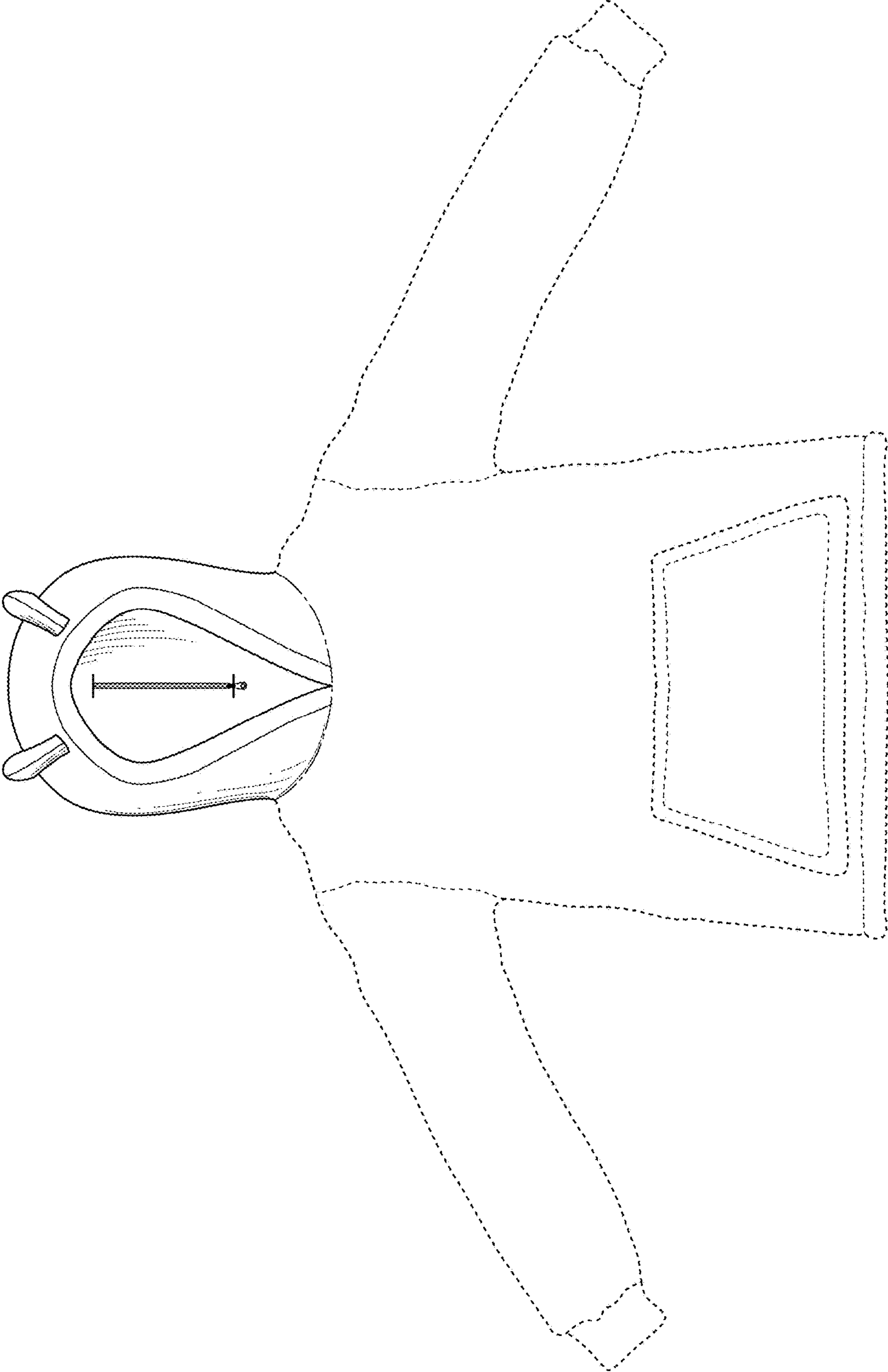


FIG. 2

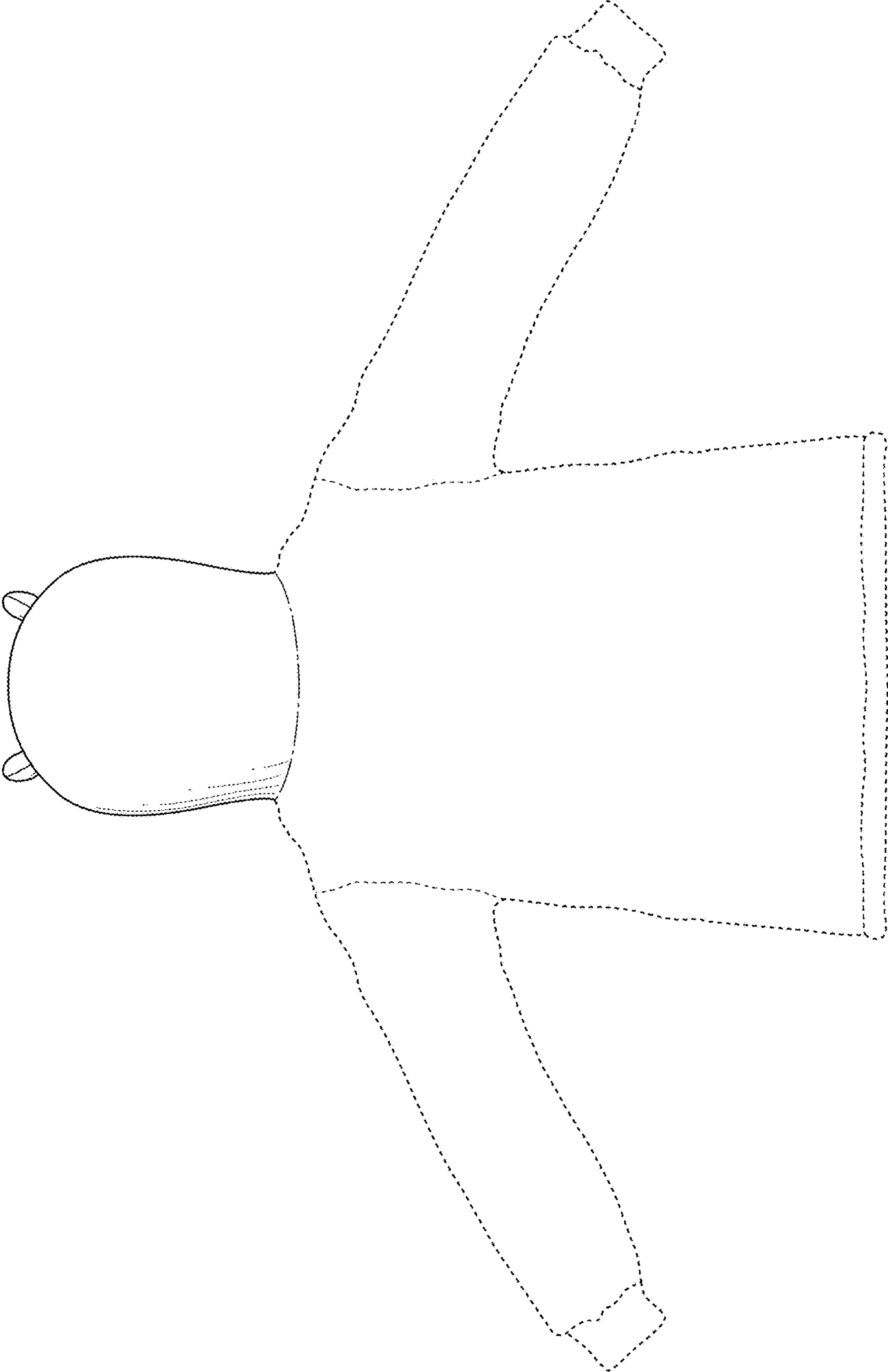


FIG. 3

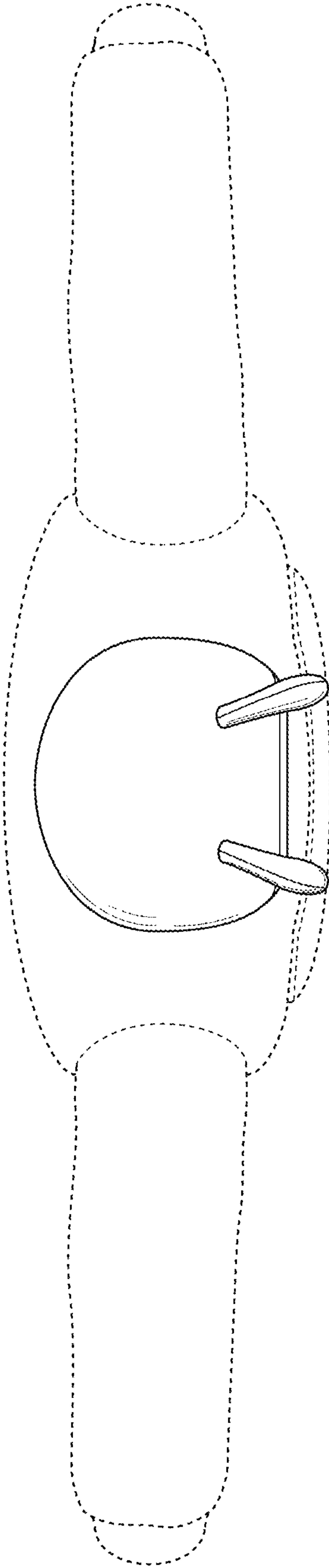


FIG. 4

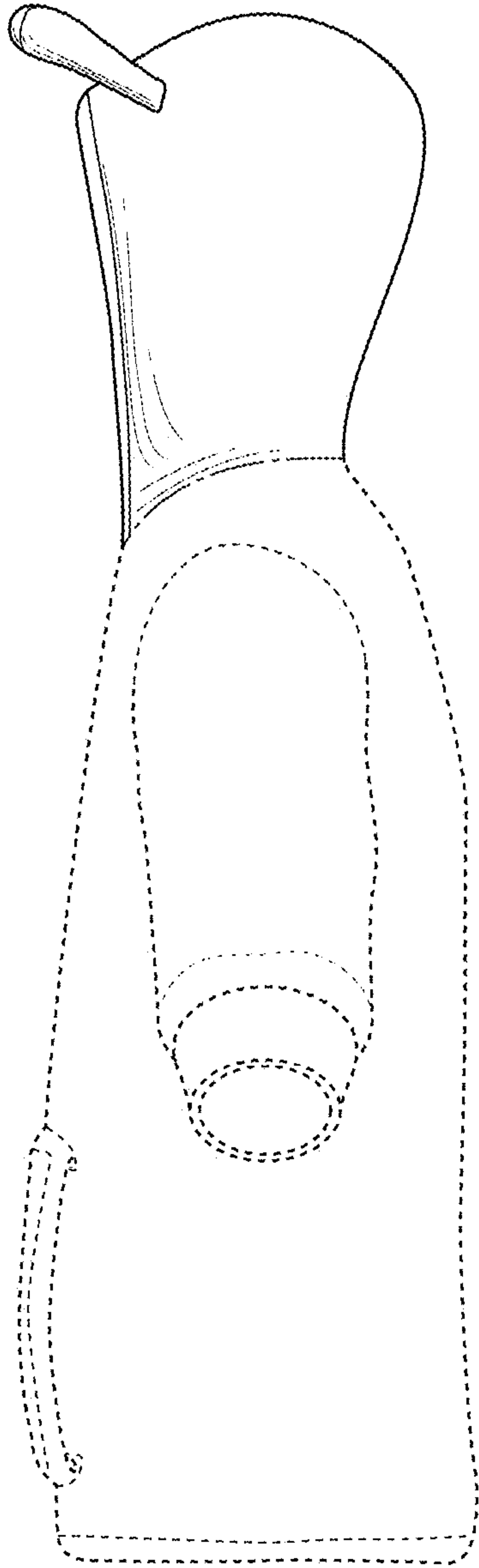


FIG. 5

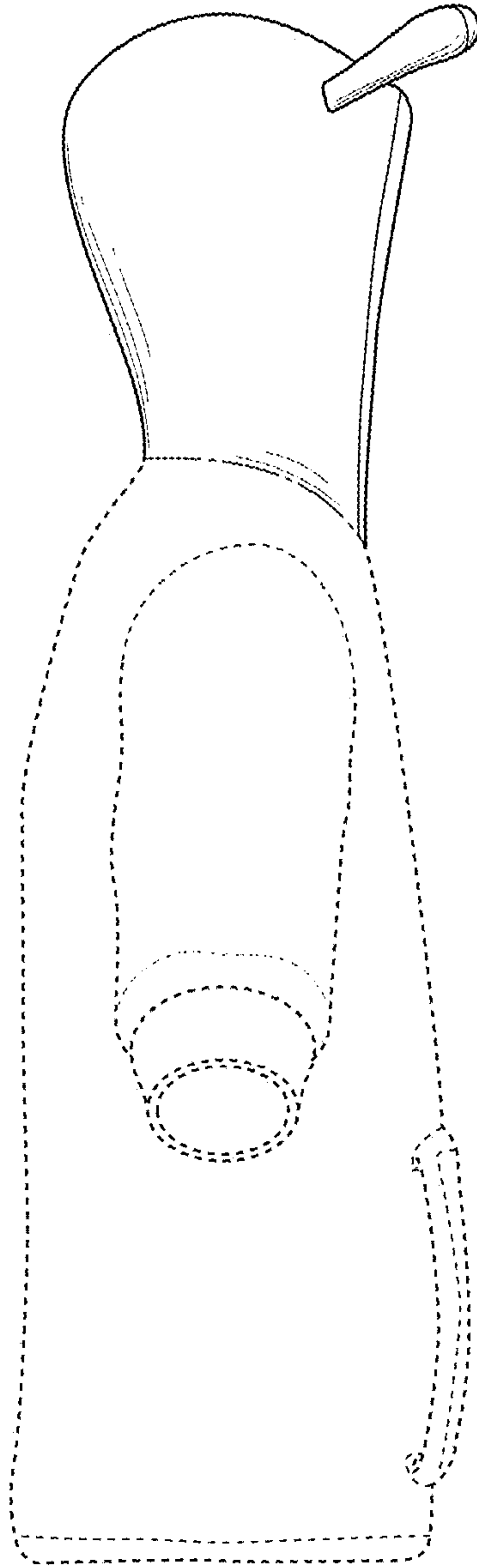


FIG. 6

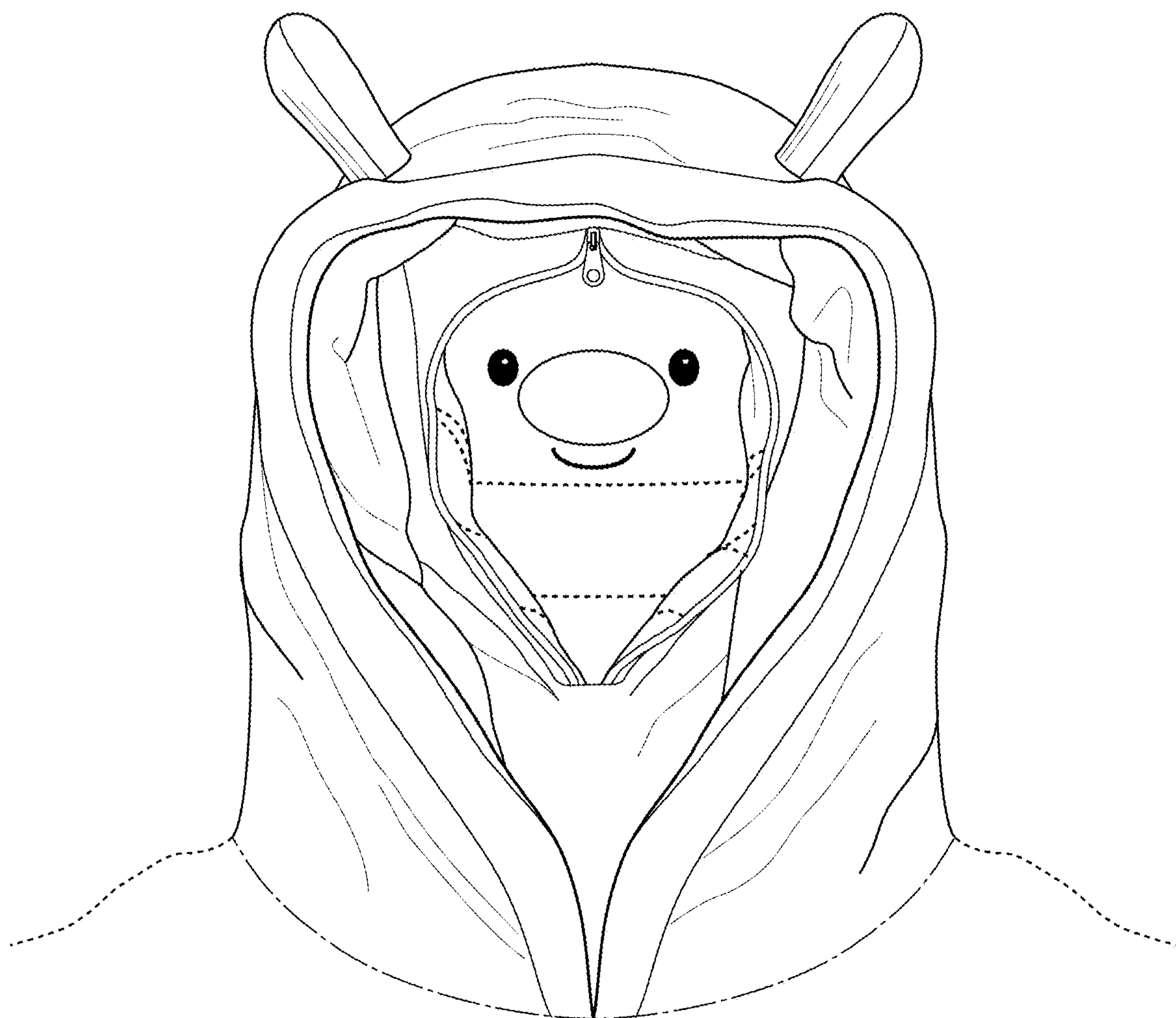


FIG. 7

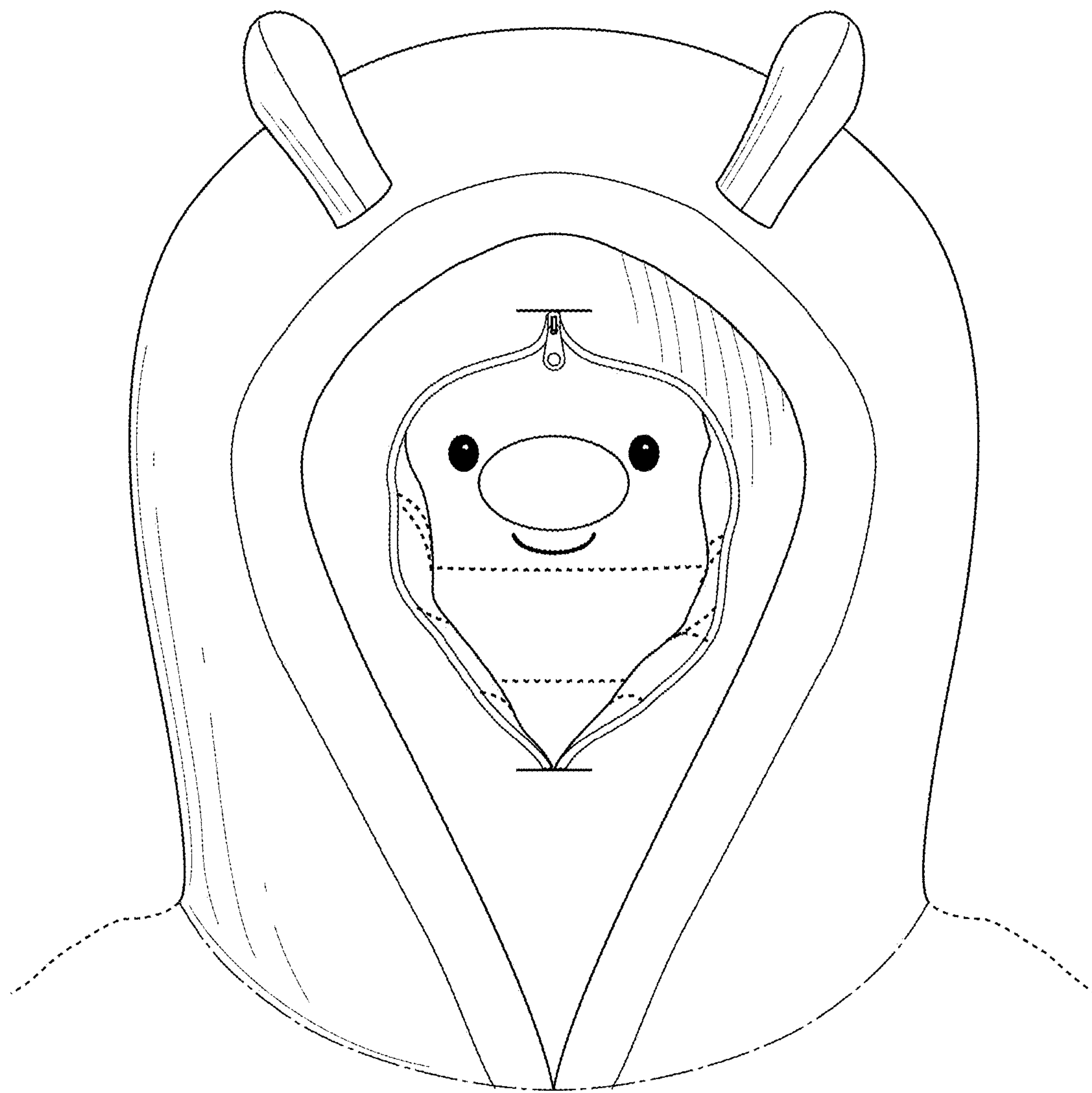


FIG. 8