



US00D881525S

(12) **United States Design Patent**
Buonocore

(10) **Patent No.:** **US D881,525 S**

(45) **Date of Patent:** **** Apr. 21, 2020**

(54) **CAT SWEATSHIRT HOOD**

(71) Applicant: **Ontel Products Corporation**, Fairfield, NJ (US)

(72) Inventor: **Carly Buonocore**, Lincoln Park, NJ (US)

(73) Assignee: **ONTEL PRODUCTS CORPORATION**, Fairfield, NJ (US)

(**) Term: **15 Years**

(21) Appl. No.: **29/680,270**

(22) Filed: **Feb. 14, 2019**

(51) **LOC (12) Cl.** **02-02**

(52) **U.S. Cl.**
USPC **D2/831; D2/878**

(58) **Field of Classification Search**
USPC D2/728, 823, 824, 825, 826, 828, 831, D2/865, 866, 867, 870, 874, 877, 878, D2/880, 881, 887, 891, 892, 895; D5/13, D5/14, 20, 63, 64, 65; D6/598; D21/659, 660; D29/102, 108
CPC A41D 3/02; A41D 11/00; A41D 15/005; A41D 15/04; A41D 2200/20; A41D 27/08; A42B 1/00; A42B 1/006; A42B 1/04; A42B 1/041; A42B 1/045; A42B 1/046; A42B 1/048; A42B 7/00; A47G 9/1045; A63H 3/00

See application file for complete search history.

(56) **References Cited**

U.S. PATENT DOCUMENTS

4,543,669 A 10/1985 Katz
D324,943 S * 3/1992 Wu D2/872

(Continued)

OTHER PUBLICATIONS

Kali the Kitty, [on-line]; [review posted to the Internet on Nov. 4, 2018]; [retrieved from the Internet on Apr. 1, 2019]; URL: <https://cubcoats.com/collections/signature-series/products/kali-the-kitty>. (2 pgs). (Year: 2018).*

(Continued)

Primary Examiner — Jasmine Mlinarcik

(74) *Attorney, Agent, or Firm* — Dickinson Wright PLLC

(57) **CLAIM**

I claim the ornamental design for a cat sweatshirt hood, as shown and described.

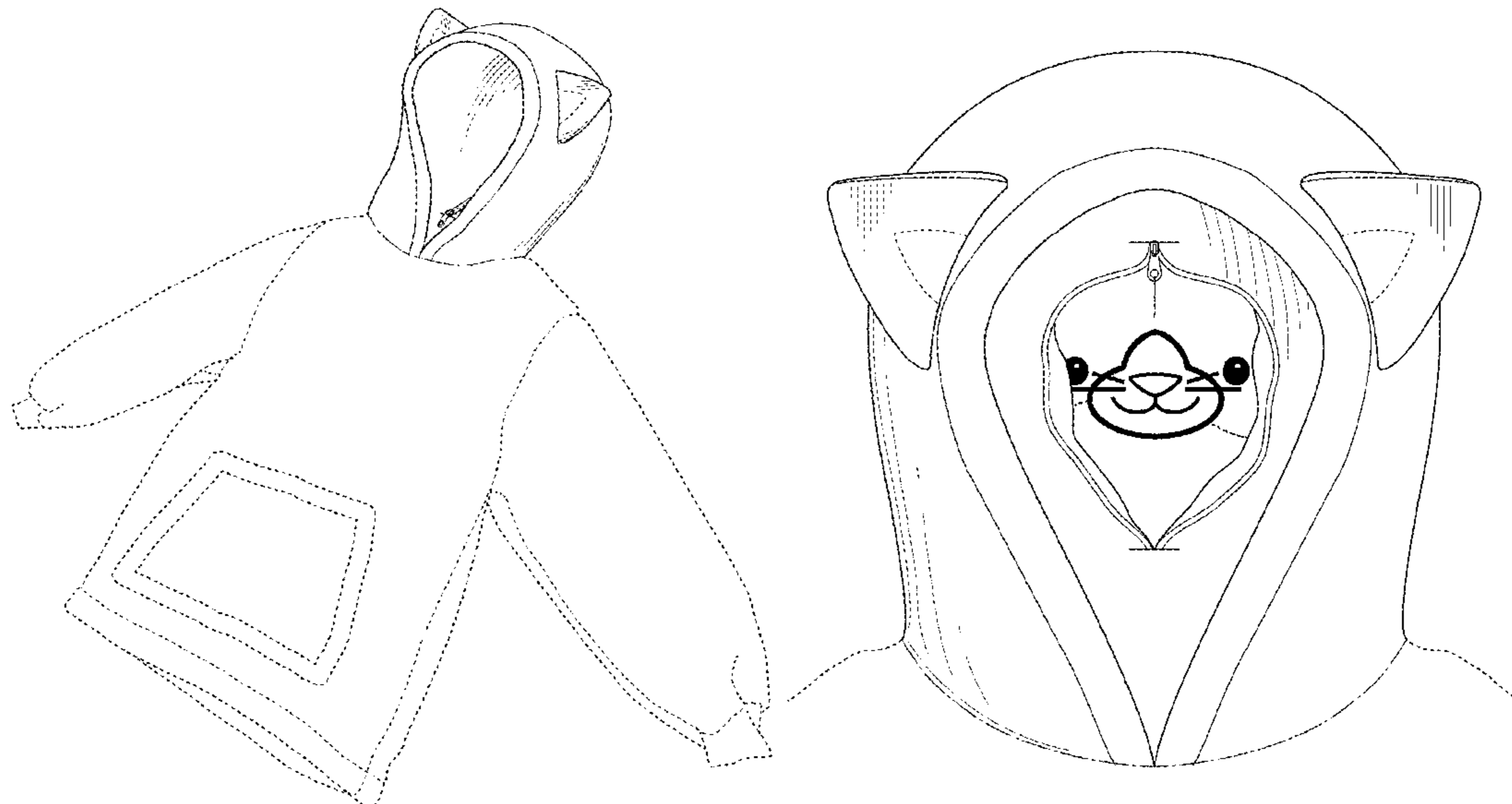
DESCRIPTION

FIG. 1 is a front perspective view of a cat sweatshirt hood; FIG. 2 is a front view of the cat sweatshirt hood of FIG. 1; FIG. 3 is a rear view of the cat sweatshirt hood of FIG. 1; FIG. 4 is a top view of the cat sweatshirt hood of FIG. 1; FIG. 5 is a right side view of the cat sweatshirt hood of FIG. 1; FIG. 6 is a left side view of the cat sweatshirt hood of FIG. 1; FIG. 7 is a front view of the cat sweatshirt hood of FIG. 1 in a laid-flat position with a zipper in an open position; and, FIG. 8 is a front view of the cat sweatshirt hood of FIG. 1 with a zipper in an open position.

The zipper follows the curvature of the cat sweatshirt hood. The facial features are an applied motif that follows the curvature of the cat sweatshirt hood.

The dash-dot-dash broken line defines the bounds of the claim and forms no part of the claimed design. The even-length broken lines along the hood portion of the cat sweatshirt hood depict features that form no part of the claimed design. The even-length broken lines beyond the boundary line depicts portions of the cat sweatshirt hood that form no part of the claimed design.

1 Claim, 7 Drawing Sheets



(56)

References Cited

U.S. PATENT DOCUMENTS

D409,428	S *	5/1999	Bear	D21/656
6,651,256	B1 *	11/2003	Swift	A42B 1/004
					2/15
D522,788	S *	6/2006	Keller	D6/598
D551,429	S *	9/2007	Wager	D2/831
D589,683	S *	4/2009	Knab	D2/869
D672,534	S *	12/2012	Smith	D2/878
D695,965	S *	12/2013	Ratner	D29/102
D708,822	S *	7/2014	Douglas	D2/880
8,864,544	B2 *	10/2014	Anderman	A63H 3/003
					2/75
D761,524	S *	7/2016	Cook	D2/878
9,573,073	B1 *	2/2017	Mazur	A63H 33/004
9,936,746	B1	4/2018	Park		
D836,302	S *	12/2018	Alba	D2/867
2008/0115254	A1	5/2008	Galkov		
2014/0237700	A1	8/2014	Albert		
2015/0121604	A1	5/2015	Lee et al.		
2018/0132551	A1	5/2018	Holder, III		

OTHER PUBLICATIONS

Lziiizl Women Girl Hoodies Cute Cat Ear Novelty Printed Pullover Sweatshirt, [on-line]; [review posted to the Internet on Nov. 14, 2018]; [retrieved from the Internet on Apr. 1, 2019]; URL: See provided copy. (2 pgs). (Year: 2018).*
Cubcoats website; <https://cubcoats.com/collections/cubcoats>; 4 pages; accessed Jan. 24, 2019.

* cited by examiner

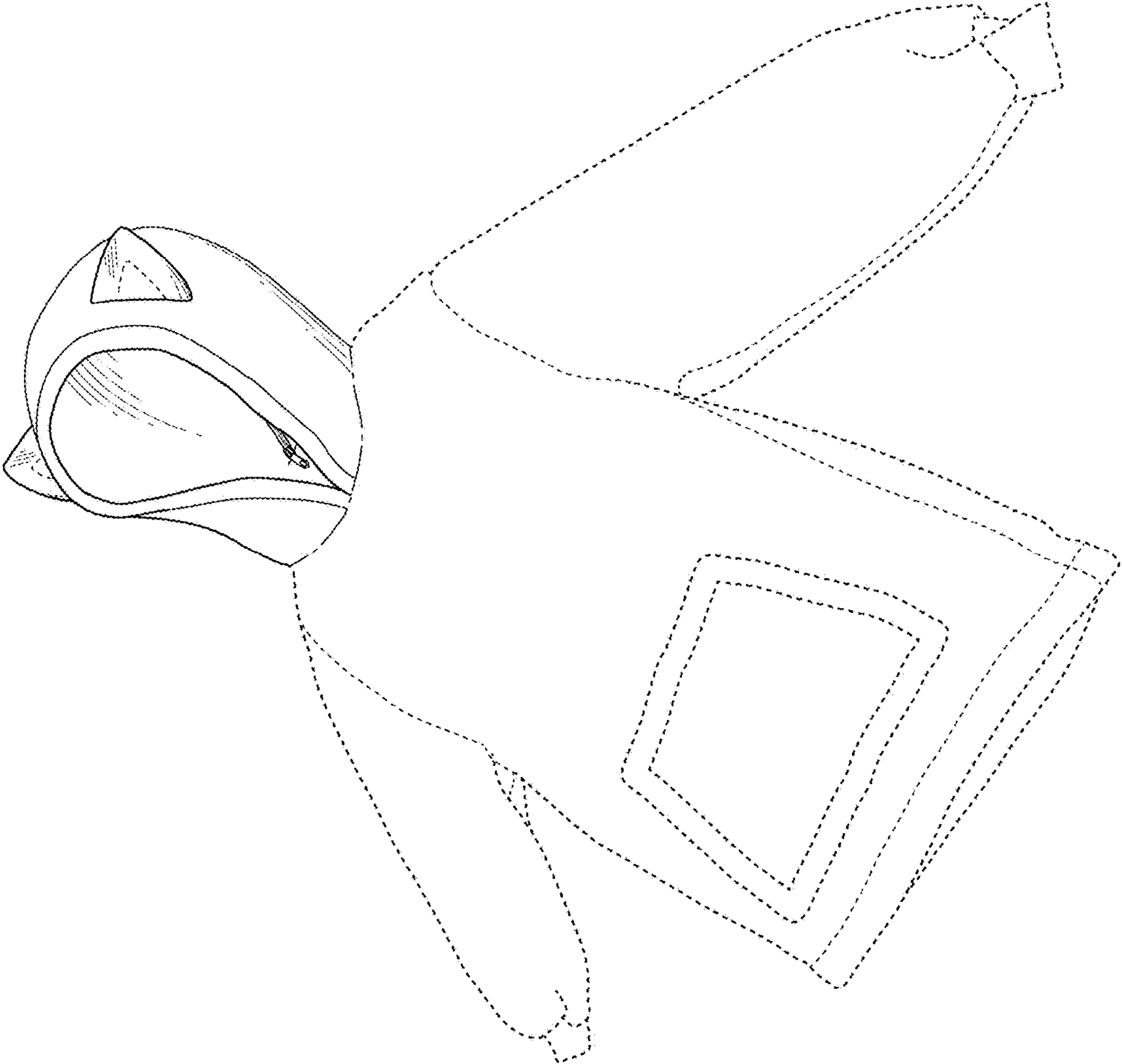


FIG. 1

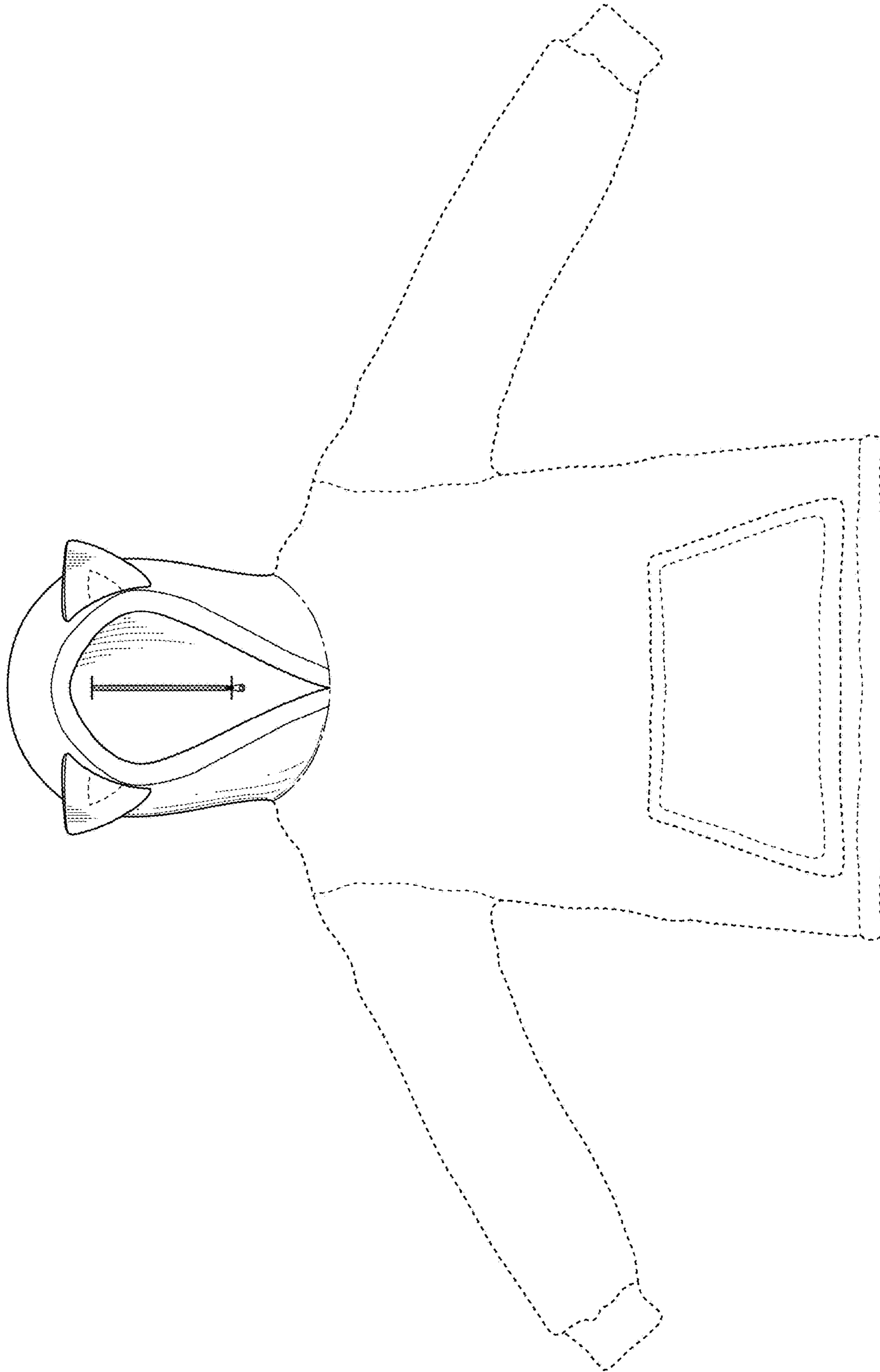


FIG. 2

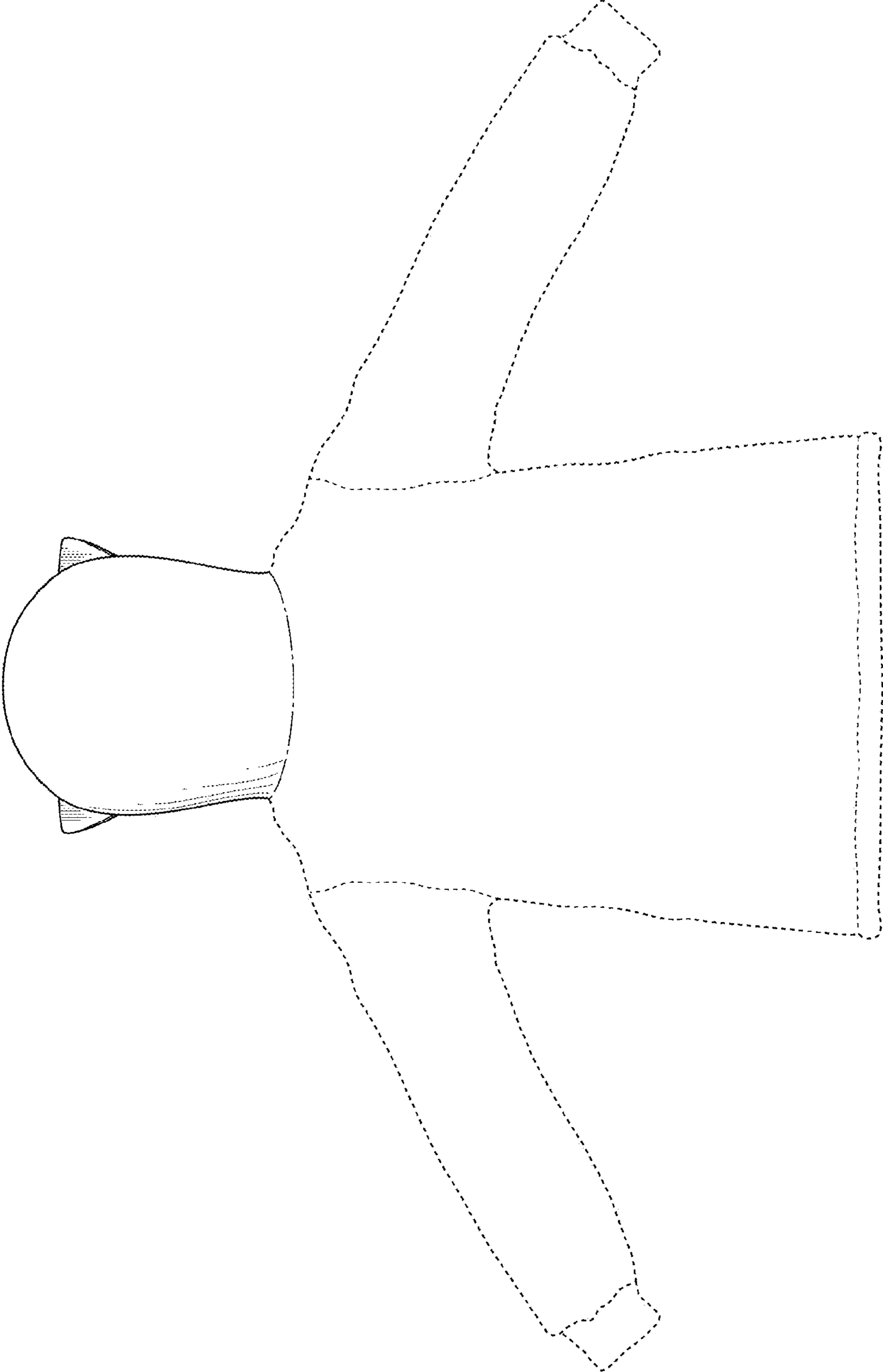


FIG. 3

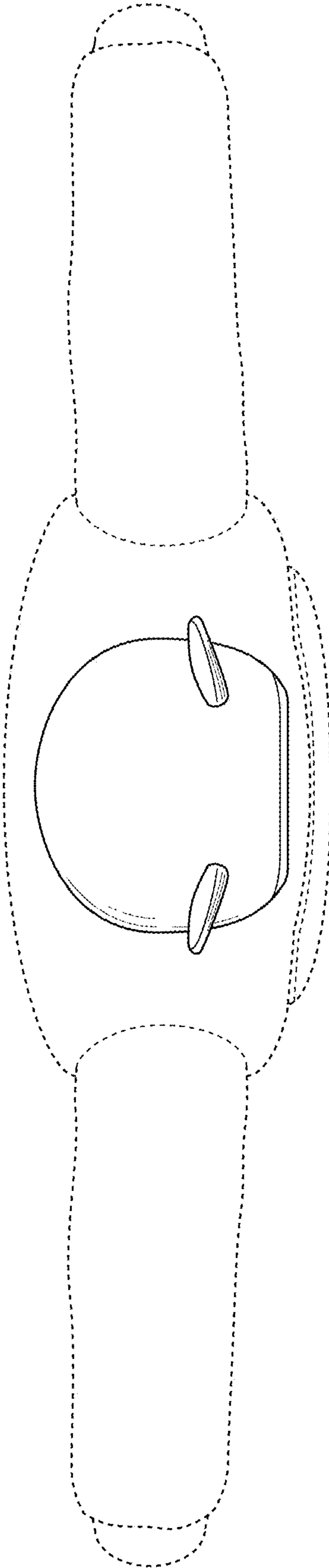


FIG. 4

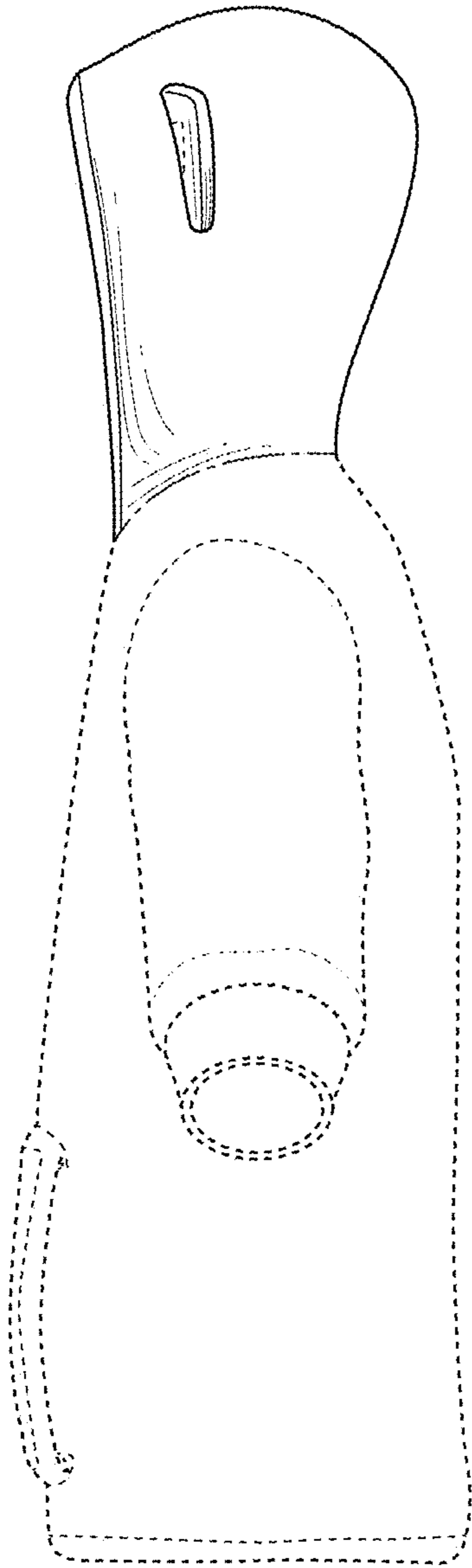


FIG. 5

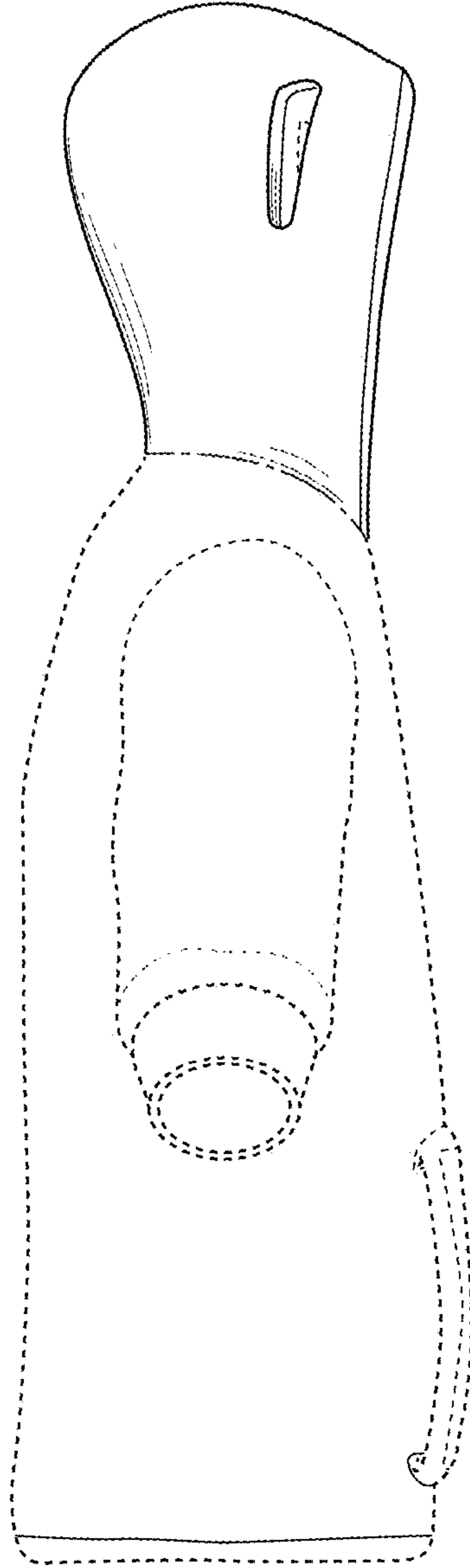


FIG. 6

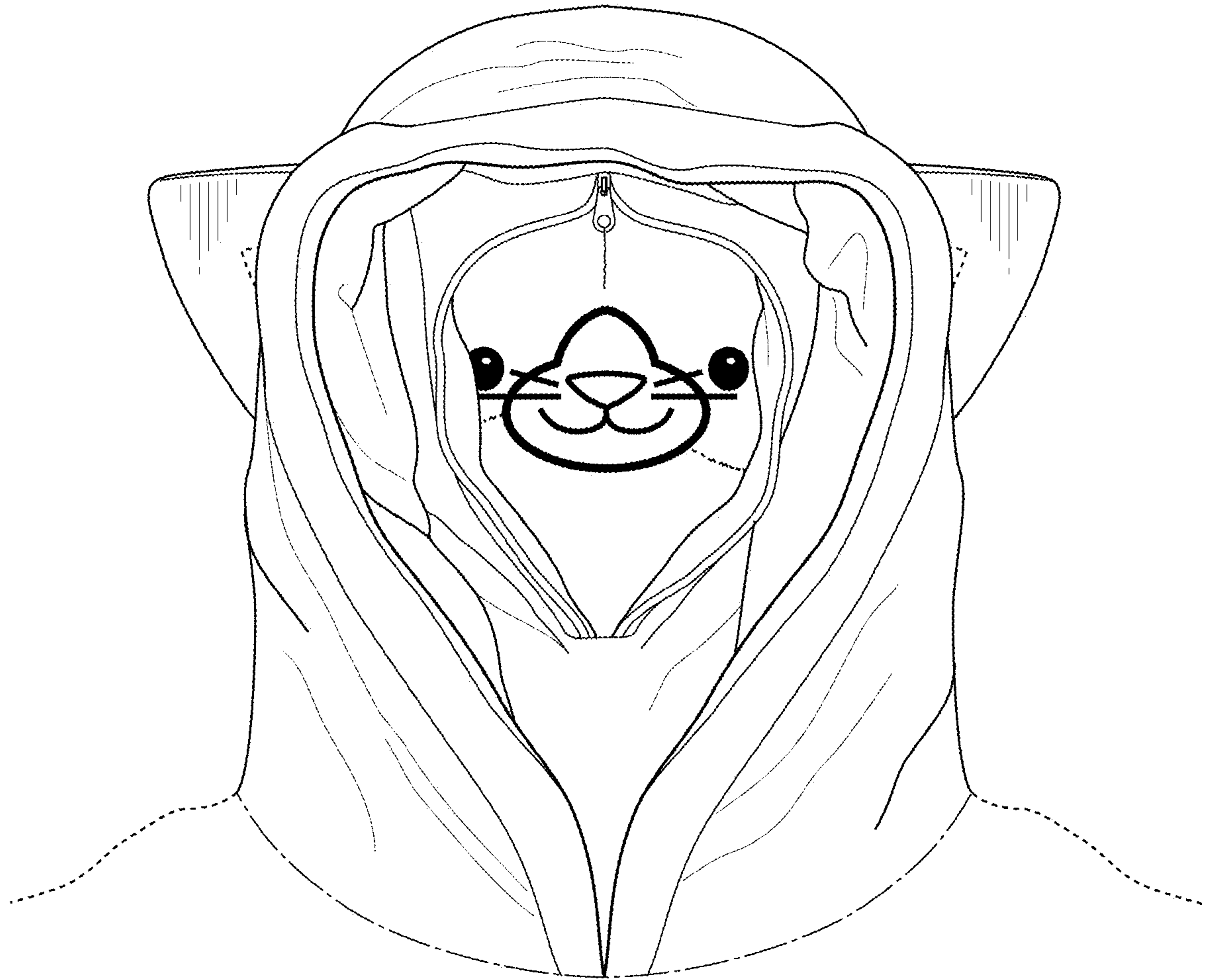


FIG. 7

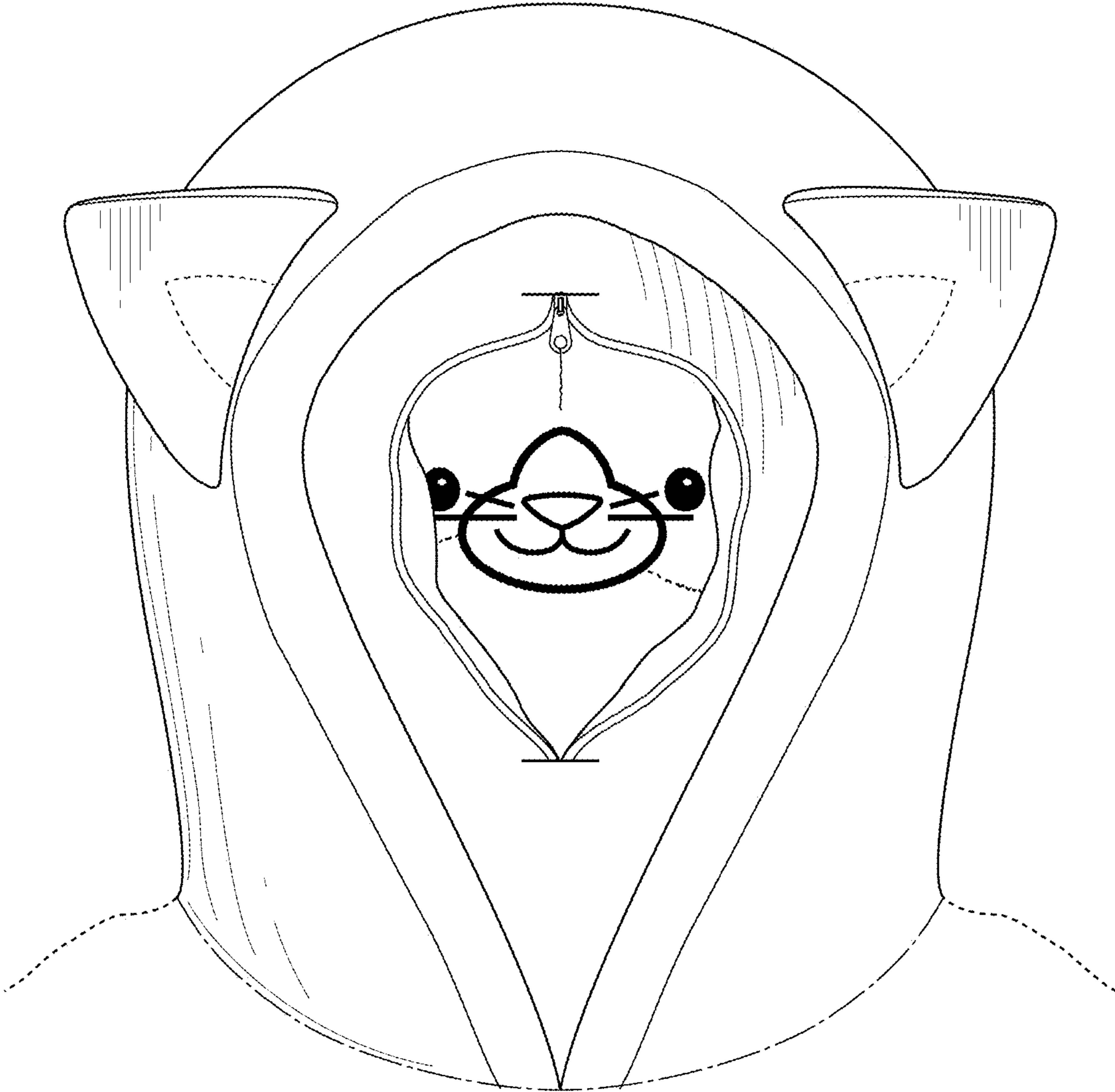


FIG. 8