



US00D881521S

(12) **United States Design Patent**
Buonocore

(10) **Patent No.:** **US D881,521 S**
(45) **Date of Patent:** **** Apr. 21, 2020**

(54) **DINOSAUR SWEATSHIRT HOOD**

(71) Applicant: **Ontel Products Corporation**, Fairfield, NJ (US)
(72) Inventor: **Carly Buonocore**, Lincoln Park, NJ (US)

(73) Assignee: **ONTEL PRODUCTS CORPORATION**, Fairfield, NJ (US)

(**) Term: **15 Years**

(21) Appl. No.: **29/680,245**

(22) Filed: **Feb. 14, 2019**

(51) **LOC (12) Cl.** **02-02**

(52) **U.S. Cl.**
USPC **D2/831; D2/878**

(58) **Field of Classification Search**
USPC D2/728, 823, 824, 825, 826, 828, 831, D2/865, 866, 867, 870, 874, 877, 878, D2/880, 881, 887, 891, 892, 895; D5/13, D5/14, 20, 63, 64, 65; D6/598; D21/659, 660; D29/102, 108
CPC A41D 3/02; A41D 11/00; A41D 15/005; A41D 15/04; A41D 2200/20; A41D 27/08; A42B 1/00; A42B 1/006; A42B 1/04; A42B 1/041; A42B 1/045; A42B 1/046; A42B 1/048; A42B 7/00; A47G 9/1045; A63H 3/00

See application file for complete search history.

(56) **References Cited**

U.S. PATENT DOCUMENTS

4,543,669 A 10/1985 Katz
D344,844 S * 3/1994 Beitscher D16/330
(Continued)

OTHER PUBLICATIONS

Green Dinosaur Hood . . . [on-line]; [review published to the Internet on Sep. 6, 2017]; [retrieved from the Internet on Apr. 1,

2019]; URL: <https://www.etsy.com/in-en/listing/248800496/green-dinosaur-hood-festival-hoods>. (2 pgs). (Year: 2017).*

Primary Examiner — Jasmine Mlinarcik

(74) *Attorney, Agent, or Firm* — Dickinson Wright PLLC

(57) **CLAIM**

I claim the ornamental design for a dinosaur sweatshirt hood, as shown and described.

DESCRIPTION

FIG. 1 is a front perspective view of a dinosaur sweatshirt hood;

FIG. 2 is a front view of the dinosaur sweatshirt hood of FIG. 1;

FIG. 3 is a rear view of the dinosaur sweatshirt hood of FIG. 1;

FIG. 4 is a top view of the dinosaur sweatshirt hood of FIG. 1;

FIG. 5 is a right side view of the dinosaur sweatshirt hood of FIG. 1;

FIG. 6 is a left side view of the dinosaur sweatshirt hood of FIG. 1;

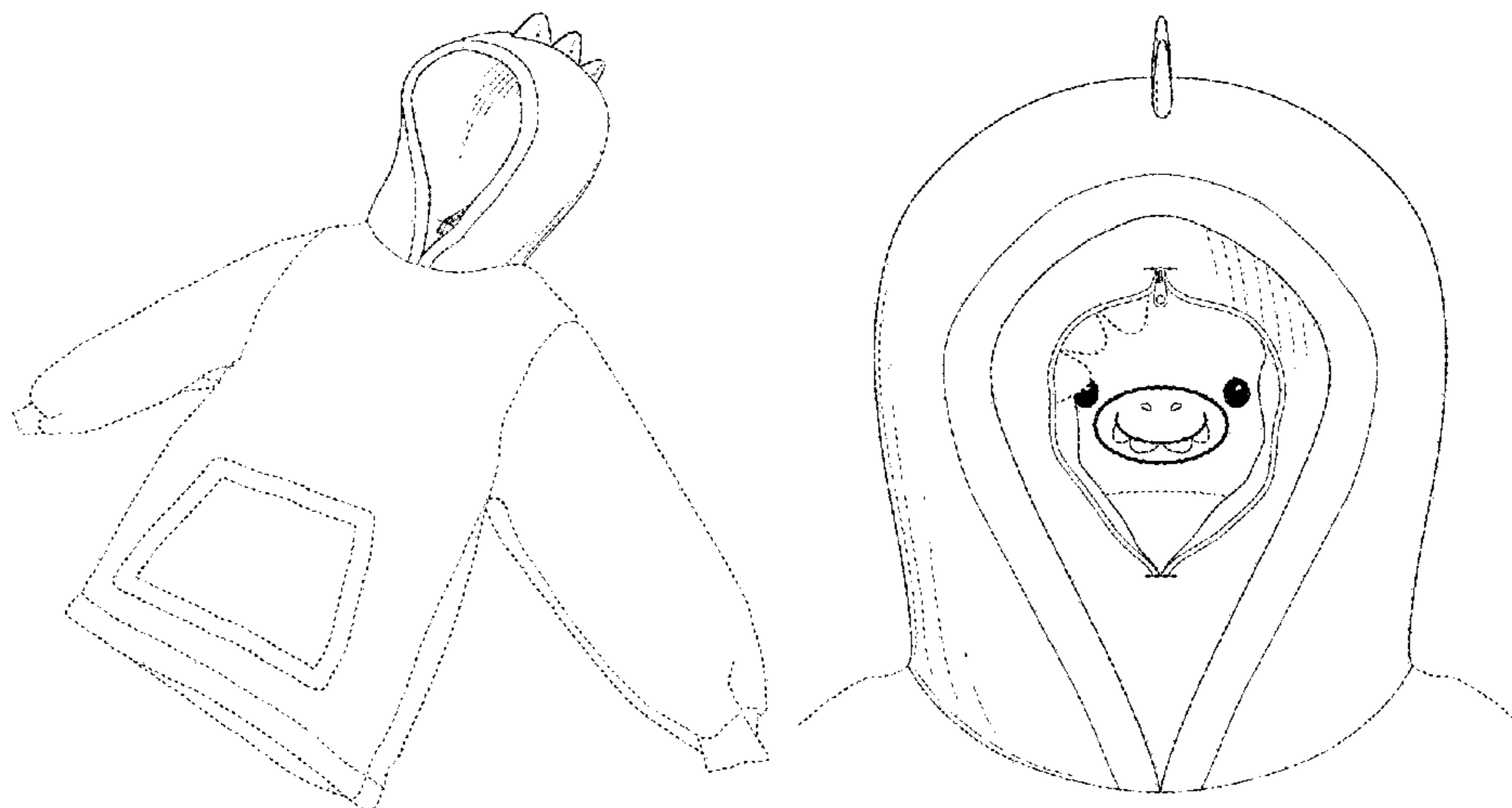
FIG. 7 is a front view of the dinosaur sweatshirt hood of FIG. 1 in a laid-flat position with a zipper in an open position; and,

FIG. 8 is a front view of the dinosaur sweatshirt hood of FIG. 1 with a zipper in an open position.

The zipper follows the curvature of the dinosaur sweatshirt hood. The facial features are an applied motif that follows the curvature of the dinosaur sweatshirt hood.

The dash-dot-dash broken line defines the bounds of the claim and forms no part of the claimed design. The even-length broken lines along the hood portion of the dinosaur sweatshirt hood depict features that form no part of the claimed design. The even-length broken lines beyond the boundary line depicts portions of the dinosaur sweatshirt hood that form no part of the claimed design.

1 Claim, 7 Drawing Sheets



(56)

References Cited

U.S. PATENT DOCUMENTS

6,041,436 A * 3/2000 Keen A41D 1/00
2/456
D482,242 S * 11/2003 Yamane D2/831
D523,677 S * 6/2006 Keller D6/598
D660,554 S * 5/2012 Blackshear D2/872
D663,073 S * 7/2012 Santini D29/102
D671,263 S * 11/2012 Weigl, Jr. D28/41
D672,534 S * 12/2012 Smith D2/878
D699,927 S * 2/2014 Fujioka D2/866
D708,822 S * 7/2014 Douglas D2/880
D713,126 S * 9/2014 Franz D2/825
8,864,544 B2 * 10/2014 Anderman A63H 3/003
2/75
D761,524 S * 7/2016 Cook D2/878
9,936,746 B1 4/2018 Park
2008/0115254 A1 5/2008 Galkov
2014/0237700 A1 8/2014 Albert
2015/0121604 A1 5/2015 Lee et al.
2018/0132551 A1 5/2018 Holder, III

* cited by examiner

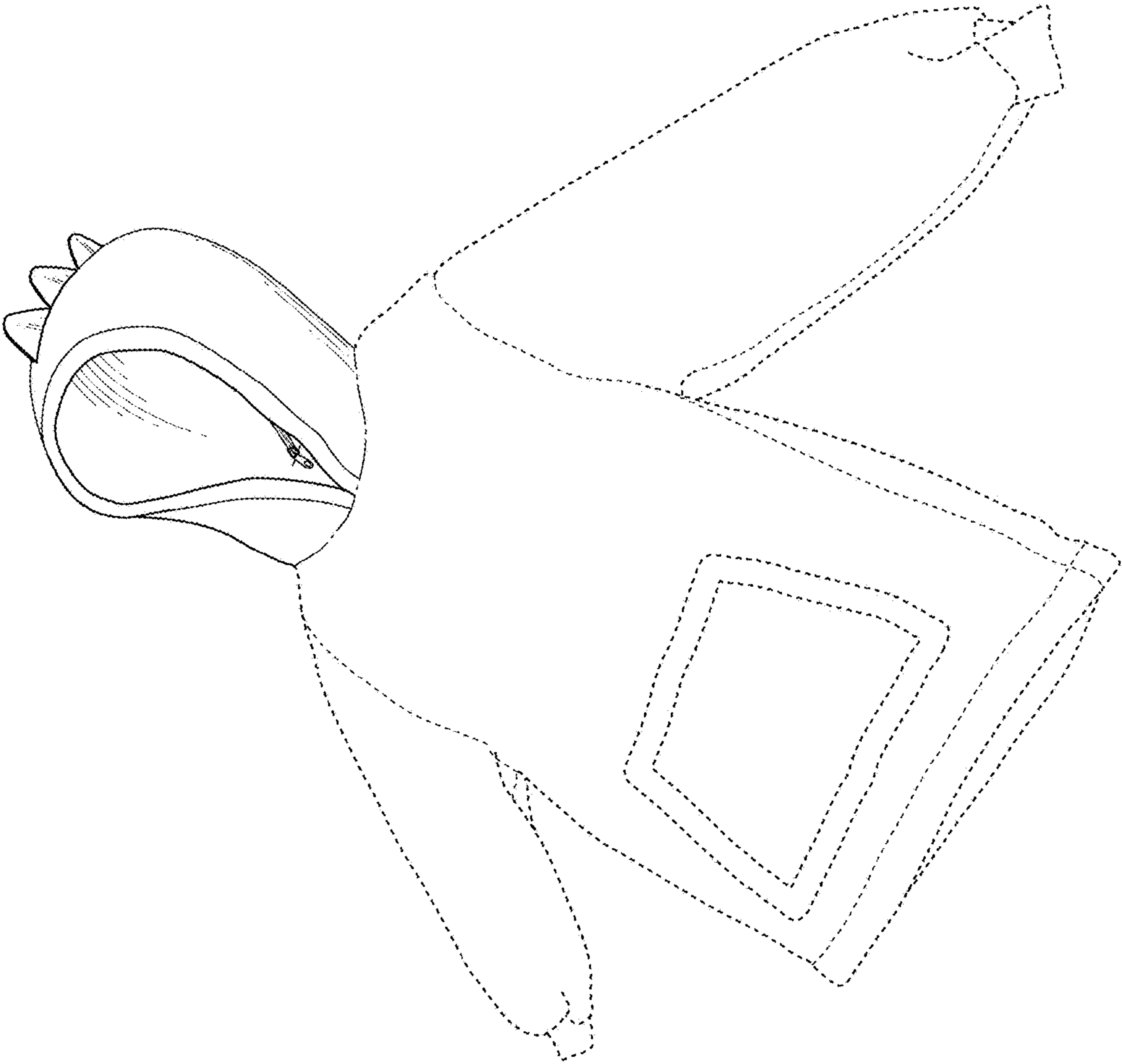


FIG. 1

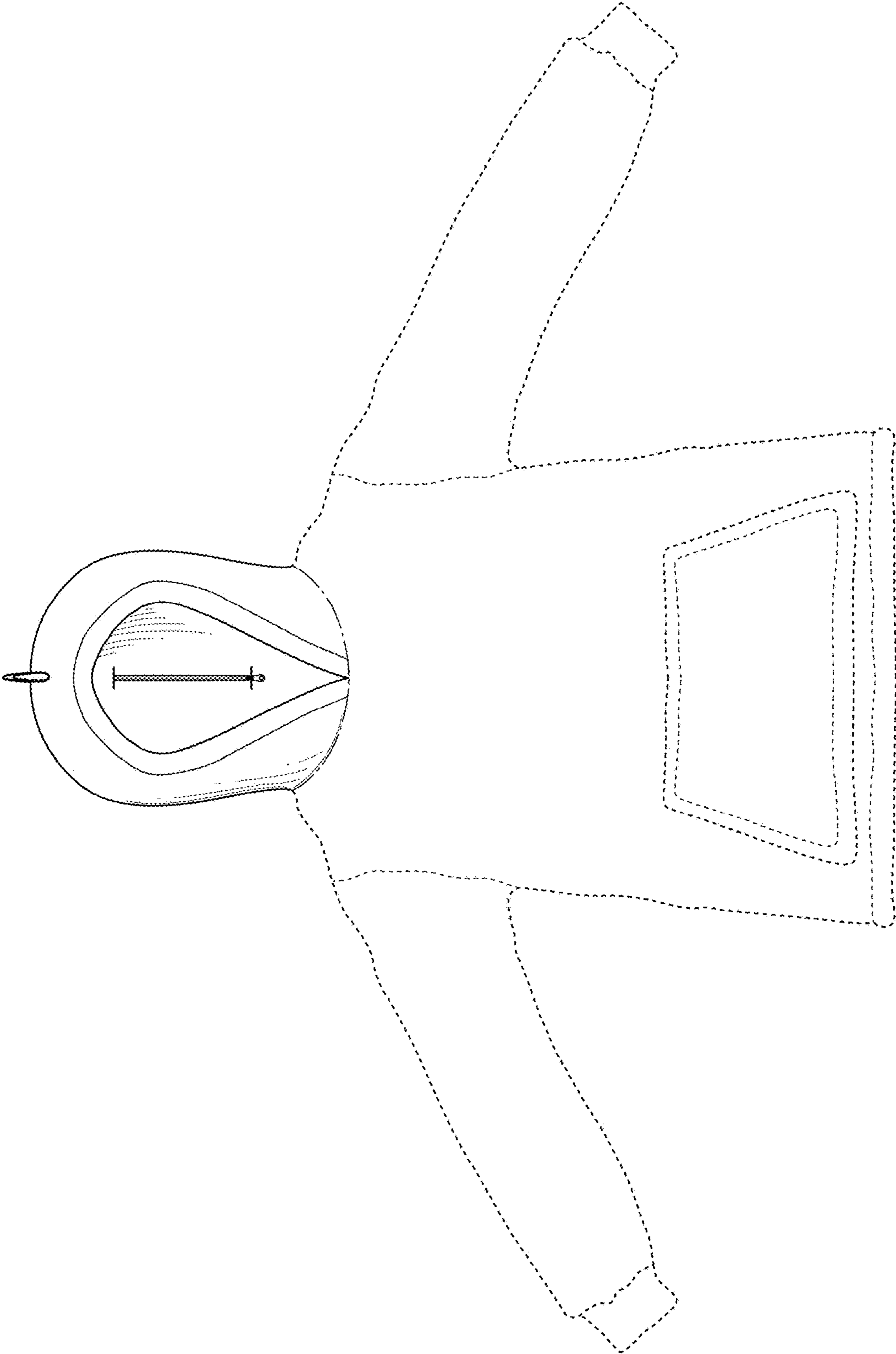


FIG. 2

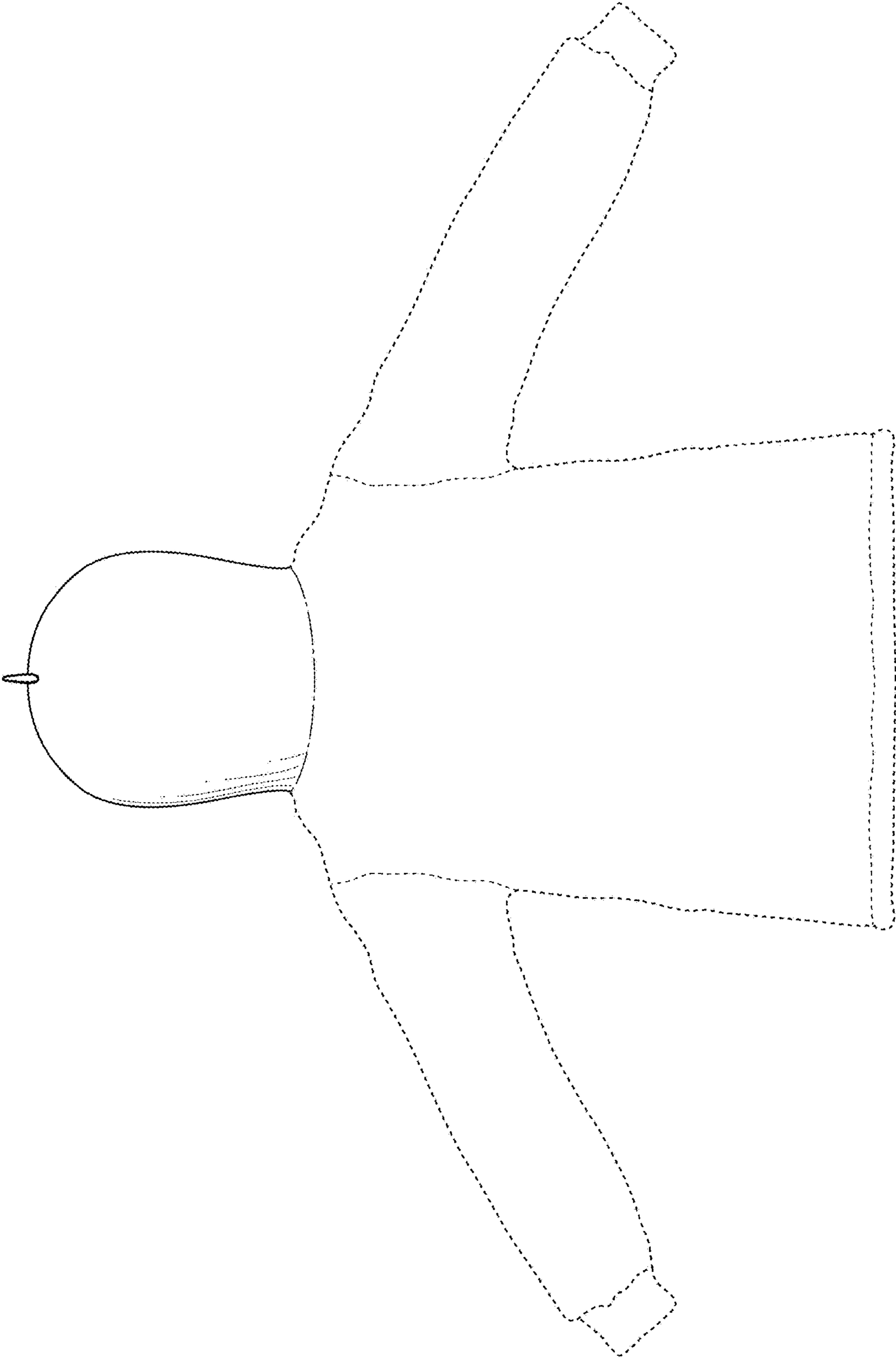


FIG. 3

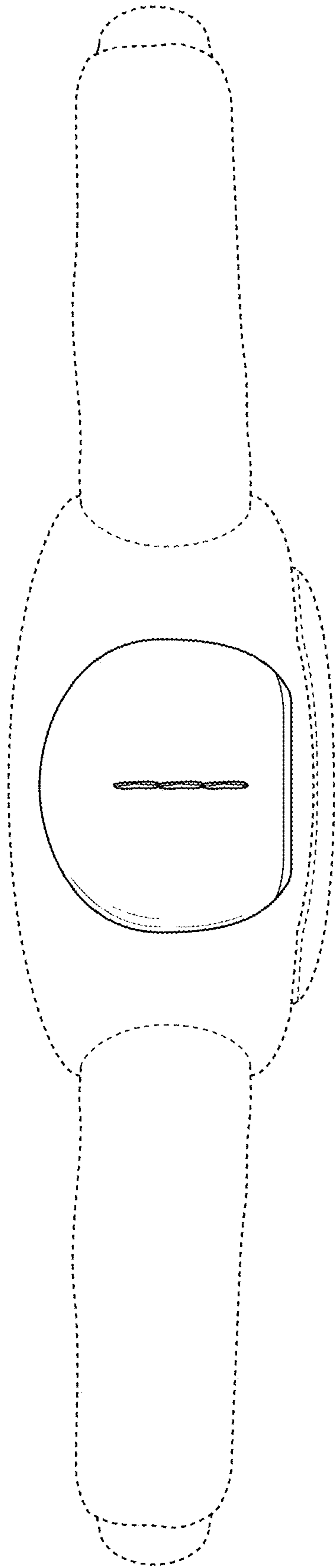


FIG. 4

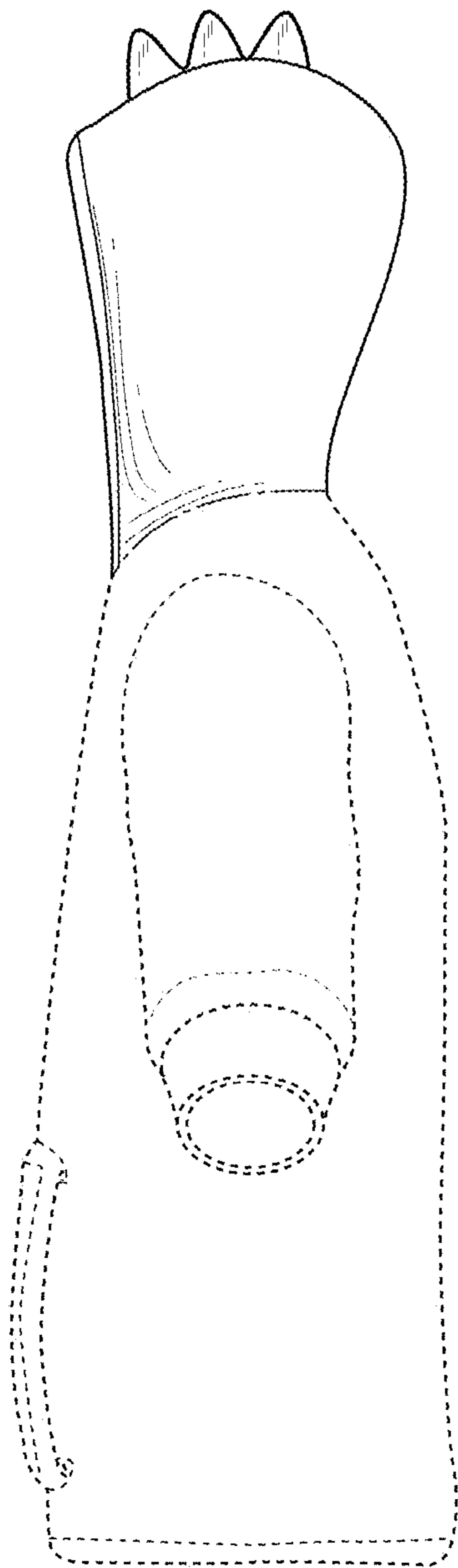


FIG. 5

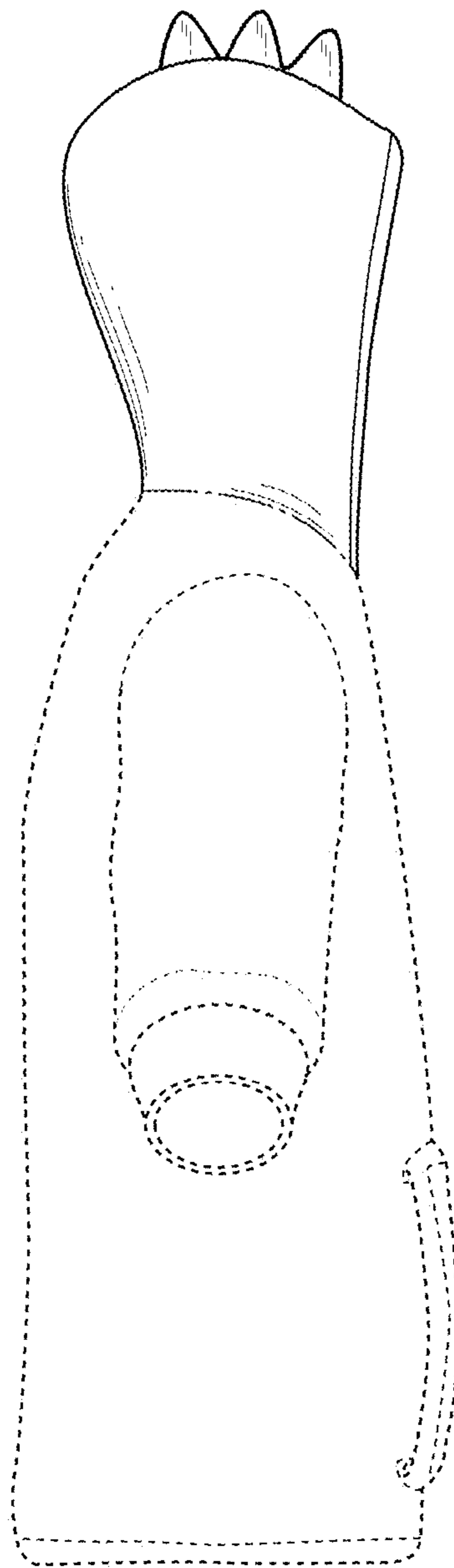


FIG. 6

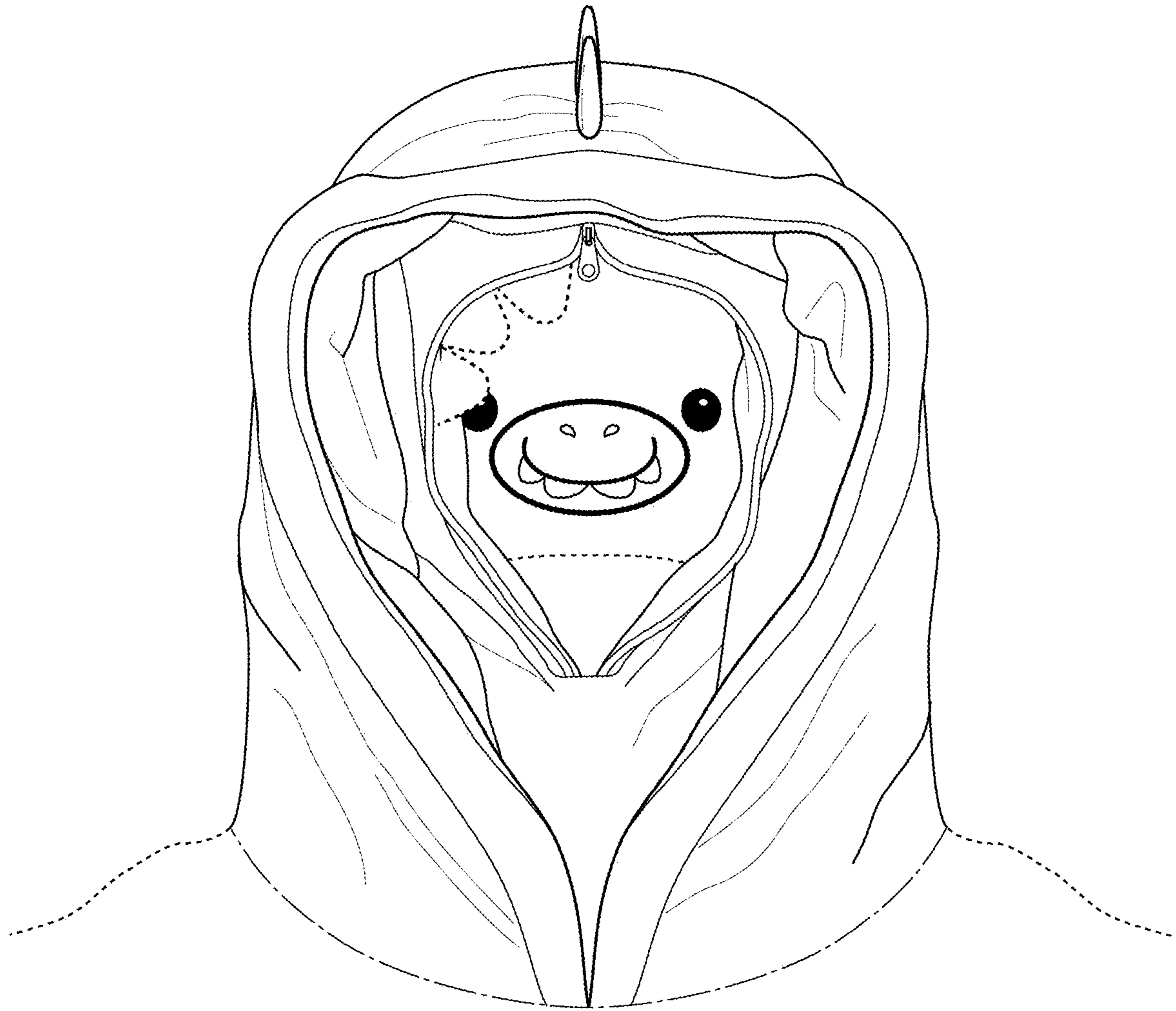


FIG. 7

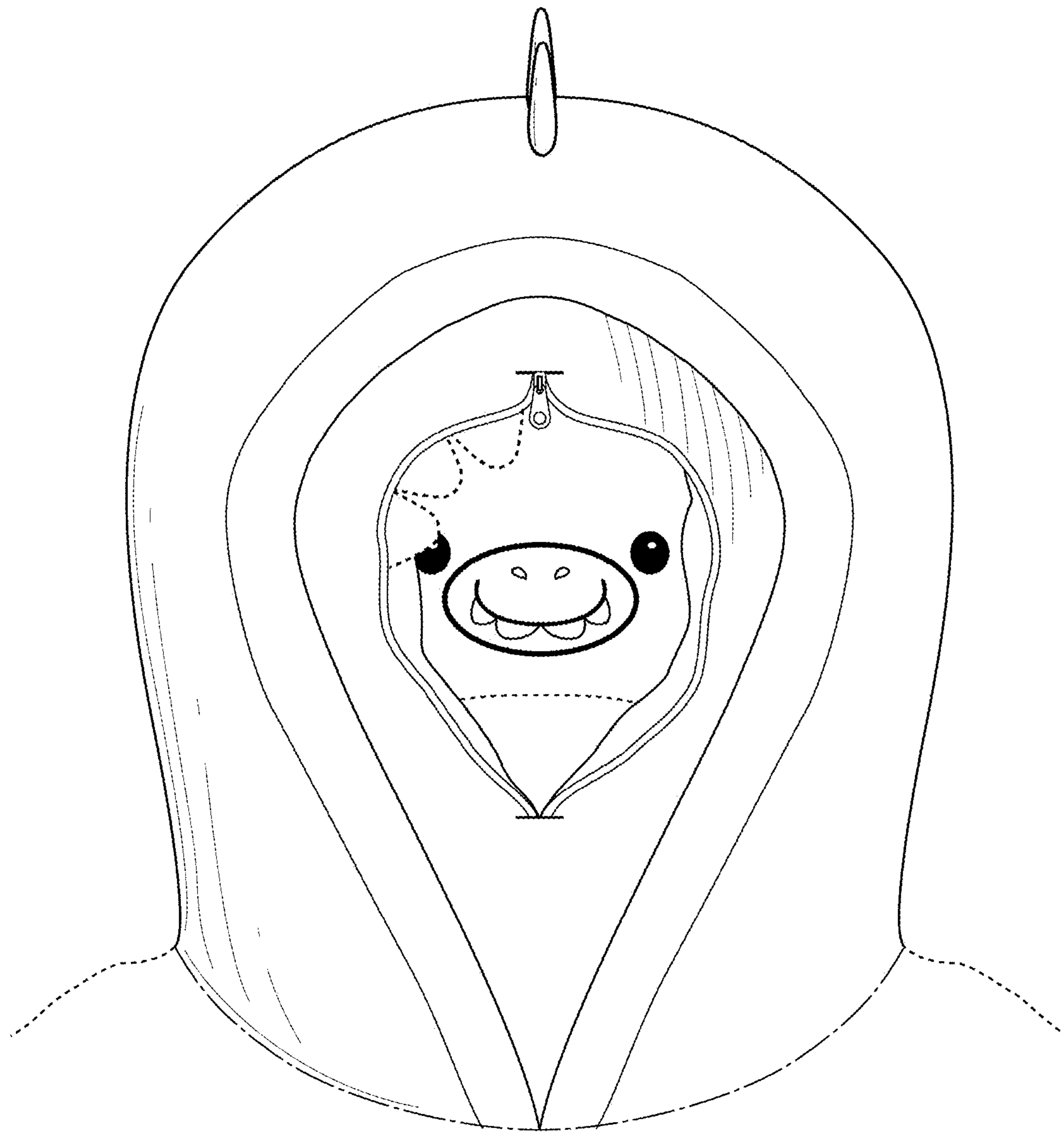


FIG. 8