



US00D881510S

(12) **United States Design Patent** (10) **Patent No.:** **US D881,510 S**
Pandolfino (45) **Date of Patent:** **** Apr. 21, 2020**

(54) **NECKWEAR FOR METALLIC BARS**

FOREIGN PATENT DOCUMENTS

(71) Applicant: **PATUGA LLC**, Clarence, NY (US)

AT 389630 B 1/1990
CN 2888922 Y 4/2007

(72) Inventor: **Joseph Pandolfino**, Clarence, NY (US)

(Continued)

(73) Assignee: **PATUGA LLC**, Clarence, NY (US)

OTHER PUBLICATIONS

(**) Term: **15 Years**

Engineering Corner, <https://www.shapeways.com/product/MUT37CQWA/articulated-necktie-clips-on-to-your-top-button>; author and publication date unknown.

(21) Appl. No.: **29/700,853**

(Continued)

(22) Filed: **Aug. 6, 2019**

(51) **LOC (12) Cl.** **02-05**

Primary Examiner — Jasmine Mlinarcik

(52) **U.S. Cl.**

(74) *Attorney, Agent, or Firm* — Sughrue Mion, PLLC

USPC **D2/605**; D11/79

(58) **Field of Classification Search**

(57) **CLAIM**

USPC D2/600, 601, 602, 603, 604, 605, 606,
D2/607, 608, 609, 627, 633, 637;
D3/207; D6/300; D8/323, 325, 327,
D8/328; D11/1, 2, 3, 7, 8, 12, 19, 79, 80
CPC A41D 23/00; A41D 25/00; A41D 25/003;
A41D 25/005; A41D 25/006; A41D
25/008; A41D 25/02; A41D 25/06; A44C
25/004; A45C 2001/062

The ornamental design for a neckwear for metallic bars, as shown and described.

See application file for complete search history.

DESCRIPTION

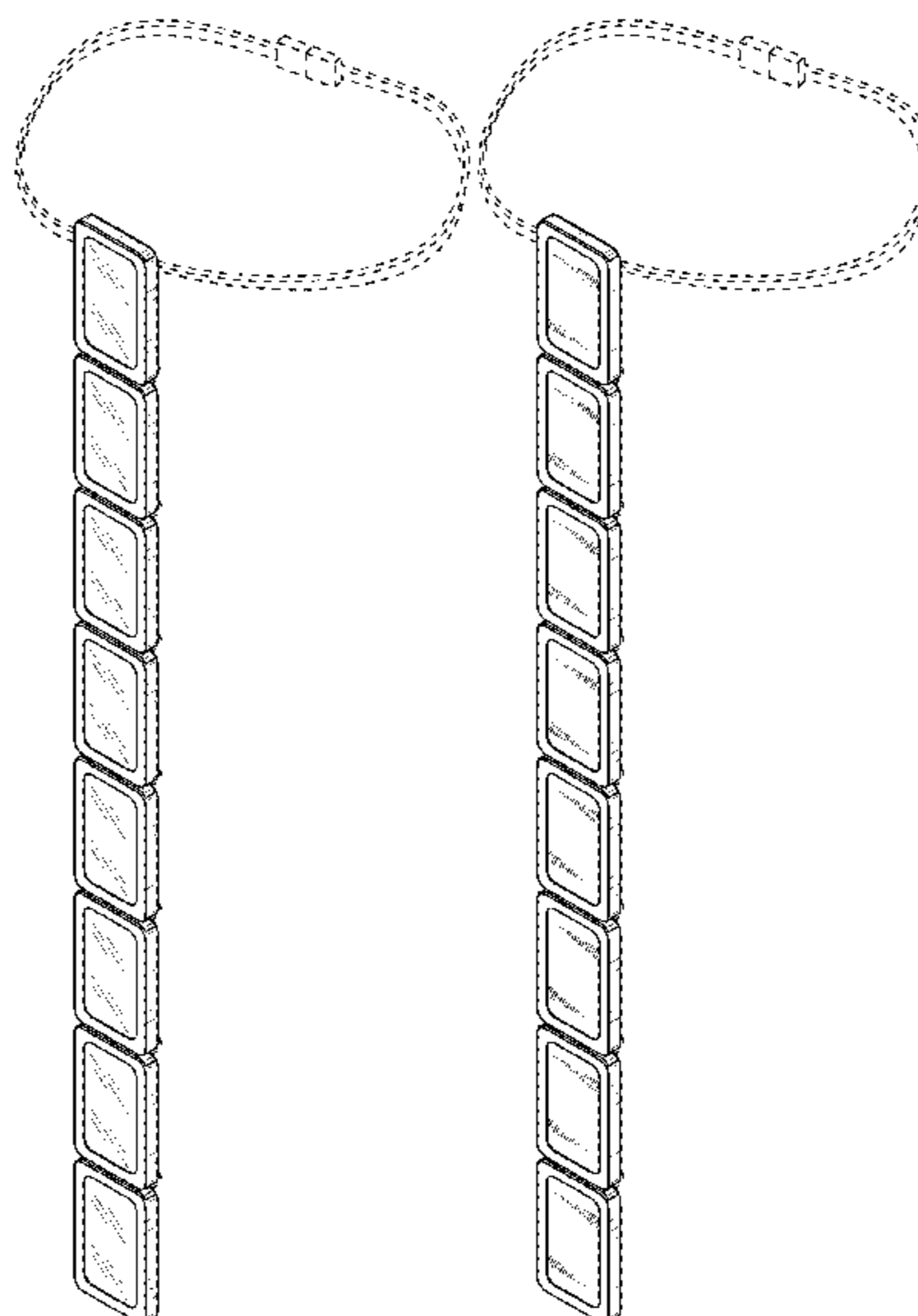
(56) **References Cited**

U.S. PATENT DOCUMENTS

1,626,139 A	4/1927	Kraysler	
2,378,755 A	6/1945	Dowling	
D150,801 S	8/1948	Meierowitz	
D171,744 S	3/1954	Augenstein	
D249,339 S	9/1978	Coulthurst	
4,165,573 A *	8/1979	Richards	A44C 3/00 206/0.8
4,546,494 A	10/1985	Garber	
D285,314 S *	8/1986	Galoppo	D19/157
4,627,113 A	12/1986	Lord	
D294,658 S *	3/1988	Davenport, Sr.	D2/633
D301,520 S	6/1989	Campbell	

FIG. 1 is a front view of a first embodiment of a neckwear for metallic bars showing my new design;
FIG. 2 is a rear view thereof;
FIG. 3 is a right side view thereof;
FIG. 4 is a left side view thereof;
FIG. 5 is a top view thereof;
FIG. 6 is a bottom view thereof;
FIG. 7 is a front perspective view thereof;
FIG. 8 is a front view of a second embodiment of the neckwear for metallic bars showing my new design;
FIG. 9 is a rear view thereof;
FIG. 10 is a right side view thereof;
FIG. 11 is a left side view thereof;
FIG. 12 is a top view thereof;
FIG. 13 is a bottom view thereof; and,
FIG. 14 is a front perspective view thereof.
The broken lines depict portions of the neckwear for metallic bars that form no part of the claimed design.

1 Claim, 8 Drawing Sheets



(56)

References Cited

U.S. PATENT DOCUMENTS

D311,356 S * 10/1990 De Frahan D11/79
 D318,754 S 8/1991 Hughes
 5,036,550 A 8/1991 Wilsey
 D320,499 S 10/1991 White et al.
 D322,227 S * 12/1991 Warhol D10/32
 5,238,528 A 8/1993 Heinrich
 D340,005 S 10/1993 Butler, Jr.
 D340,871 S * 11/1993 Iwamura D10/125
 D340,879 S 11/1993 French
 D374,111 S 10/1996 Wilson
 D376,334 S 12/1996 Mougenot
 5,673,434 A 10/1997 Risk
 D398,435 S 9/1998 Gray
 D437,471 S 2/2001 Harris
 D463,308 S * 9/2002 Skiles D11/3
 D472,178 S 3/2003 Avril
 7,028,507 B2 * 4/2006 Rapport A44C 5/003
 63/18
 7,152,989 B2 * 12/2006 Radley-Smith A44C 5/0015
 362/104
 D605,376 S 12/2009 Dickerson
 D657,003 S 4/2012 Goodman-Pollack
 D663,916 S 7/2012 Bracey
 D681,496 S 5/2013 Goerges
 D708,092 S 7/2014 Foye et al.
 D714,178 S 9/2014 Sabbioni
 D748,370 S 2/2016 Johnson
 D775,777 S 1/2017 Peral
 D776,555 S 1/2017 Bryant
 D782,161 S * 3/2017 Rucker D2/853
 D800,991 S * 10/2017 Gordon D2/627
 D803,715 S 11/2017 Lane
 D811,923 S 3/2018 Bryant
 D814,741 S 4/2018 Peral
 D817,592 S 5/2018 Pandolfino
 D824,795 S 8/2018 Pandolfino
 D825,373 S 8/2018 Pandolfino

10,136,689 B1 11/2018 Pandolfino
 D834,989 S 12/2018 Pandolfino
 D834,990 S 12/2018 Pandolfino
 10,149,505 B2 12/2018 Pandolfino
 10,172,400 B1 1/2019 Pandolfino
 D848,705 S 5/2019 Pandolfino
 D850,757 S 6/2019 Jackson
 D854,441 S 7/2019 Pandolfino
 D860,852 S * 9/2019 Pandolfino D11/79
 D867,311 S * 11/2019 Hikima D13/171
 2018/0153266 A1 6/2018 Alturk
 2018/0168254 A1 6/2018 Pandolfino
 2019/0000166 A1 1/2019 Pandolfino
 2019/0059481 A1 2/2019 Pandolfino
 2019/0069619 A1 3/2019 Pandolfino

FOREIGN PATENT DOCUMENTS

JP 2010-248641 A 11/2010
 WO 88/06414 A1 9/1988

OTHER PUBLICATIONS

The fusionguy, <https://thefusionguy.wordpress.com/category/woodworking/>; author and publication date unknown.
<http://woodknot.com/>; author and publication date unknown.
<http://www.jebiga.com/cams-wooden-ties-new-take-fashion/>; author and publication date unknown.
<https://www.vat19.com/item/wood-tie>; author and publication date unknown.
 Stoneforlife; https://www.etsy.com/listing/570676239/pave-diamond-rectangle-moonstone-charm?gpla=1&gao=1&utm_campaign=shopping_us_stoneforlife_sfc_osa&utm_medium=cpc&utm_source=google&utm_custom1=0&utm_content=16154542&gclid=EA1a1Qd3ChM1h66Zo6_T2A1VxYqzCh3y3g50EAQYBCABEgJOuPD BwE; author and publication date unknown.

* cited by examiner

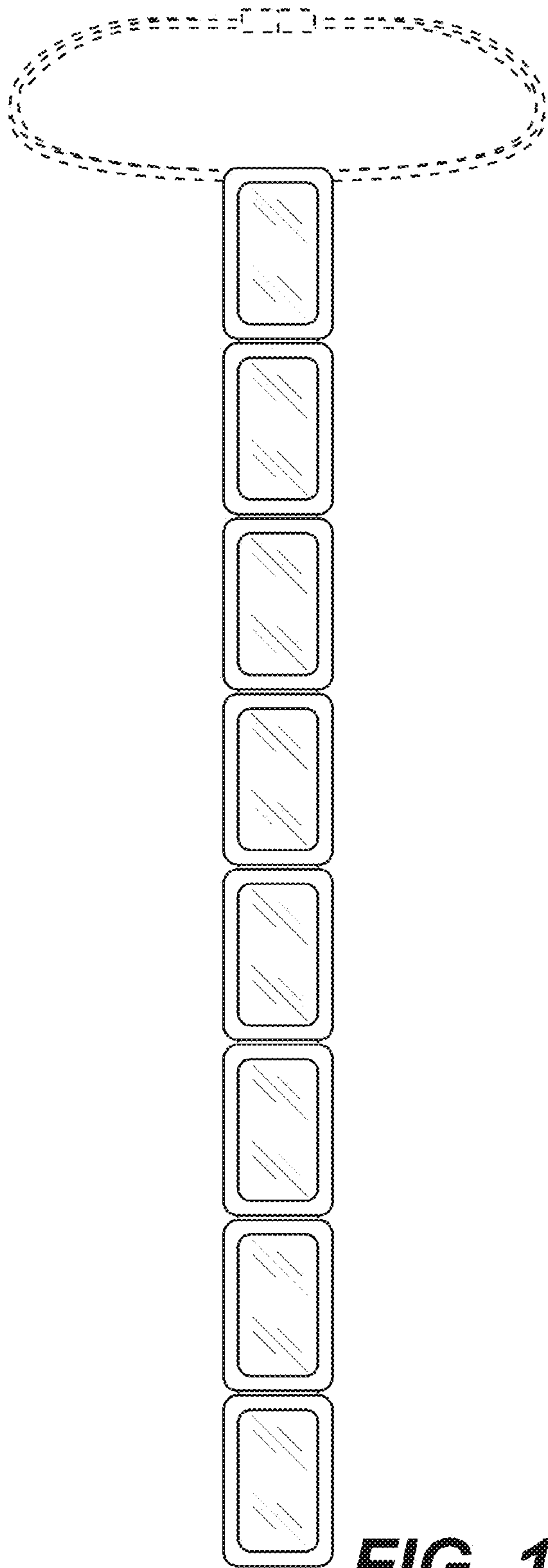


FIG. 1

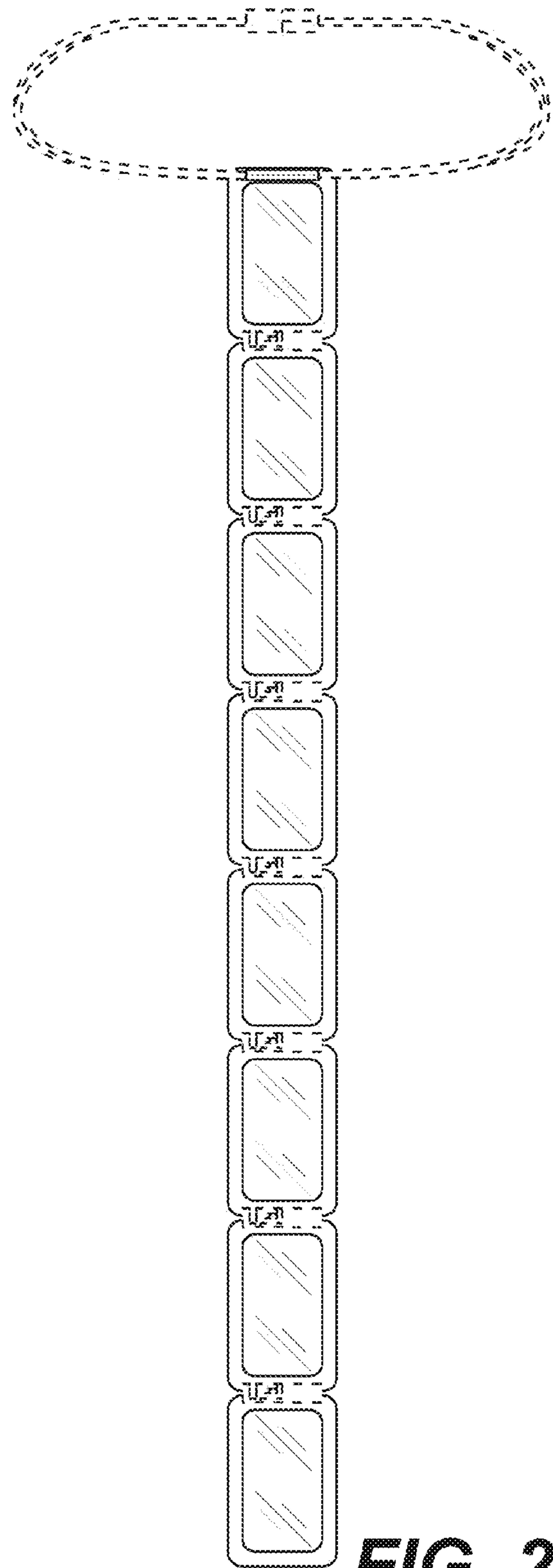


FIG. 2

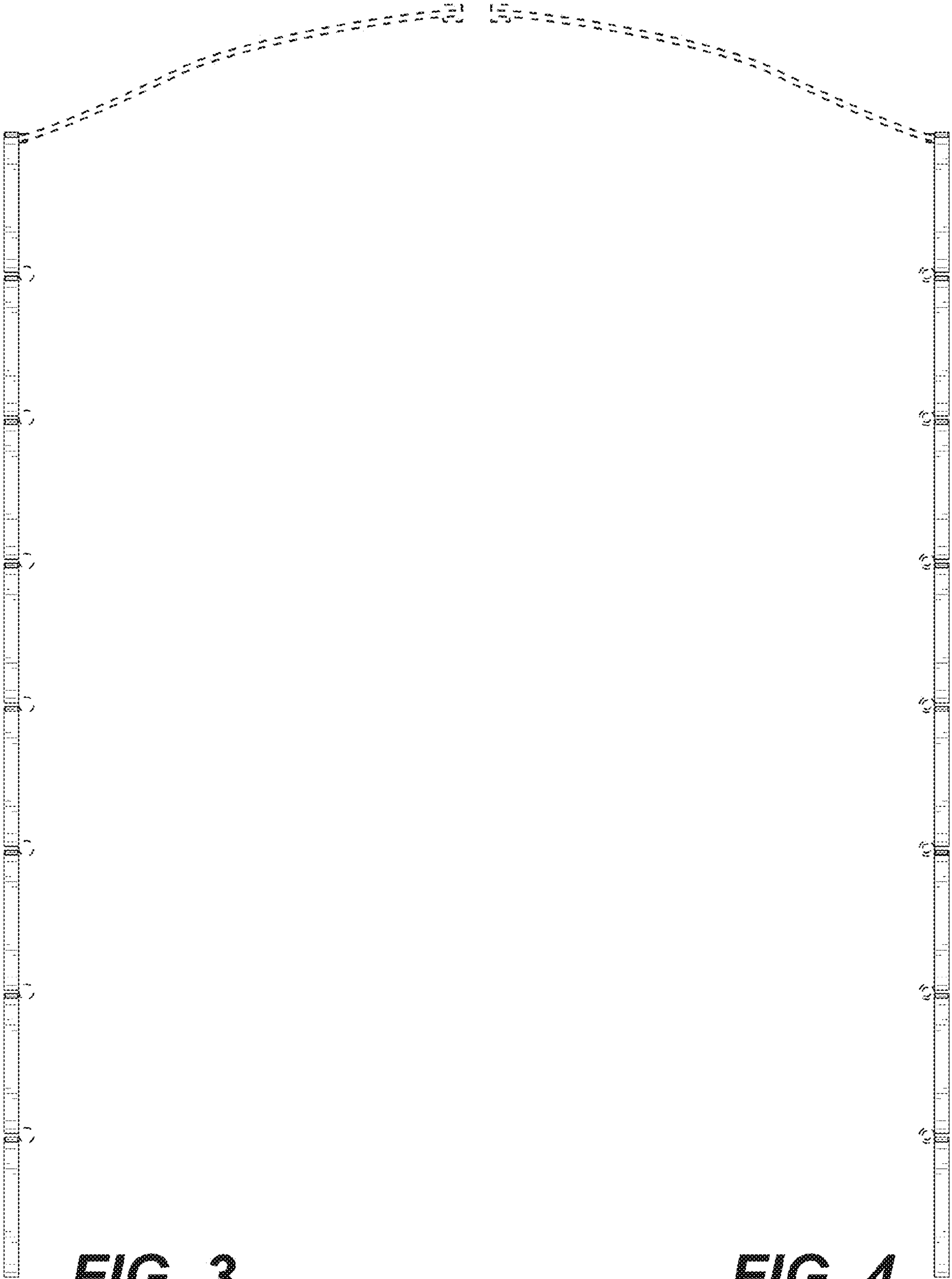


FIG. 3

FIG. 4

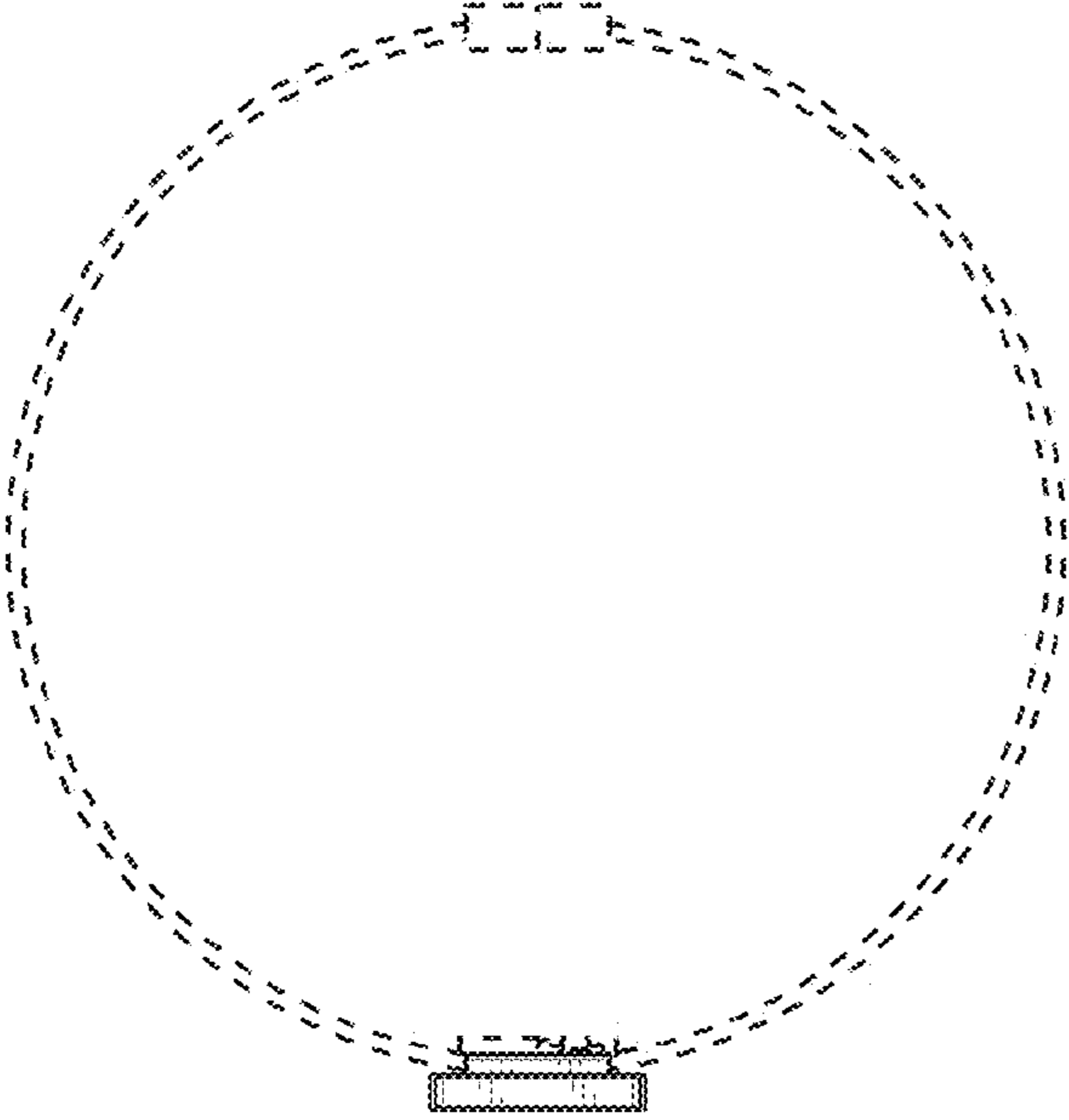


FIG. 5

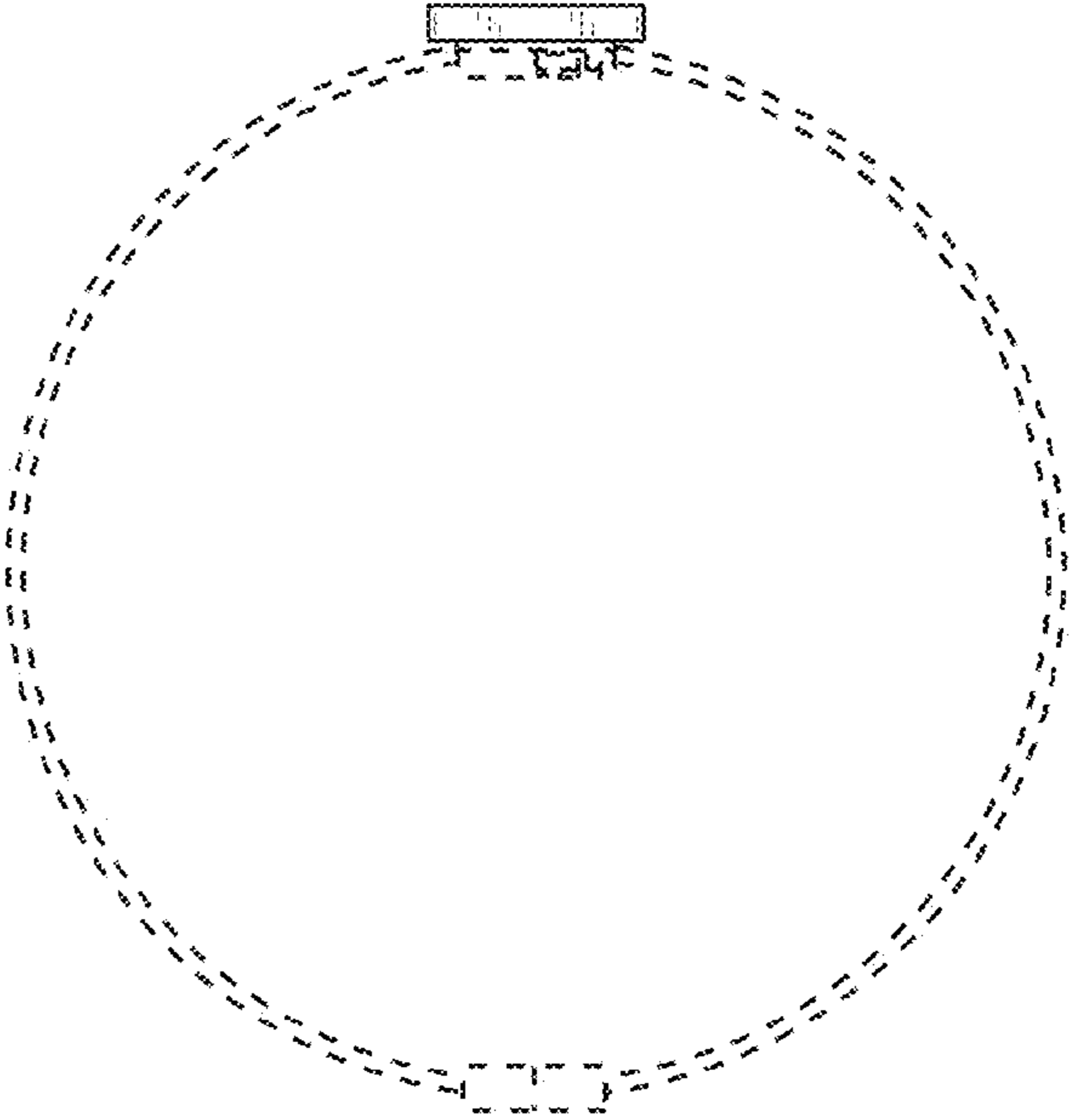


FIG. 6

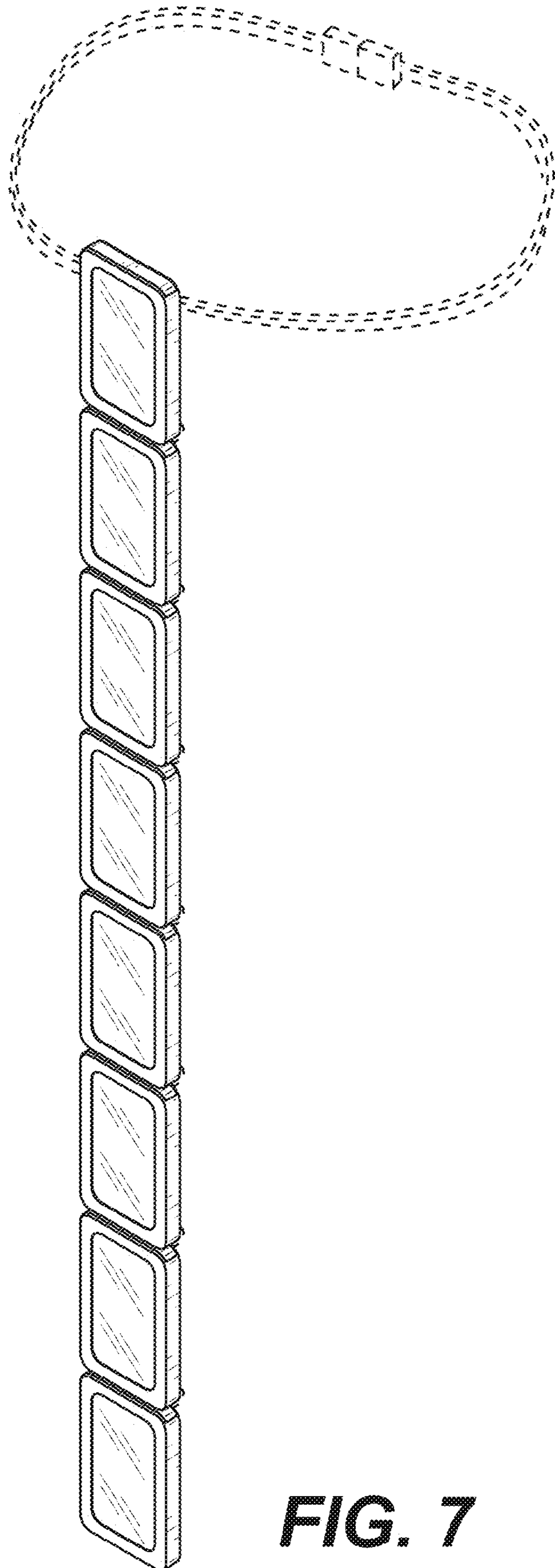


FIG. 7

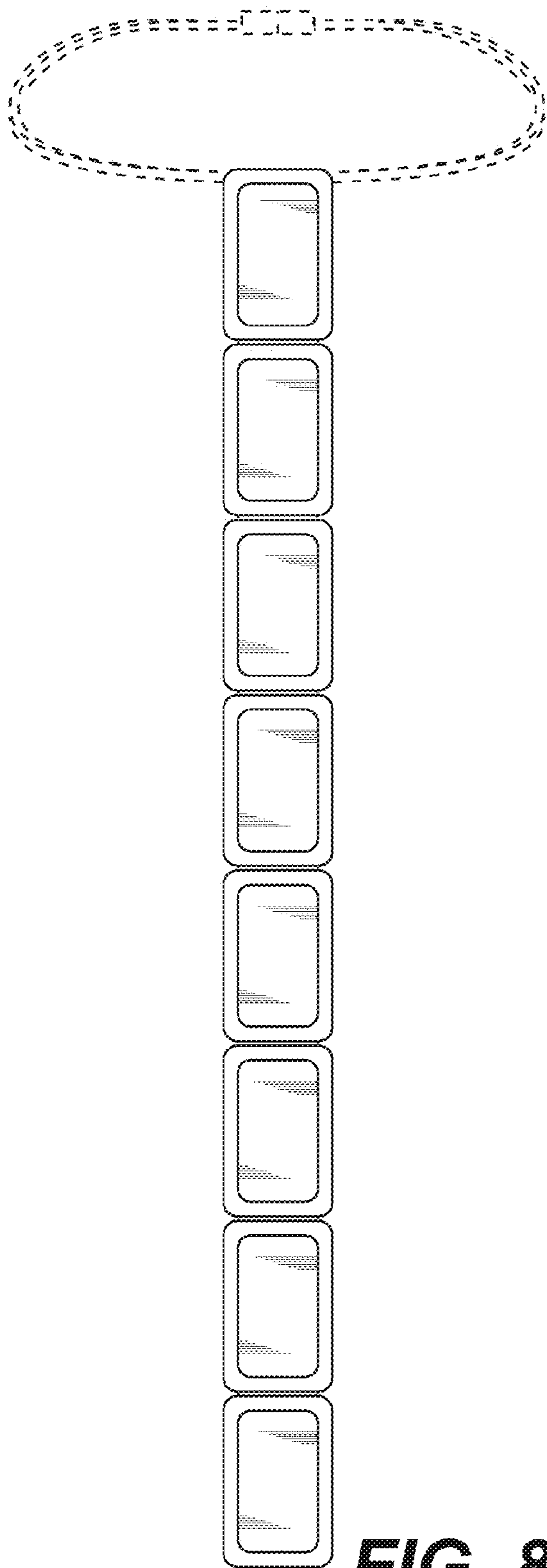


FIG. 8

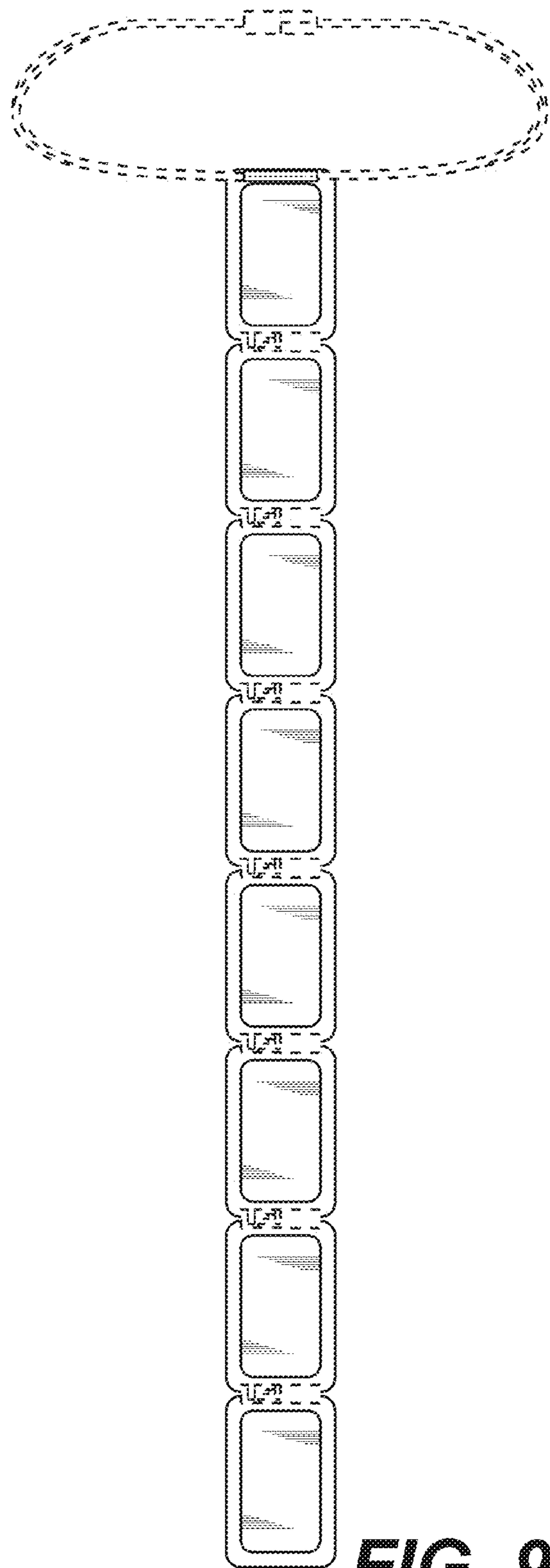


FIG. 9

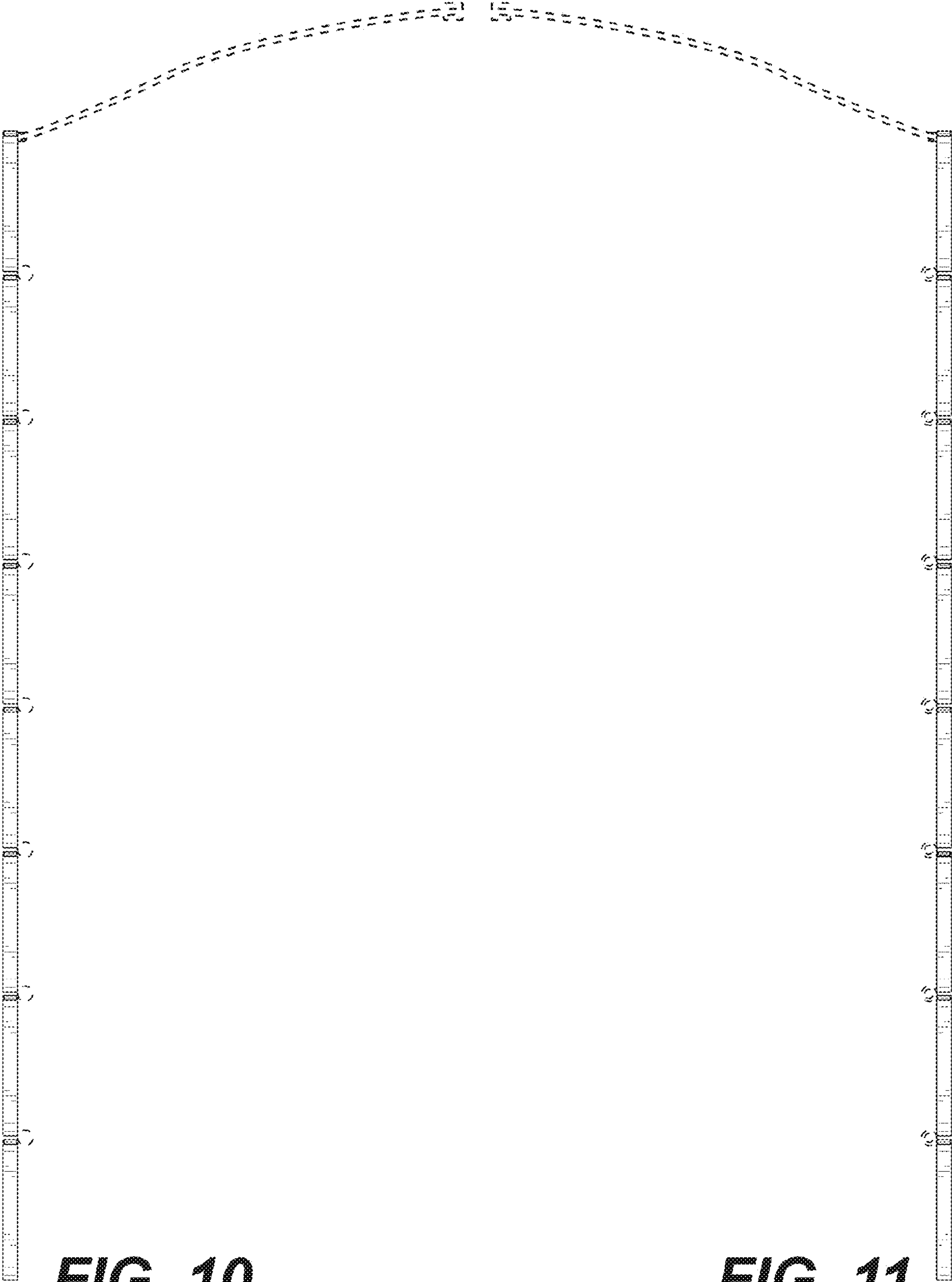


FIG. 10

FIG. 11

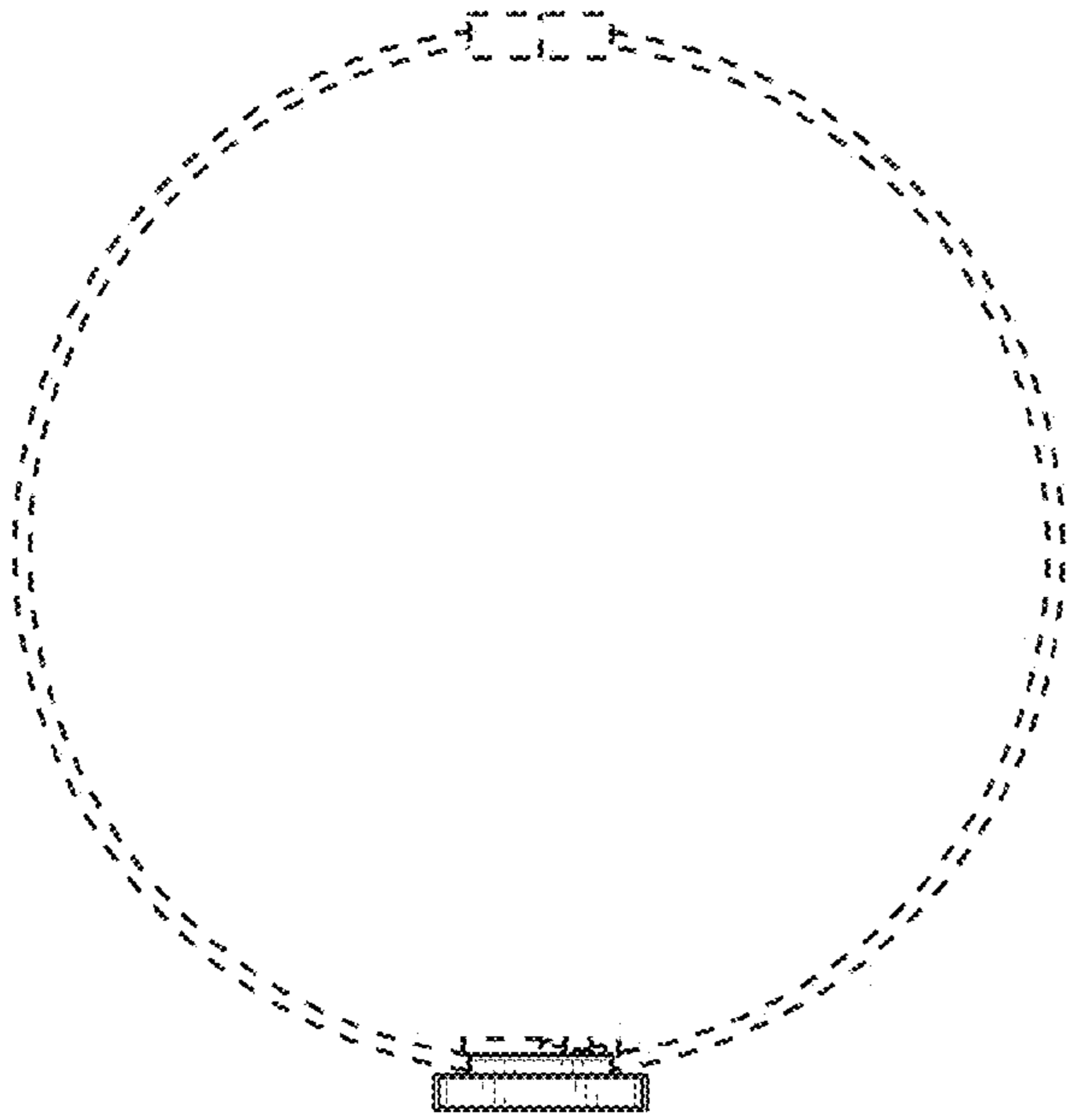


FIG. 12

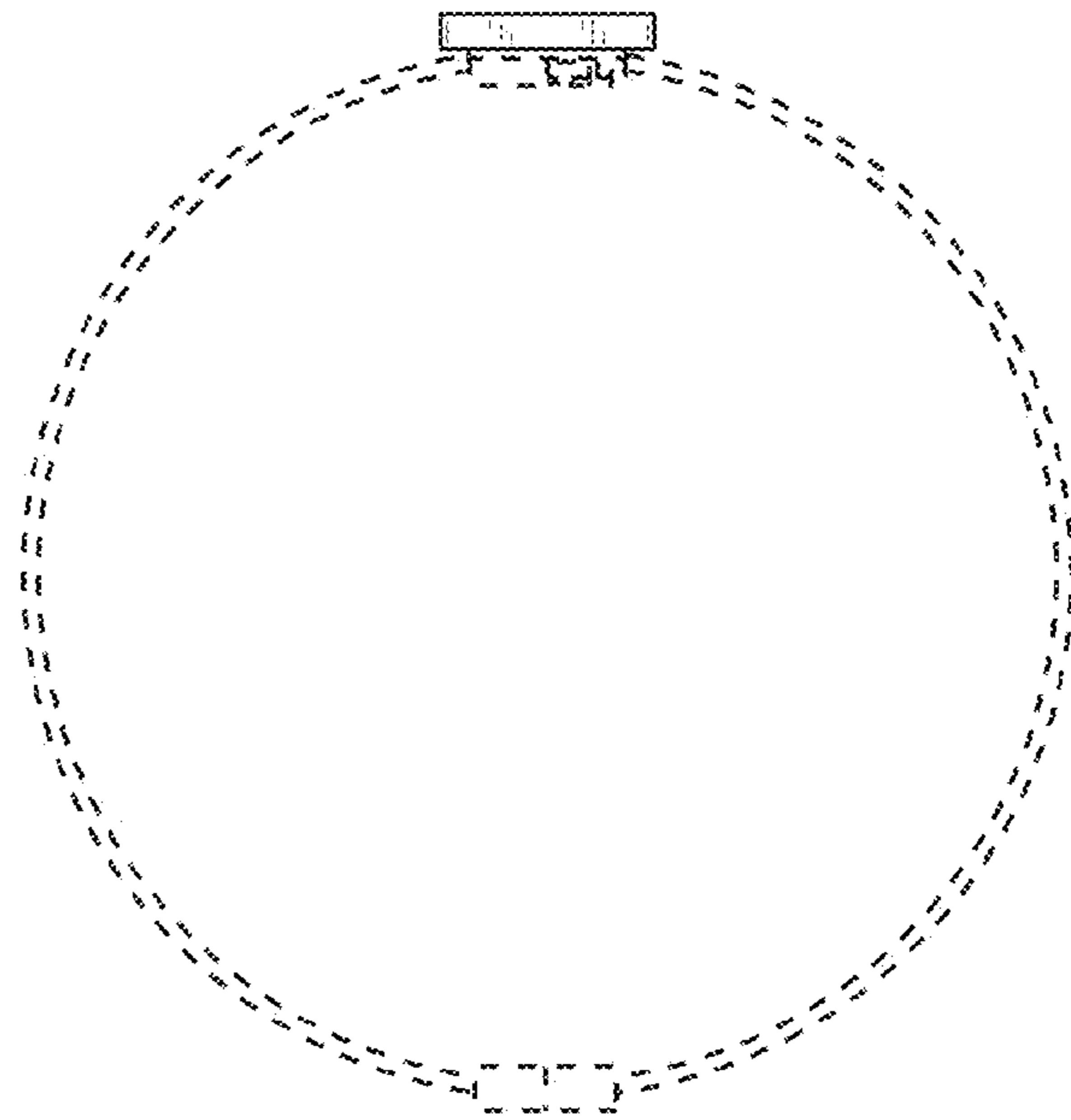


FIG. 13

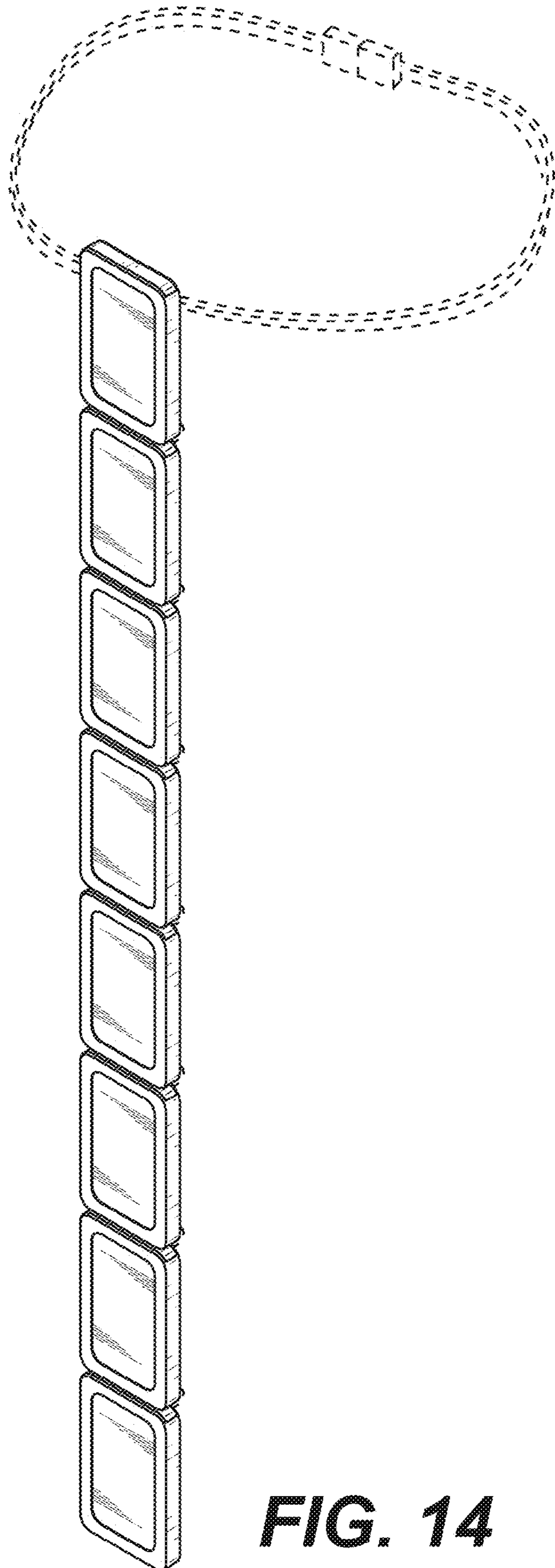


FIG. 14