



US00D881504S

(12) **United States Design Patent**
Baker et al.

(10) **Patent No.:** **US D881,504 S**
(45) **Date of Patent:** **** Apr. 14, 2020**

(54) **GUN SAFE WITH AN AUTO-EXTENDING DRAWER**

DESCRIPTION

(71) Applicants: **Michael Scott Baker**, Las Vegas, NV (US); **Jesus Carballido**, Gumees, IL (US); **Todd Williams**, Henderson, NV (US); **Alan Bradford**, Henderson, NV (US)

(72) Inventors: **Michael Scott Baker**, Las Vegas, NV (US); **Jesus Carballido**, Gumees, IL (US); **Todd Williams**, Henderson, NV (US); **Alan Bradford**, Henderson, NV (US)

(**) Term: **15 Years**

(21) Appl. No.: **29/677,388**

(22) Filed: **Jan. 18, 2019**

(51) **LOC (12) Cl.** **99-00**

(52) **U.S. Cl.**
USPC **D99/28**

(58) **Field of Classification Search**
USPC D99/28, 34, 35, 36, 43; 109/1 R, 1 V, 2, 109/45; 902/9, 30; 235/100; 206/317, 206/527, 235; 312/400, 409

(Continued)

(56) **References Cited**

U.S. PATENT DOCUMENTS

D268,063 S * 2/1983 Chase D99/28
D284,323 S * 6/1986 Whatley D99/28
(Continued)

Primary Examiner — Elizabeth J Oswecki

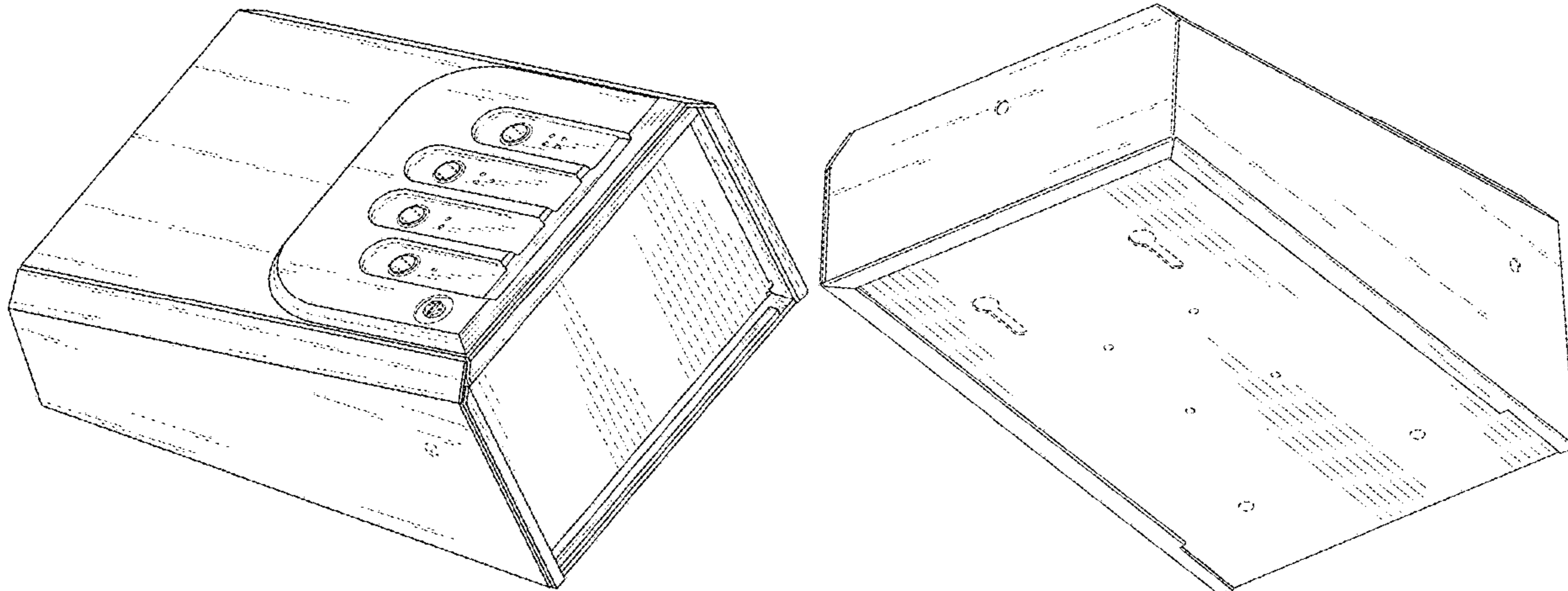
(74) *Attorney, Agent, or Firm* — QuickPatents, LLC;
Kevin Prince

(57) **CLAIM**

The ornamental design for a gun safe with an auto-extending drawer, as shown and described.

FIG. 1 is a top perspective view of a first embodiment of a gun safe with an auto extending drawer, showing our new design in a closed configuration;
FIG. 2 is a bottom perspective view of FIG. 1;
FIG. 3 is a left-side elevational view of FIG. 1, the right-side elevational view being a mirror image thereof;
FIG. 4 is a front elevational view of FIG. 1;
FIG. 5 is a rear elevational view of FIG. 1;
FIG. 6 is a top plan view of FIG. 1;
FIG. 7 is a bottom plan view of FIG. 1;
FIG. 8 is a top perspective view of FIG. 1, shown in an open configuration;
FIG. 9 is a front elevational view of FIG. 8;
FIG. 10 is a left-side elevational view of FIG. 8, the right-side elevational view being a mirror image thereof;
FIG. 11 is a top plan view of FIG. 8;
FIG. 12 is a bottom perspective view of FIG. 8;
FIG. 13 is a top perspective view of a second embodiment of a gun safe with an auto extending drawer, showing our new design in a closed configuration;
FIG. 14 is a bottom perspective view of FIG. 13;
FIG. 15 is a left-side elevational view of FIG. 13, the right-side elevational view being a mirror image thereof;
FIG. 16 is a front elevational view of FIG. 13;
FIG. 17 is a rear elevational view of FIG. 13;
FIG. 18 is a top plan view of FIG. 13;
FIG. 19 is a bottom plan view of FIG. 13;
FIG. 20 is a top perspective view of FIG. 13, shown in an open configuration;
FIG. 21 is a front elevational view of FIG. 20;
FIG. 22 is a left-side elevational view of FIG. 20, the right-side elevational view being a mirror image thereof;
FIG. 23 is a top plan view of FIG. 20; and,
FIG. 24 is a front perspective view of FIG. 20.
The broken lines in the drawings illustrate environmental matter that forms no part of the claimed design.

1 Claim, 23 Drawing Sheets



(58) **Field of Classification Search**

CPC E05B 65/0075; F42B 39/00; F42B 39/002;
 F42B 39/14; F42B 39/18; F42B 39/24;
 F42B 39/22; F42B 39/20; F42B 39/26;
 E05G 1/00; E05G 1/005; E05G 1/024;
 E05G 5/00; E05G 5/02; E05G 2700/00;
 E05G 2700/02; E05G 2700/04; E07D
 11/0006; G07D 11/0009; G07D 11/009;
 G07D 9/002; G07D 9/004; G07D 9/008;
 G07F 9/06; G07F 9/003; G07F 17/10;
 G07F 17/105

See application file for complete search history.

(56) **References Cited**

U.S. PATENT DOCUMENTS

D285,858 S * 9/1986 Ooki D99/28
 D302,491 S * 8/1989 Brush, Jr. D3/294
 D310,304 S * 9/1990 Carmichael D12/423
 D461,617 S * 8/2002 Gardner D99/28
 D570,074 S * 5/2008 Osiecki D99/28

D571,524 S * 6/2008 Kang D99/28
 D617,525 S * 6/2010 Taylor D99/28
 D624,275 S * 9/2010 Min D99/28
 D635,324 S * 3/2011 Plato D99/28
 D651,785 S * 1/2012 Martin D99/28
 D667,195 S * 9/2012 Guo D99/28
 D671,705 S * 11/2012 Edmondson D99/28
 D709,665 S * 7/2014 Martin D99/28
 D714,015 S * 9/2014 Hyde D99/28
 D730,015 S * 5/2015 Osiecki D99/28
 D731,739 S * 6/2015 Hine D99/28
 D732,264 S * 6/2015 Hine D99/28
 D732,265 S * 6/2015 Osiecki D99/28
 D772,522 S * 11/2016 Henderson D99/28
 D803,508 S * 11/2017 Horn D99/28
 D808,109 S * 1/2018 Smith D99/28
 D843,679 S * 3/2019 Hill D99/28
 D860,579 S * 9/2019 McCabe D99/28
 2005/0194872 A1 * 9/2005 Cleveland A47B 81/005
 312/290
 2008/0229983 A1 * 9/2008 Pendleton A47B 81/005
 109/45

* cited by examiner

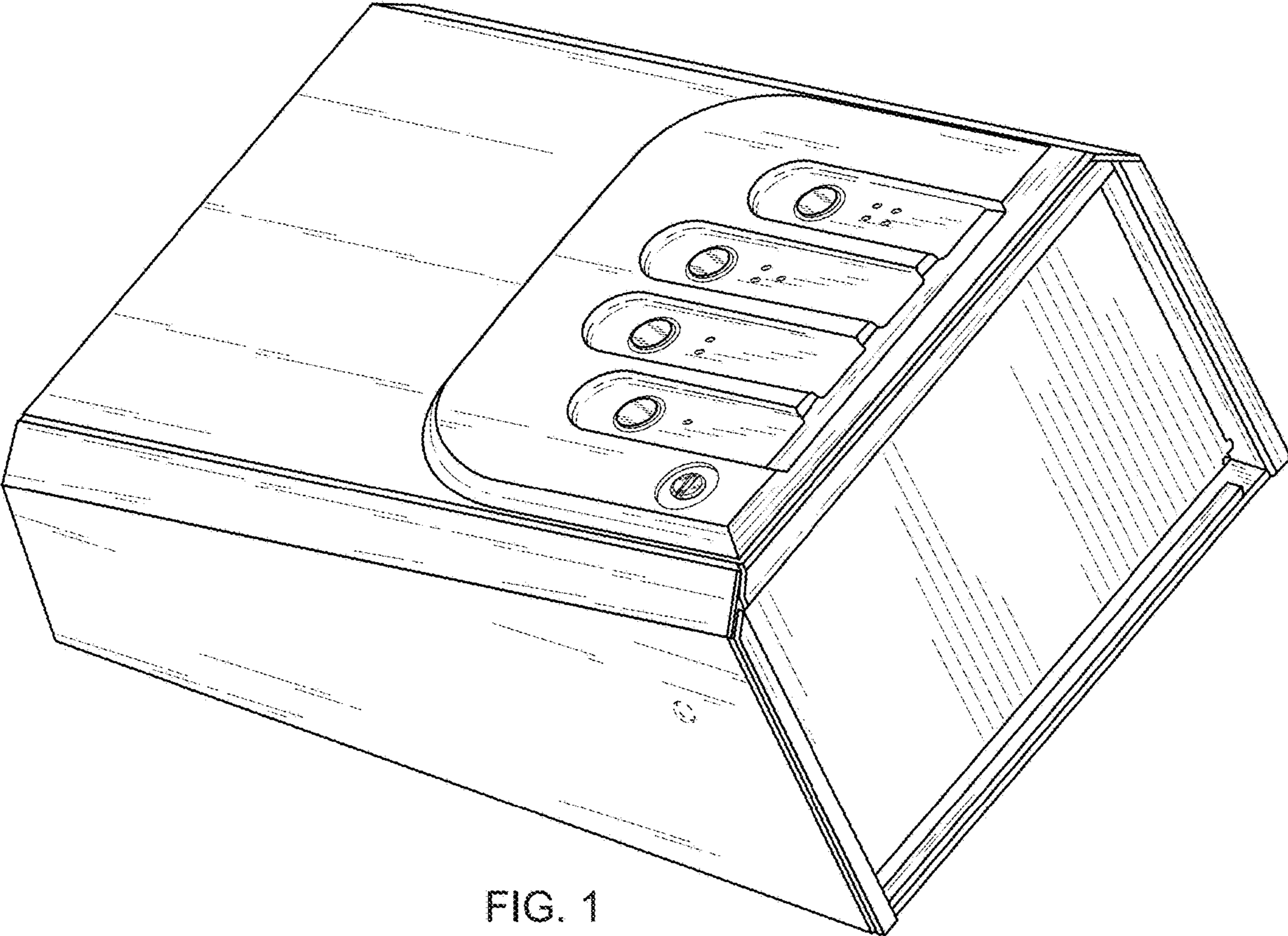
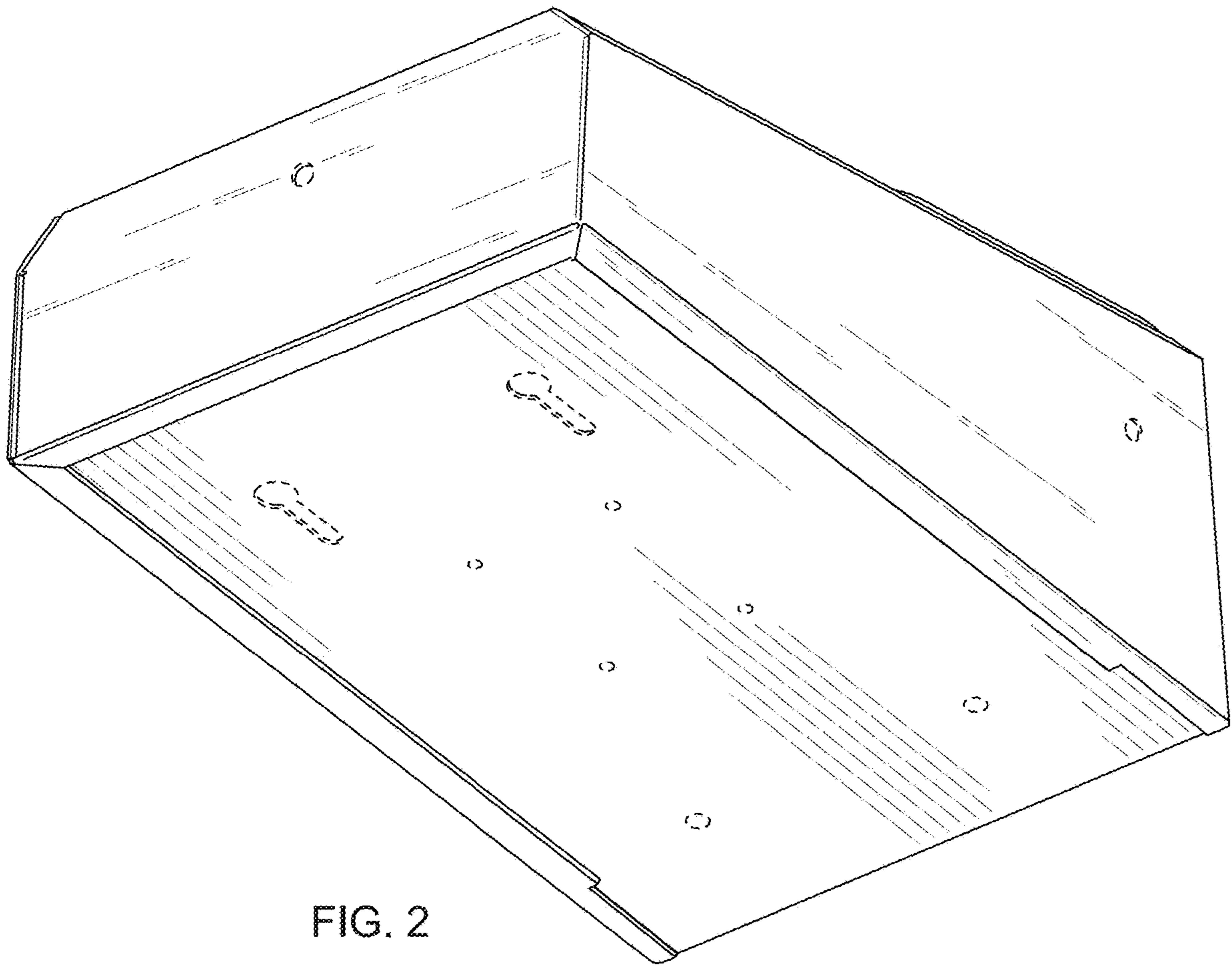


FIG. 1



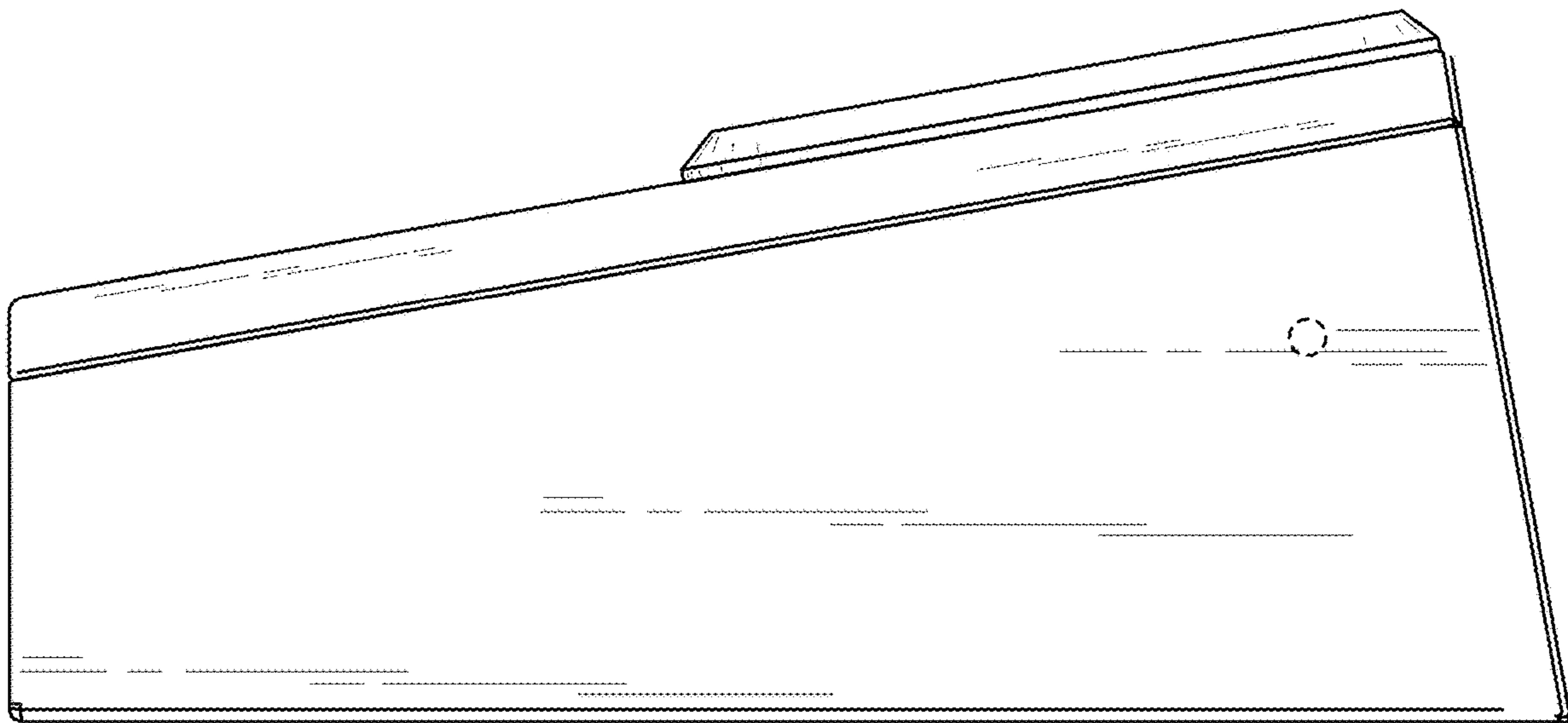


FIG. 3

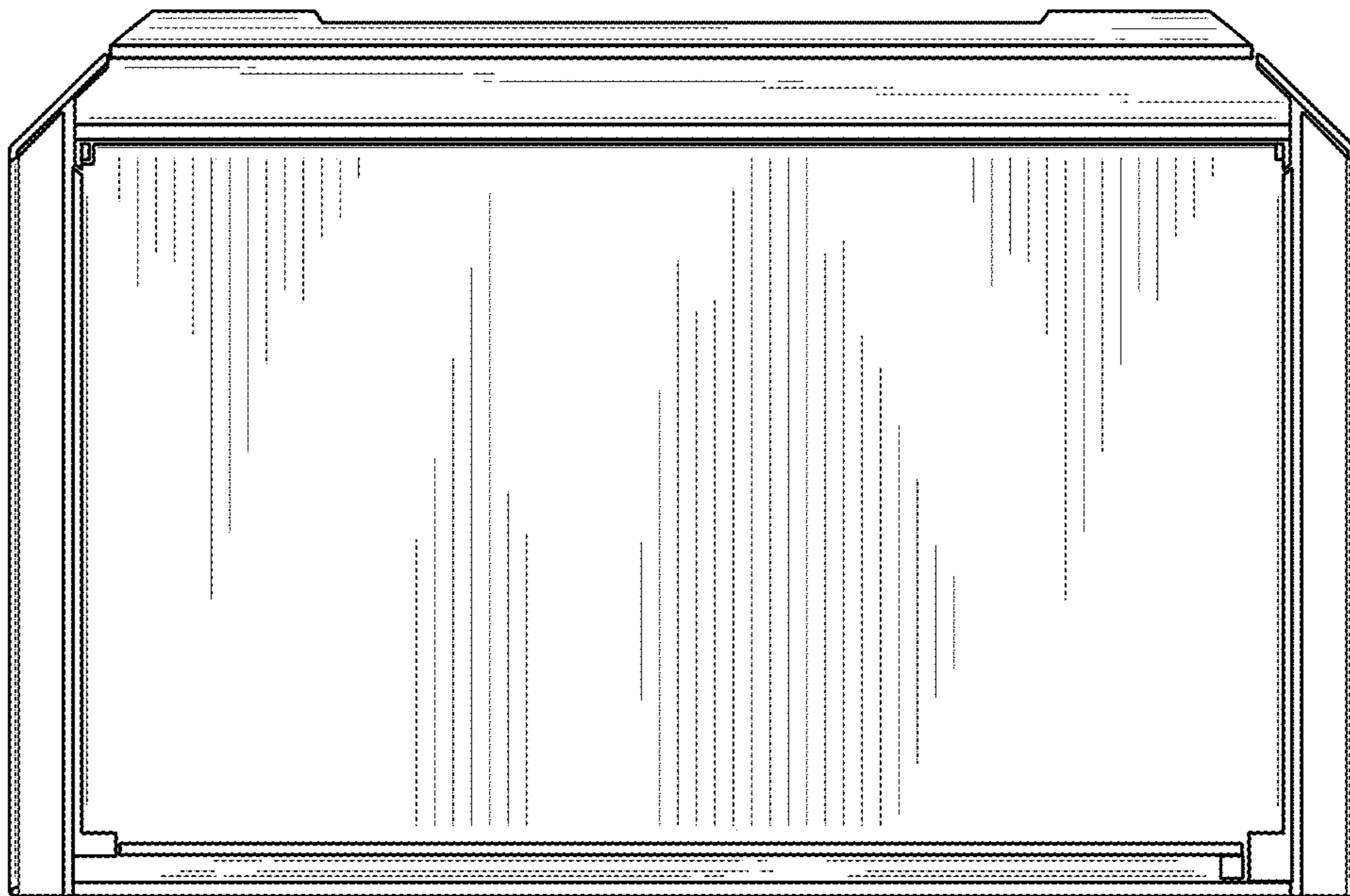


FIG. 4

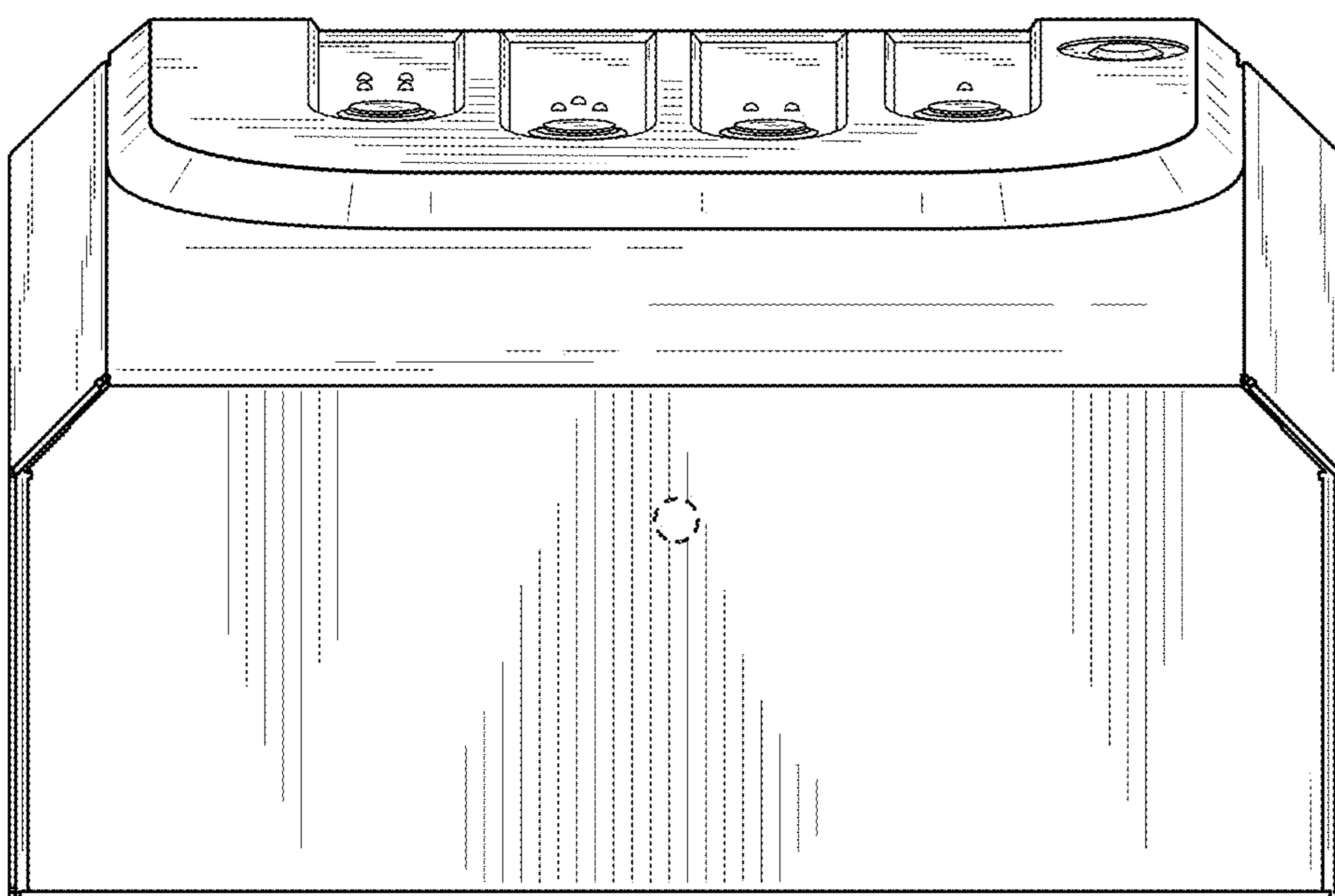


FIG. 5

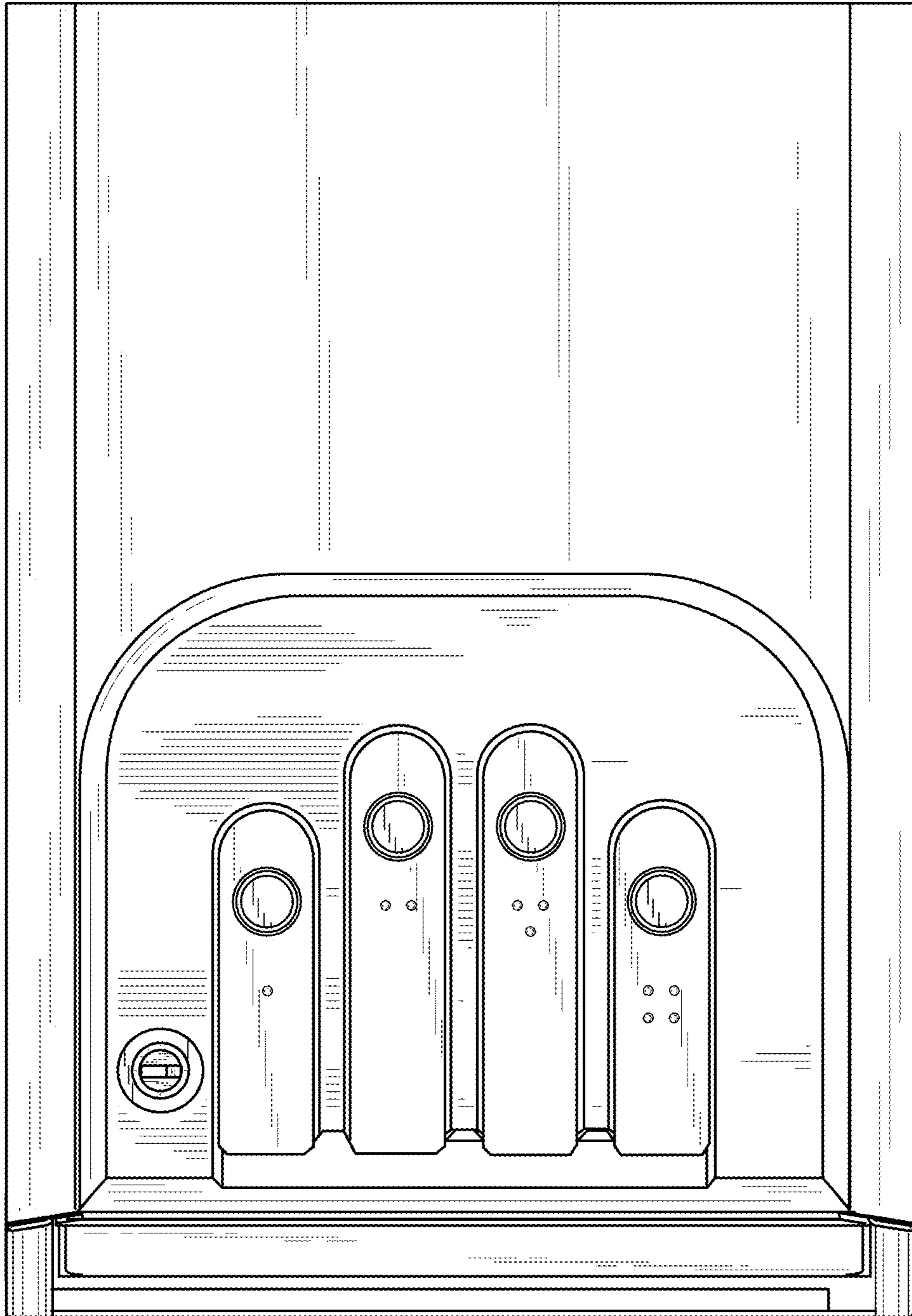


FIG. 6

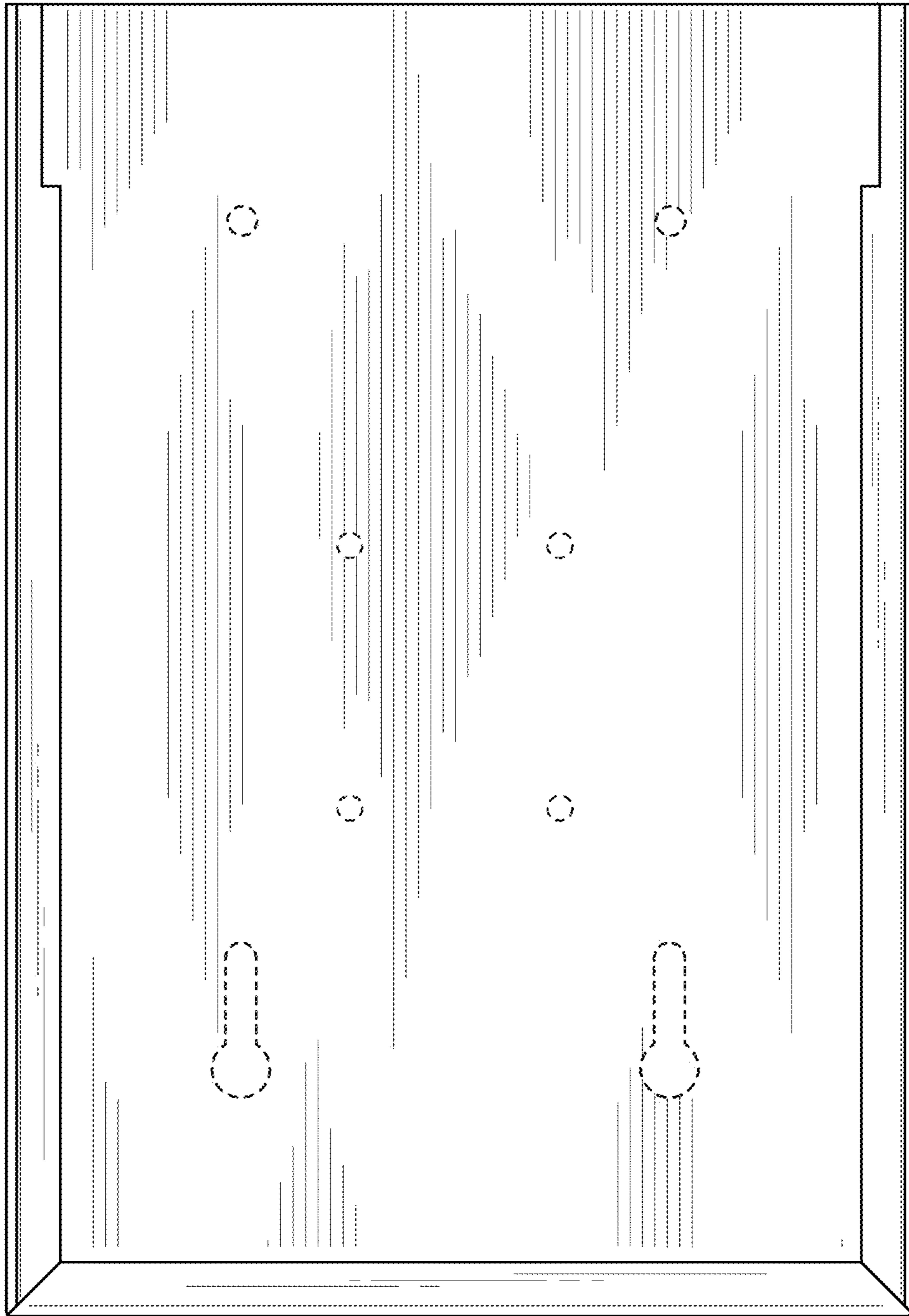


FIG. 7

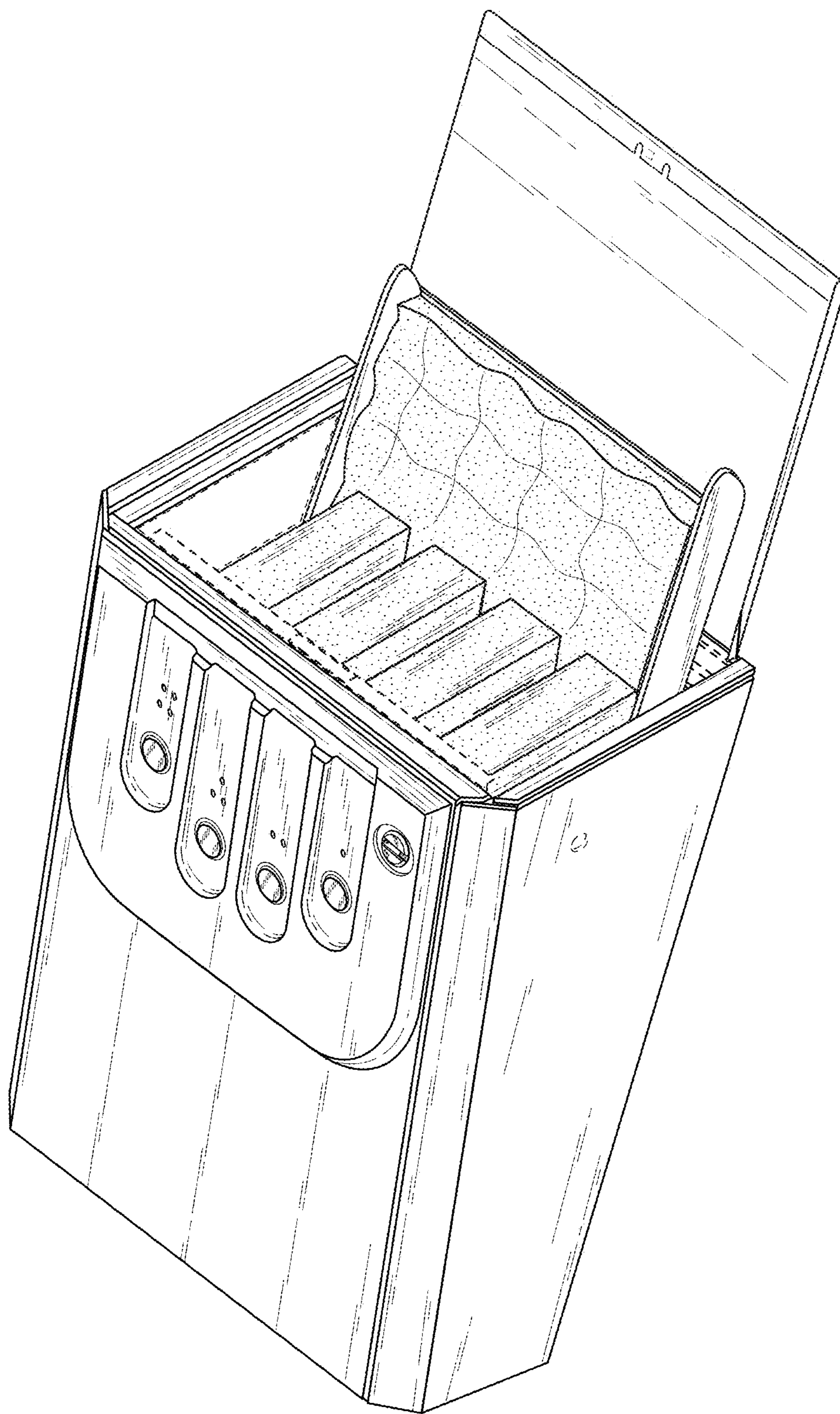


FIG. 8

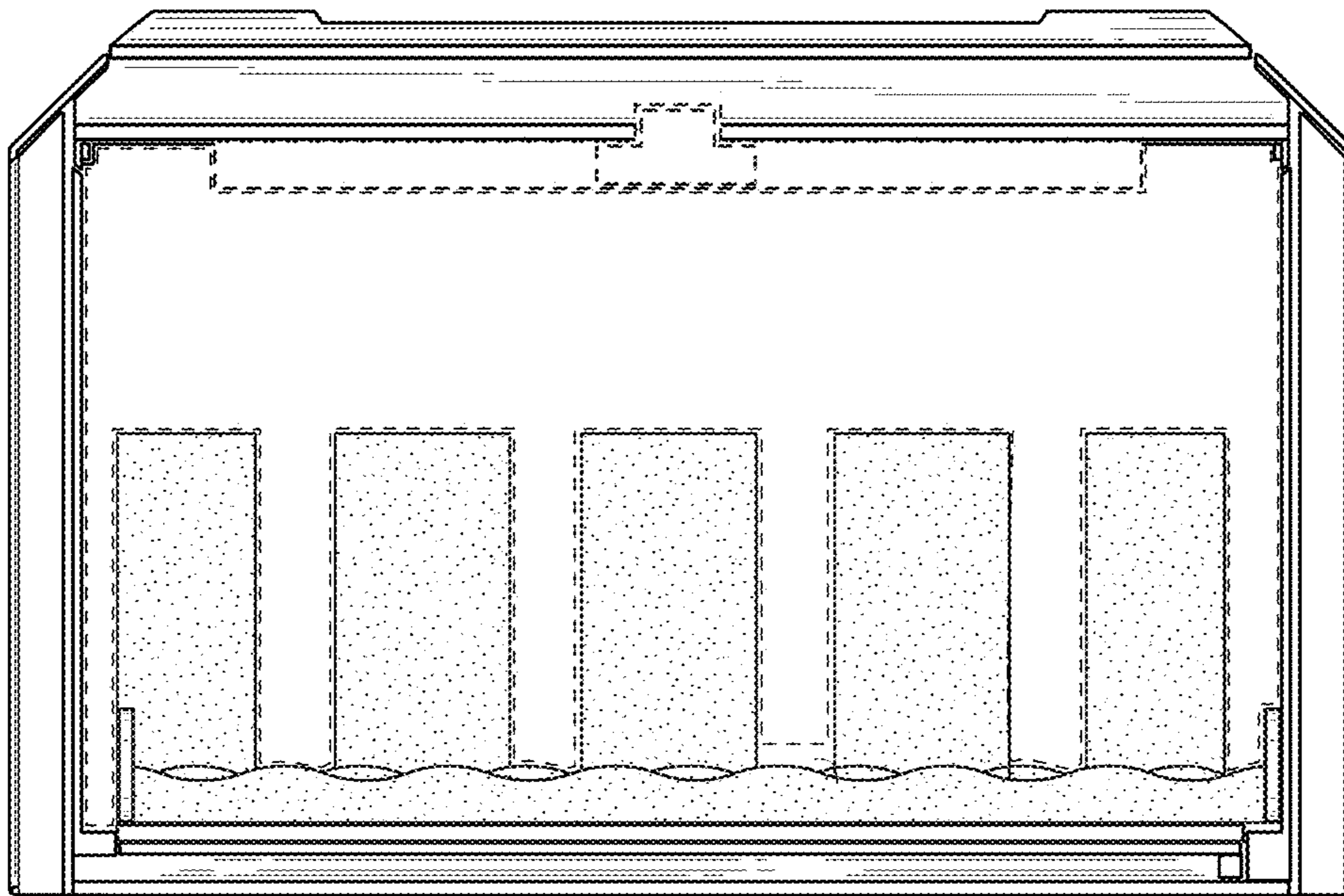


FIG. 9

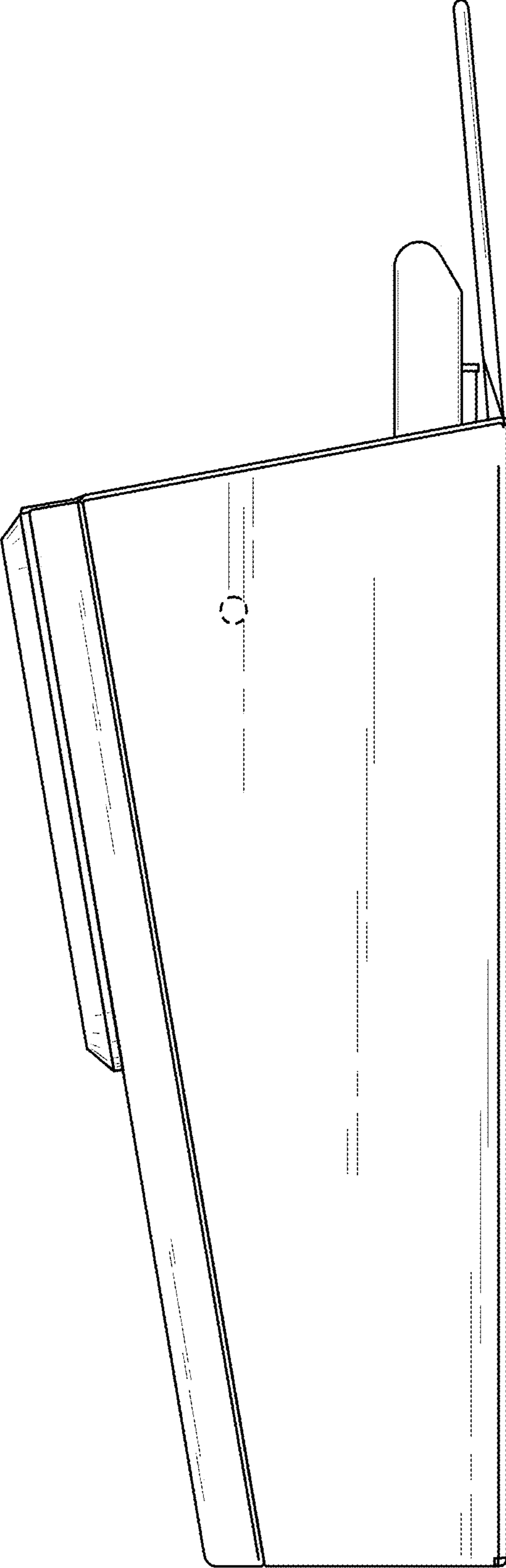


FIG. 10

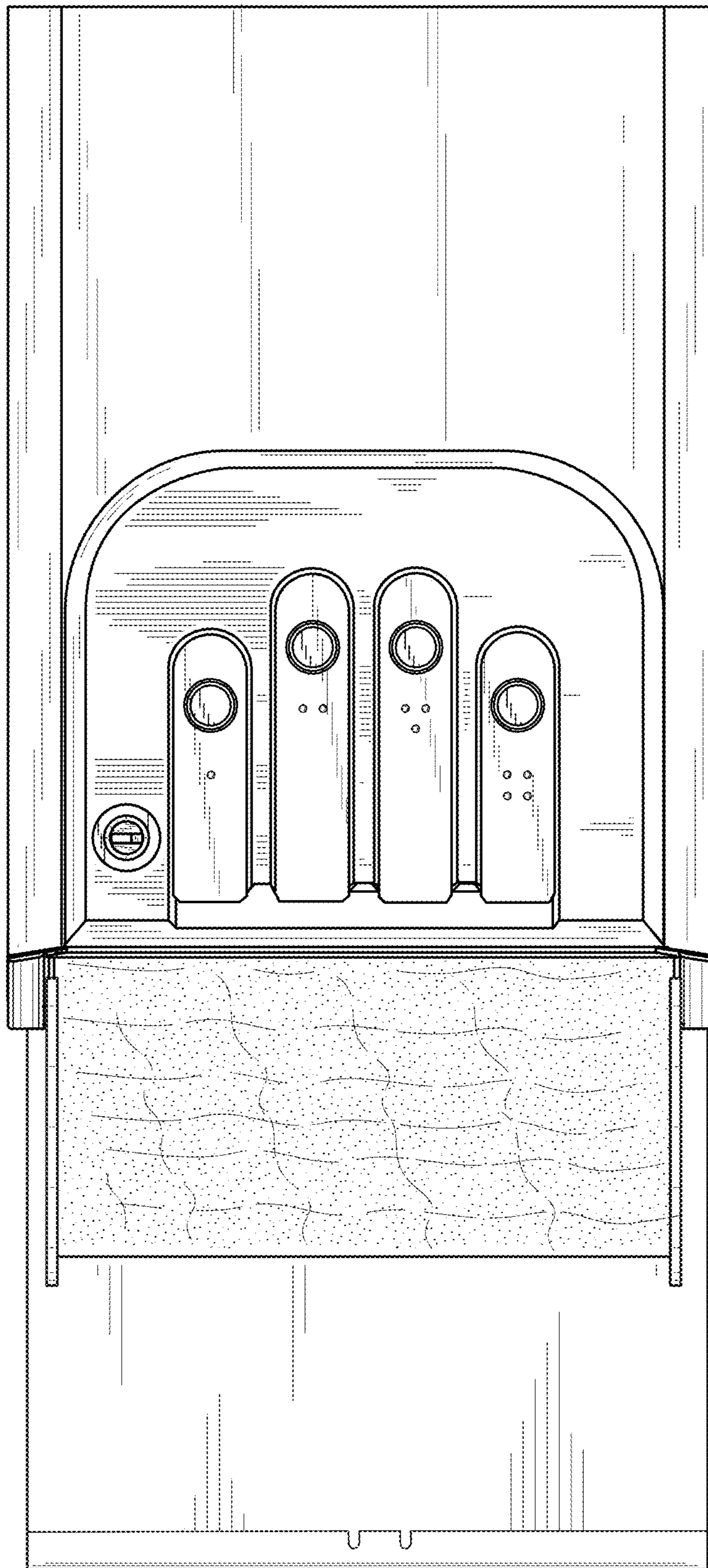


FIG. 11

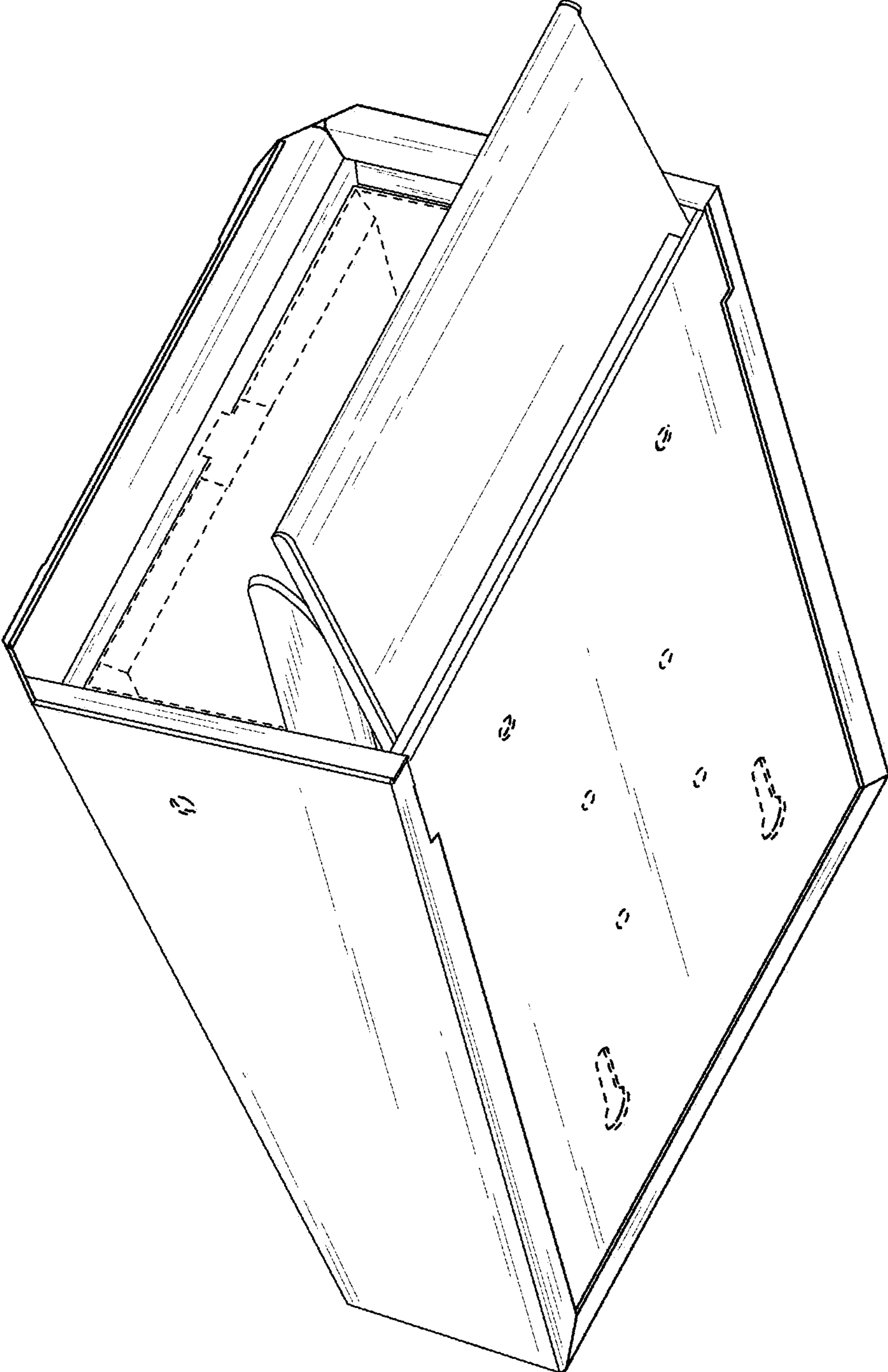


FIG. 12

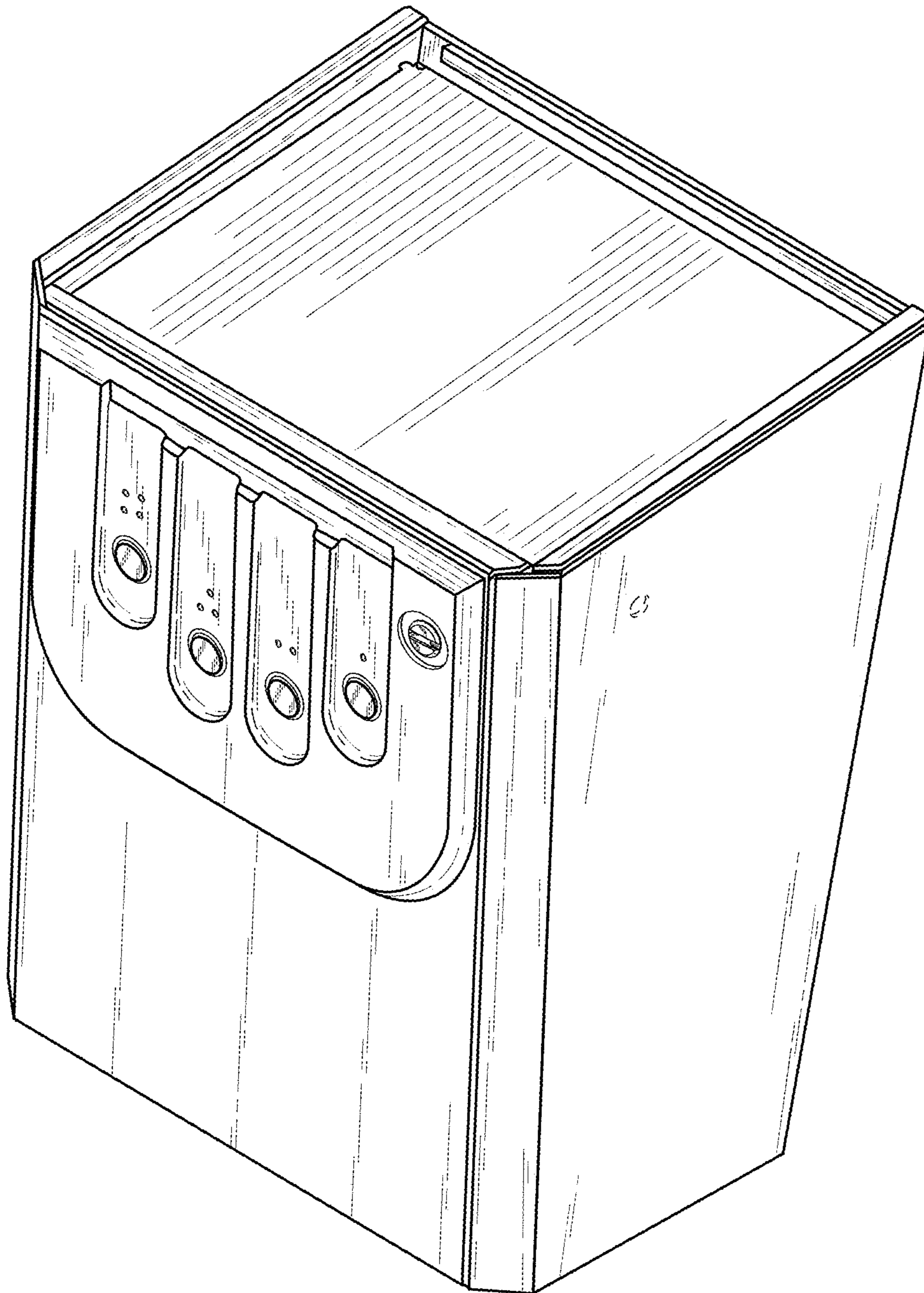


FIG. 13

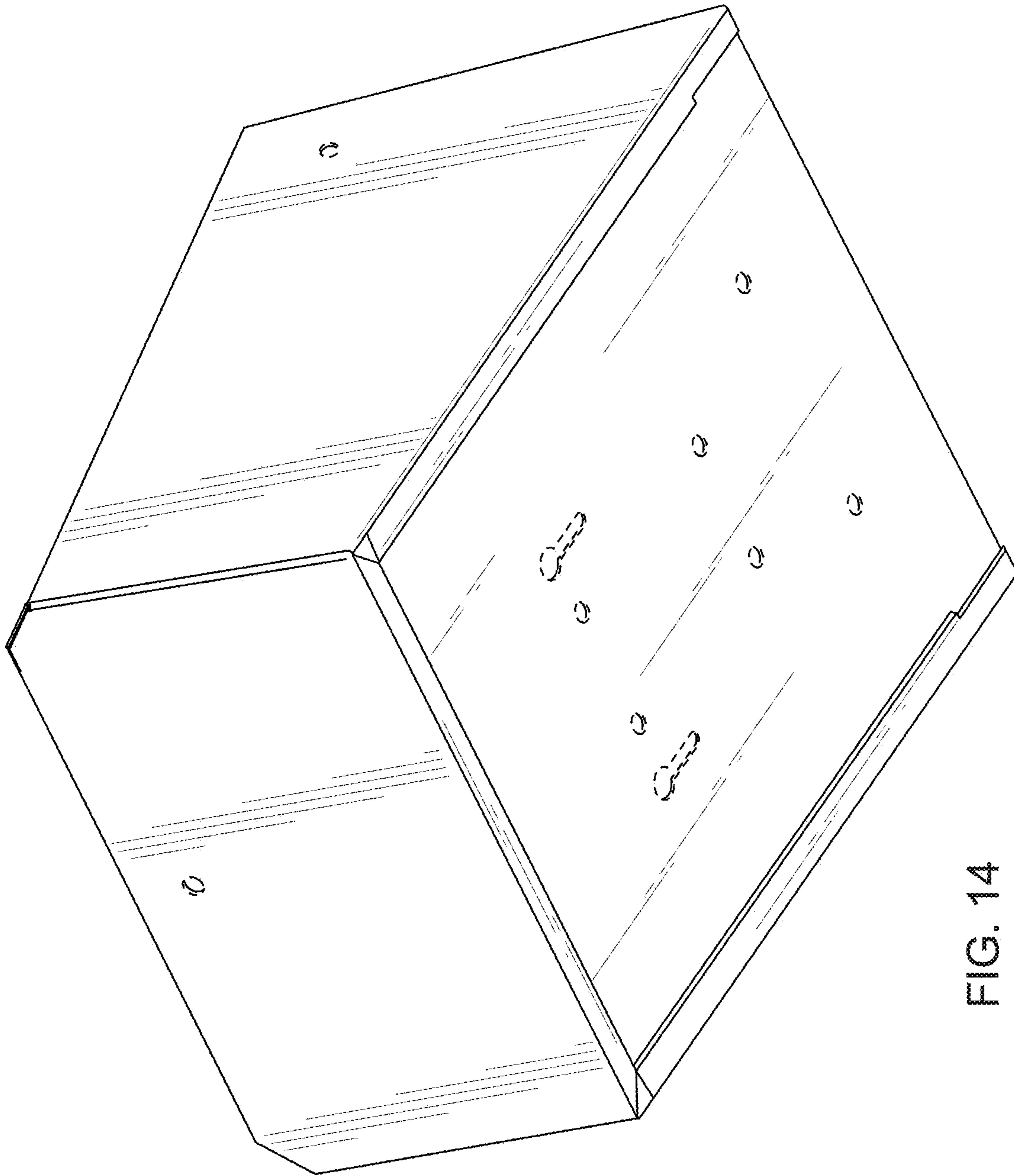


FIG. 14

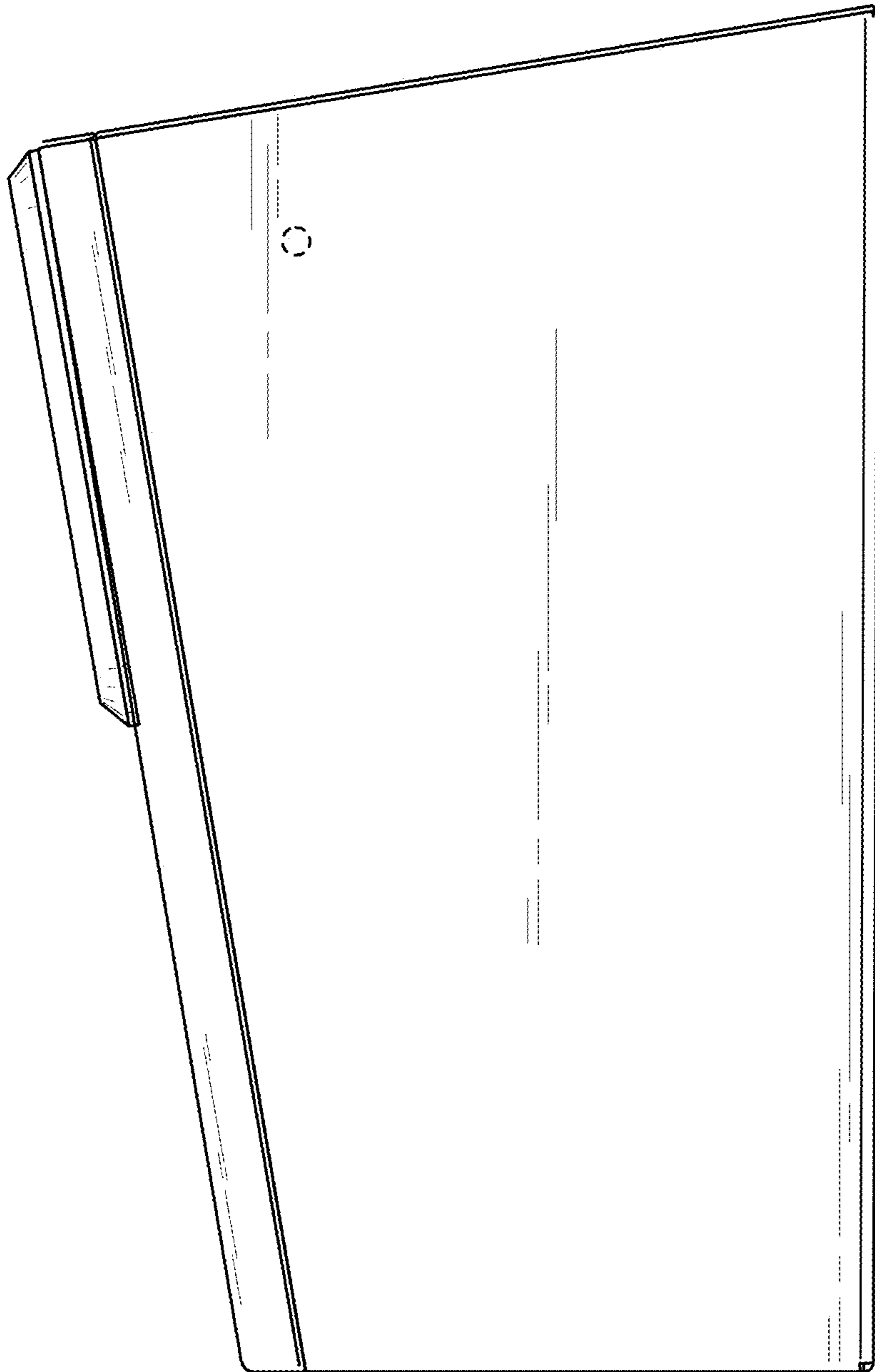


FIG. 15

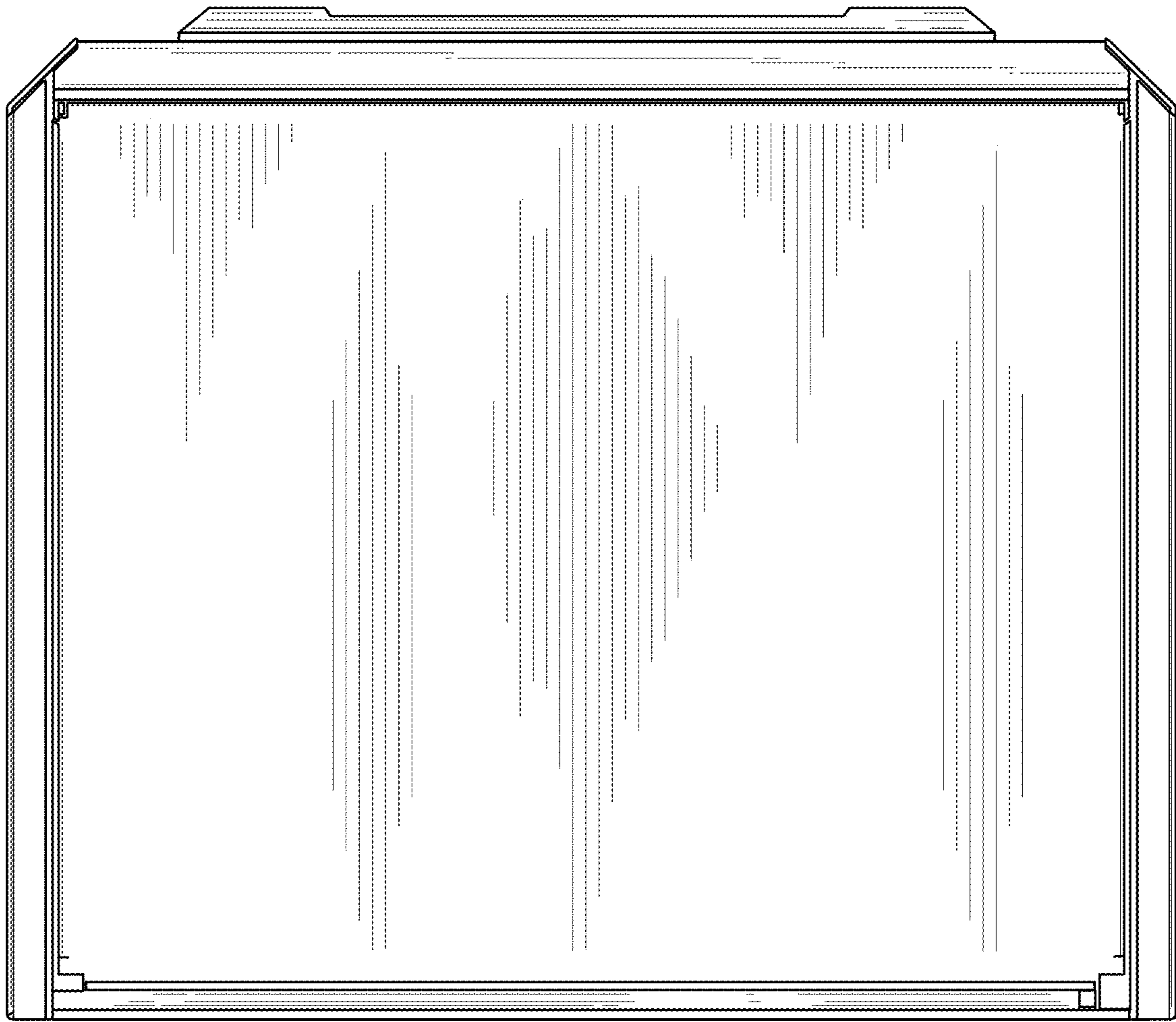


FIG. 16

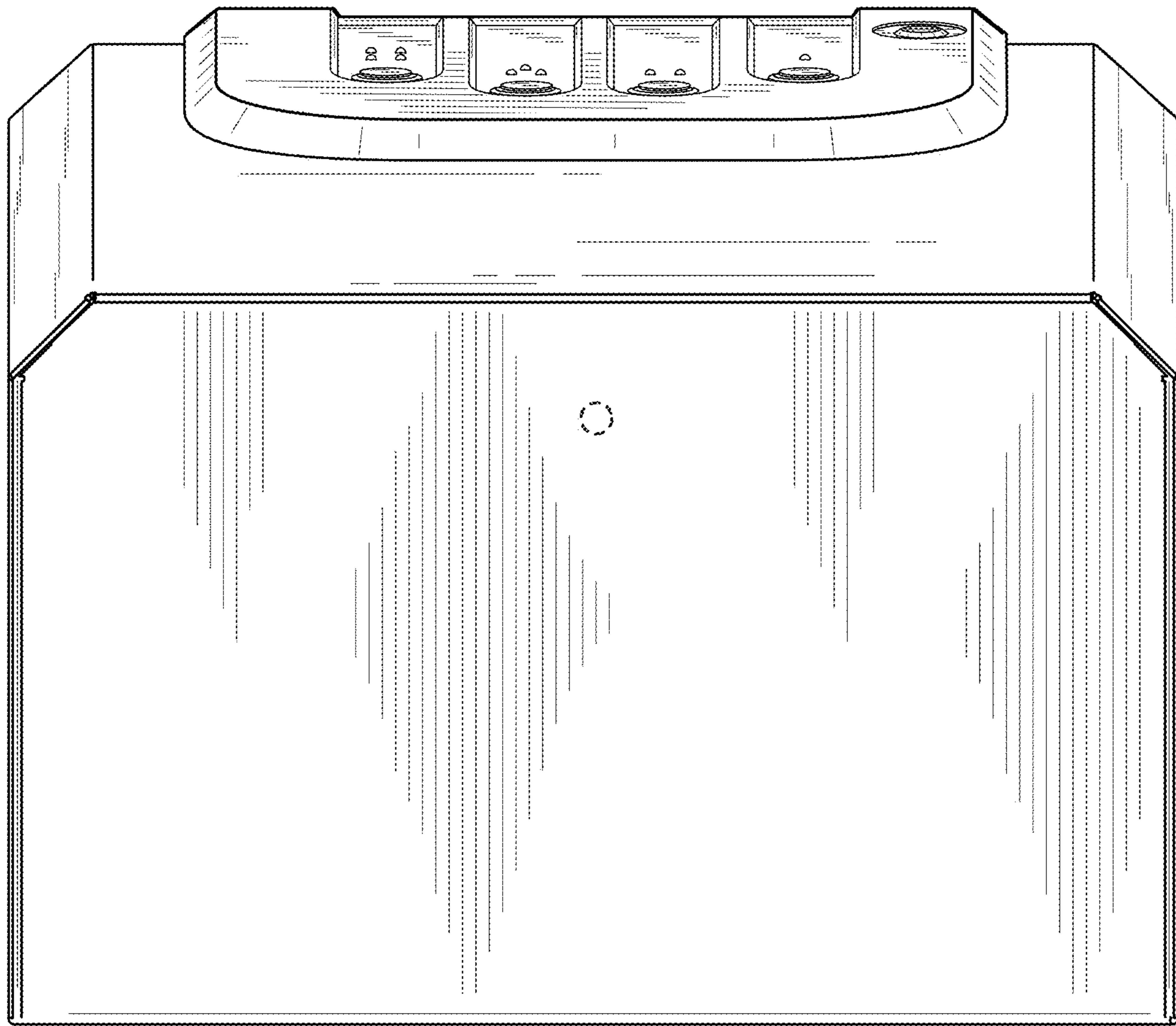


FIG. 17

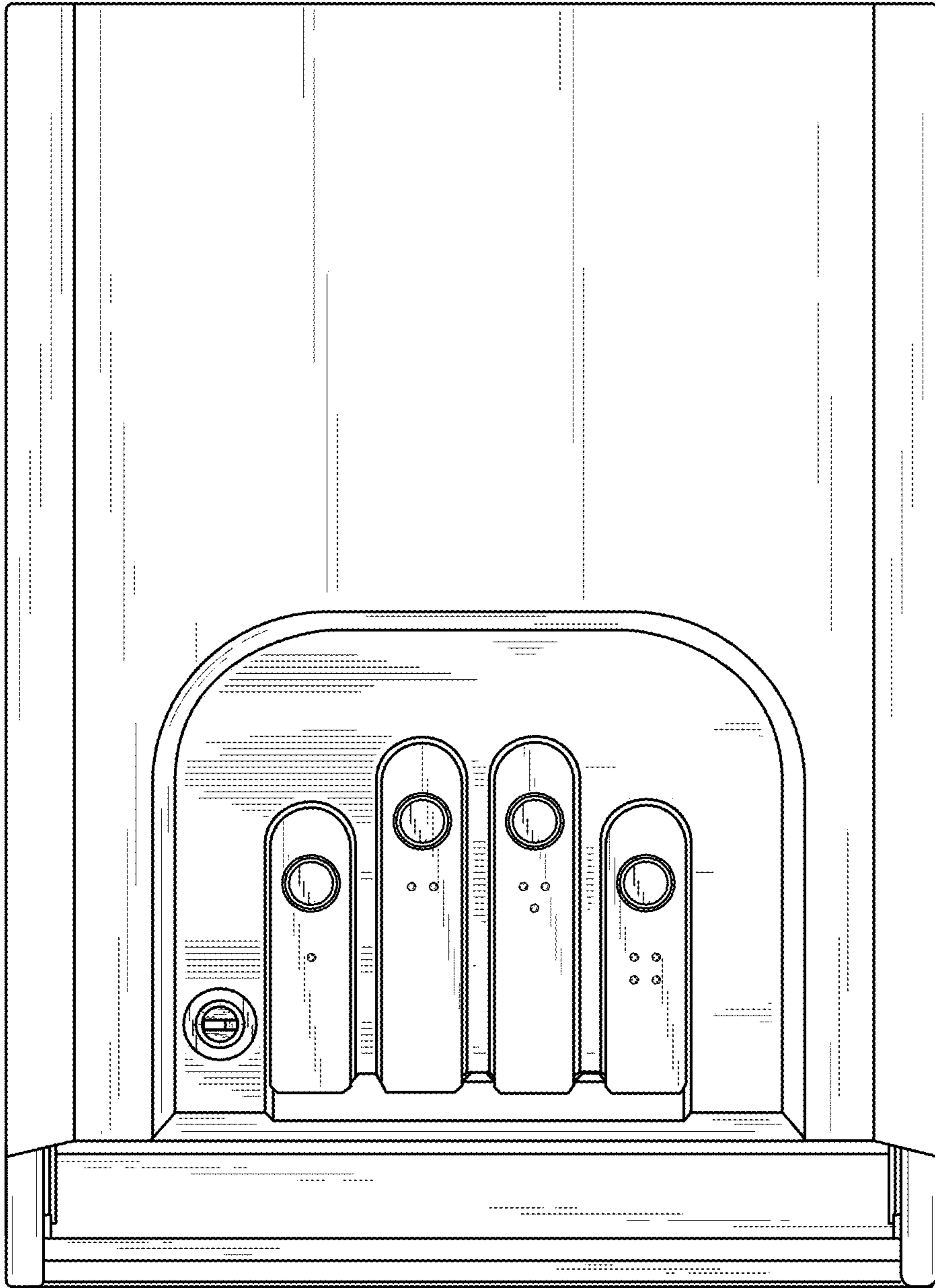


FIG. 18

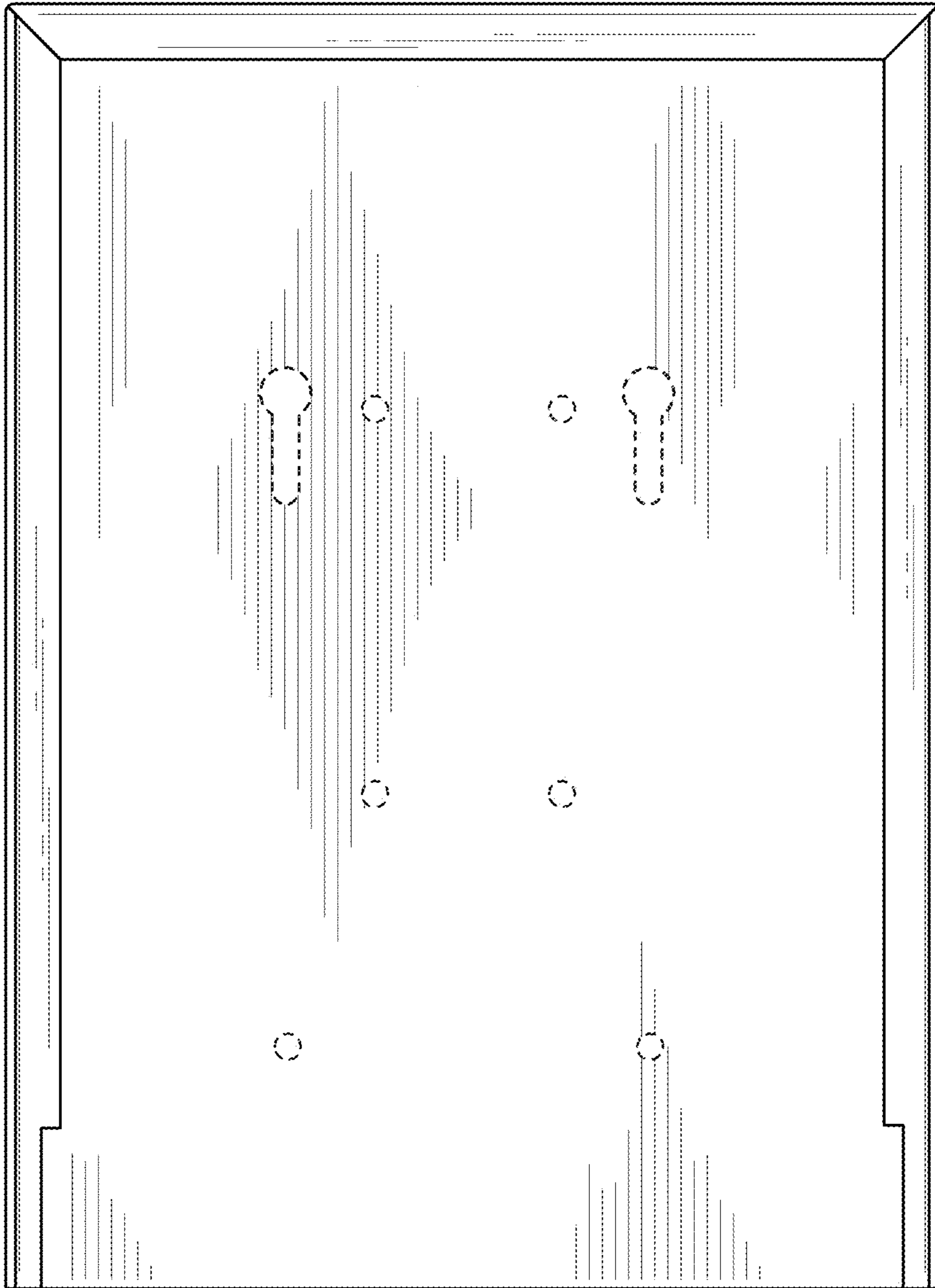


FIG. 19

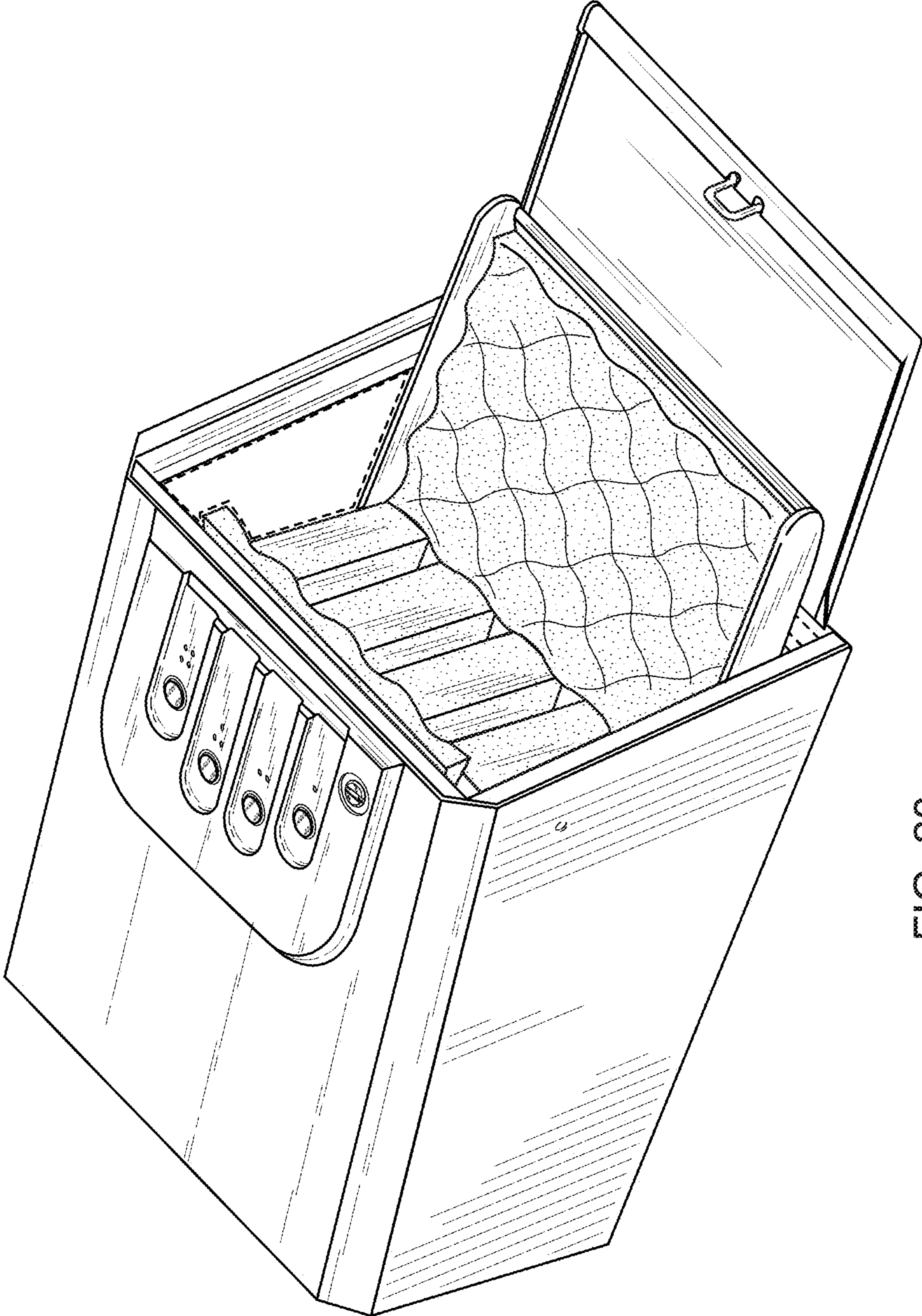


FIG. 20

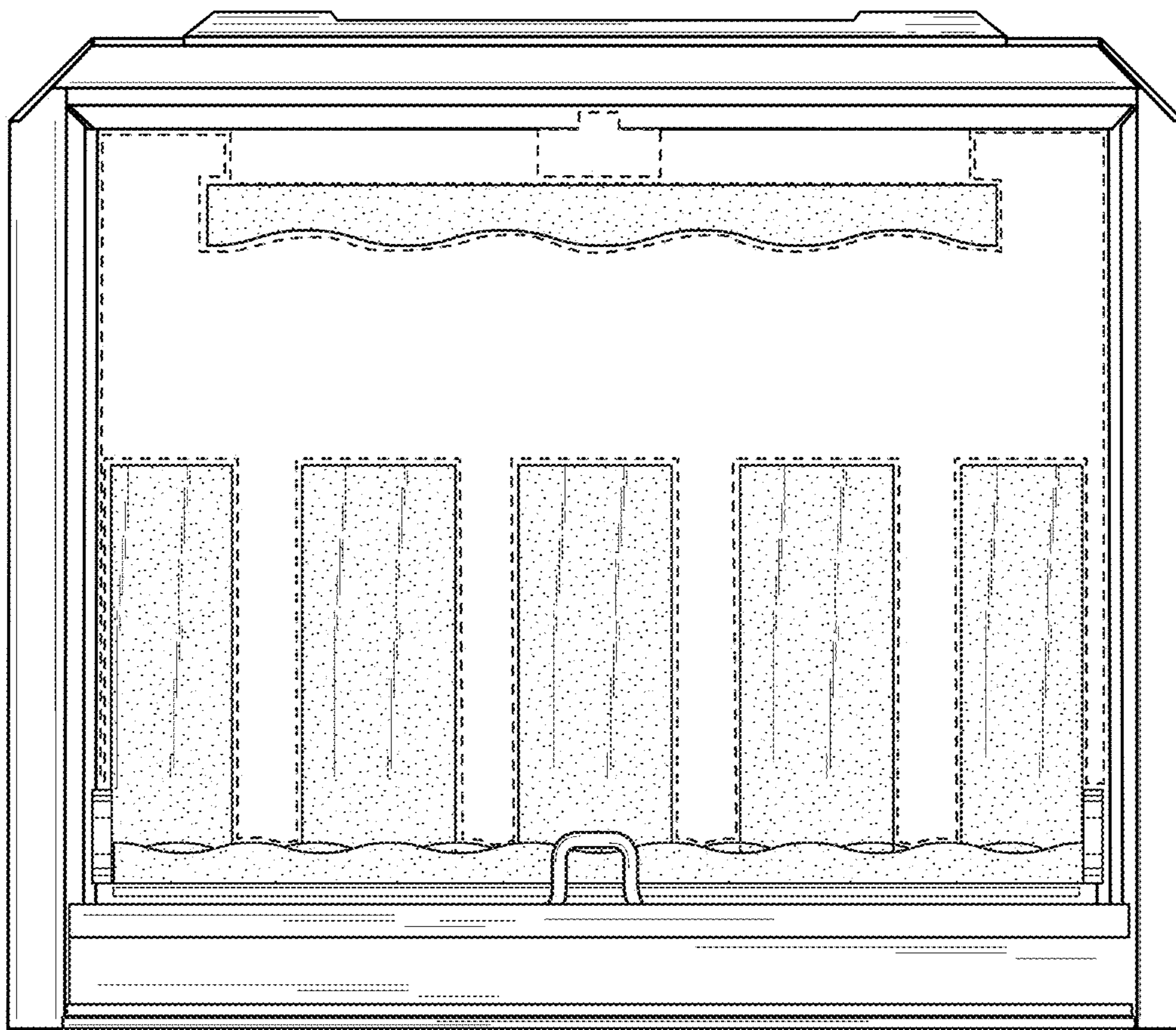


FIG. 21

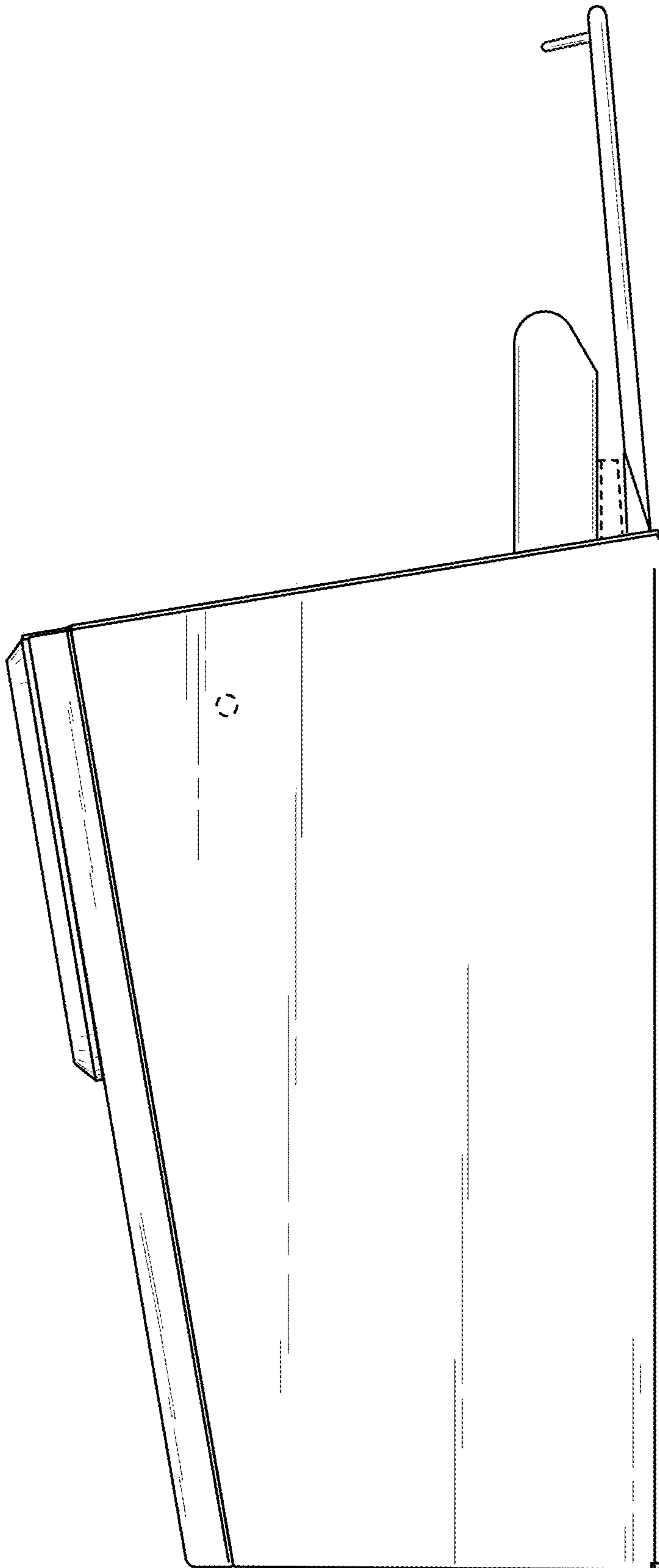


FIG. 22

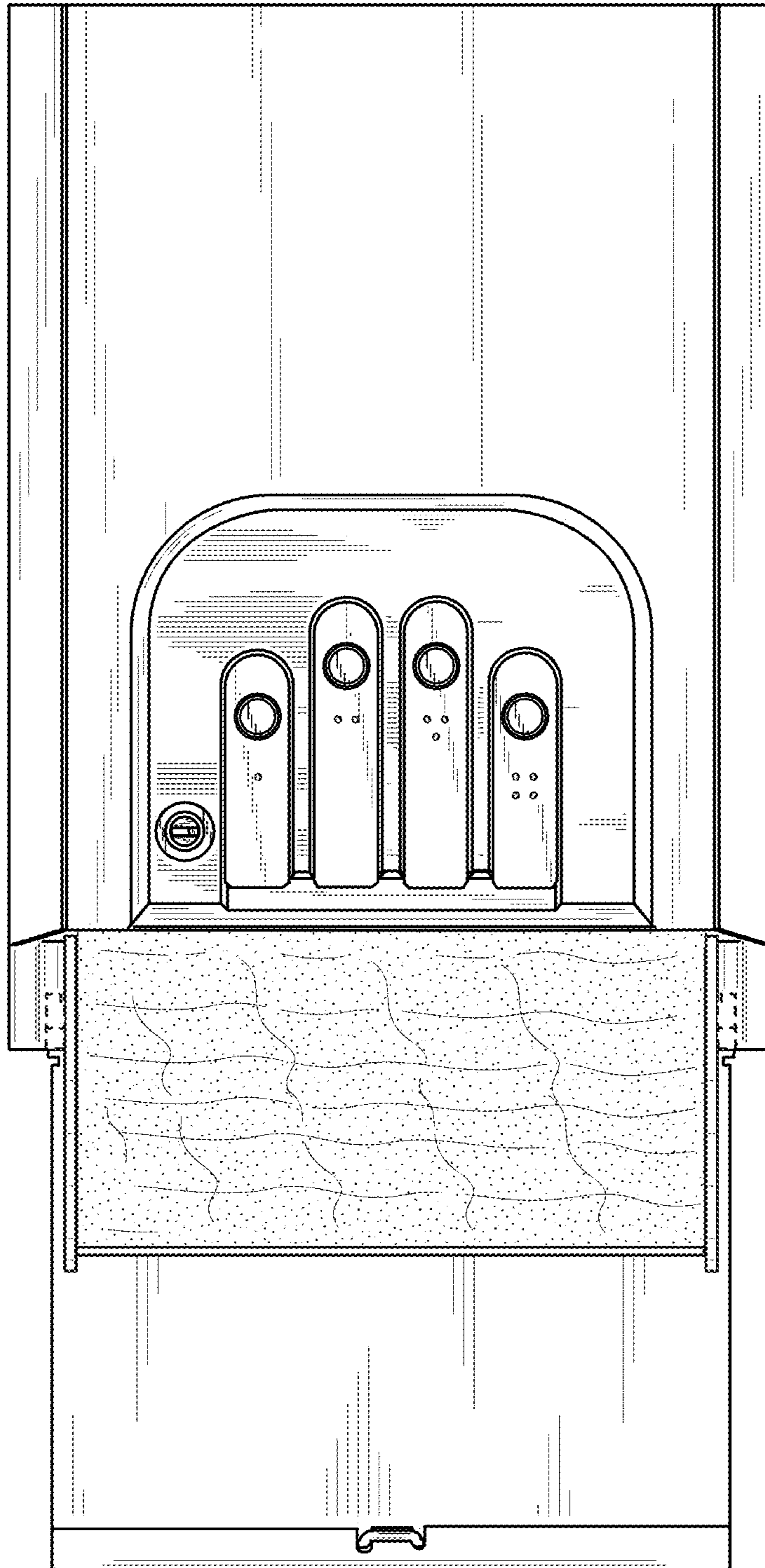


FIG. 23

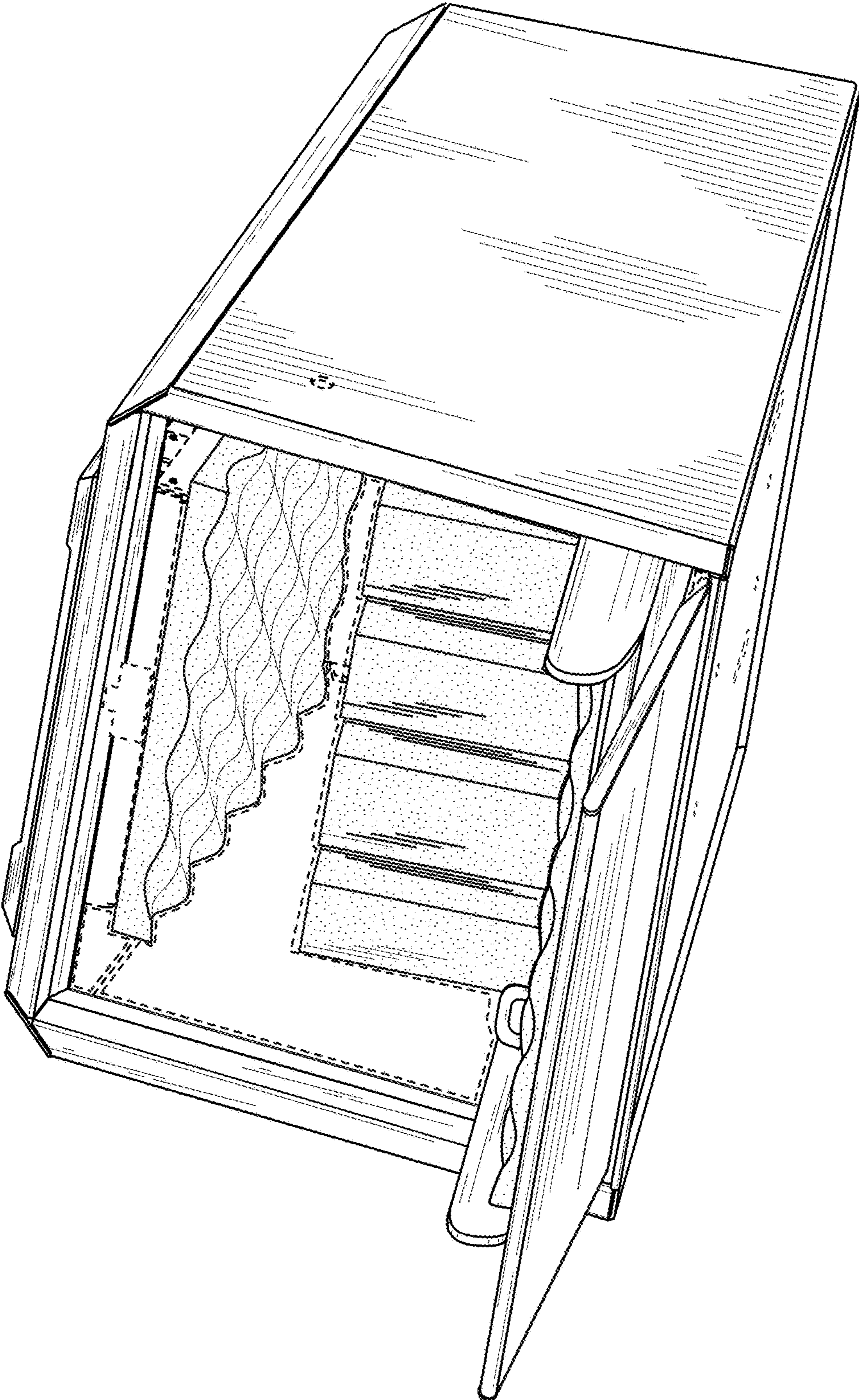


FIG. 24