



US00D881503S

(12) **United States Design Patent**
Hirvesaar

(10) **Patent No.:** **US D881,503 S**
(45) **Date of Patent:** **** Apr. 14, 2020**

(54) **SELF-SERVICE PARCEL TERMINAL**

(71) Applicant: **Cleveron AS**, Viljandi (EE)

(72) Inventor: **Lauri Hirvesaar**, Tallinn (EE)

(73) Assignee: **Cleveron AS**, Viljandi (EE)

(**) Term: **15 Years**

(21) Appl. No.: **29/663,703**

(22) Filed: **Sep. 18, 2018**

(30) **Foreign Application Priority Data**

May 18, 2018 (EM) 005271566-0001

(51) **LOC (12) Cl.** **99-00**

(52) **U.S. Cl.**
USPC **D99/28**

(58) **Field of Classification Search**

USPC D99/28, 34, 35, 36, 43, 99;
D14/300-302, 305, 307, 900-902;
D18/3.1-3.3, 4.1-4.6, 12.1-12.3;
D21/324, 325, 329, 369, 370; 101/66;
109/1 R, 1 V, 2, 23, 24.1, 25, 58, 58.5,
109/66; 446/8-13; 705/16, 17, 18, 42,
705/43, 44, 45; 235/51, 379, 380, 381,
235/382, 382.5, 386; 206/0.8, 0.81,
206/0.815, 0.82, 0.84

CPC .. G06Q 20/10; G06Q 20/108; G06Q 20/1085;
G06Q 20/18; G07D 1/00; G07D 1/02;
G07D 1/04; G07D 1/06; G07D 11/00;
G07D 9/002; G07D 9/04; G07F 19/20;
G07F 19/201; G07F 19/202; G07F
19/203; G07F 19/204; G07F 19/105;
G07F 19/21; G07F 19/00; G07F 7/04;
G07F 5/00; G07F 1/00; E05G 7/001;
E05G 1/006; A63H 33/00; A63H 33/005

See application file for complete search history.

(56) **References Cited**

U.S. PATENT DOCUMENTS

3,943,335 A * 3/1976 Kinker G07D 11/00
235/379
D269,822 S * 7/1983 Barthel 902/22

D269,823 S * 7/1983 Barthel 902/30
4,417,527 A * 11/1983 Williams E04H 1/1238
109/2
D296,028 S * 5/1988 Foster D25/1

(Continued)

Primary Examiner — Elizabeth J Oswecki

(74) *Attorney, Agent, or Firm* — Berggren LLP; Leea
Susanne Somersalo

(57) **CLAIM**

The ornamental design for a self-service parcel terminal, as shown and described.

DESCRIPTION

FIG. 1 is a perspective view of a self-service parcel terminal, showing my new design;

FIG. 2 is a front view of FIG. 1;

FIG. 3 is an enlarged portion view taken from the encircled portion, FIG. 3, in FIG. 2;

FIG. 4 is a back view of FIG. 1;

FIG. 5 is a right side view of FIG. 1;

FIG. 6 is a left side view of FIG. 1; and,

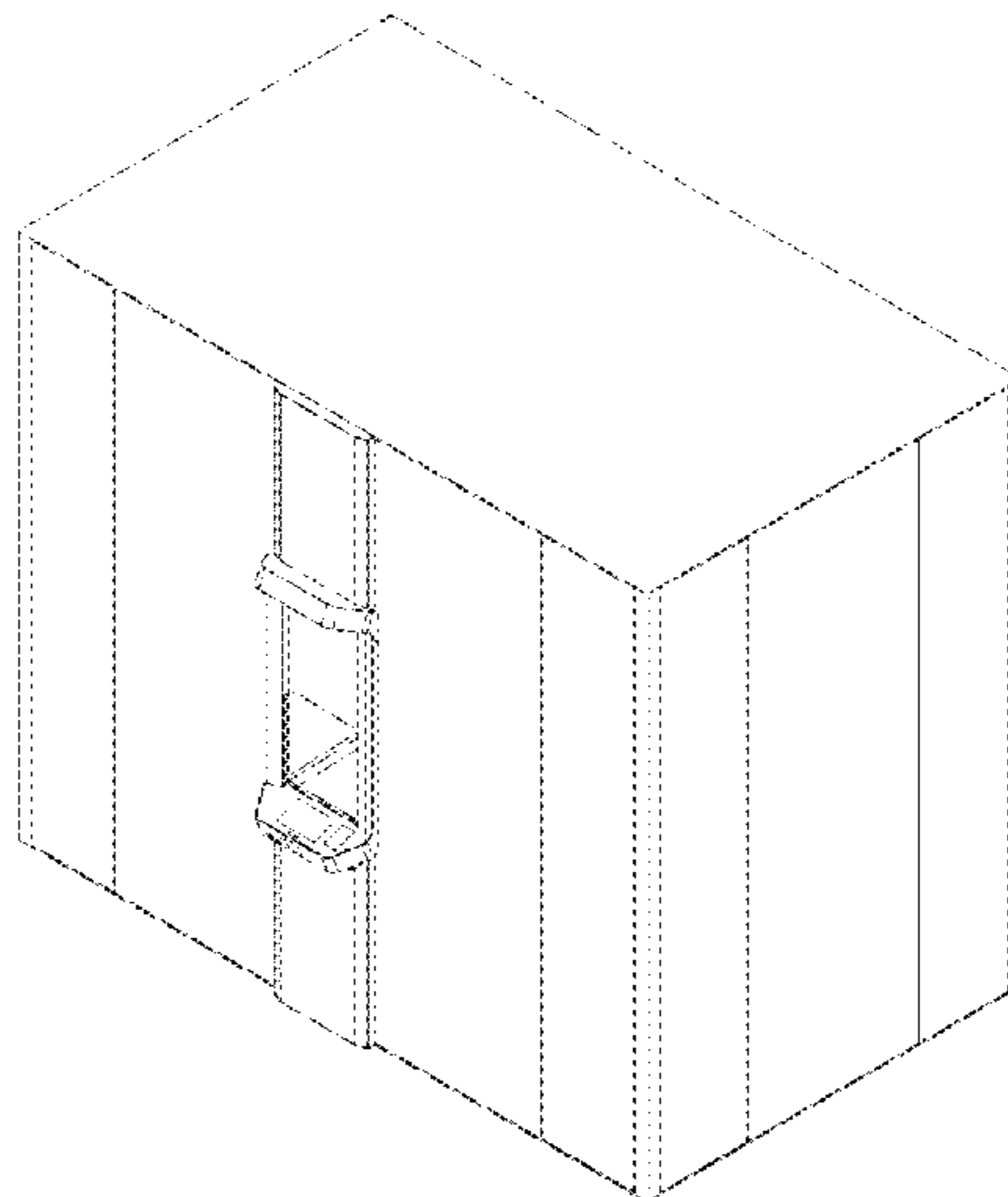
FIG. 7 is a top view of FIG. 1, the bottom view being identical.

The broken lines in FIG. 2 that form the encircled portion, FIG. 3, are shown only to depict the boundaries of FIG. 3, and do not form any part of the claimed design.

The broken lines shown in FIGS. 1-3, aside from the encircled portion of FIG. 2, show disclaimed features of the self-service parcel terminal that form no part of the claimed design.

The symbols and buttons on the front of the self-service parcel terminal in FIGS. 1-3 are shown in broken lines and form no part of the claimed design.

1 Claim, 7 Drawing Sheets



(56)

References Cited

U.S. PATENT DOCUMENTS

4,754,126 A * 6/1988 Caldwell G07D 11/0096
 235/379
 D303,448 S * 9/1989 Noda D99/28
 D304,642 S * 11/1989 Kakiuchi D99/28
 D319,135 S * 8/1991 Feger D99/28
 D332,165 S * 12/1992 Fukutake D99/28
 D360,734 S * 7/1995 Hall D99/28
 D360,735 S * 7/1995 Hall D99/28
 D360,737 S * 7/1995 Helbig, Jr. D99/28
 D360,739 S * 7/1995 Hall D99/28
 D456,587 S * 4/2002 Kit D99/28
 6,732,918 B2 * 5/2004 Coventry G07F 19/20
 235/379
 D492,080 S * 6/2004 Magee D99/28
 6,766,943 B2 * 7/2004 Magee G07F 19/20
 235/375
 D494,730 S * 8/2004 Magee D99/28
 6,793,133 B2 * 9/2004 Magee G06Q 20/1085
 235/379

D505,765 S * 5/2005 Swaine D99/28
 D530,880 S * 10/2006 Magee D99/28
 D596,374 S * 7/2009 Kang D99/28
 D597,275 S * 7/2009 Lee D99/28
 D651,375 S * 12/2011 Lee D99/28
 D696,485 S * 12/2013 Lee D99/28
 D728,190 S * 4/2015 Sheley D99/28
 D749,290 S * 2/2016 Pollmann D99/28
 9,290,927 B1 * 3/2016 Sheley G07F 19/205
 D806,349 S * 12/2017 Birnie D99/28
 D853,076 S * 7/2019 Park D99/28
 D859,778 S * 9/2019 Pieratt D99/28
 2005/0029340 A1 * 2/2005 Ferraro G07F 7/00
 235/379
 2008/0265019 A1 * 10/2008 Artino G06Q 20/1085
 235/379
 2008/0296365 A1 * 12/2008 Schliebe G01G 19/52
 235/379
 2010/0161489 A1 * 6/2010 Goodall G06Q 20/042
 705/45
 2010/0187300 A1 * 7/2010 Ramachandran G07F 19/20
 235/379

* cited by examiner

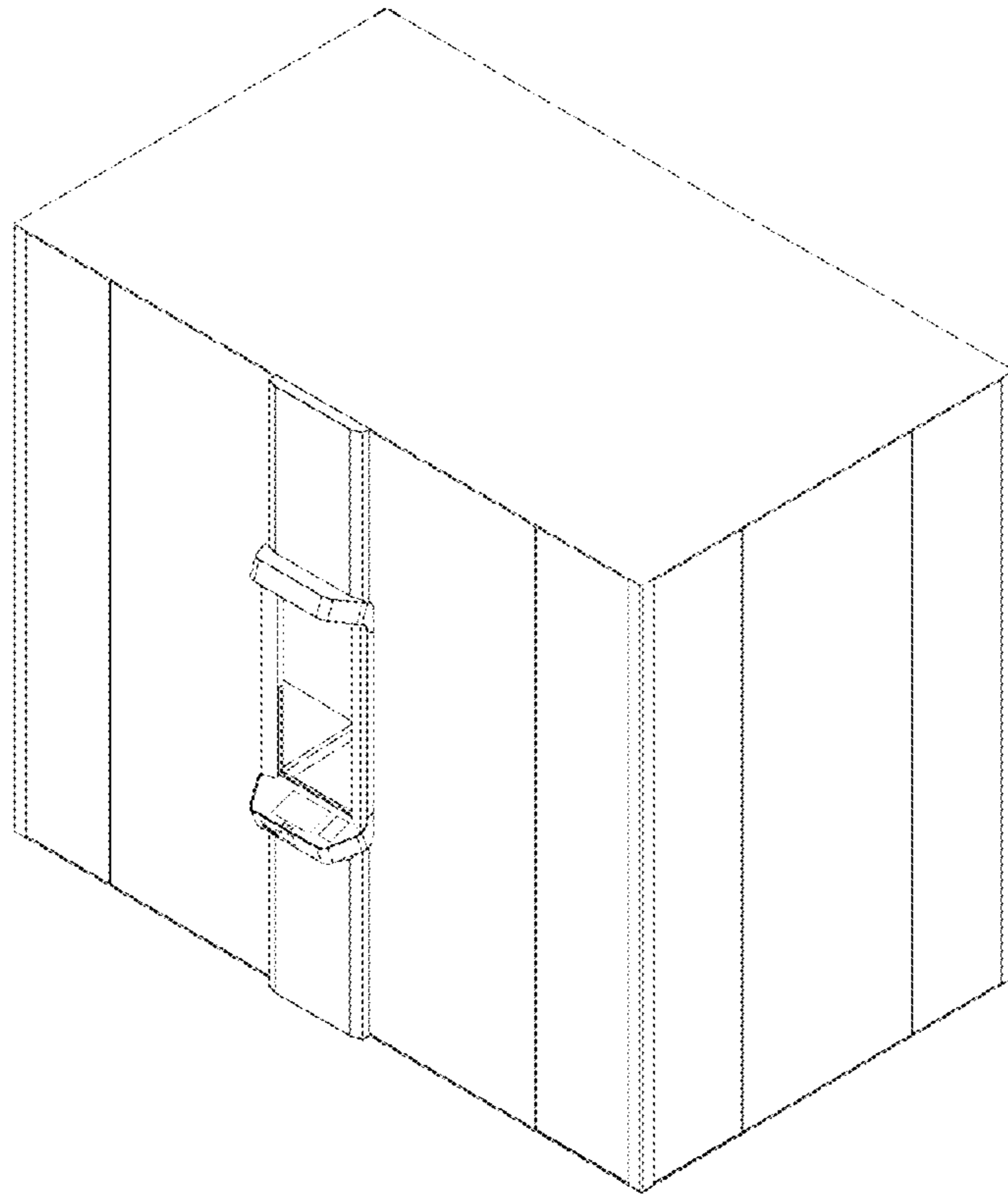


Fig. 1

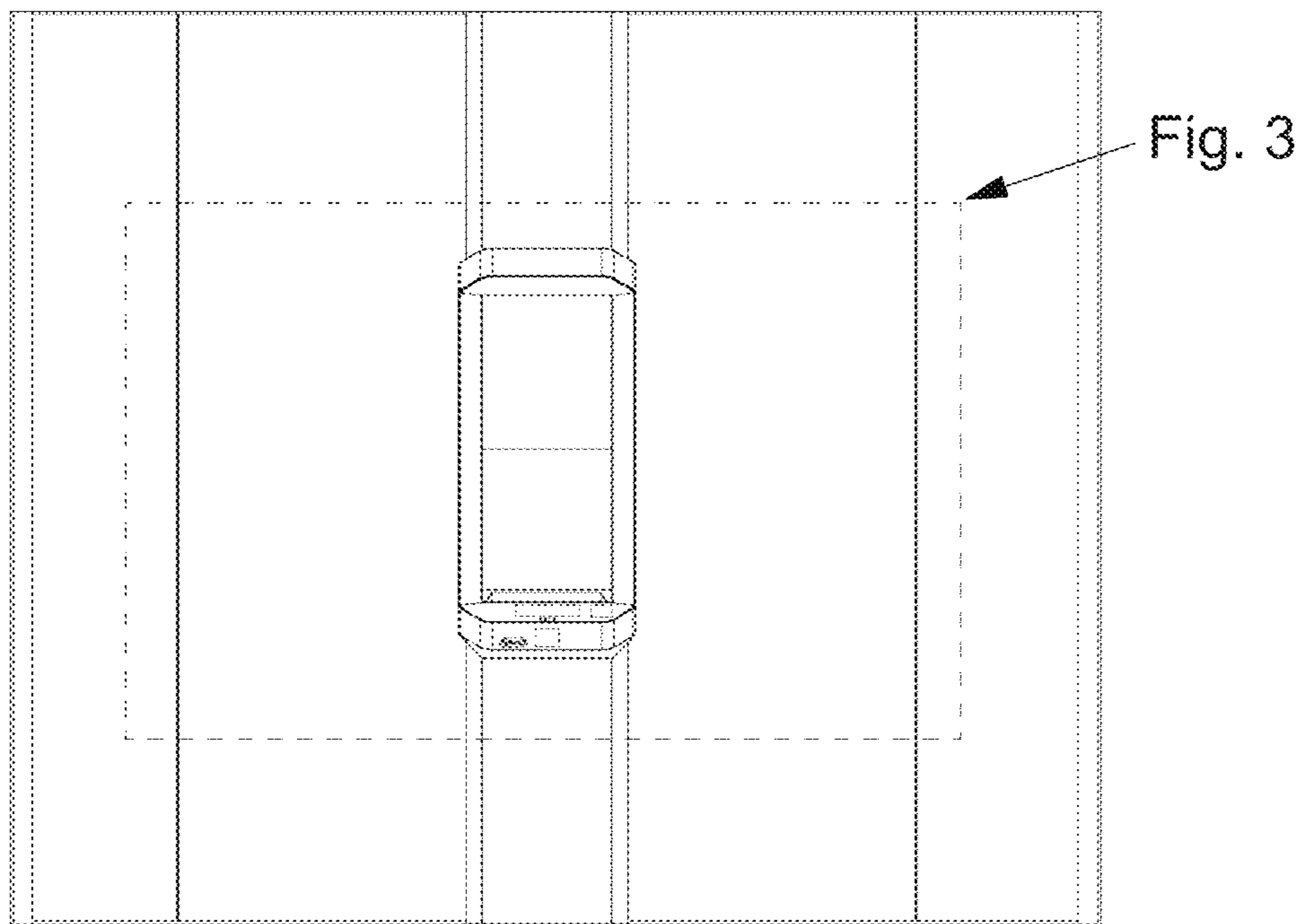


Fig. 2

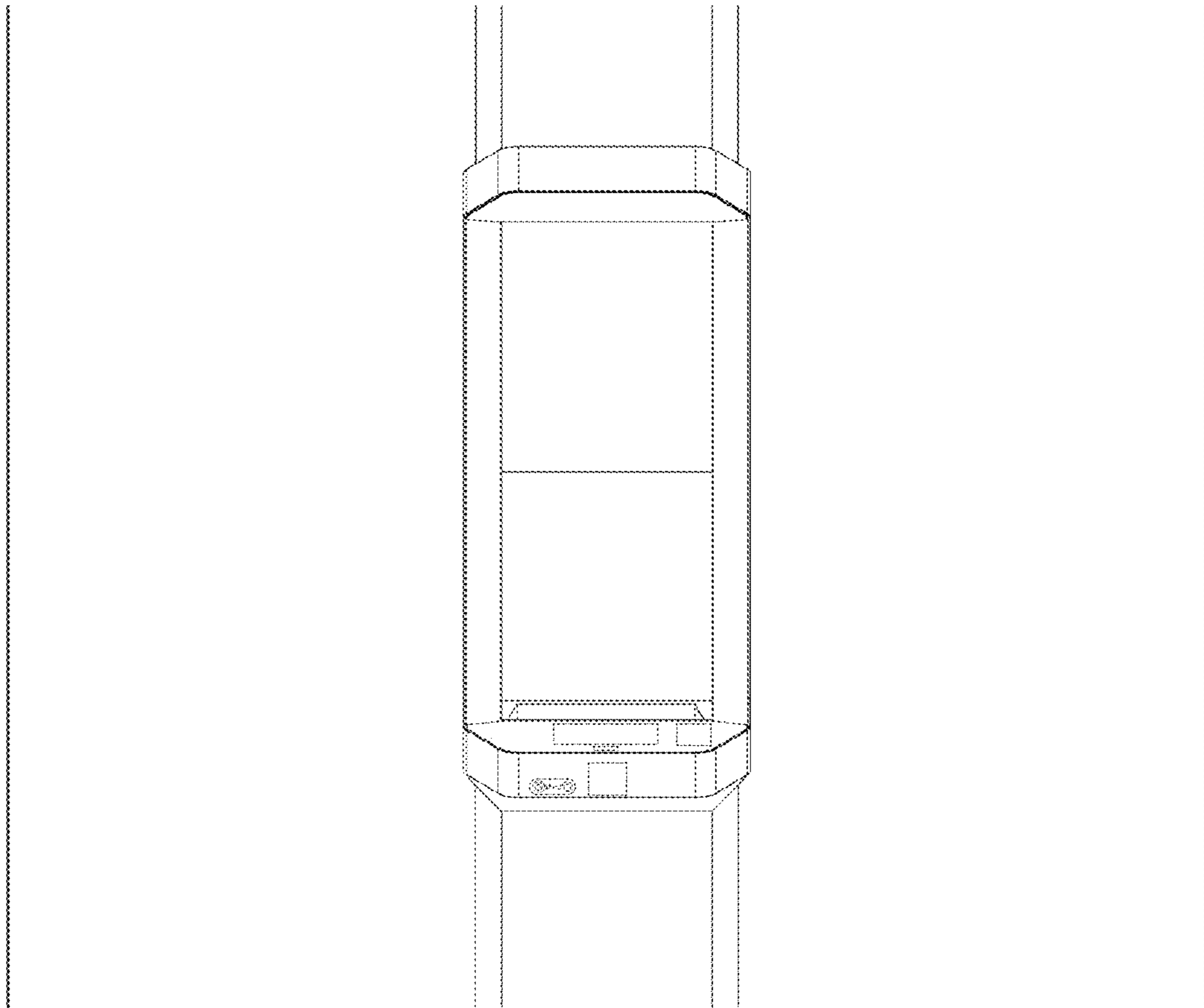


Fig. 3

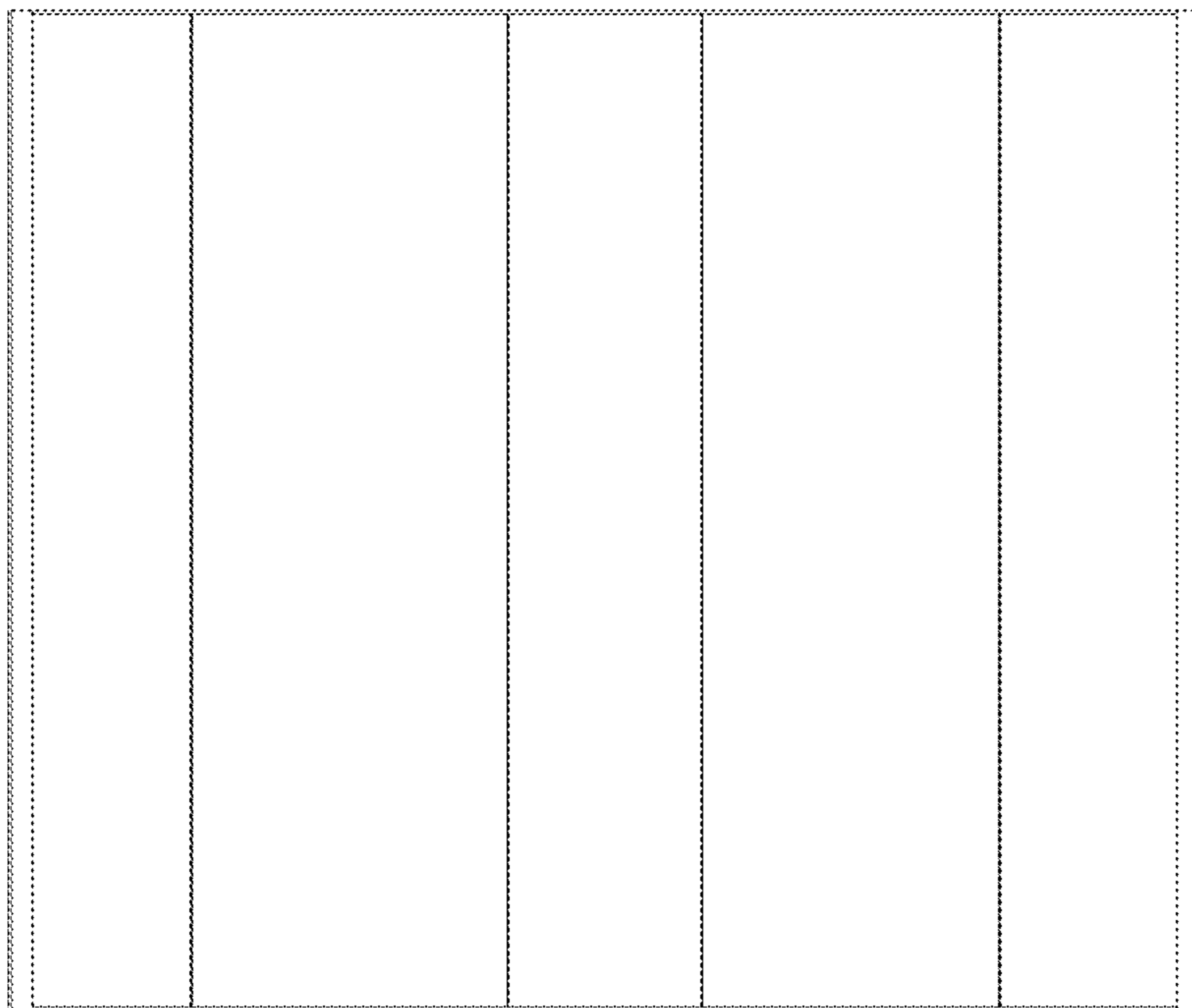


Fig. 4

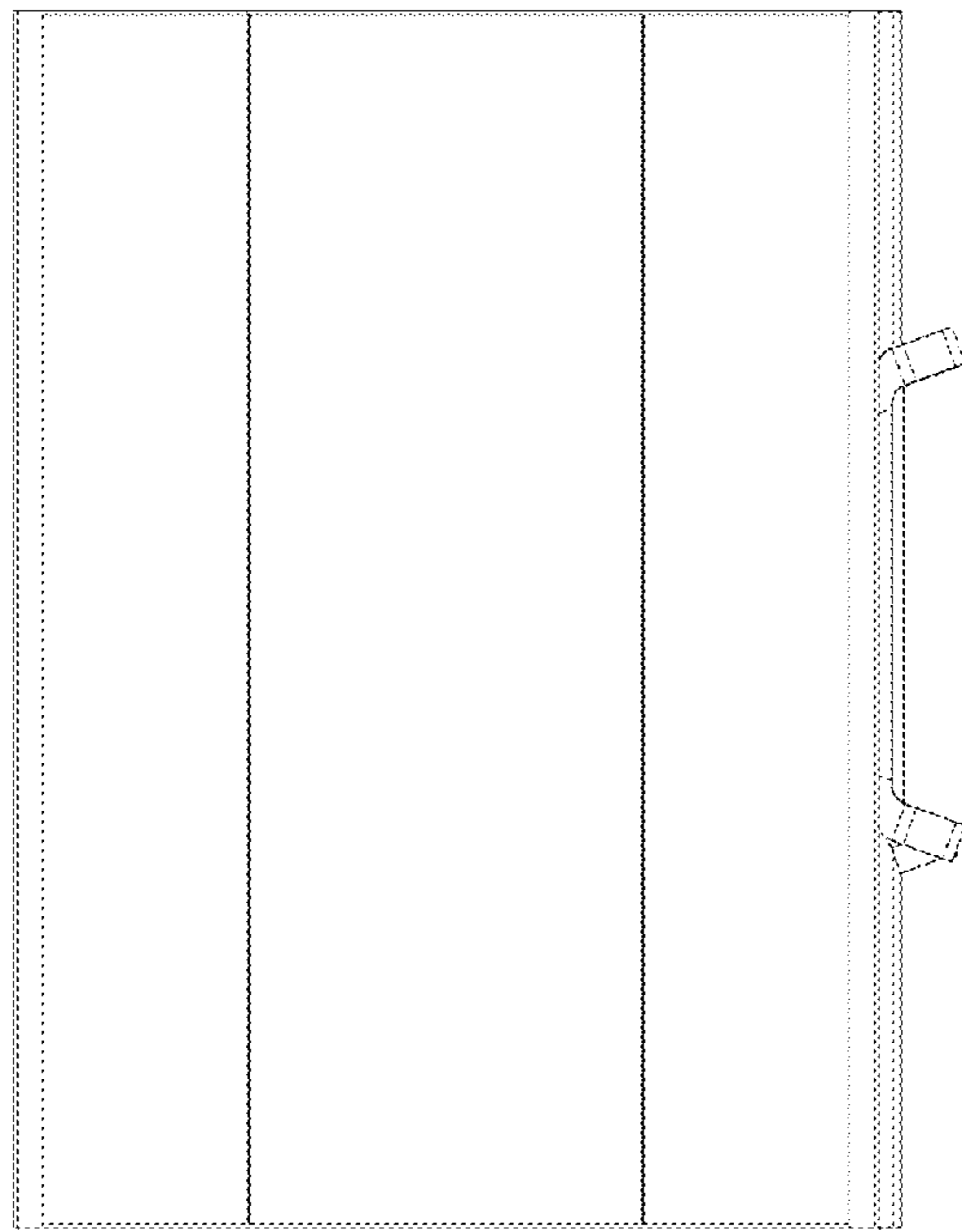


Fig. 5

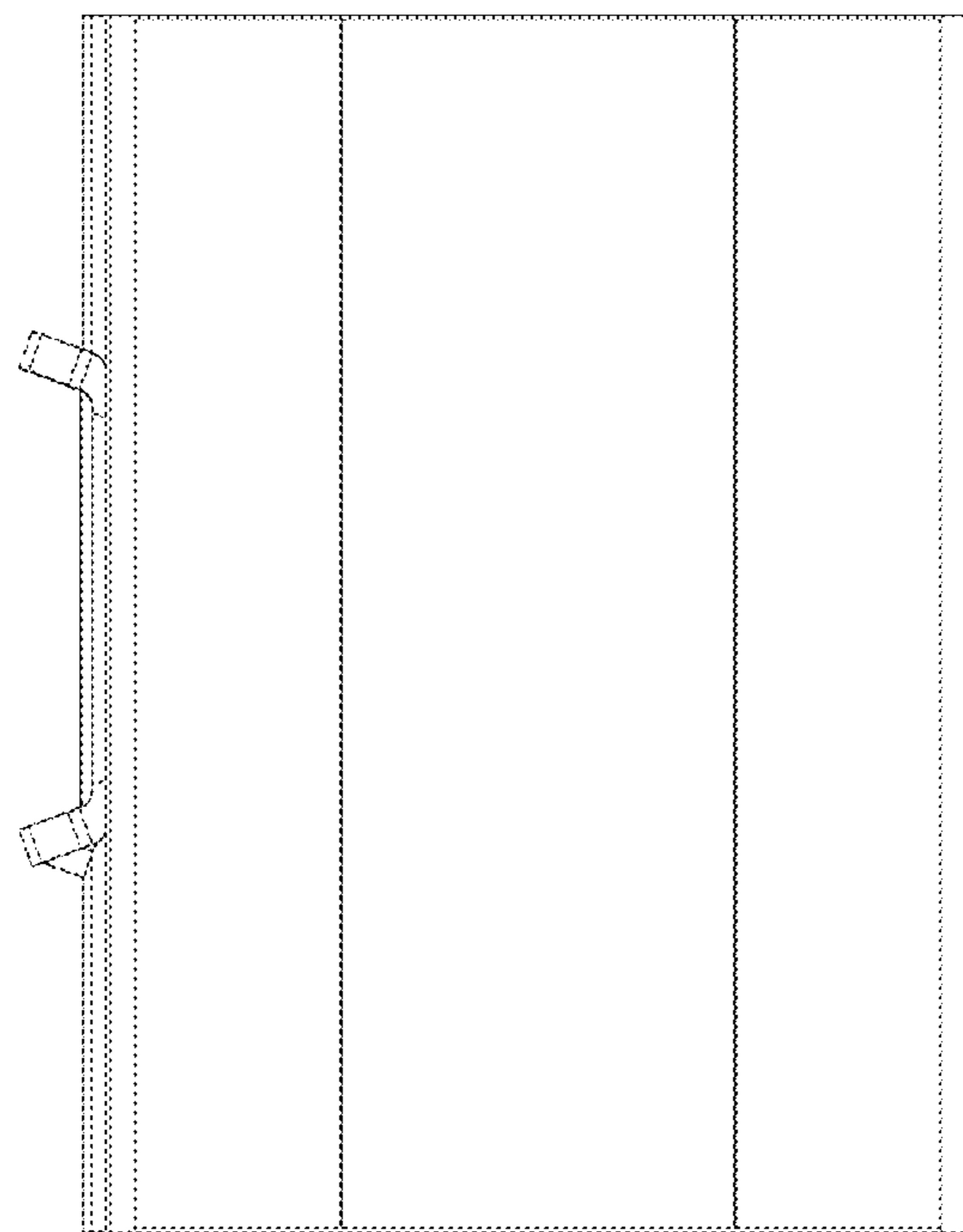


Fig. 6

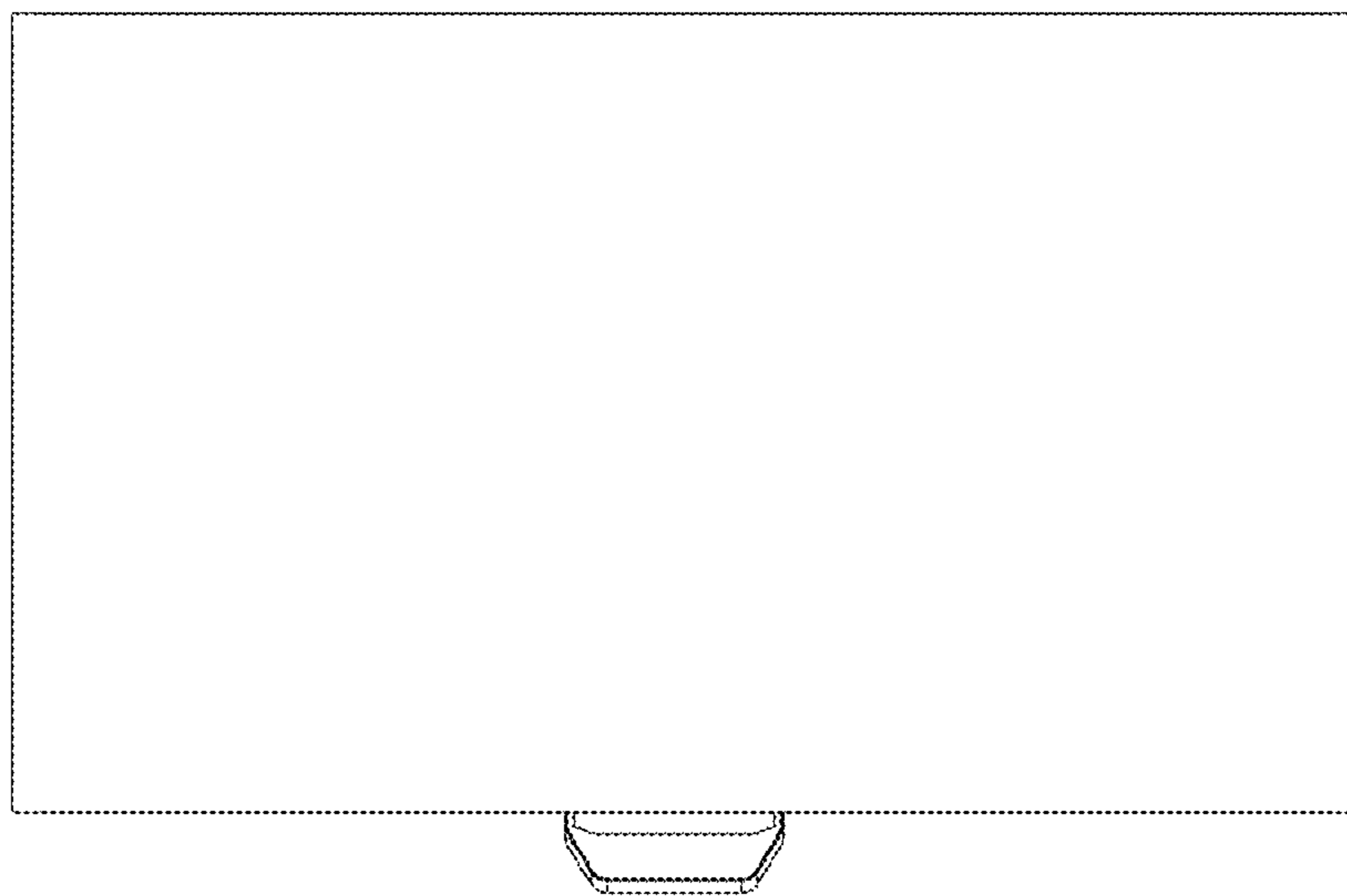


Fig. 7