



US00D881498S

(12) **United States Design Patent**
Kemper

(10) **Patent No.:** **US D881,498 S**

(45) **Date of Patent:** **** Apr. 14, 2020**

(54) **COLLECTOR OF LAWN WASTE**

(71) Applicant: **Brian Wayne Kemper**, Walnut Creek, CA (US)

(72) Inventor: **Brian Wayne Kemper**, Walnut Creek, CA (US)

(**) Term: **15 Years**

(21) Appl. No.: **29/664,418**

(22) Filed: **Sep. 25, 2018**

Related U.S. Application Data

(63) Continuation-in-part of application No. 16/140,884, filed on Sep. 25, 2018.

(51) **LOC (12) Cl.** **09-09**

(52) **U.S. Cl.**
USPC **D34/5**

(58) **Field of Classification Search**

USPC D34/1, 3, 5, 6, 7, 12-14, 17-27;
280/651, 47.26, 47.19, 47.35, 652,
280/33.996, 47.315, 40, 47.17; 220/908,
220/909, 911, 646, 643, 640, 772

CPC B62B 1/12; B62B 1/20; B62B 5/0438;
B62B 1/04; B62B 1/042; B62B 1/208

See application file for complete search history.

(56) **References Cited**

U.S. PATENT DOCUMENTS

D342,816 S * 12/1993 Diotte D34/1
6,318,588 B1 * 11/2001 Lichtenwalner B65F 1/02
220/908

7,131,552 B2 * 11/2006 Simonson B65F 1/06
220/495.06

D641,530 S * 7/2011 Lewis D34/5

8,083,091 B2 * 12/2011 Arteaga B65F 1/02
220/640

D651,780 S * 1/2012 Grasteit D34/1

* cited by examiner

Primary Examiner — Gino Colan

(57) **CLAIM**

The ornamental design for a collector of lawn waste, as shown and described.

DESCRIPTION

FIG. 1 is a top right perspective view of a collector of lawn waste showing my new design;

FIG. 2 is a top left perspective view thereof;

FIG. 3 is a bottom left perspective view thereof;

FIG. 4 is a front view thereof;

FIG. 5 is a back view thereof;

FIG. 6 is a top view thereof;

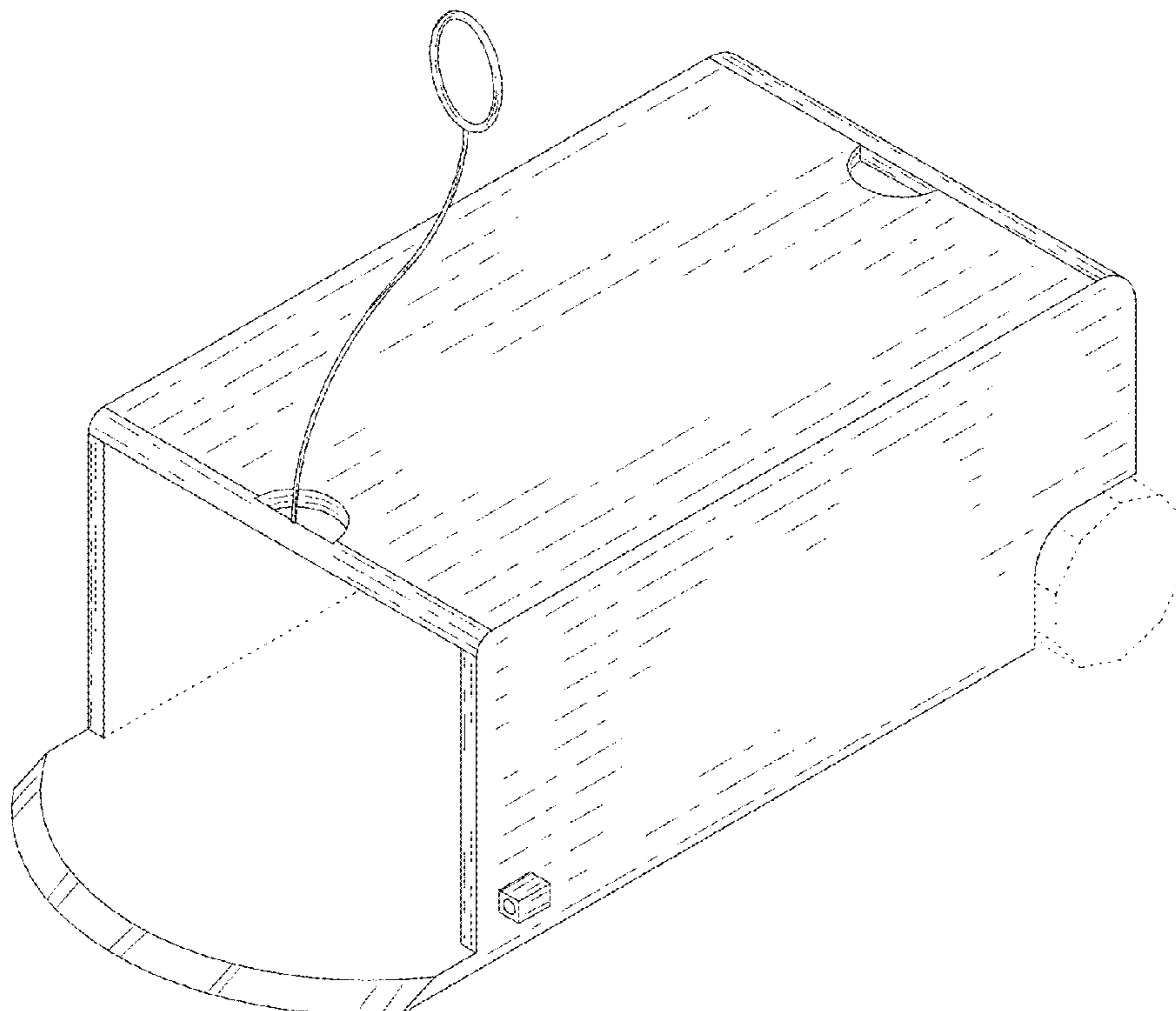
FIG. 7 is a bottom view thereof;

FIG. 8 is a left view thereof; and,

FIG. 9 is a right view thereof.

The broken lines showing of the wheels in FIG. 1-9 are included for the purpose of showing environmental structure and form no part of the claimed design. The broken lines shown in the figures are included for the purpose of illustration portions of the collector of lawn waste which form no part of the claimed design.

1 Claim, 9 Drawing Sheets



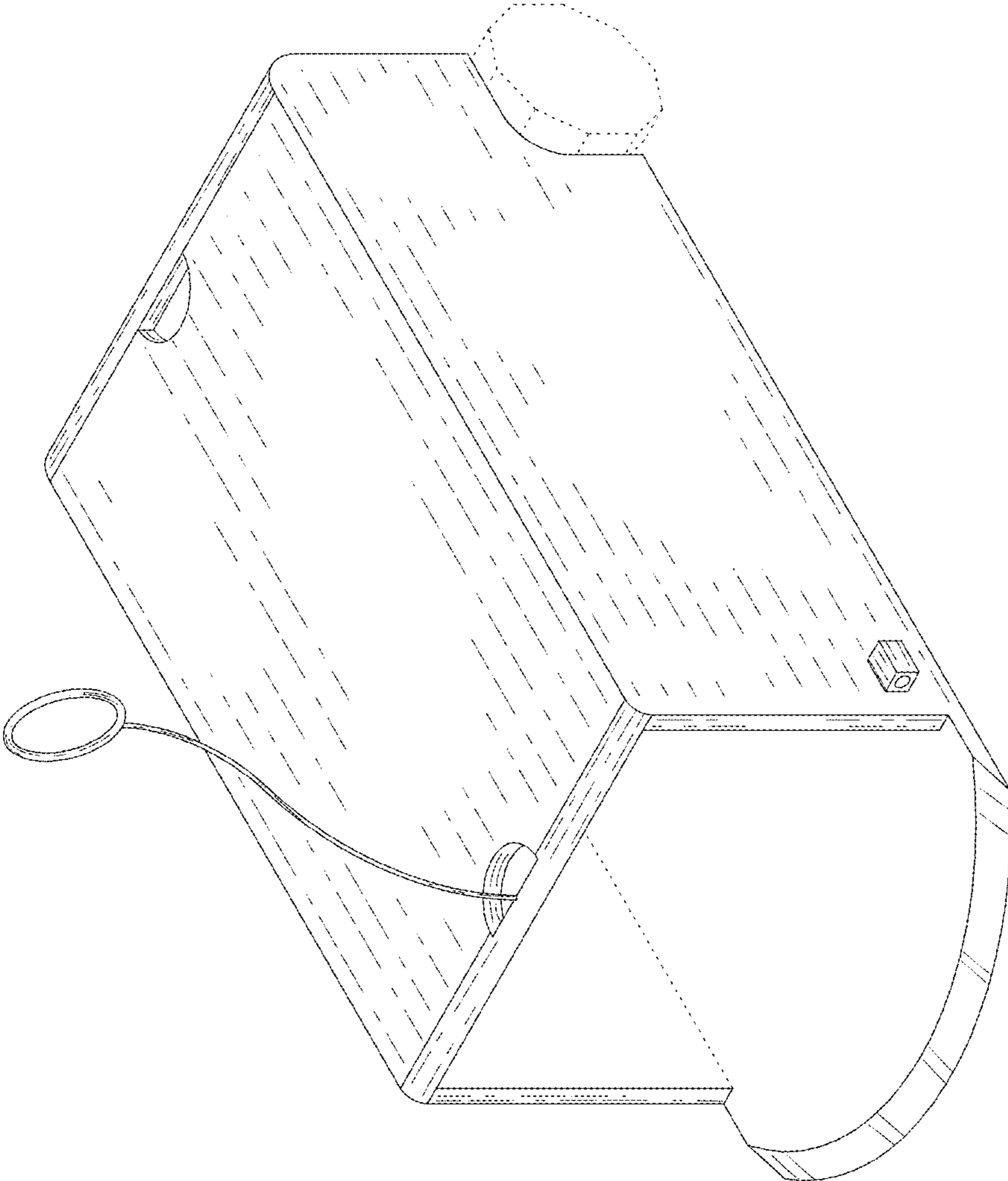


FIG. 1

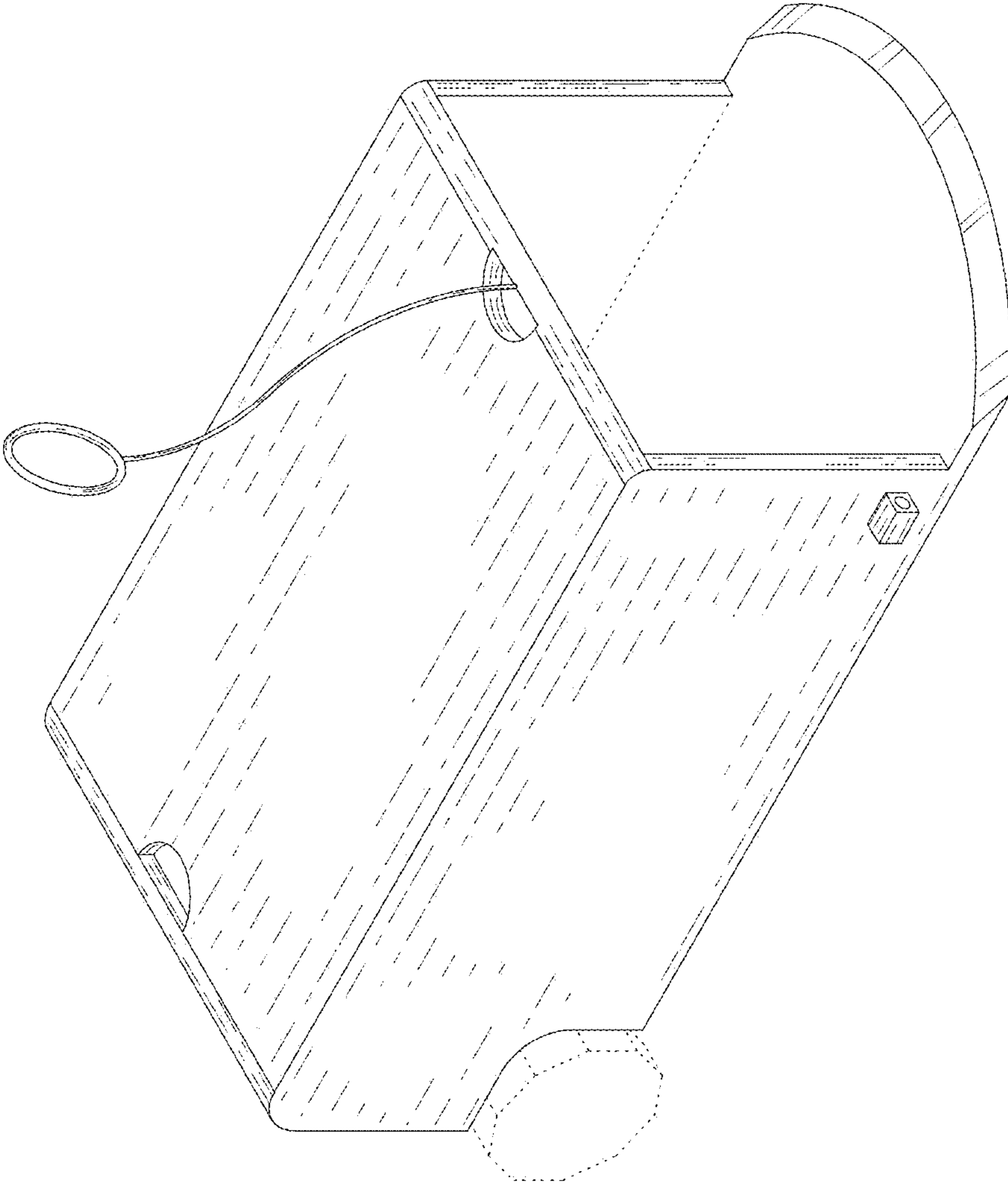


FIG. 2

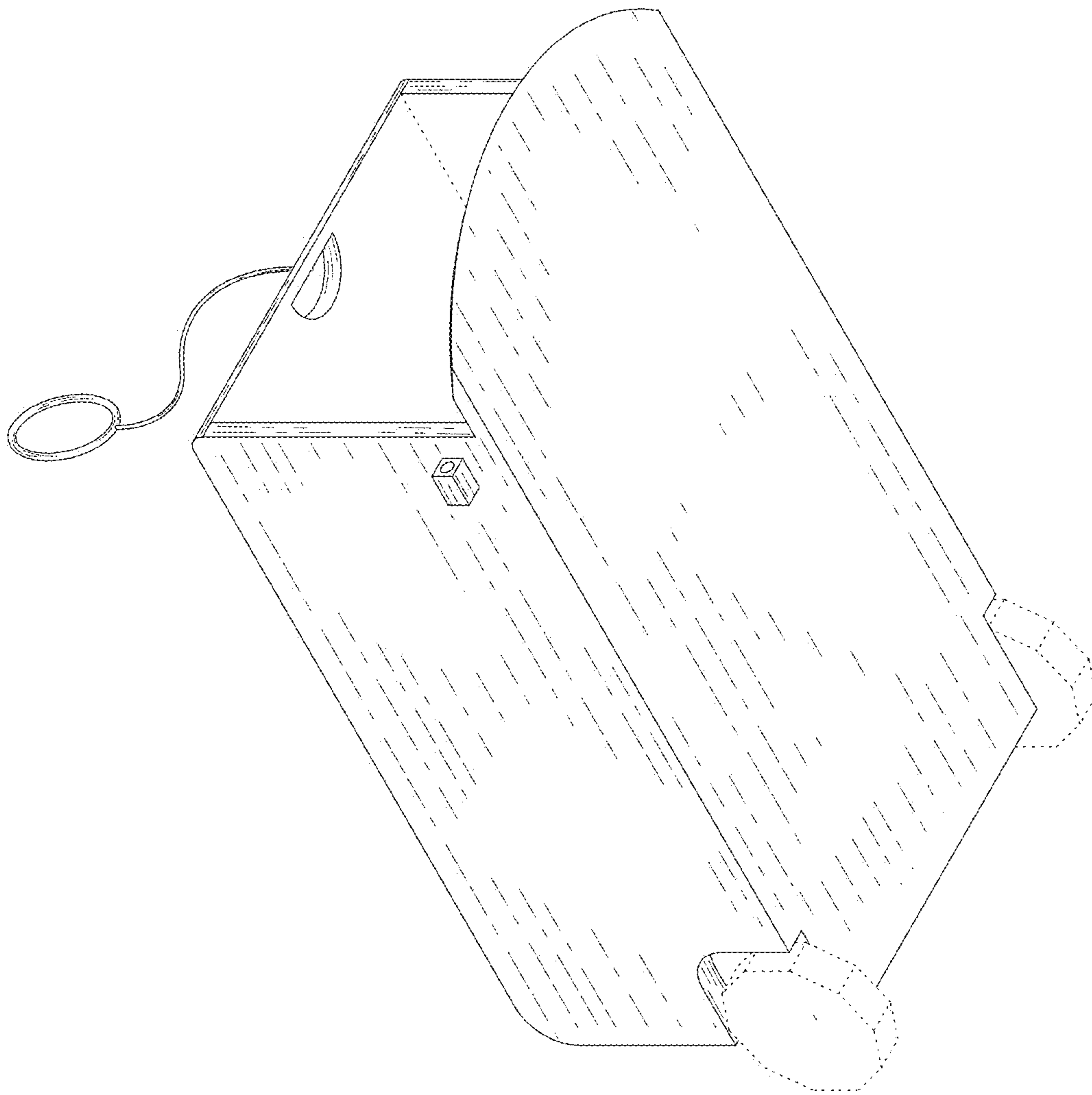


FIG. 3

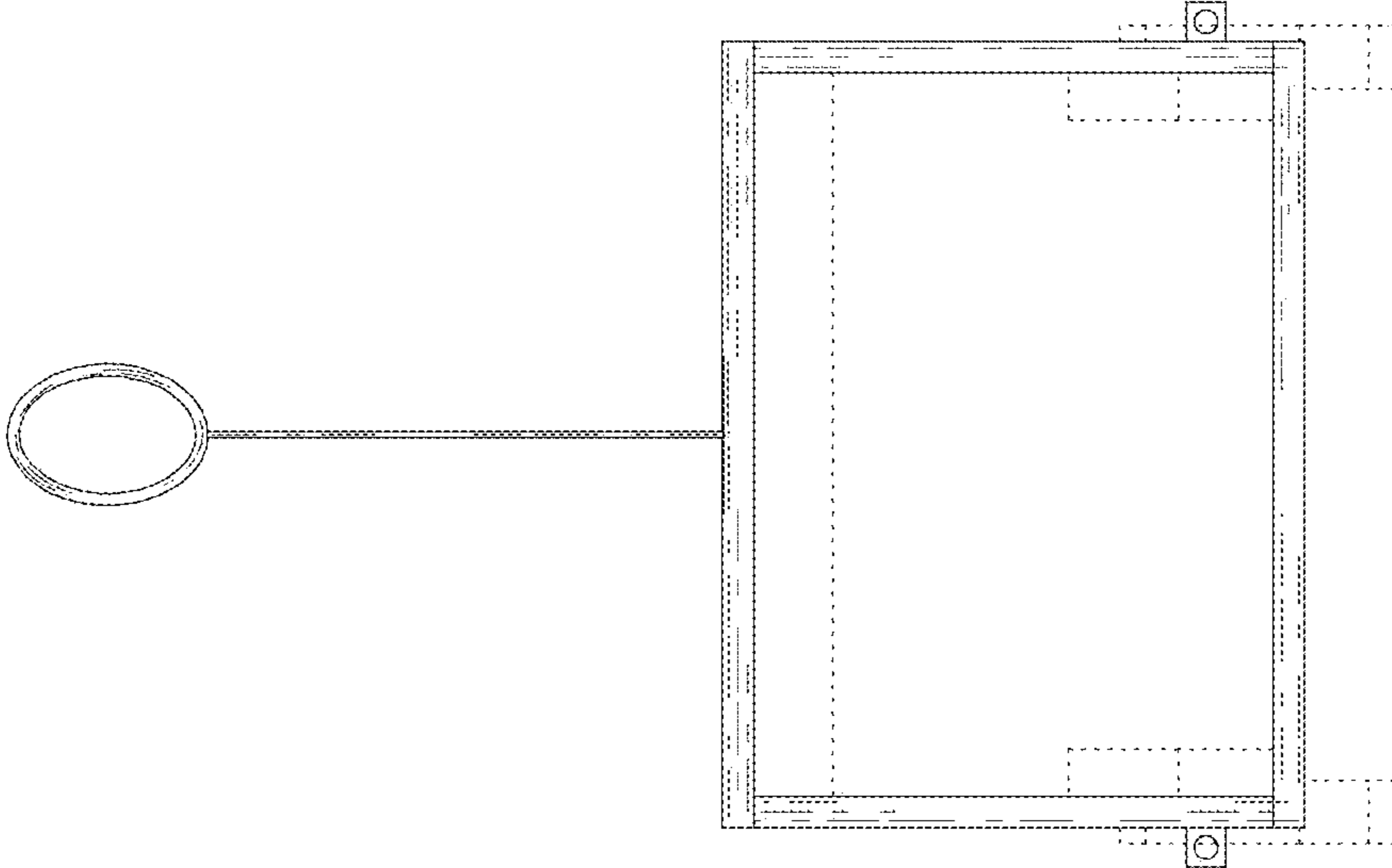


FIG. 4

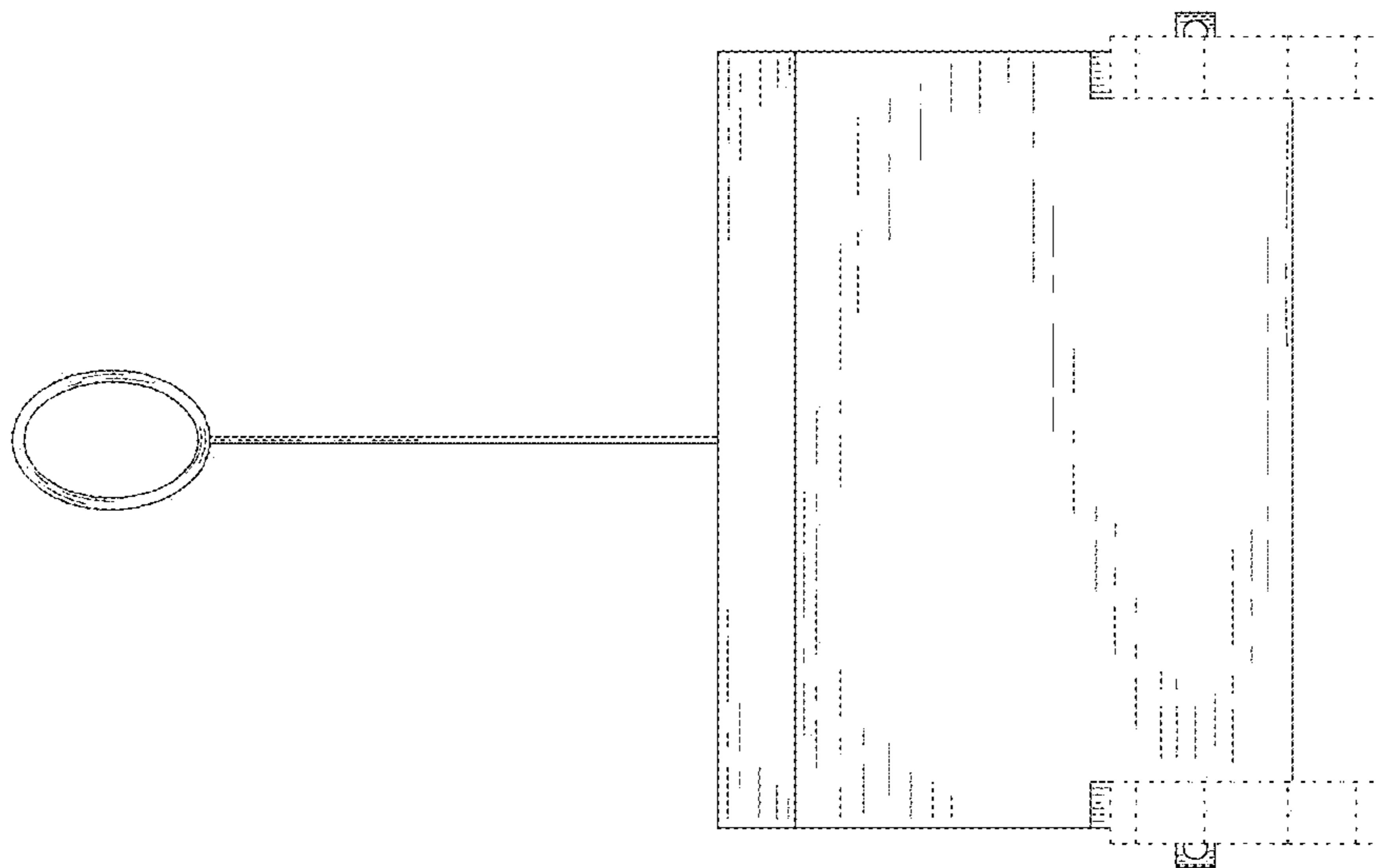


FIG. 5

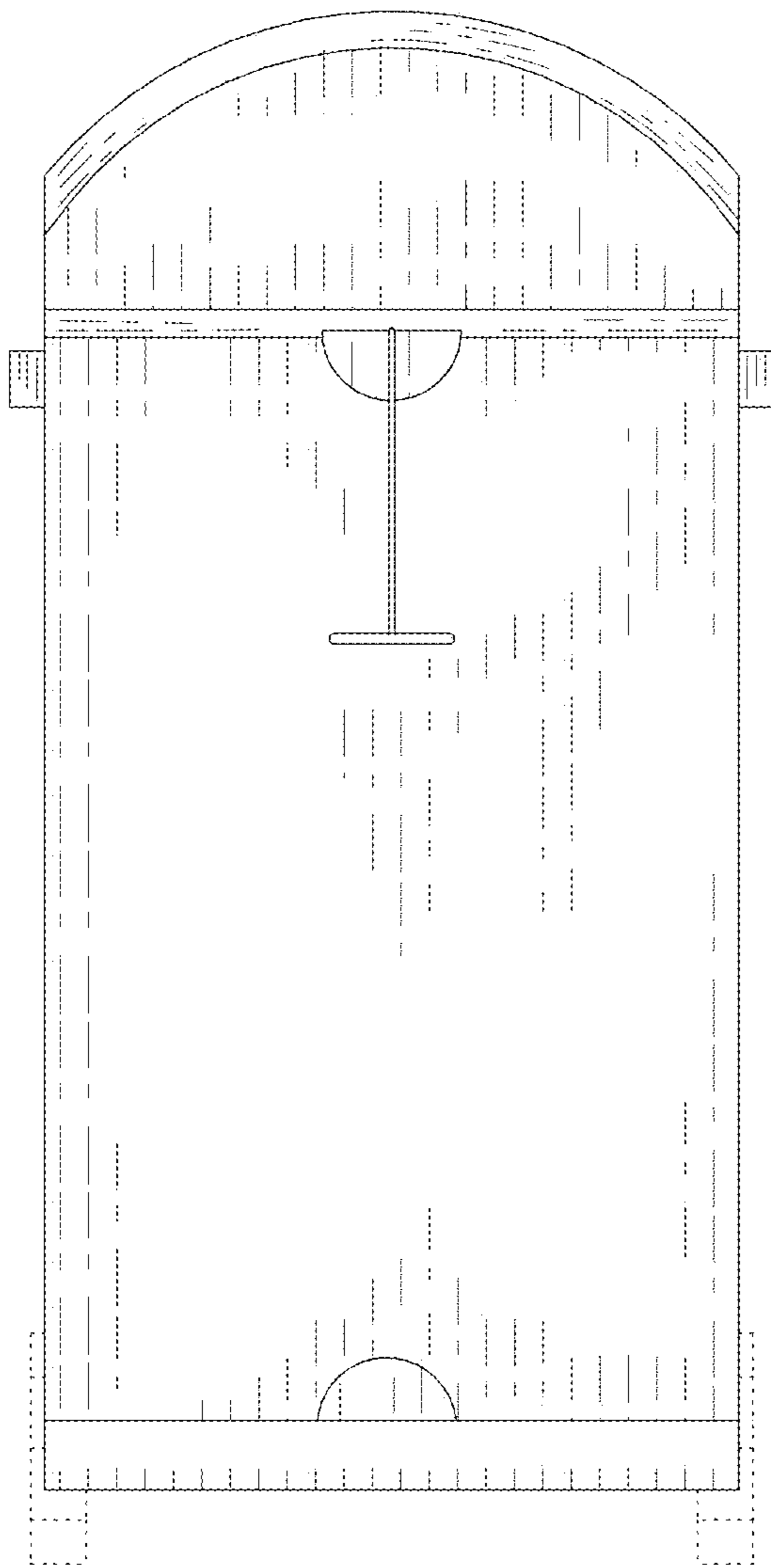


FIG. 6

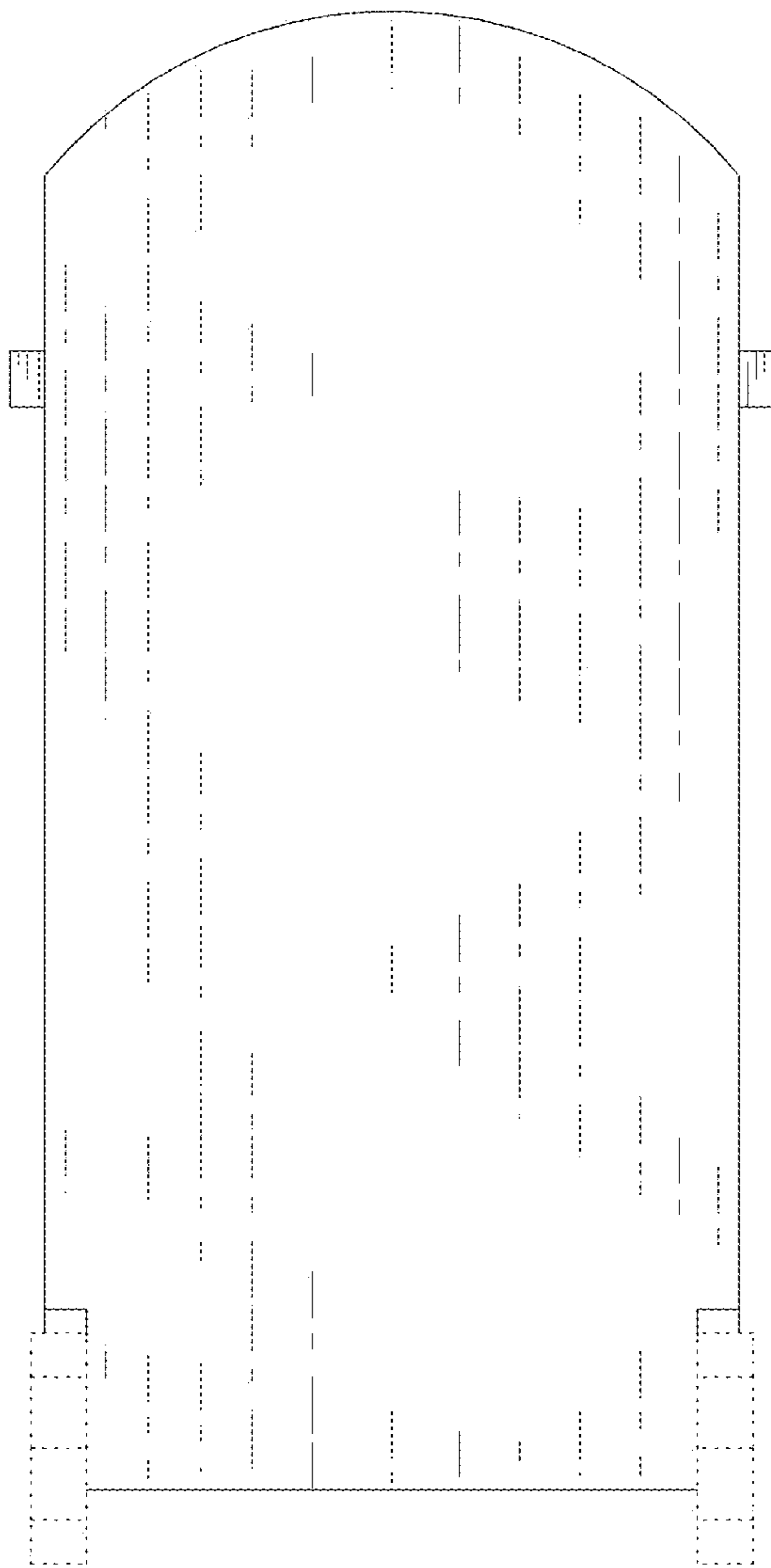


FIG. 7

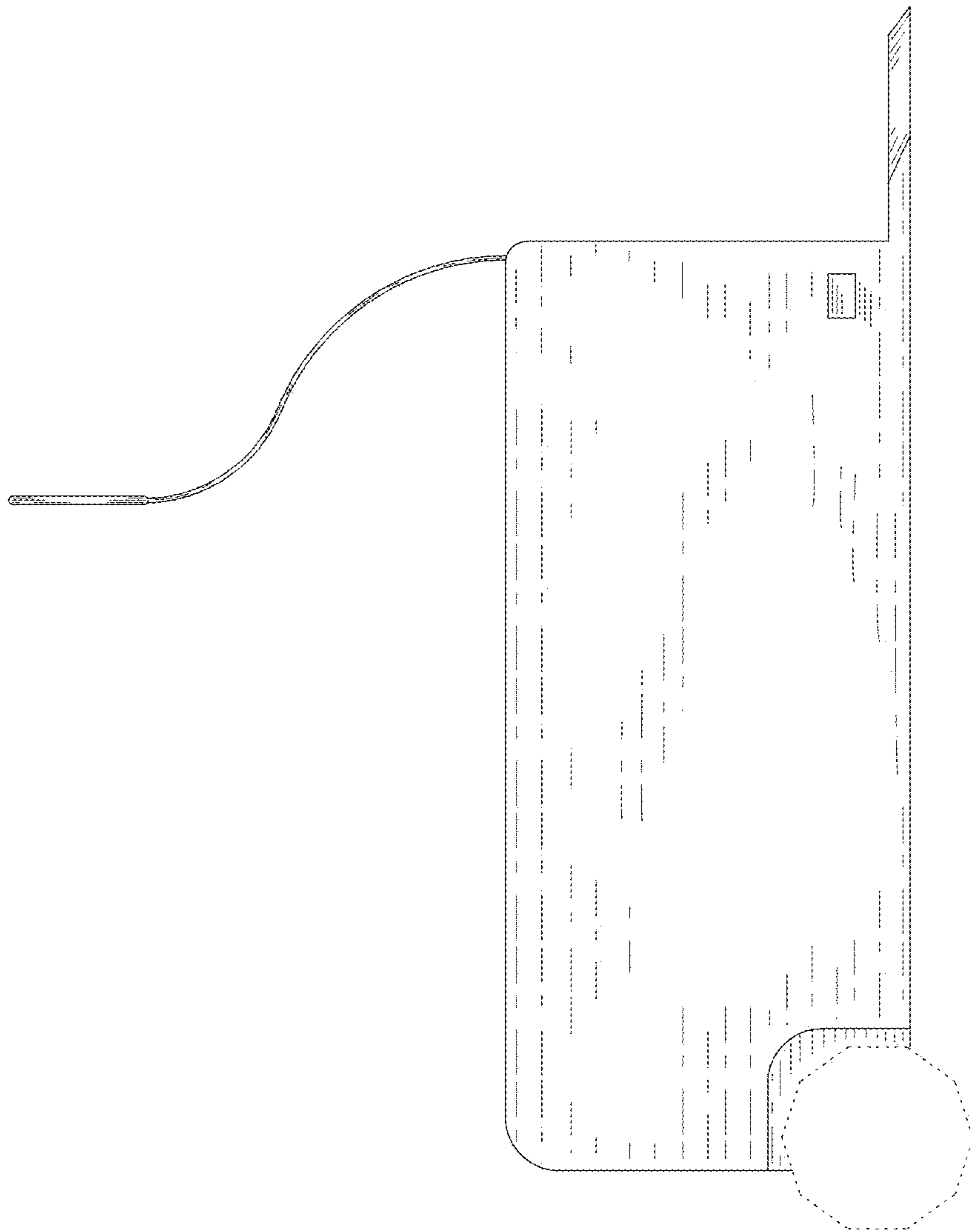


FIG. 8

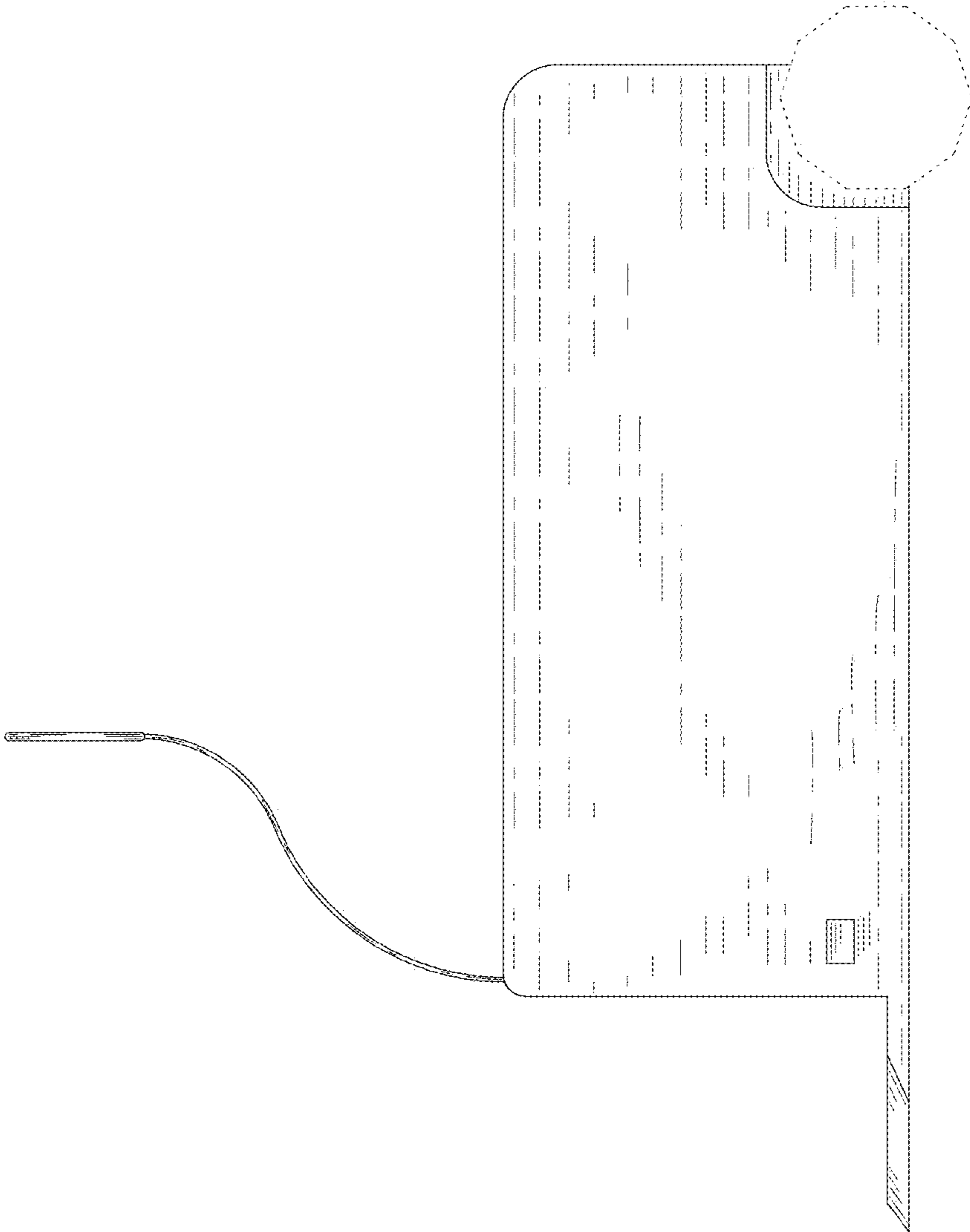


FIG. 9