



US00D881495S

(12) **United States Design Patent**
Labrecque et al.

(10) **Patent No.:** **US D881,495 S**
(45) **Date of Patent:** **** Apr. 14, 2020**

- (54) **CONTAINER**
- (71) Applicant: **IPL INC.**, St-Damien (CA)
- (72) Inventors: **Jean-Gabriel Labrecque**,
Saint-Damien-de-Buckland (CA);
Mathieu Genois, Lévis (CA); **Daisy**
Del Rosario Roy, Pintendre (CA);
Francis Côté, Lévis (CA)
- (73) Assignee: **IPL INC.** (CA)
- (**) Term: **15 Years**
- (21) Appl. No.: **29/664,719**
- (22) Filed: **Sep. 27, 2018**
- (51) **LOC (12) Cl.** **07-05**
- (52) **U.S. Cl.**
USPC **D32/53**
- (58) **Field of Classification Search**
USPC D32/53, 53.1, 54; D3/304, 307, 315,
D3/905; D9/434, 753
CPC B44D 3/123; B44D 3/128; B44D 3/12;
A47L 13/142; A47L 13/58; B65D 25/14;
B65D 2543/00092; B65D 45/20
See application file for complete search history.

- 5,344,041 A * 9/1994 Luburic B65D 25/32
220/760
- D398,664 S * 9/1998 Freeland B65D 25/32
D21/398
- 5,816,439 A * 10/1998 Lovell B65D 25/32
220/760
- D430,459 S * 9/2000 Conti D32/53
- 6,257,440 B1 * 7/2001 Perkins B65D 25/32
220/755
- 6,308,379 B1 * 10/2001 Hendrickson A47J 45/065
220/669
- D759,927 S * 6/2016 Del Rosario Roy
B65D 33/1625
D32/53

(56) **References Cited**

U.S. PATENT DOCUMENTS

- 3,035,623 A * 5/1962 Goetz A47J 47/18
220/675
- 3,417,912 A * 12/1968 Paxton B65D 33/1625
383/71
- 4,351,448 A * 9/1982 Ingersoll A45C 13/28
206/508
- D266,964 S * 11/1982 Rasheed A47J 47/18
D32/54
- 5,287,990 A * 2/1994 Knox B65D 25/32
220/759

OTHER PUBLICATIONS

Product A, photos of the handle attachment point and underside of a container manufactured by BWAY, Nov. 15, 2018.

(Continued)

Primary Examiner — Sheryl Lane

Assistant Examiner — Calvin E Vansant

(74) *Attorney, Agent, or Firm* — Lavery, De Billy, LLP;
Gwendoline Bruneau

(57) **CLAIM**

The ornamental design for a container, as shown and described.

DESCRIPTION

FIG. 1 is a perspective view of a container, showing the new design;

FIG. 2 is a first side view thereof;

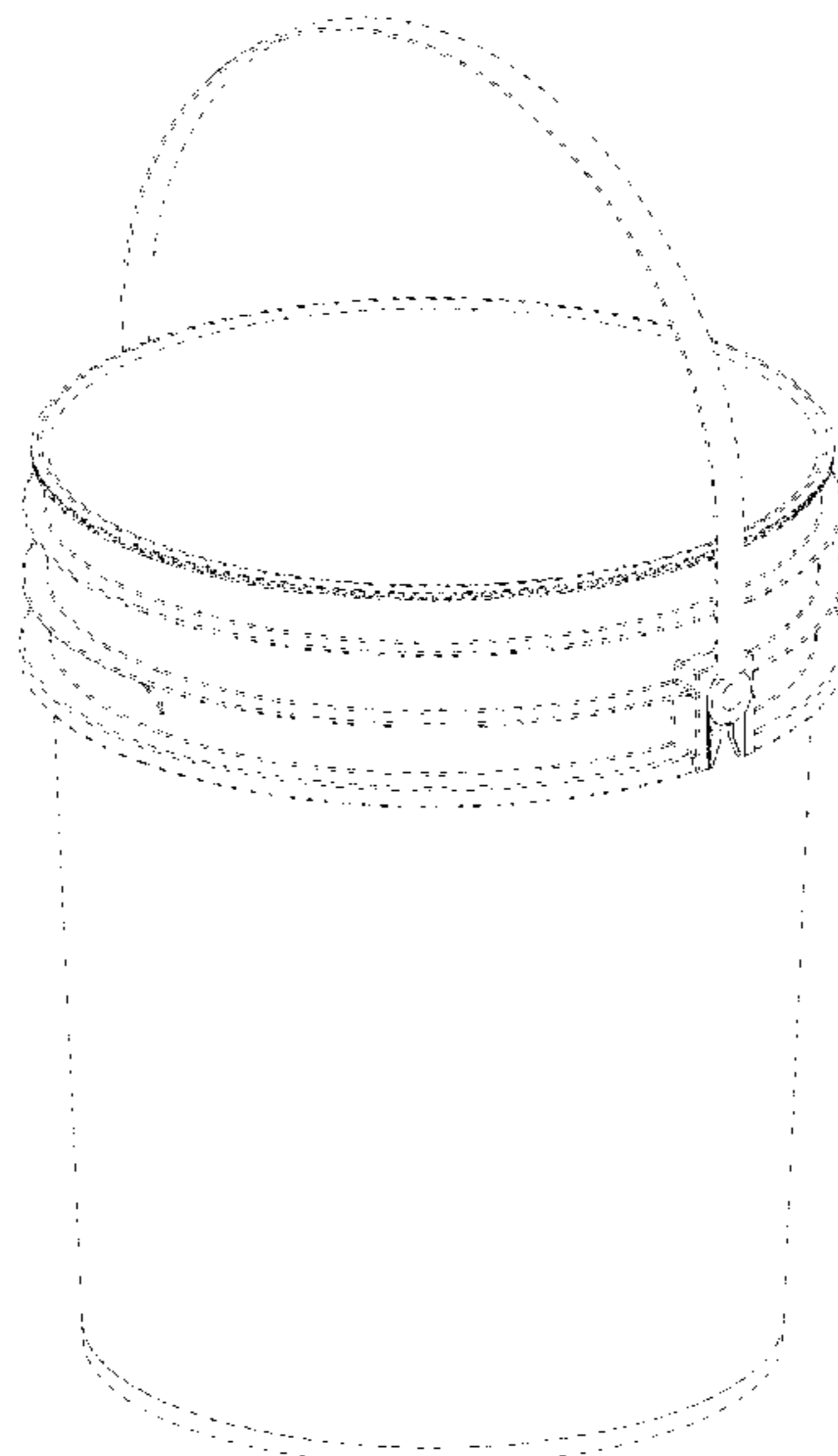
FIG. 3 is a second side view thereof;

FIG. 4 is a top view thereof; and,

FIG. 5 is a bottom view thereof.

The broken lines shown in the figures are included for the purpose of illustrating portions of the container and do not form part of the claimed design.

1 Claim, 5 Drawing Sheets



(56)

References Cited

OTHER PUBLICATIONS

Product B, photos of the handle attachment point and underside of a container manufactured by ROPAK, Nov. 15, 2018.

Product C, photos of the handle attachment point and underside of a container manufactured by ROPAK, Nov. 15, 2018.

Product D, photos of the handle attachment point and underside of a container manufactured by ROPAK, Nov. 15, 2018.

Product E, photos of the handle attachment point and underside of a container manufactured by ROPAK, Nov. 15, 2018.

Product F, photos of the handle attachment point and underside of a container manufactured by ROPAK, Nov. 15, 2018.

* cited by examiner

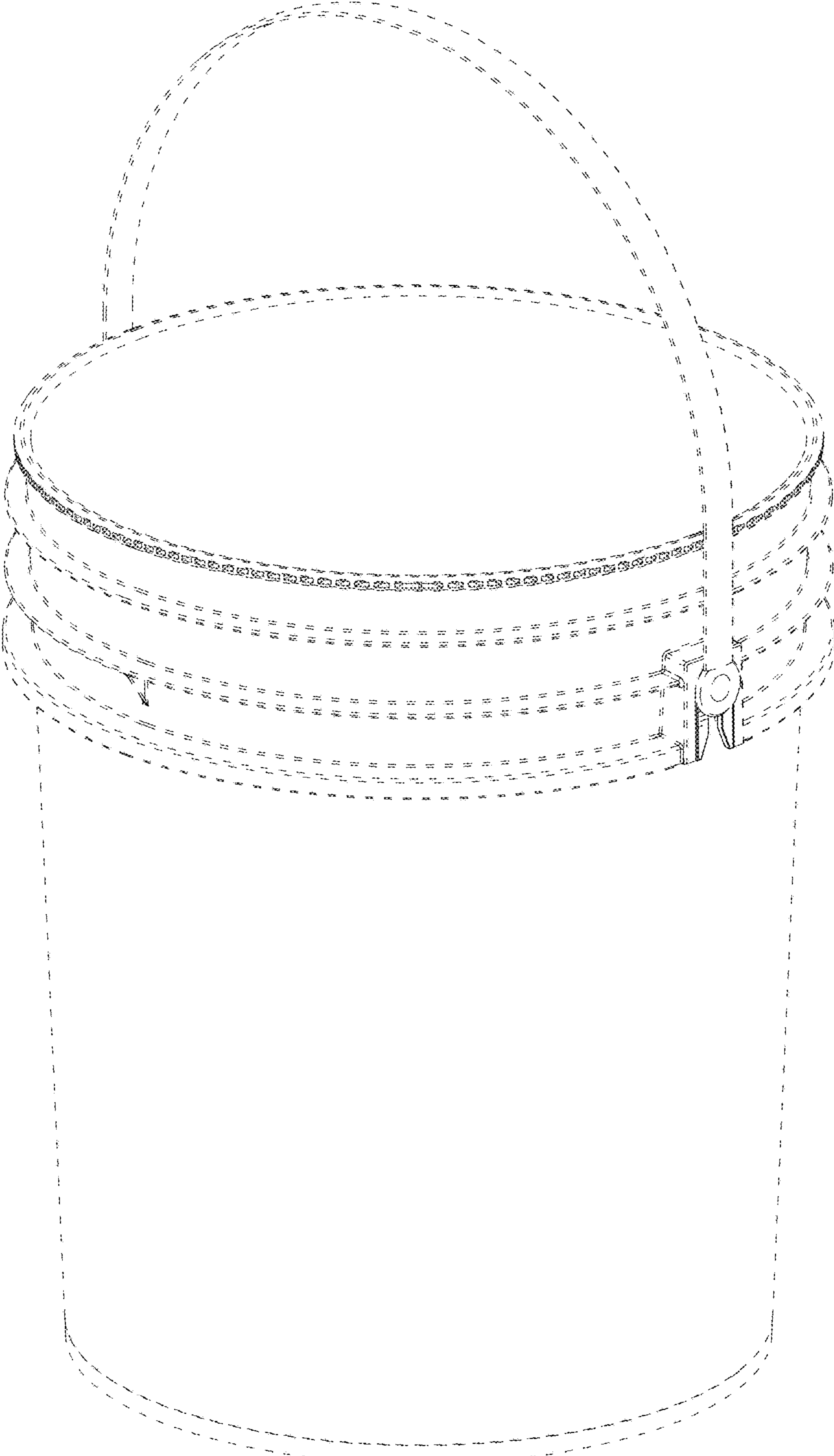


FIG. 1

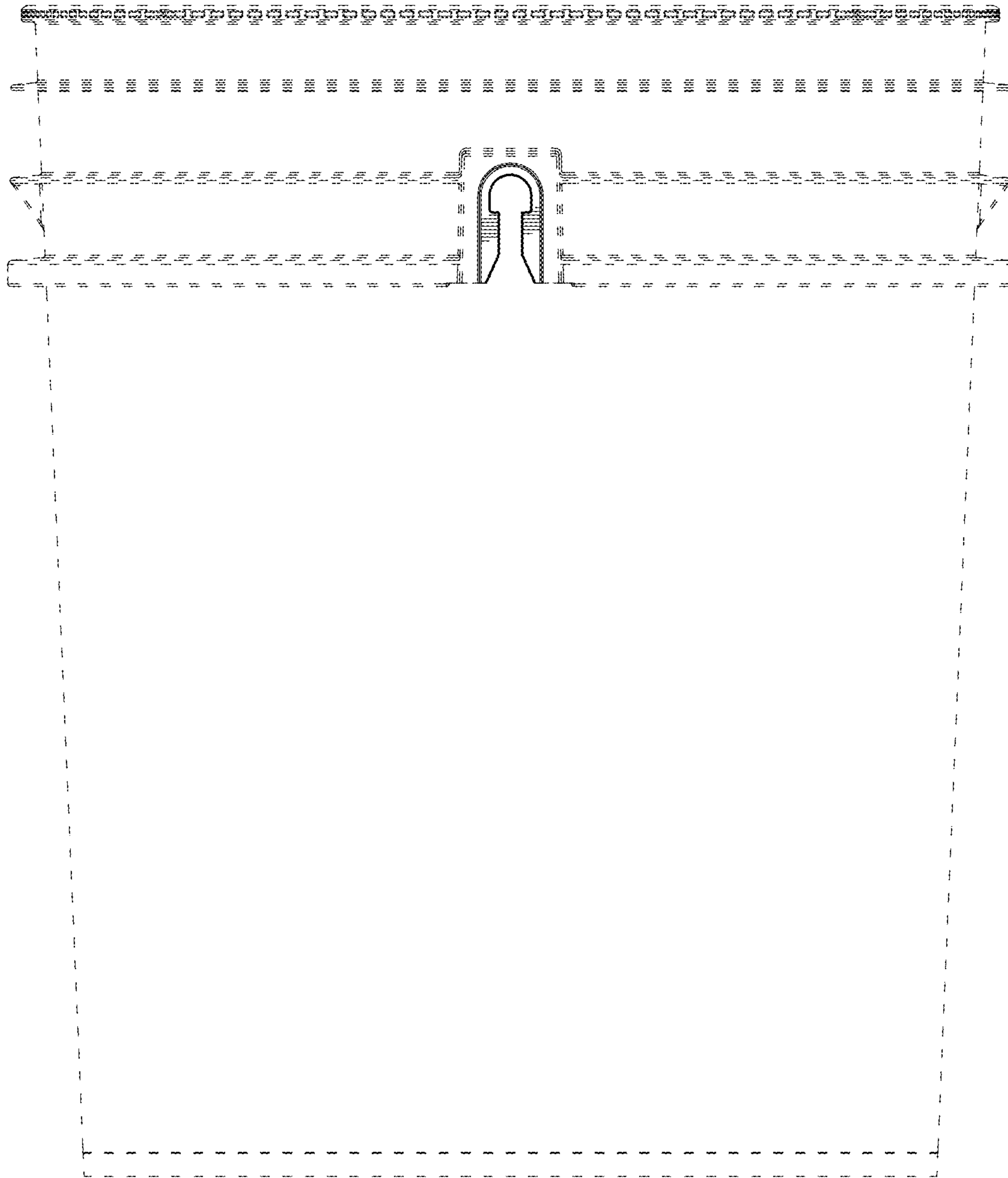


FIG. 2

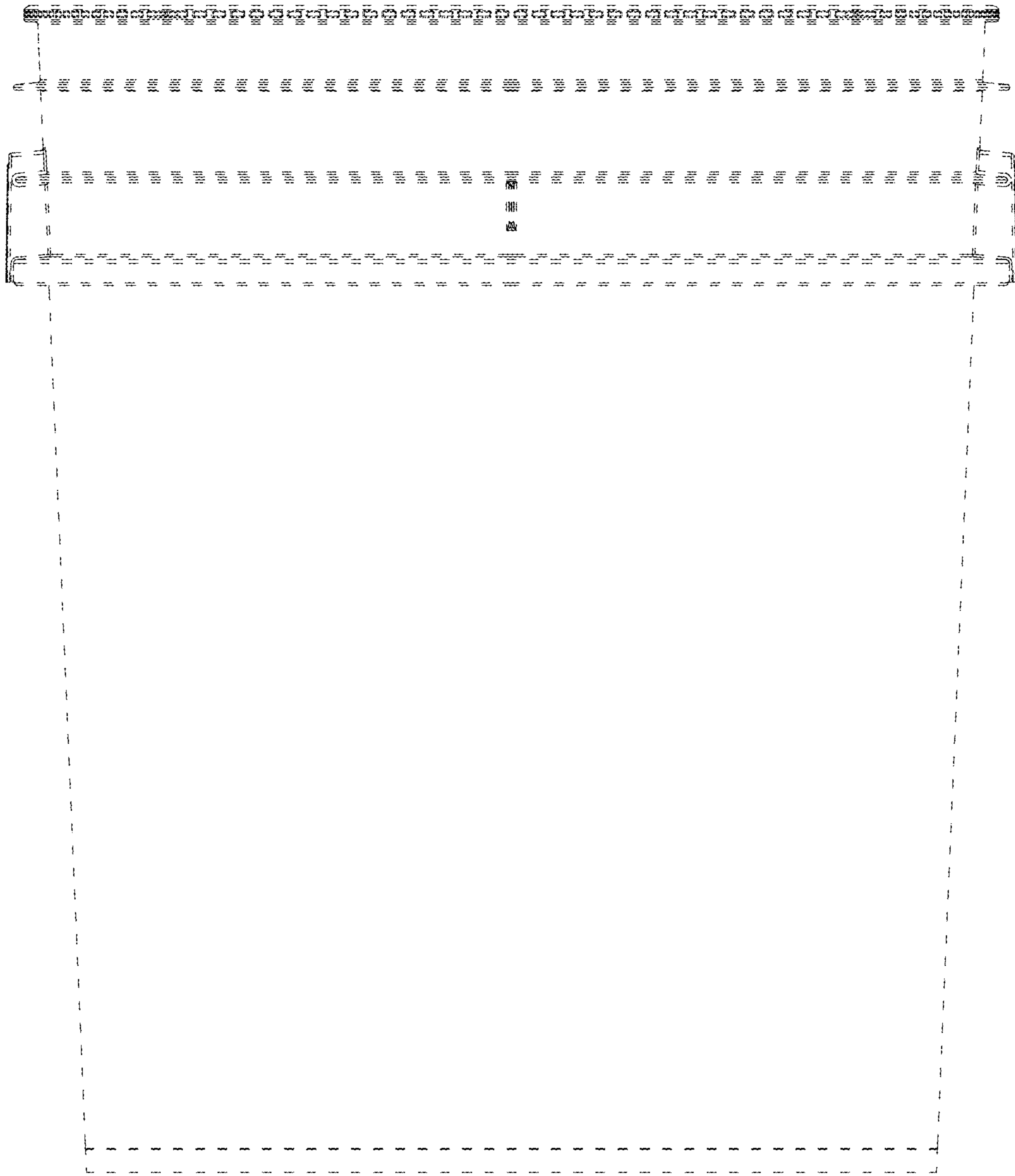


FIG. 3

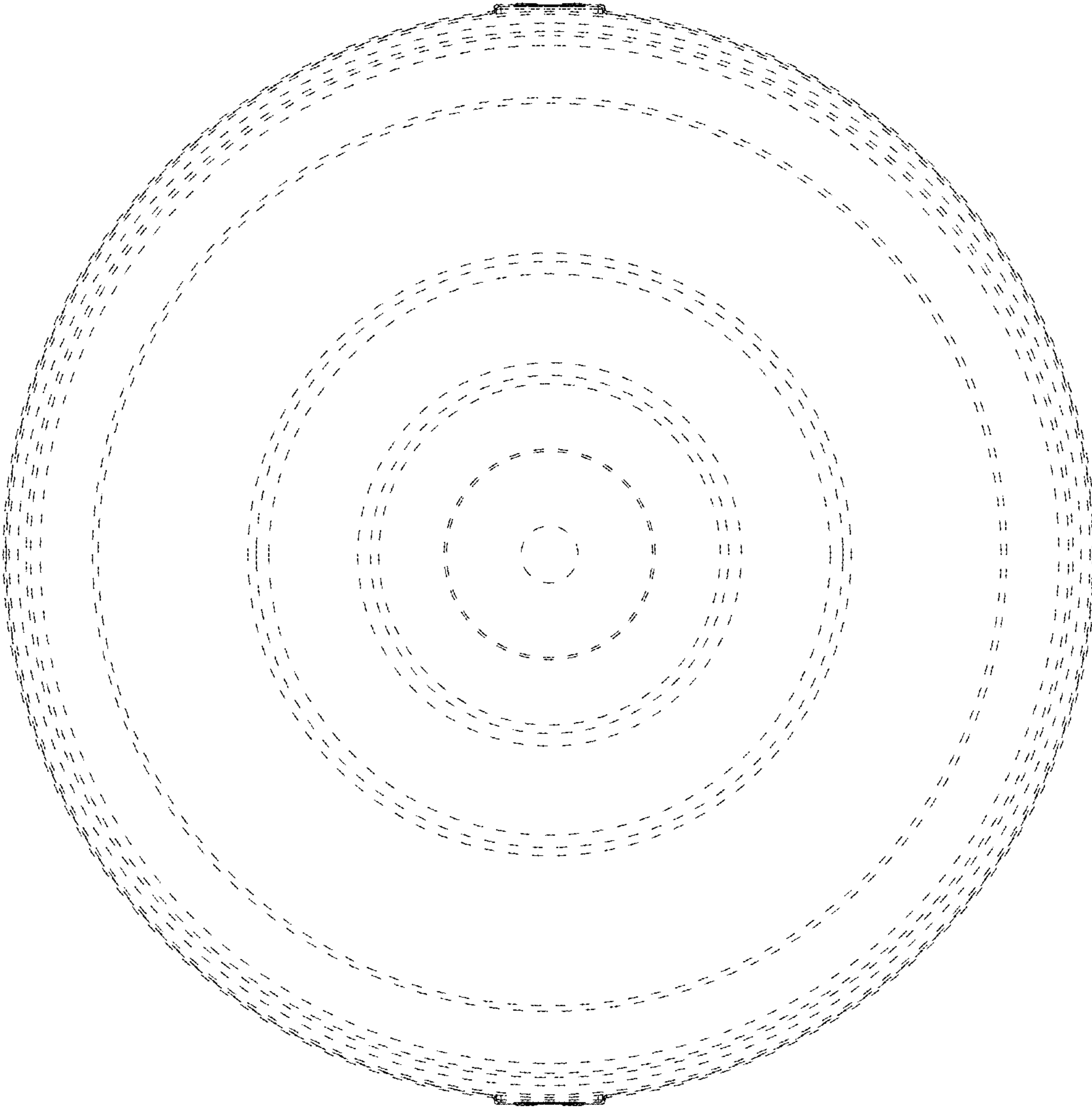


FIG. 4

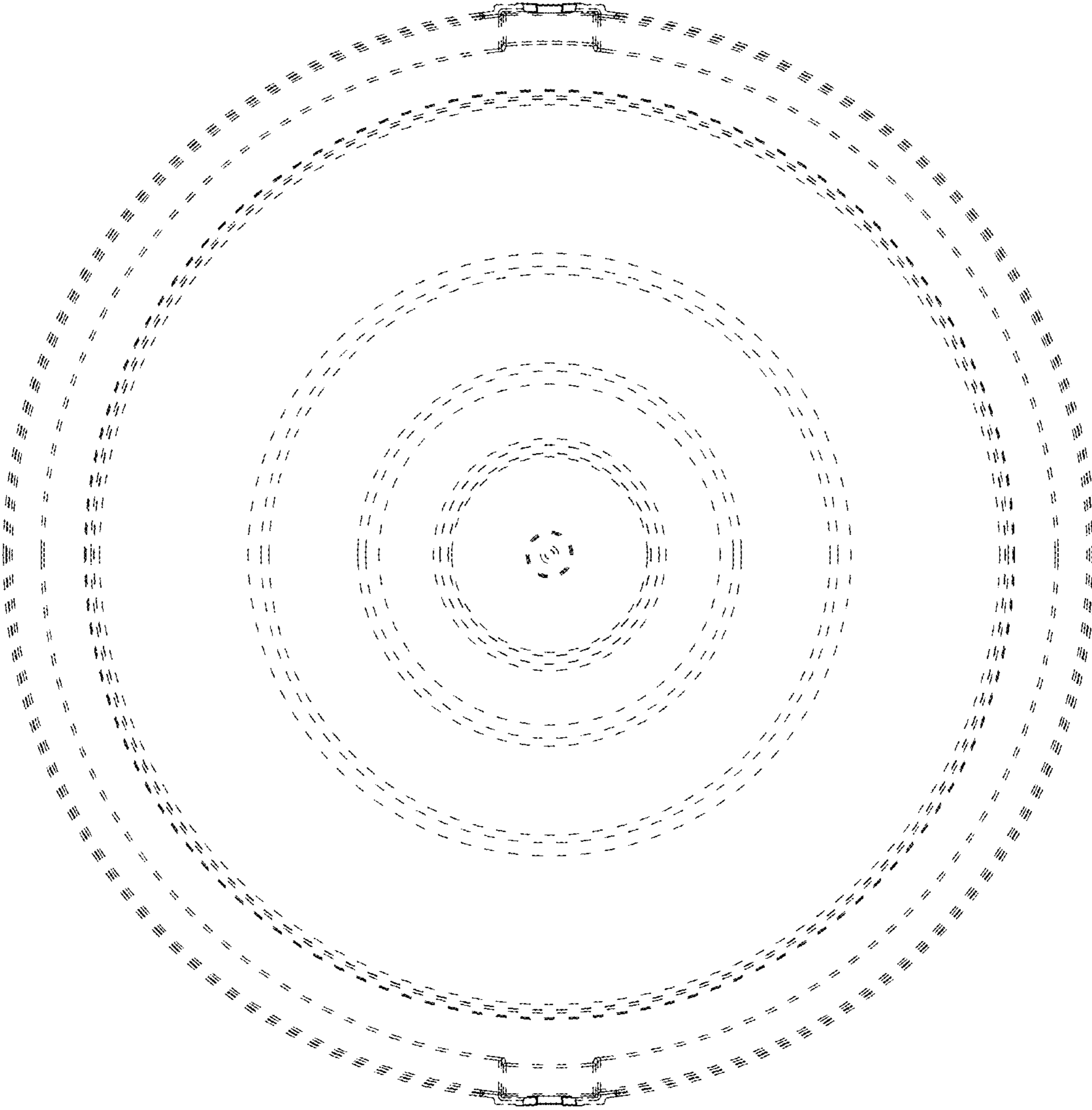


FIG. 5