



US00D881493S

(12) **United States Design Patent** (10) **Patent No.:** **US D881,493 S**
Lee et al. (45) **Date of Patent:** **** Apr. 14, 2020**

(54) **BRUSH FOR CLEANER**

FOREIGN PATENT DOCUMENTS

(71) Applicant: **Samsung Electronics Co., Ltd.**,
Suwon-si (KR)

KR	300882526	7/2017
KR	300882527	7/2017
KR	300918537	9/2017
KR	300918538	9/2017

(72) Inventors: **Hwandong Lee**, Seoul (KR);
Hyoungsub Choi, Goyang-si (KR)

OTHER PUBLICATIONS

(73) Assignee: **SAMSUNG ELECTRONICS CO., LTD.**,
Gyeonggi-Do (KR)

Internet Newspaper, Posted Apr. 3, 2018, pp. 1-3, Retrieved from the Internet Sep. 10, 2018 <URL:http://www.ekn.kr/news/article_print.html?no=353392>.

(**) Term: **15 Years**

* cited by examiner

(21) Appl. No.: **29/675,173**

Primary Examiner — Ruth McInroy

(22) Filed: **Dec. 28, 2018**

(74) *Attorney, Agent, or Firm* — Cantor Colburn LLP

(30) **Foreign Application Priority Data**

(57) **CLAIM**

Aug. 29, 2018 (KR) 30-2018-0040345

The ornamental design for a brush for cleaner, as shown and described.

(51) **LOC (12) Cl.** **15-05**

DESCRIPTION

(52) **U.S. Cl.**
USPC **D32/33**

(58) **Field of Classification Search**
USPC D32/17, 31-34, 19-20, 22, 25, 40, 50
CPC . A47L 9/02; A47L 9/04; A47L 9/0461; A47L
5/26; A47L 5/28; A47L 11/4044
See application file for complete search history.

FIG. 1 is a front perspective view of a brush for cleaner, showing our new design;
FIG. 2 is a front view thereof;
FIG. 3 is a rear view thereof;
FIG. 4 is a left-side view thereof;
FIG. 5 is a right-side view thereof;
FIG. 6 is a top view thereof;
FIG. 7 is a bottom view thereof;
FIG. 8 is an enlarged view of the portion '8' in FIG. 1; and,
FIG. 9 is an enlarged view of the portion '9' in FIG. 1.
The dot-dot-dash broken lines encircling enlargement portions of the design form no part of the claimed design. The dot-dash broken lines in the figures represent a boundary of the claimed design and form no part of the claimed design. The broken lines illustrating portions of the brush for cleaner form no part of the claimed design.

(56) **References Cited**

U.S. PATENT DOCUMENTS

D600,869 S	9/2009	Dyson et al.	
D649,725 S *	11/2011	Fjellman	D32/32
D686,379 S *	7/2013	Kim	D32/32
D762,031 S *	7/2016	Niedzwecki	D32/32
D770,711 S *	11/2016	Okada	D32/32
D775,443 S *	12/2016	Kwon	D32/33
D779,752 S *	2/2017	Johnson	D32/32
D796,136 S *	8/2017	Reynolds	D32/33
D828,968 S *	9/2018	Tokoi	D32/32
D846,821 S *	4/2019	Palladino	D32/32

1 Claim, 7 Drawing Sheets

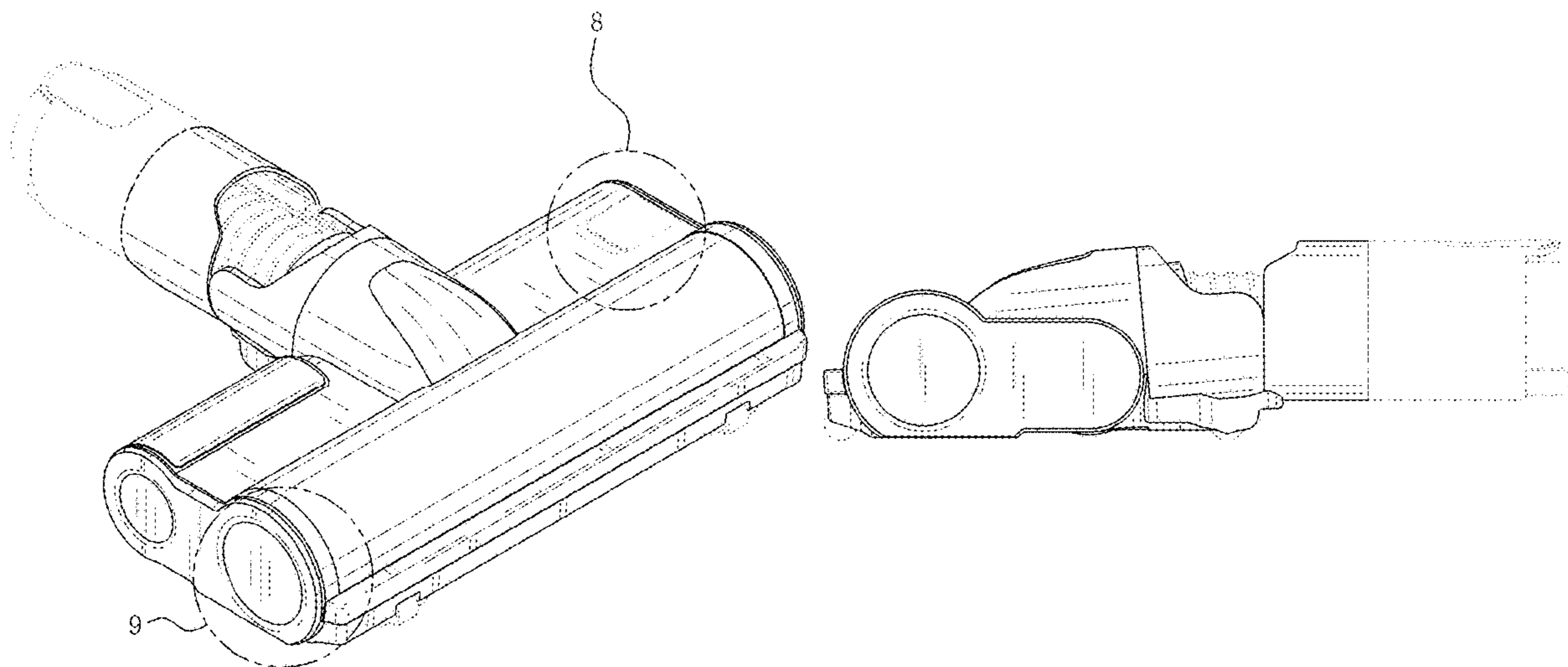


FIG. 1

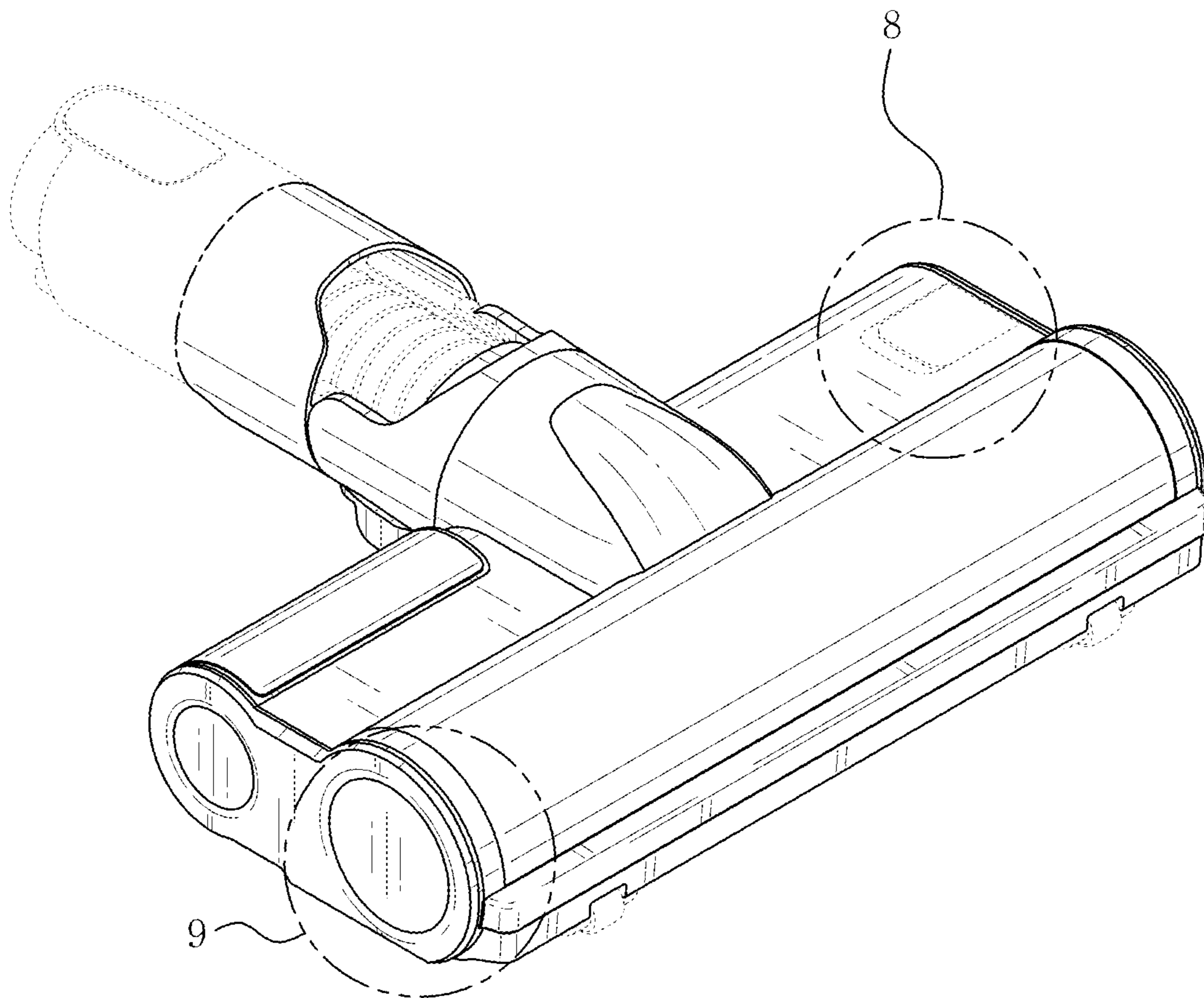


FIG. 2

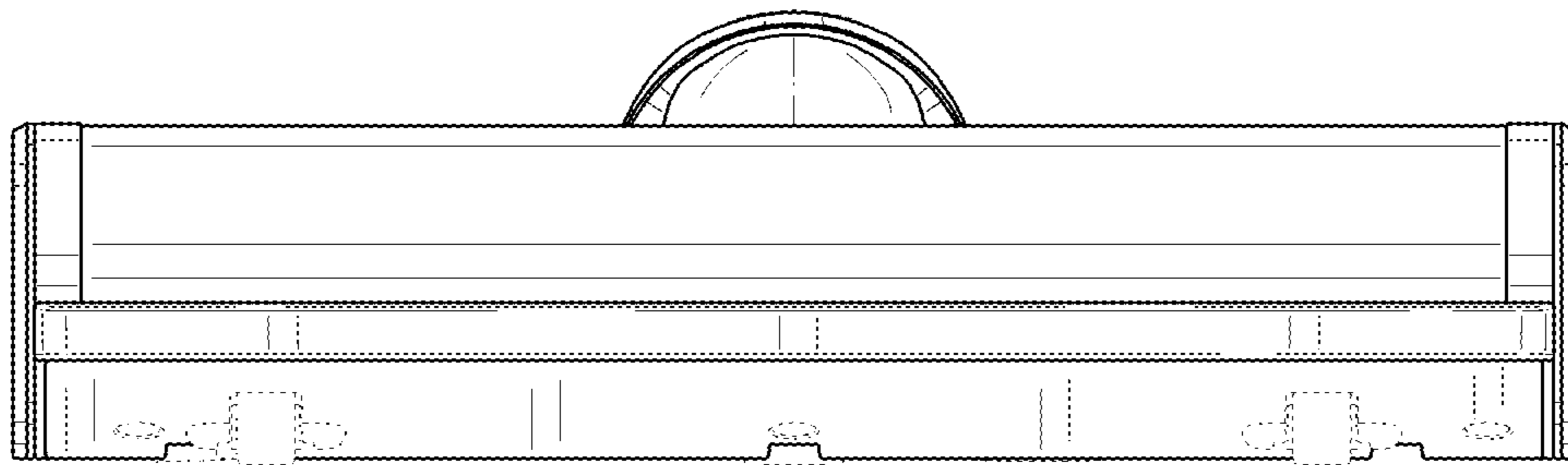


FIG. 3

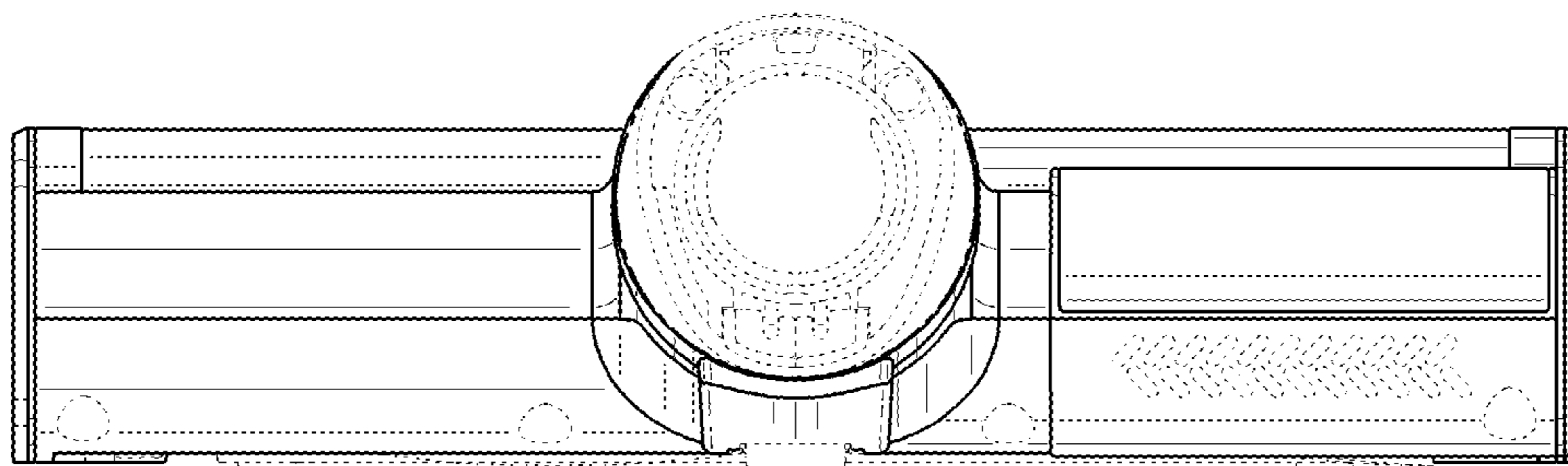


FIG. 4

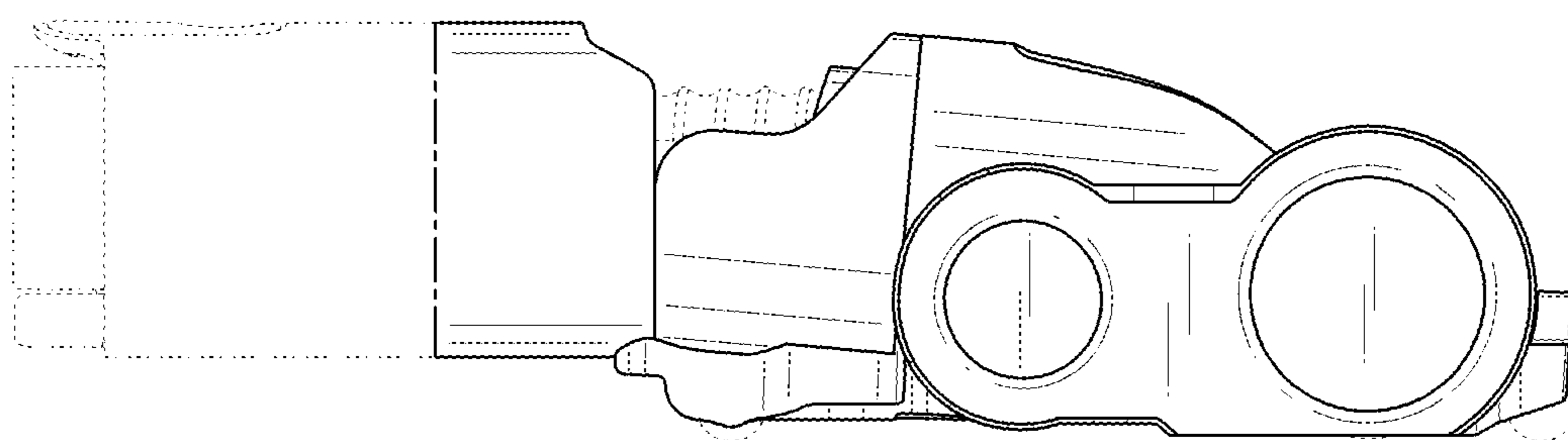


FIG. 5

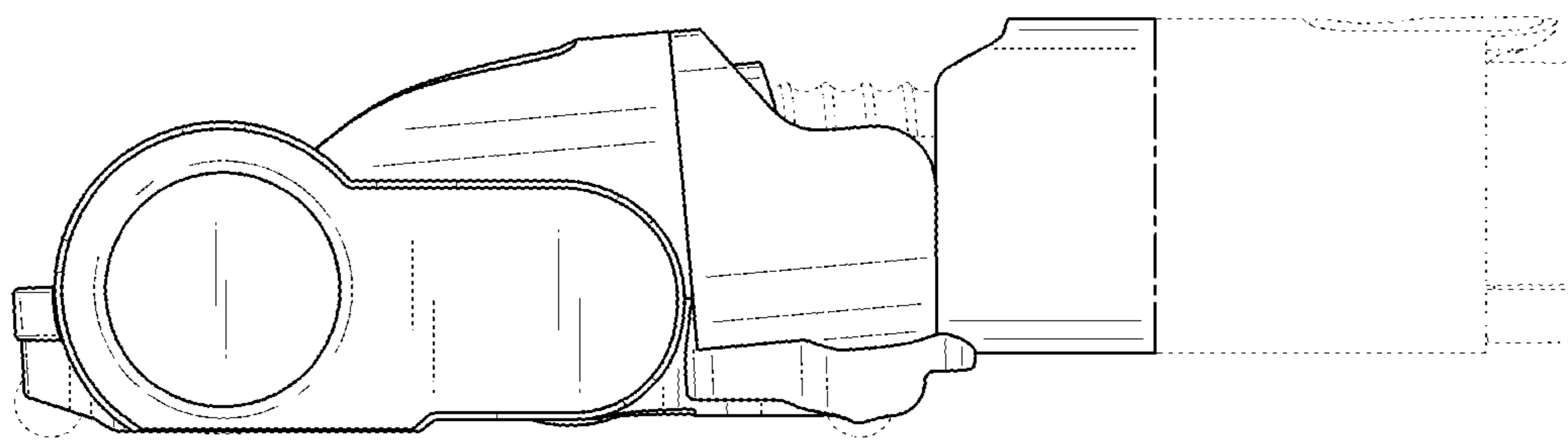


FIG. 6

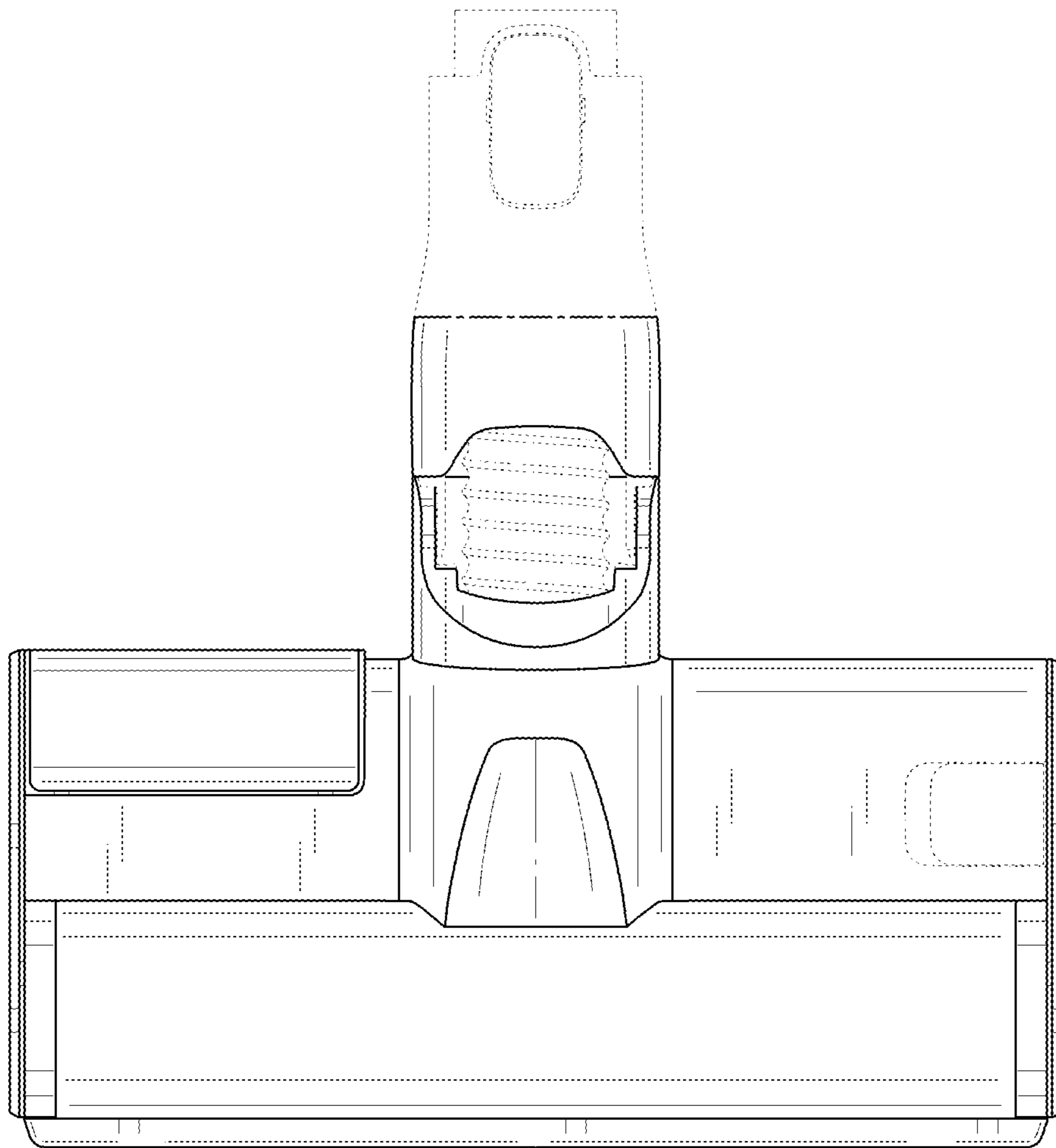


FIG. 7

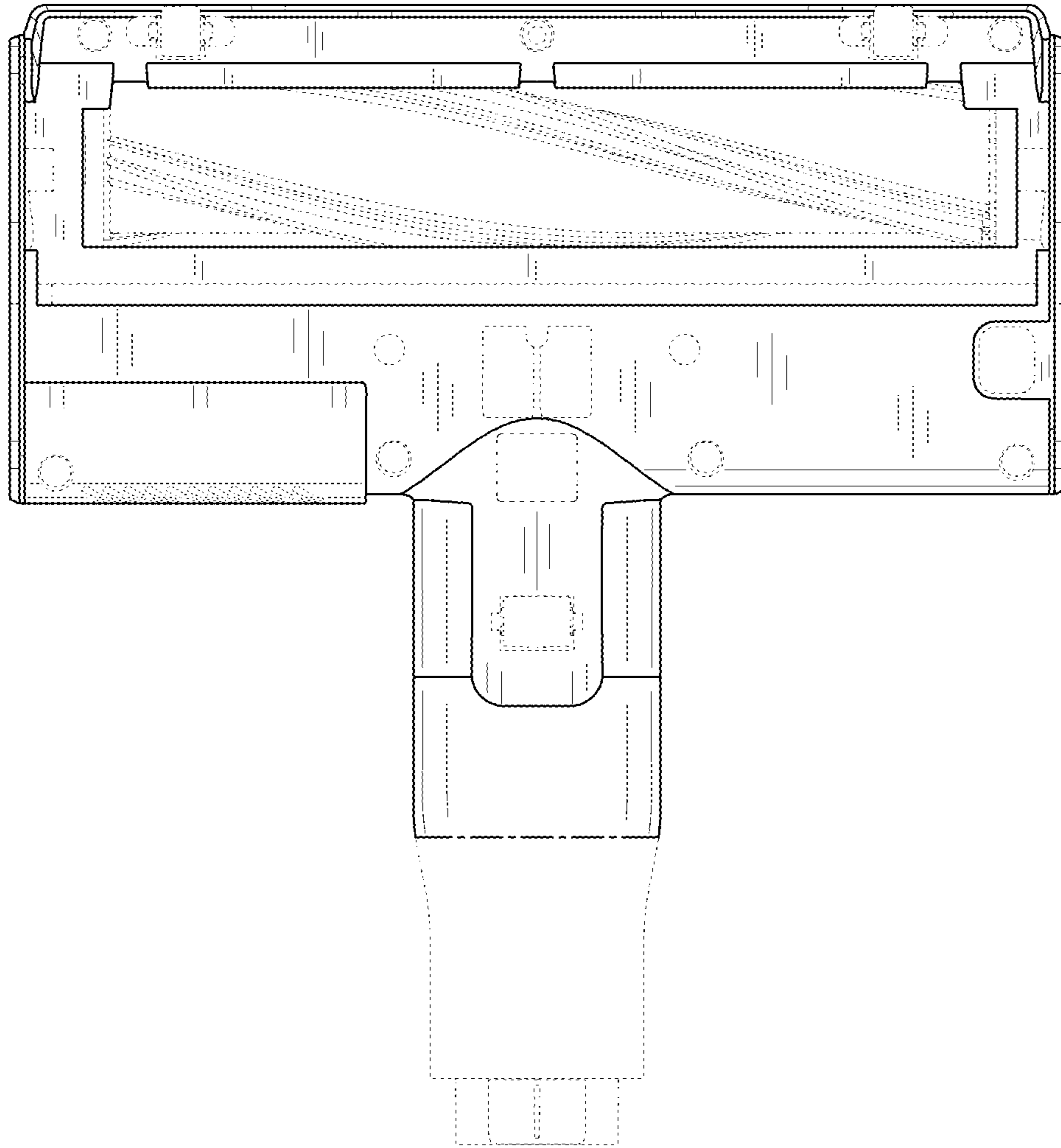


FIG. 8

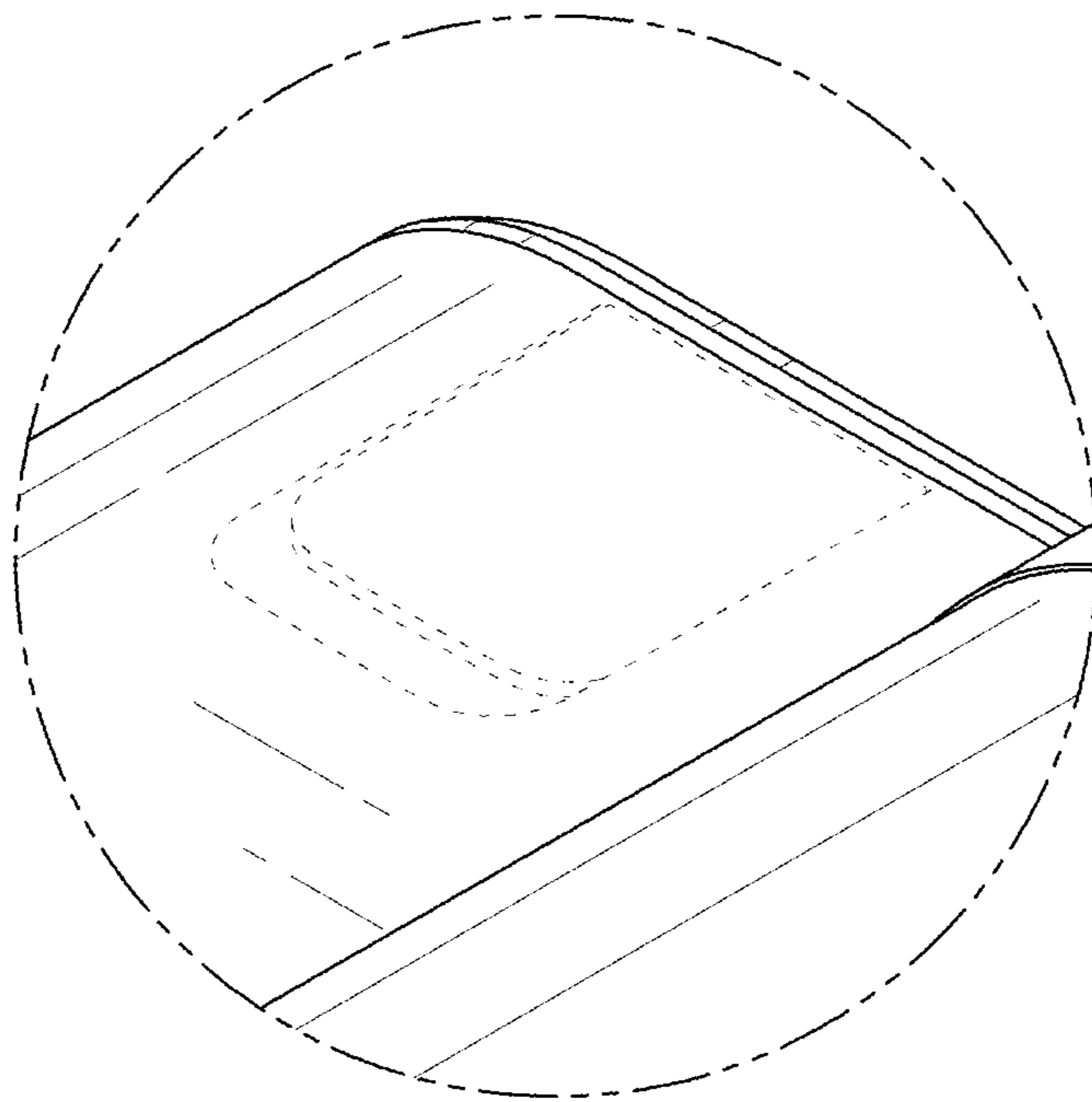


FIG. 9

