



US00D881492S

(12) **United States Design Patent**
Käcker et al.

(10) **Patent No.:** **US D881,492 S**
(45) **Date of Patent:** **** Apr. 14, 2020**

(54) **FLOOR POLISHING MACHINE**

(71) Applicant: **HUSQVARNA AB**, Huskvarna (SE)
(72) Inventors: **David Käcker**, Norrköping (SE);
Daniel Gustavsson, Söderköping (SE);
Fredrik Andersson, Göteborg (SE);
Magnus Grettve, Göteborg (SE); **Ivar**
Frischer, Göteborg (SE); **Matias**
Cindric, Mölndal (SE)

(73) Assignee: **Husqvarna AB**, Huskvarna (SE)

(**) Term: **15 Years**

(21) Appl. No.: **29/586,980**

(22) Filed: **Dec. 8, 2016**

(30) **Foreign Application Priority Data**

Jun. 9, 2016 (EM) 003182641-0001
Jun. 9, 2016 (EM) 003182641-0002

(51) **LOC (12) Cl.** **15-05**

(52) **U.S. Cl.**
USPC **D32/15**

(58) **Field of Classification Search**
USPC D32/35, 20, 15; D15/199; 15/29, 49.1,
15/245, 98, 260

(Continued)

(56) **References Cited**

U.S. PATENT DOCUMENTS

D178,848 S * 9/1956 Pond D32/19
D221,347 S * 8/1971 Albers D32/19

(Continued)

FOREIGN PATENT DOCUMENTS

CN 303591301 * 2/1917
KR 300890611 * 1/2017

OTHER PUBLICATIONS

Floor Polishing Machine posted by Sunny Yang posted date Apr. 25, 2016, © YouTube, [online],[site visited Feb. 13, 2018]. Available from Internet, <https://www.youtube.com/watch?v=FSX3NRHt2d0> (Year: 2016).*

(Continued)

Primary Examiner — Michael C Stout

Assistant Examiner — Laura H Yu

(74) *Attorney, Agent, or Firm* — Burr & Forman LLP

(57) **CLAIM**

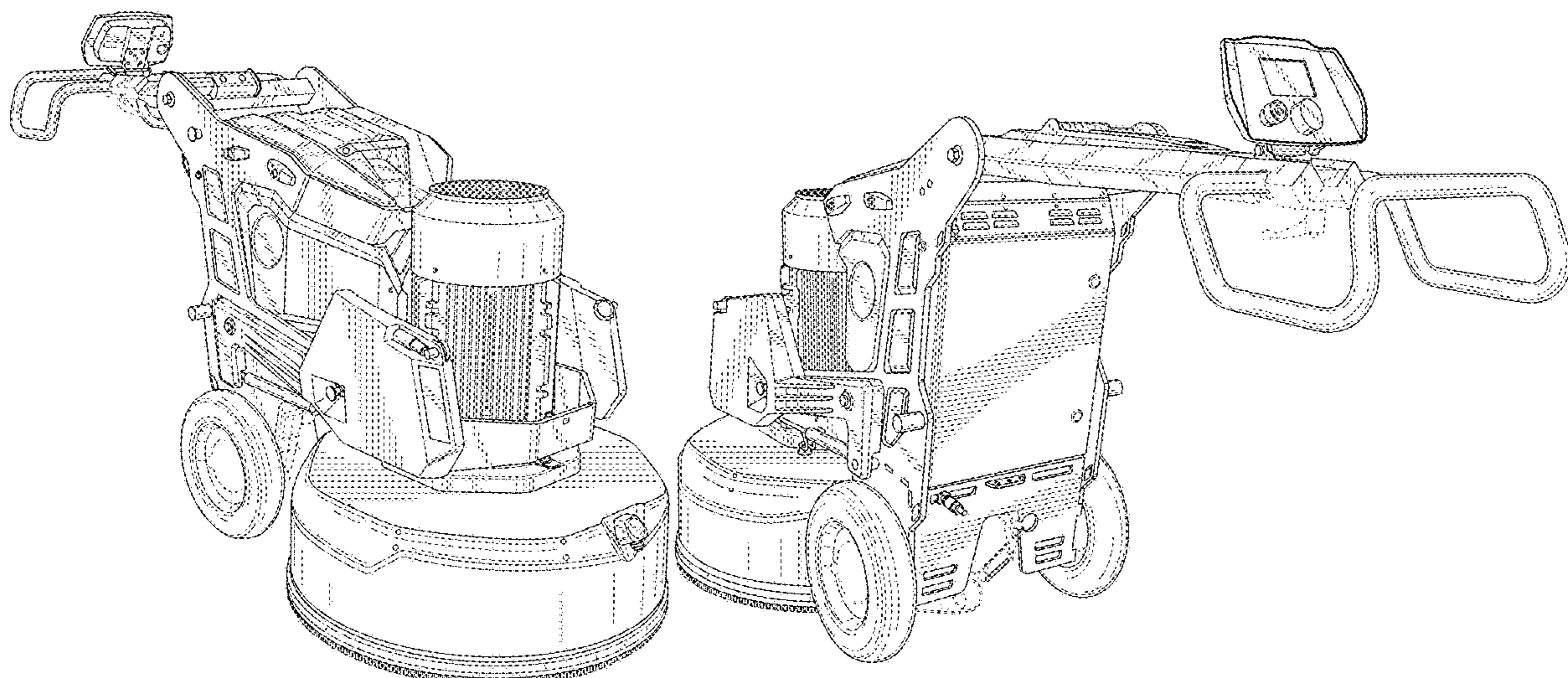
We claim the ornamental design for a floor polishing machine, as shown and described.

DESCRIPTION

FIG. 1 is a right front perspective view of a floor polishing machine in a first position showing our new design;
FIG. 2 is a left rear perspective view thereof;
FIG. 3 is a front perspective view thereof;
FIG. 4 is a rear perspective view thereof;
FIG. 5 is a top plan view thereof;
FIG. 6 is a bottom plan view thereof;
FIG. 7 is a left side elevation view thereof;
FIG. 8 is a right side elevation view thereof;
FIG. 9 is a right side elevation view in a second position thereof;
FIG. 10 is a right side elevation view in a third position thereof;
FIG. 11 is a right side elevation view in a fourth position thereof;
FIG. 12 is a right side elevation view in a fifth position thereof; and,
FIG. 13 is a right side elevation view in a sixth position thereof.

The broken lines in the figures show portions of the floor polishing machine that form no part of the claimed design.

1 Claim, 13 Drawing Sheets



(58) **Field of Classification Search**

CPC A47L 7/0028; A47L 11/03; A47L 11/4038;
A47L 11/305; A47L 11/34; A47L 11/085;
A47L 11/14

See application file for complete search history.

2016/0031061 A1* 2/2016 Truong B24B 47/12
451/353
2016/0332276 A1* 11/2016 Bergstrand A47L 11/4038
2017/0219017 A1* 8/2017 Bergstrand B24C 1/10
2017/0238779 A1* 8/2017 Berg A47L 11/4069

(56)

References Cited

U.S. PATENT DOCUMENTS

D284,413 S * 6/1986 Marshall D32/15
D332,158 S * 12/1992 Bothun D32/15
D341,913 S * 11/1993 Swan D32/15
D659,310 S * 5/2012 Dammkoehler D32/19
D756,576 S * 5/2016 Wang D32/15
2013/0042424 A1* 2/2013 Hruby A47L 11/1625
15/98
2013/0205533 A1* 8/2013 Durrant A47L 11/34
15/320
2015/0230681 A1* 8/2015 Delk A47L 11/14
451/59

OTHER PUBLICATIONS

HTC DURATIQ posted by HTC Floor Systems posted date Sep. 7, 2016, © YouTube, [online],[site visited Feb. 13, 2018]. <https://www.youtube.com/watch?v=nBA7tw5HHNs> (Year: 2016).*

HTC 800 RX posted by HTC Sweden AB posted date Jan. 18, 2012, © Cision News, [online],[site visited Feb. 13, 2018]. <http://news.cision.com/htc-sweden/i/htc-800-rx,c142069> (Year: 2012).*

HTC DURATIQ Explore the Features posted by HTC Floor Systems posted date Sep. 7, 2016, © YouTube, [online],[site visited Feb. 13, 2018]. <https://www.youtube.com/watch?v=nBA7tw5HHNs&t=102s> (Year: 2016).*

* cited by examiner

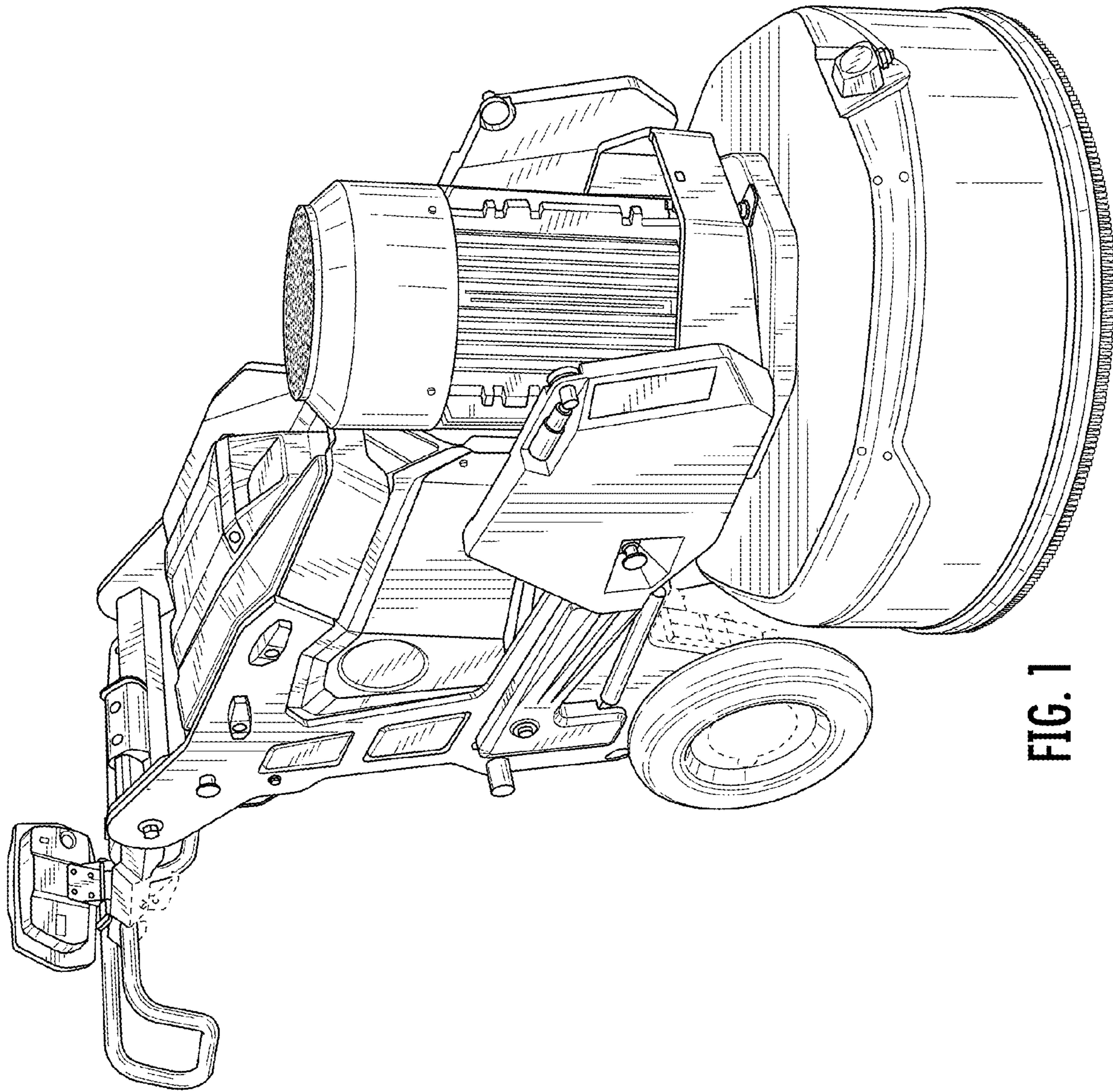


FIG. 1

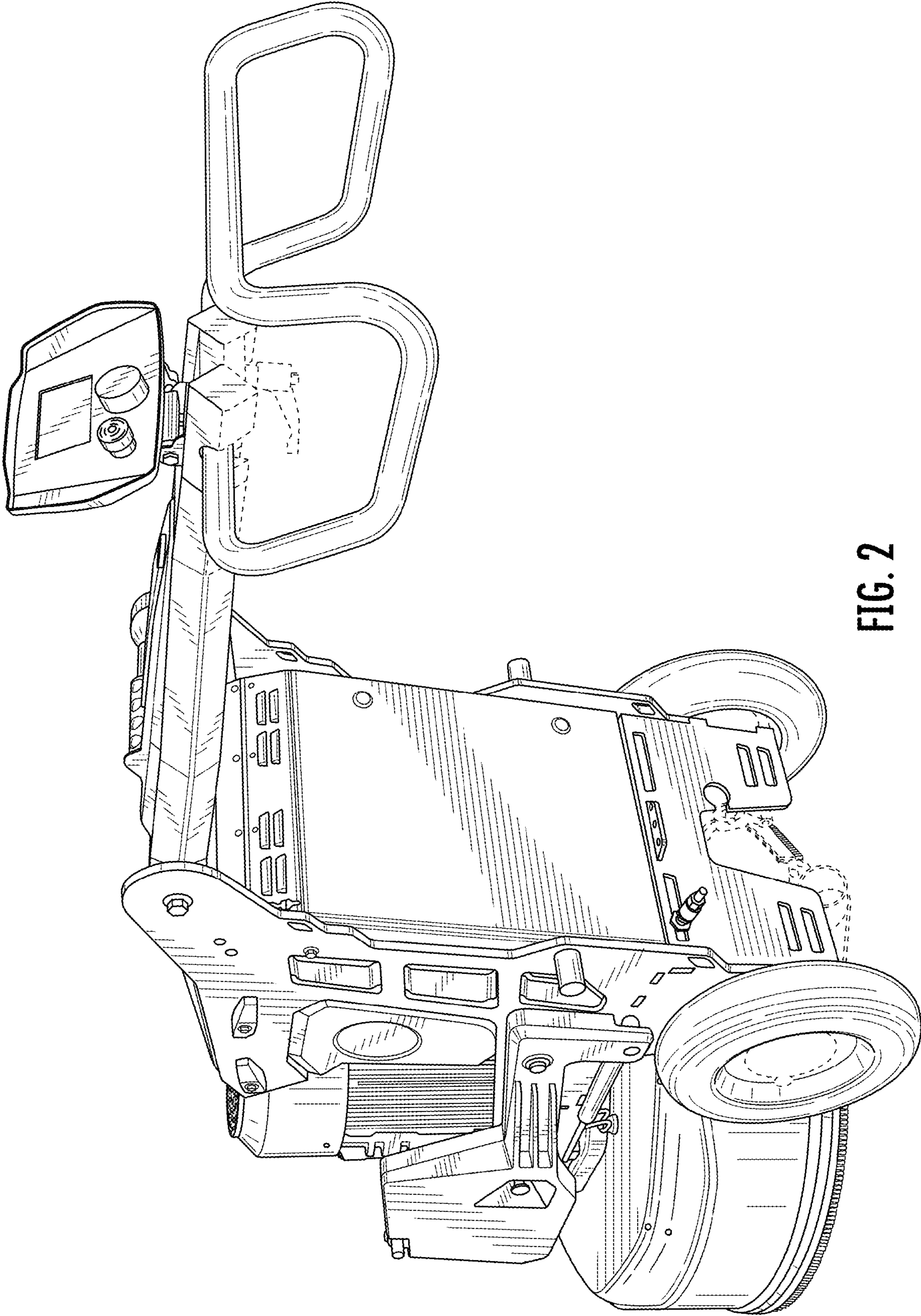


FIG. 2

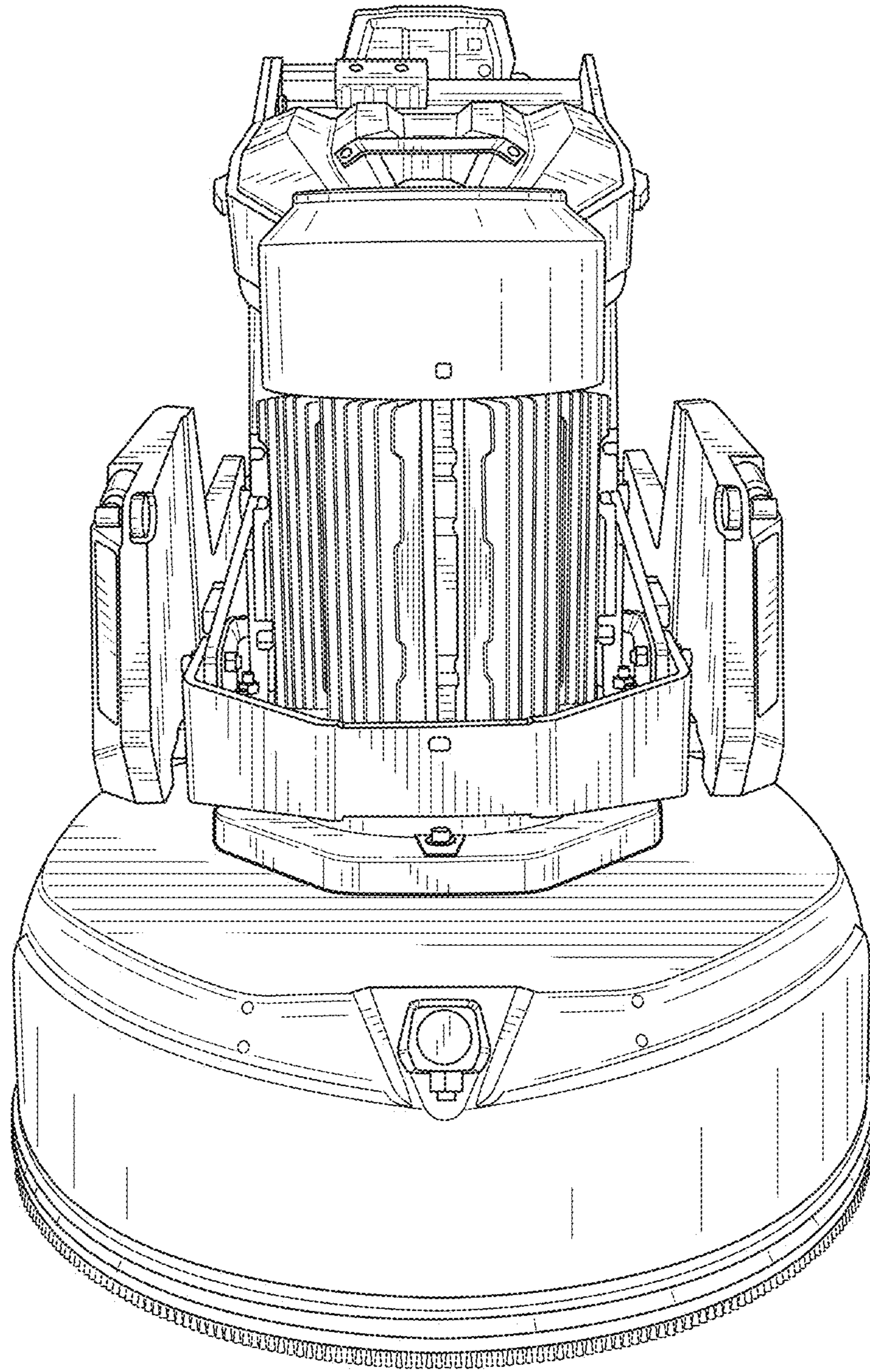


FIG. 3

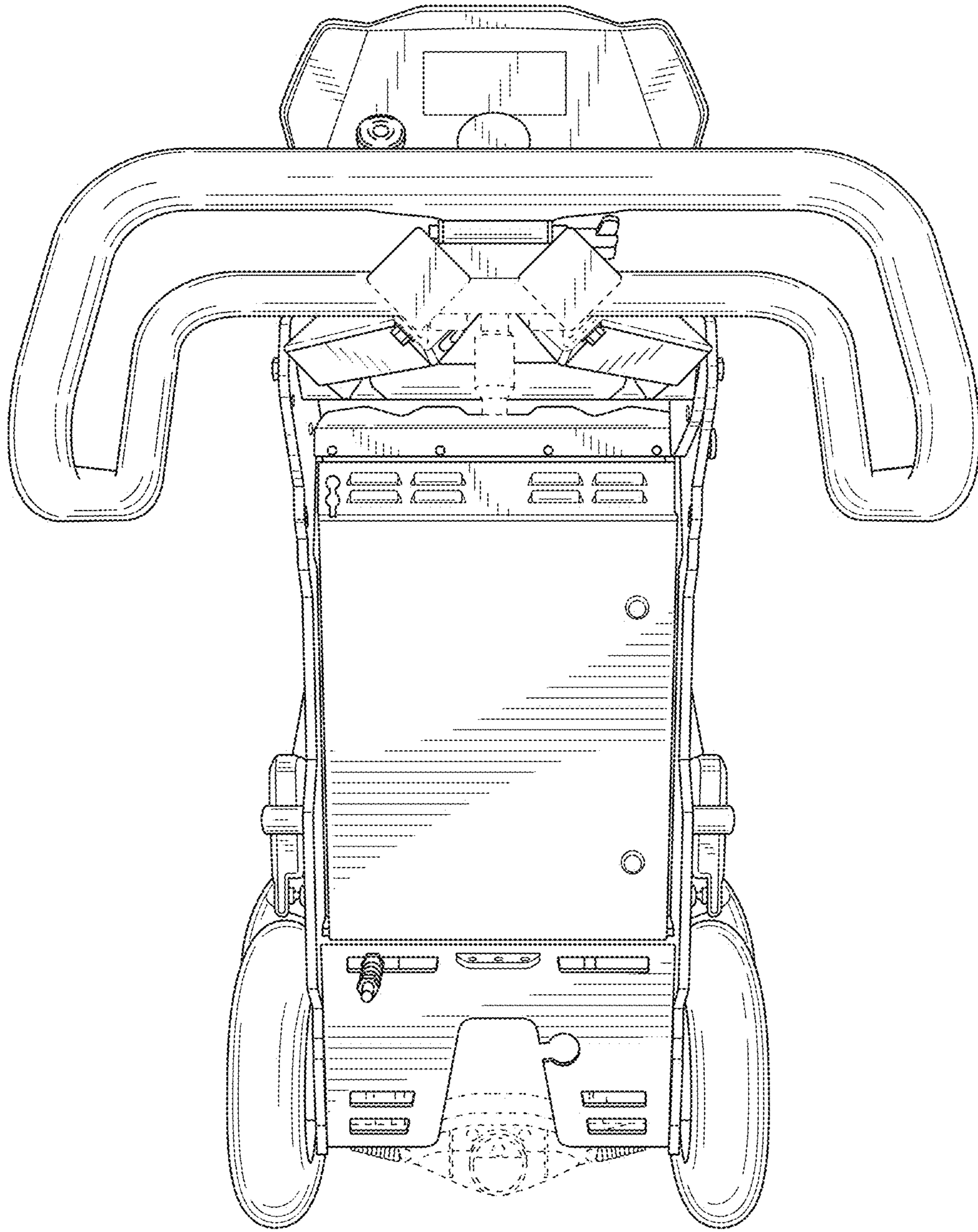


FIG. 4

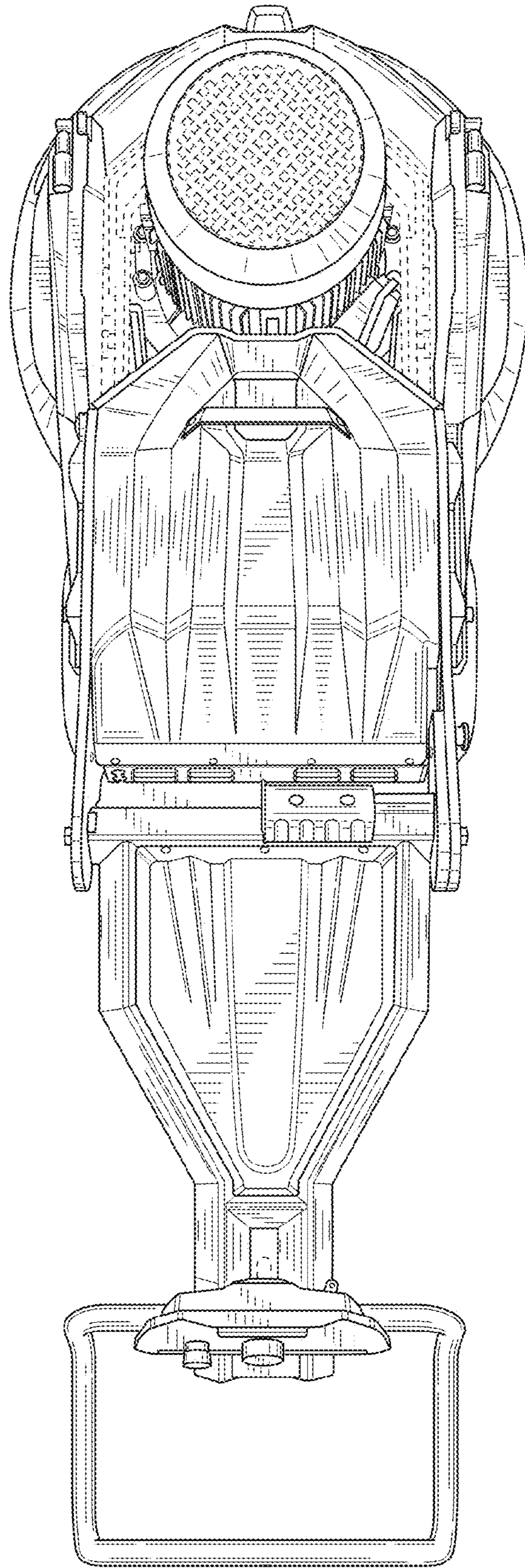


FIG. 5

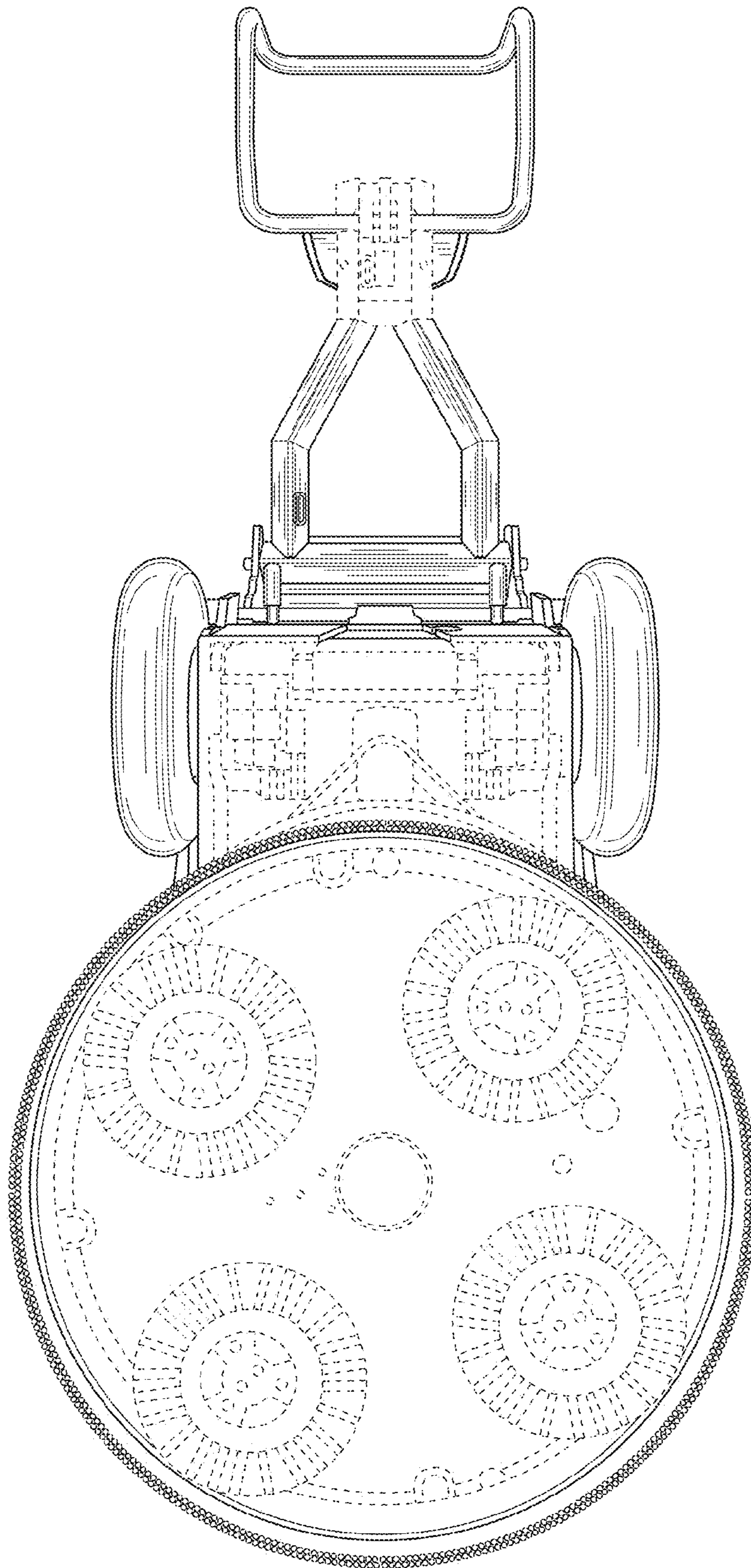


FIG. 6

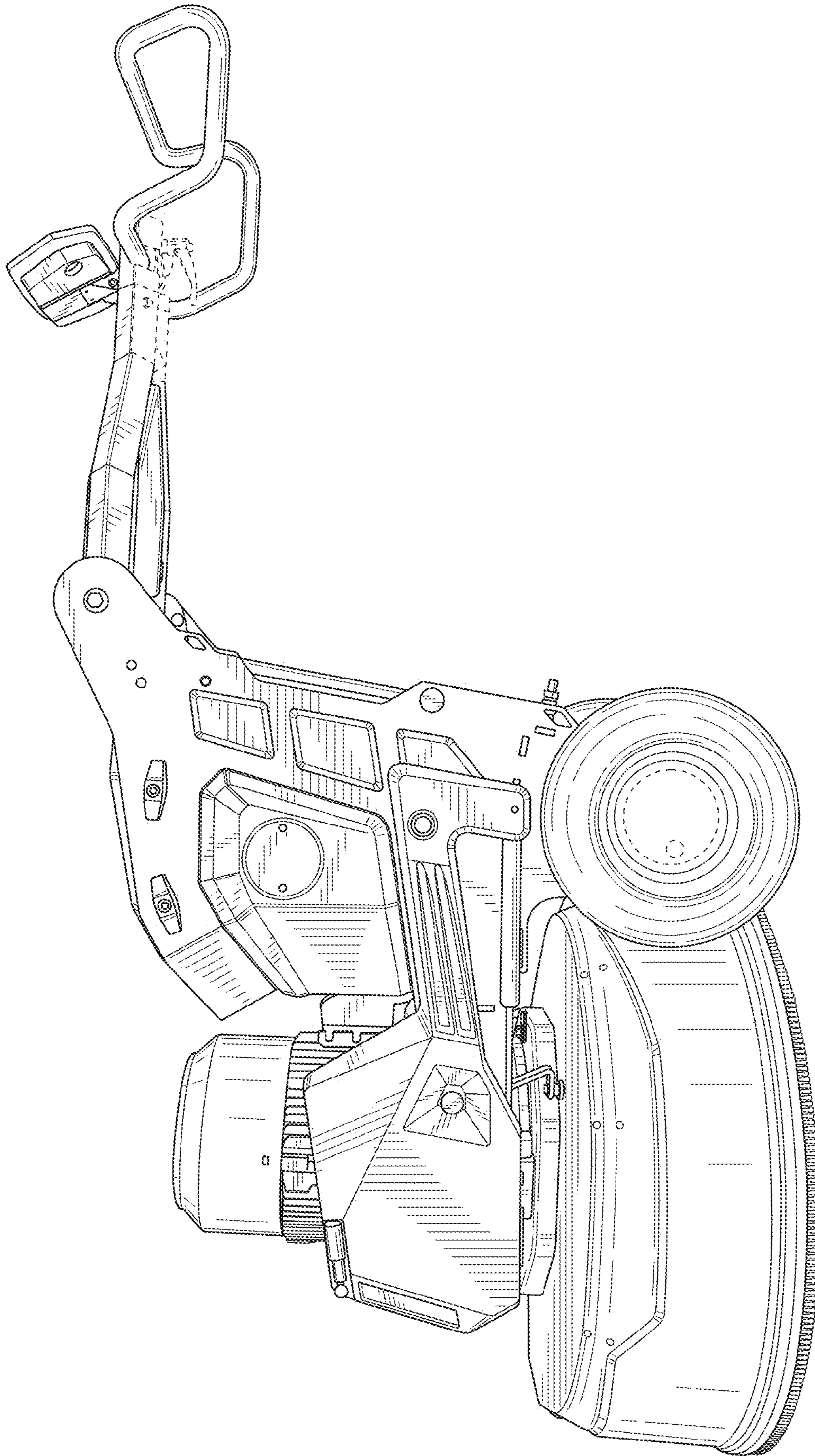


FIG. 7

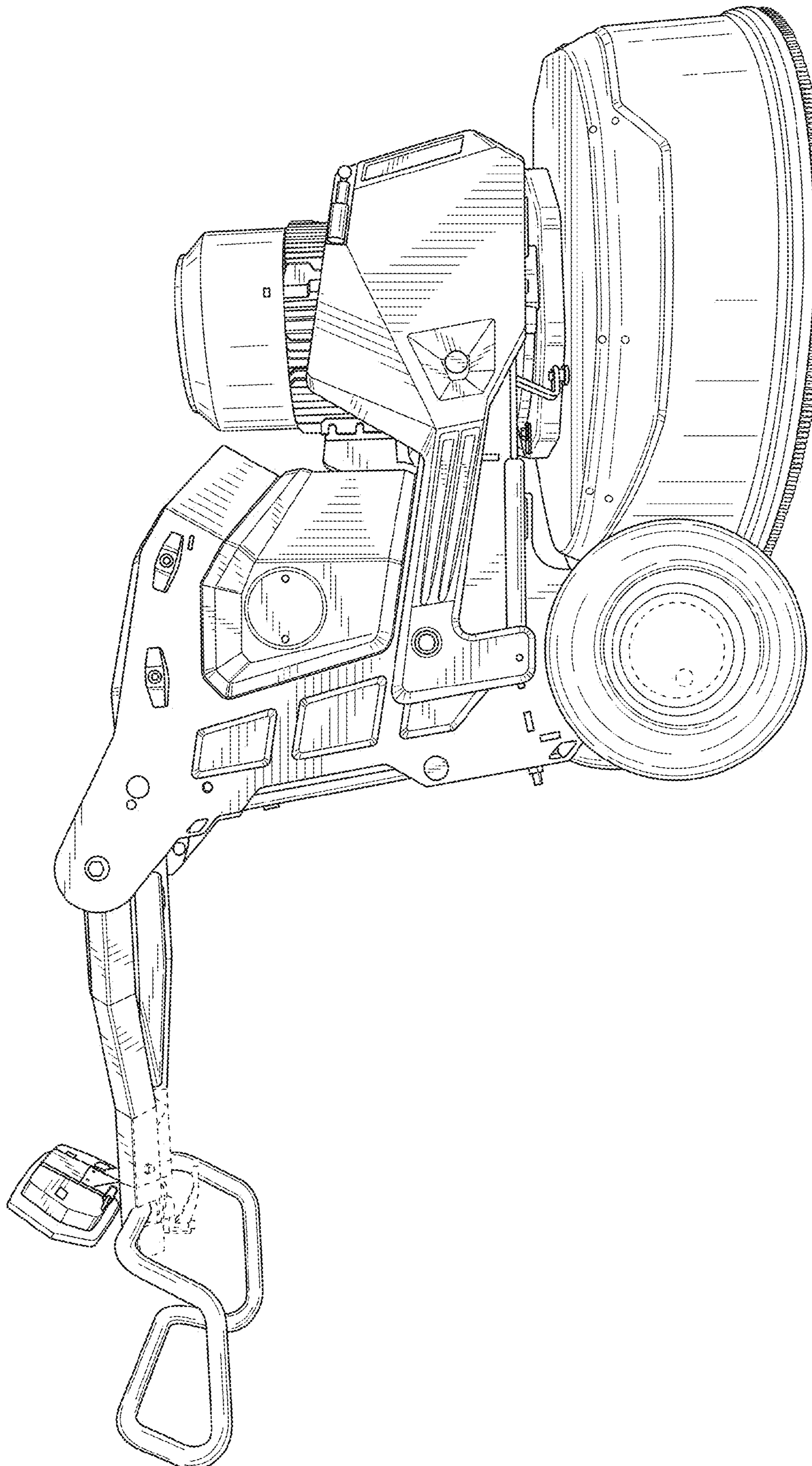


FIG. 8

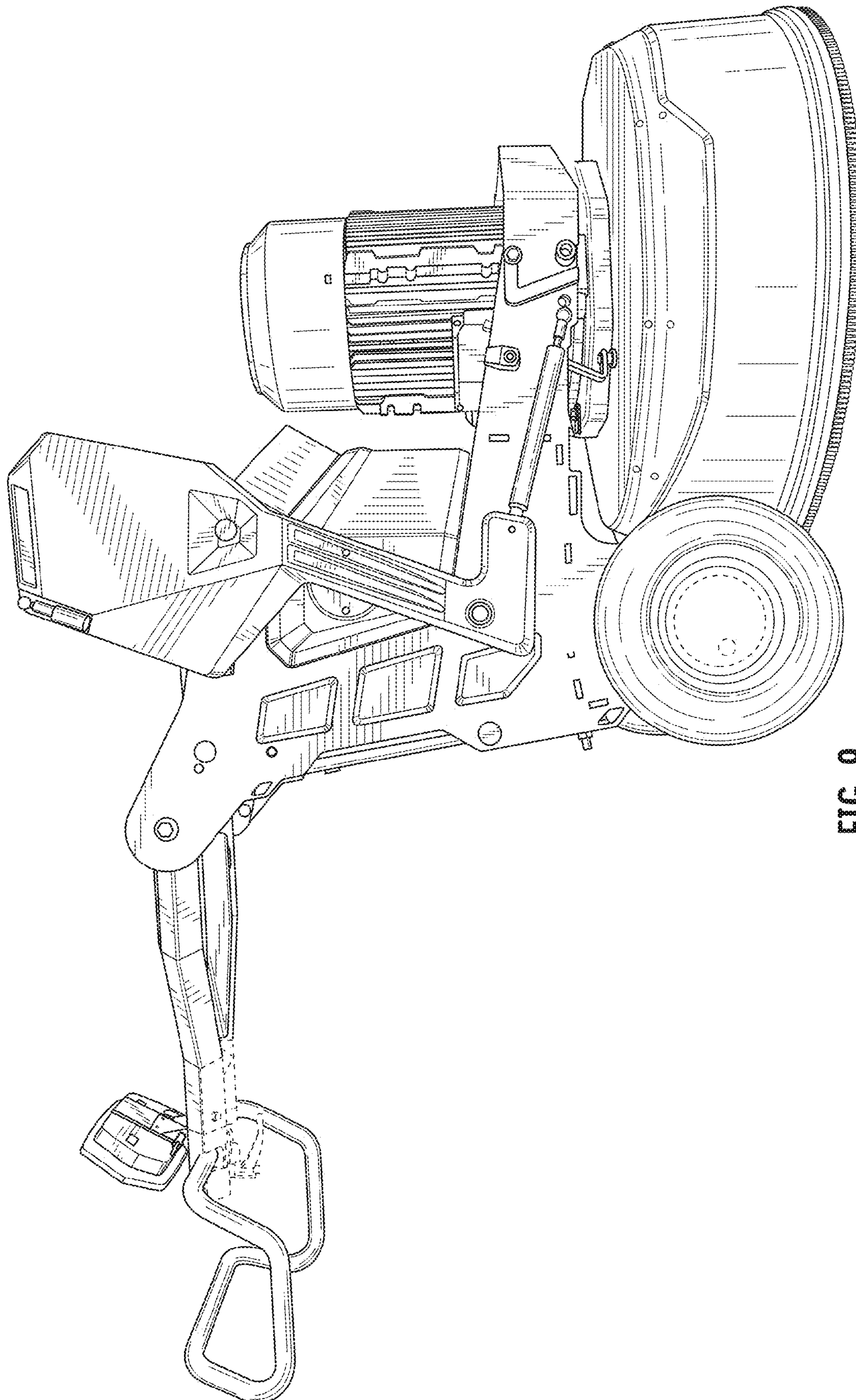


FIG. 9

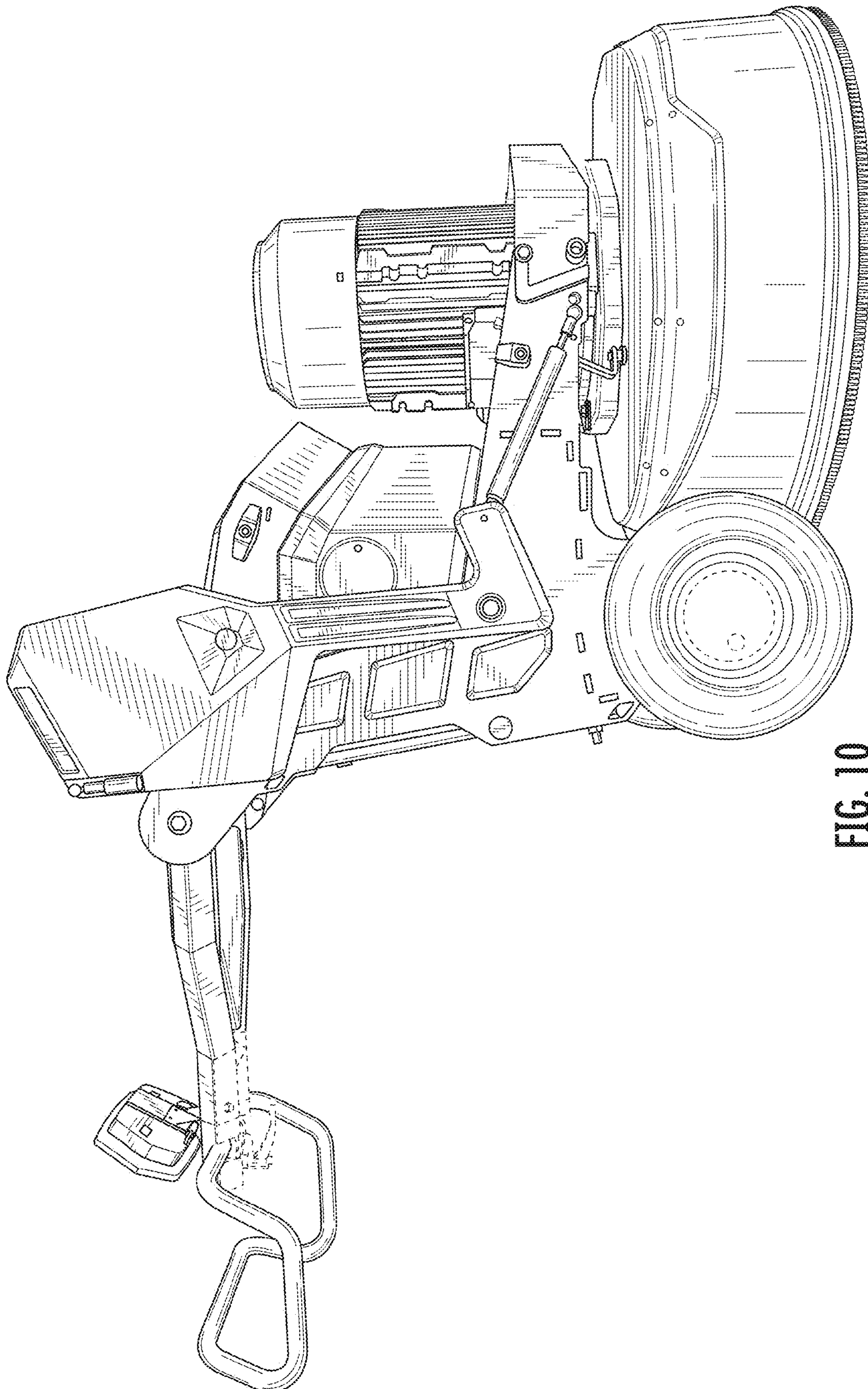


FIG. 10

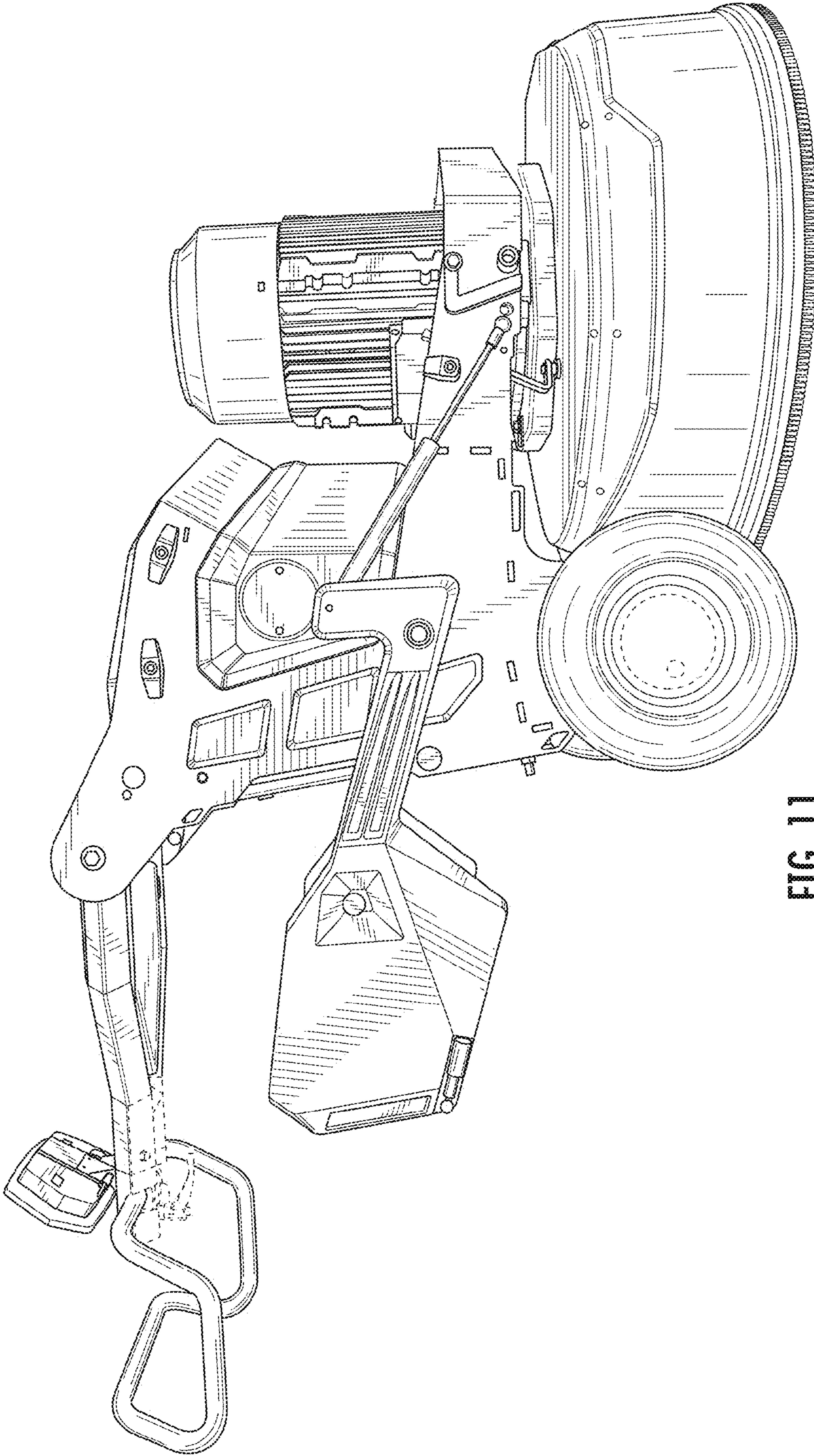


FIG. 11

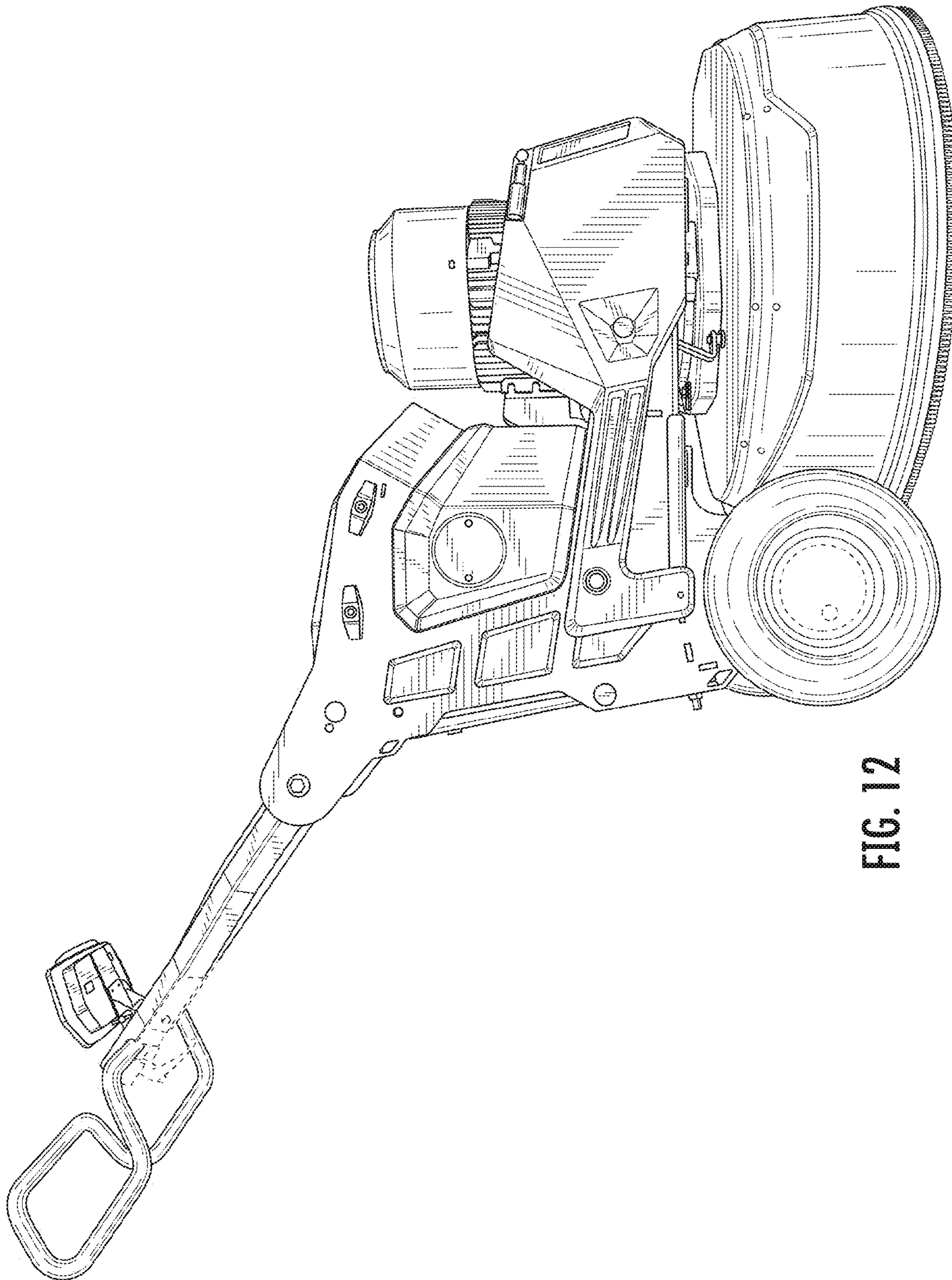


FIG. 12

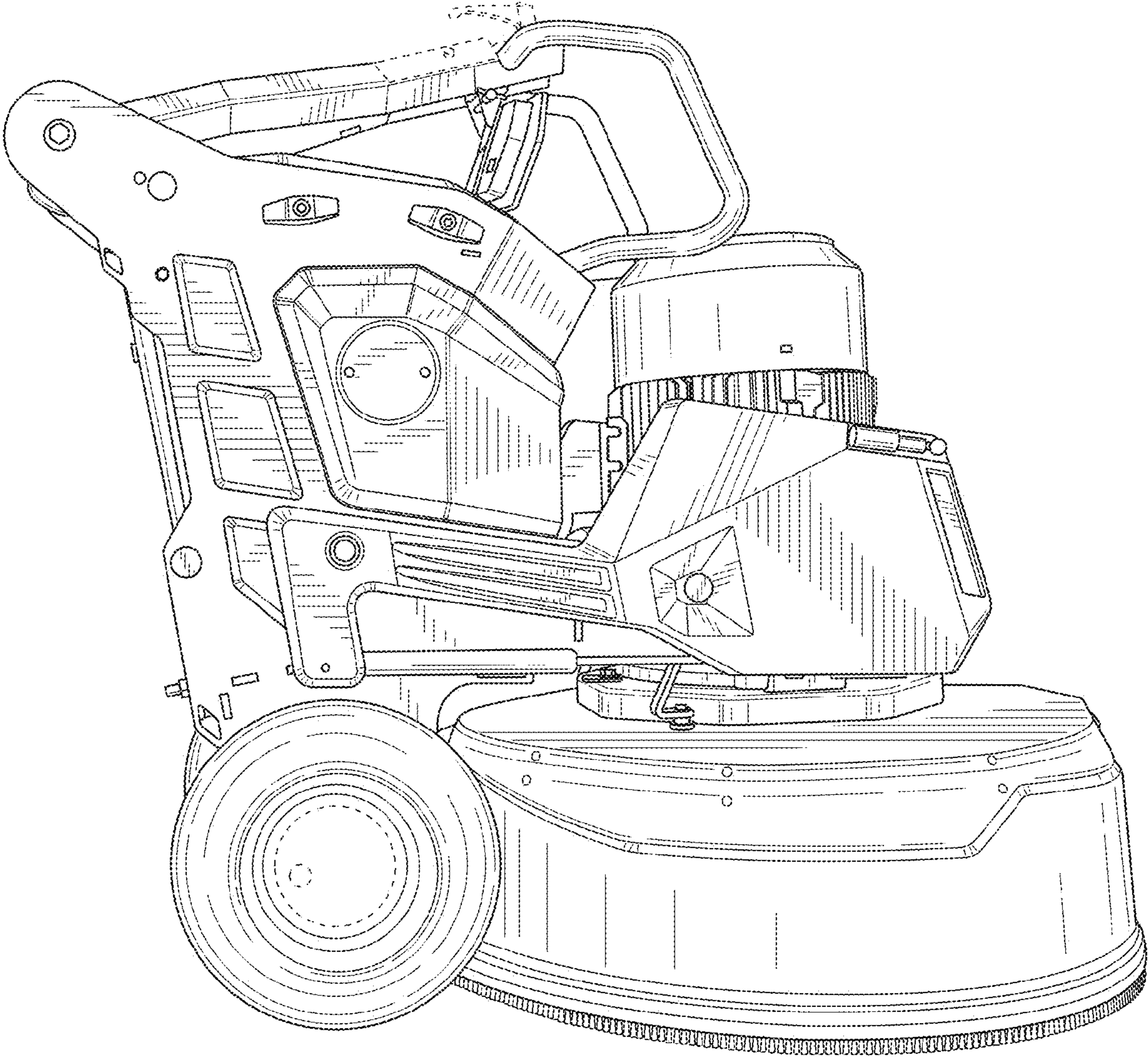


FIG. 13