



US00D881490S

(12) **United States Design Patent**  
**Miyawaki**

(10) **Patent No.:** **US D881,490 S**  
(45) **Date of Patent:** **\*\* Apr. 14, 2020**

(54) **FUTON DRYER**  
(71) Applicant: **IRIS OHYAMA INC.**, Sendai-shi,  
Miyagi (JP)  
(72) Inventor: **Masayuki Miyawaki**, Kakuda (JP)  
(73) Assignee: **IRIS OHYAMA INC.**, Sendai-shi (JP)  
(\*\*) Term: **15 Years**

D343,473 S \* 1/1994 de Vasselot ..... D28/12  
5,282,322 A \* 2/1994 Kasuya ..... F26B 9/006  
126/624  
D345,818 S \* 4/1994 Froidevaux ..... D28/12  
D347,708 S \* 6/1994 Wang ..... D28/12  
D353,018 S \* 11/1994 Froidevaux ..... D28/12  
D359,823 S \* 6/1995 Buchness ..... D32/15  
D360,500 S \* 7/1995 Millet ..... D32/5  
D360,716 S \* 7/1995 Ertz ..... D32/8  
5,514,346 A \* 5/1996 Fujita ..... A43D 3/1491  
239/54  
5,713,137 A \* 2/1998 Fujita ..... D06F 58/14  
34/106

(21) Appl. No.: **29/664,732**

(22) Filed: **Sep. 27, 2018**

(30) **Foreign Application Priority Data**

Mar. 27, 2018 (JP) ..... 2018-006462

(51) **LOC (12) Cl.** ..... **15-05**

(52) **U.S. Cl.**  
USPC ..... **D32/1**

(58) **Field of Classification Search**  
USPC ..... D32/1, 15, 6, 8; D28/12; D23/383;  
D10/106.1; D15/144, 199  
CPC ..... A43D 3/1491; F26B 9/006; F26B 21/001;  
D06F 59/06; D06F 58/14  
See application file for complete search history.

(56) **References Cited**

**U.S. PATENT DOCUMENTS**

D282,396 S \* 1/1986 Weaver ..... D23/383  
D292,630 S \* 11/1987 Nagai ..... D32/8  
D294,741 S \* 3/1988 Froidevaux ..... D28/12  
D304,096 S \* 10/1989 Nithardt ..... D28/12  
D305,464 S \* 1/1990 Rickard ..... D28/12  
D312,892 S \* 12/1990 Eberts ..... D28/12  
D314,839 S \* 2/1991 Ho ..... D28/12  
D317,514 S \* 6/1991 Sasso ..... D28/12  
D332,154 S \* 12/1992 Wang ..... D28/12  
5,174,048 A \* 12/1992 Shero ..... F26B 21/001  
34/444  
D340,326 S \* 10/1993 Genovese ..... D32/15

(Continued)

Primary Examiner — Michelle E. Wilson

(74) *Attorney, Agent, or Firm* — Studebaker & Brackett  
PC

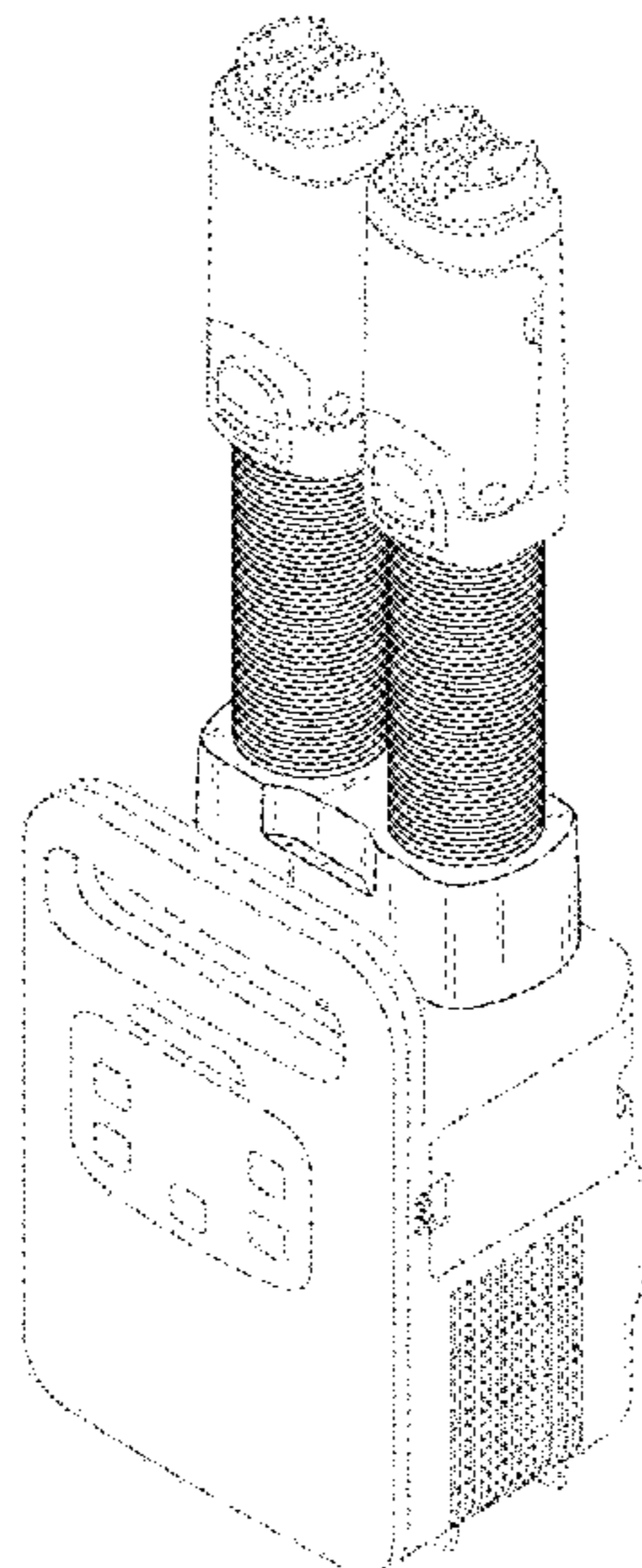
(57) **CLAIM**

The ornamental design for a futon dryer, as shown and described.

**DESCRIPTION**

FIG. 1 is a front, top and right-side perspective view of a futon dryer showing my new design;  
FIG. 2 is a front view thereof;  
FIG. 3 is a rear view thereof;  
FIG. 4 is a top view thereof;  
FIG. 5 is a bottom view thereof;  
FIG. 6 is a right-side view thereof;  
FIG. 7 is a left-side view thereof;  
FIG. 8 is a rear, top and left-side perspective view thereof;  
and,  
FIG. 9 is a reference perspective view showing an extendable hose in a bended state in which a nozzle is stored.  
The broken lines shown represent unclaimed subject matter of the futon dryer and form no part of the claimed design.

**1 Claim, 8 Drawing Sheets**



(56)

**References Cited**

U.S. PATENT DOCUMENTS

6,134,806 A \* 10/2000 Dhaemers ..... A43D 3/1491  
34/202  
D575,464 S \* 8/2008 Rossetto ..... D32/8  
D583,041 S \* 12/2008 Stern ..... D23/383  
7,716,849 B1 \* 5/2010 Hicks ..... D06F 59/06  
211/182  
D661,852 S \* 6/2012 Song ..... D32/8  
D701,659 S \* 3/2014 Choi ..... D32/8  
D703,887 S \* 4/2014 Lee ..... D32/8  
D733,981 S \* 7/2015 Sechere ..... D32/8  
D761,950 S \* 7/2016 Kulp ..... D23/383

\* cited by examiner

FIG. 1

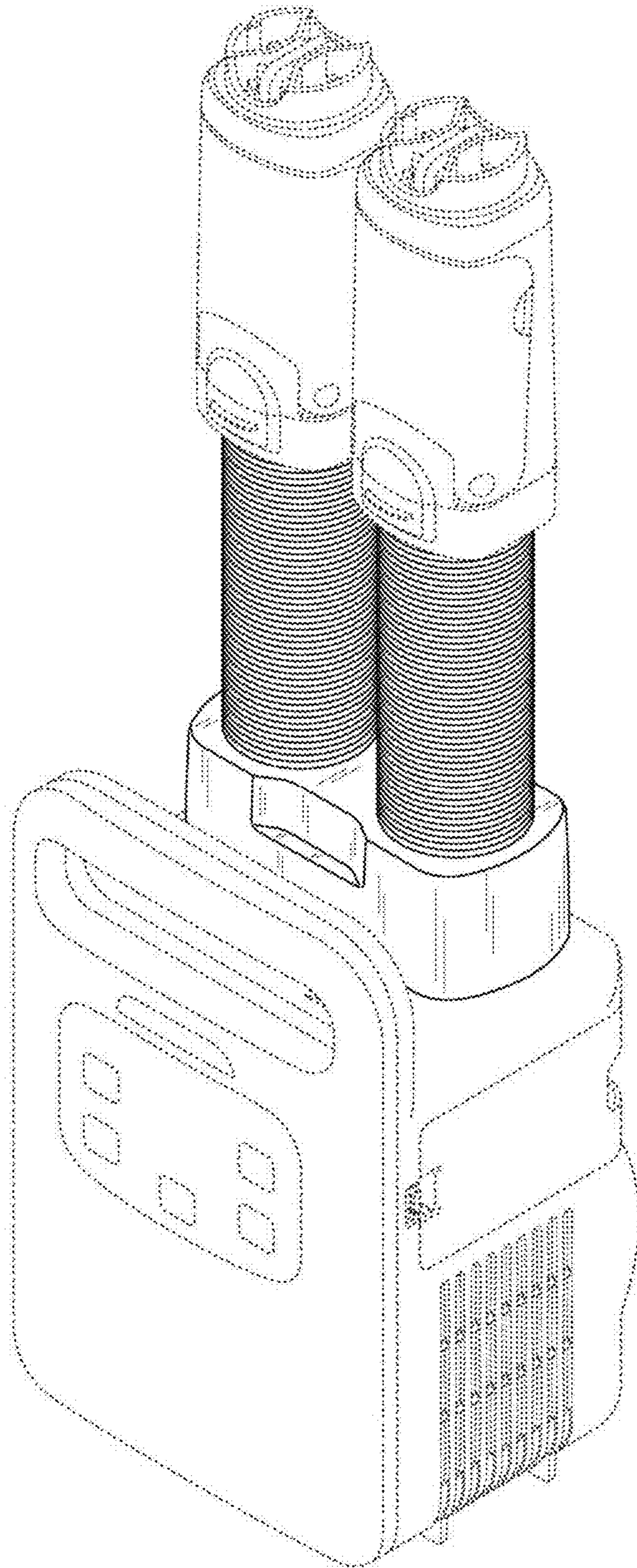


FIG. 2

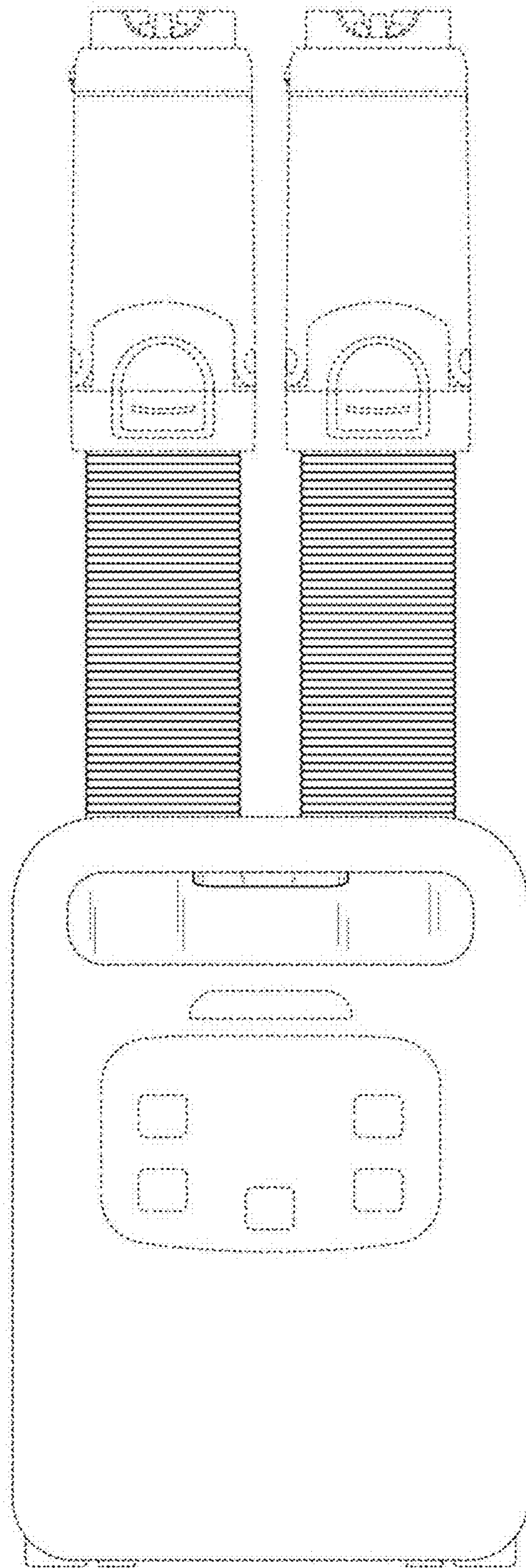


FIG. 3

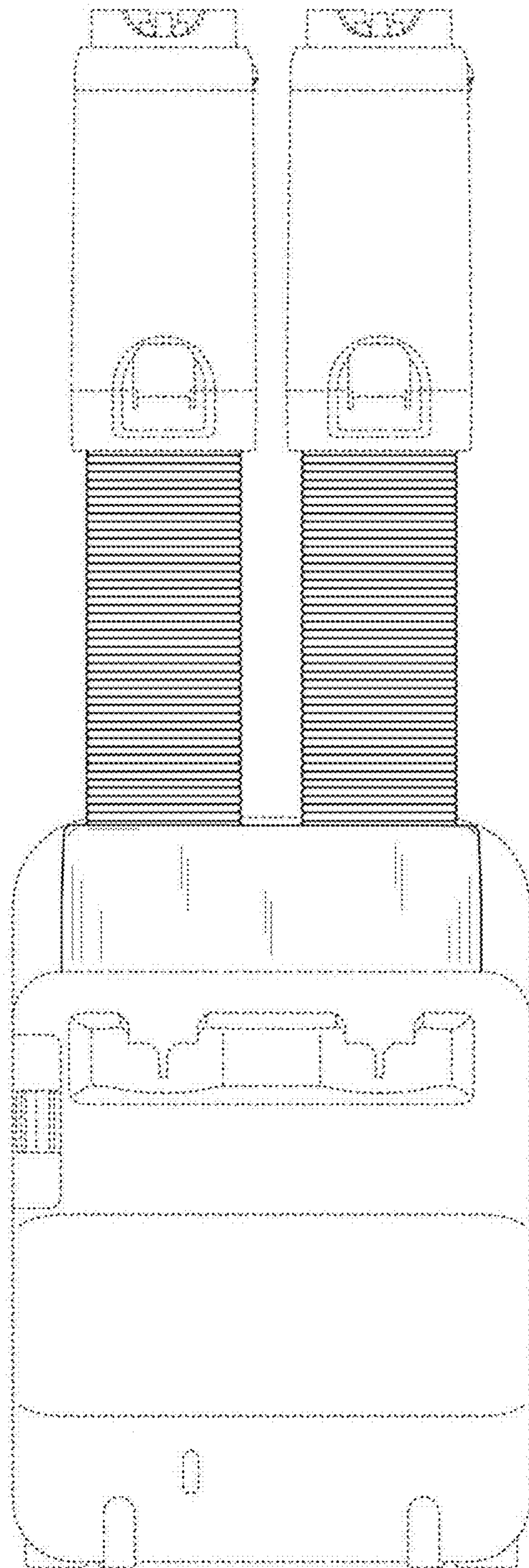


FIG. 4

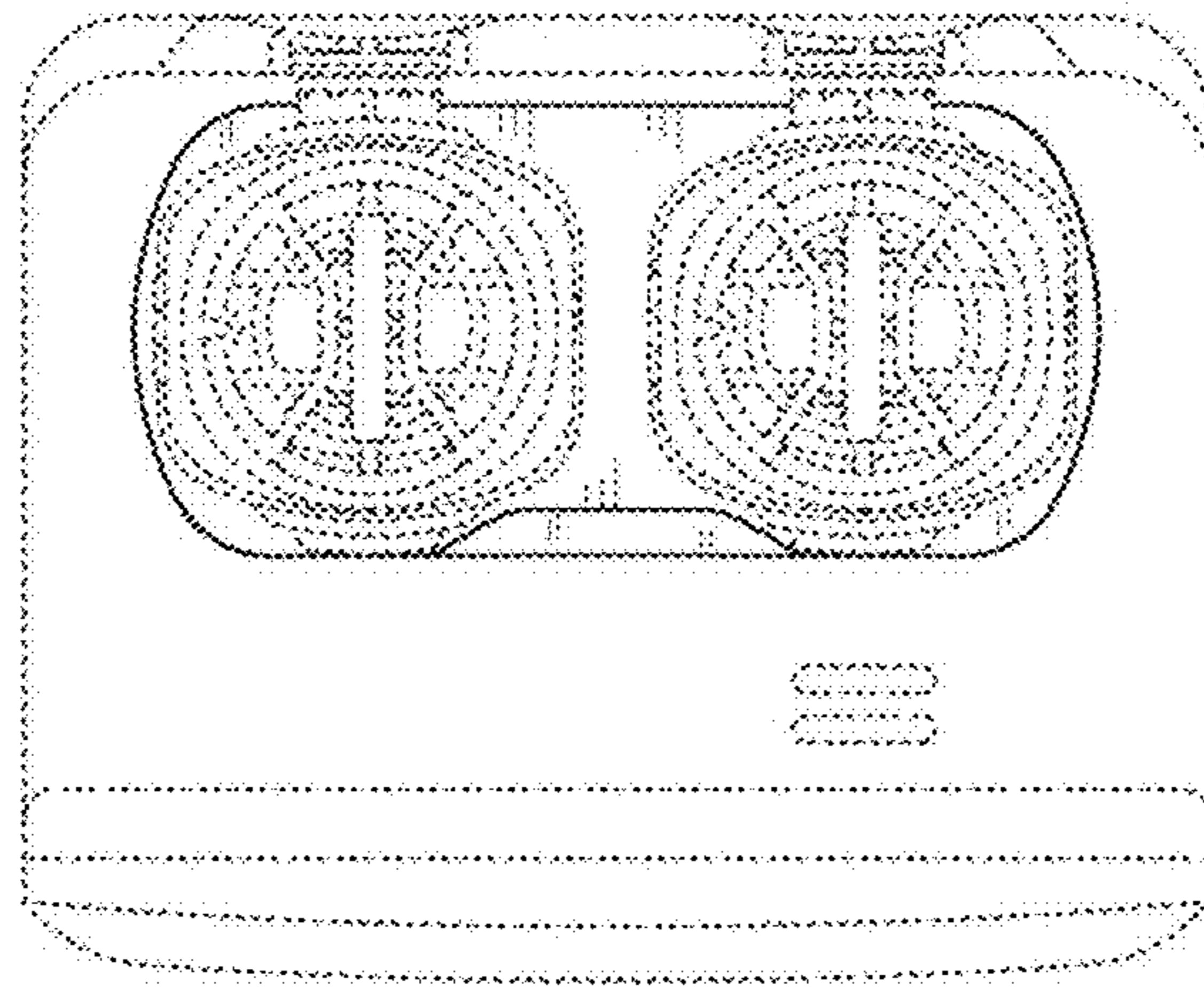


FIG. 5

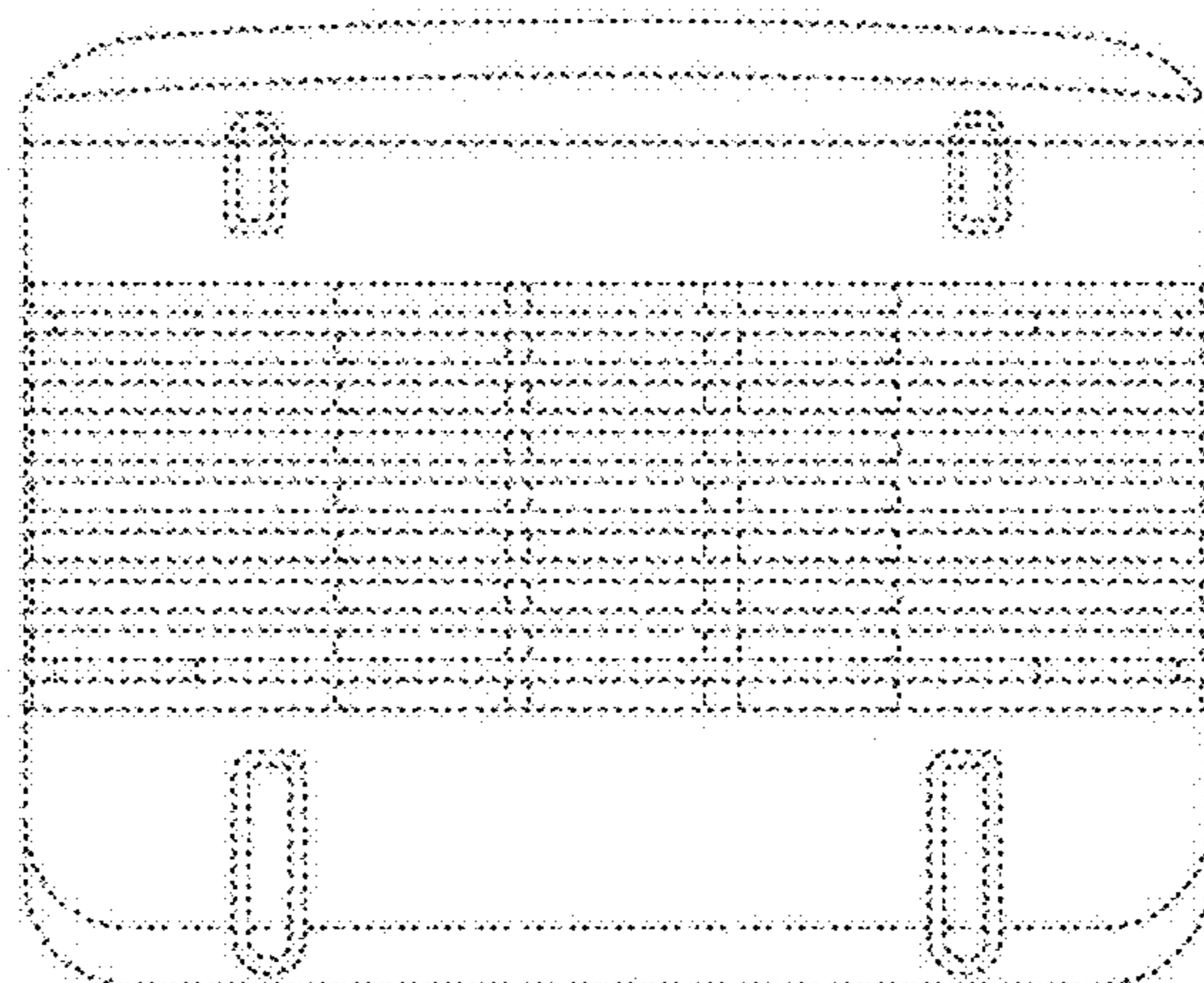


FIG. 6

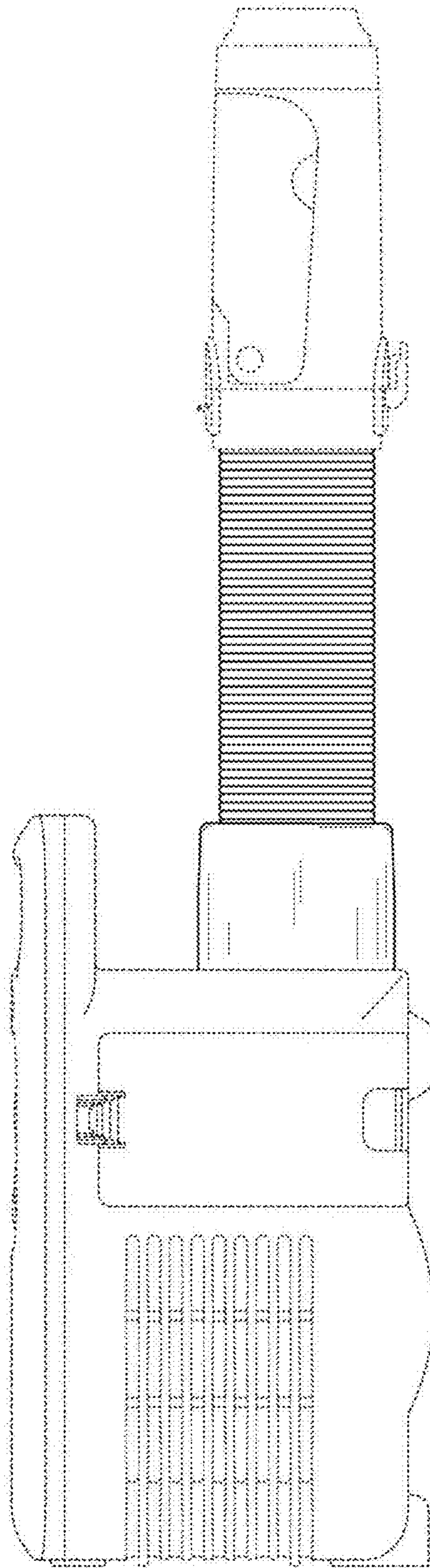


FIG. 7

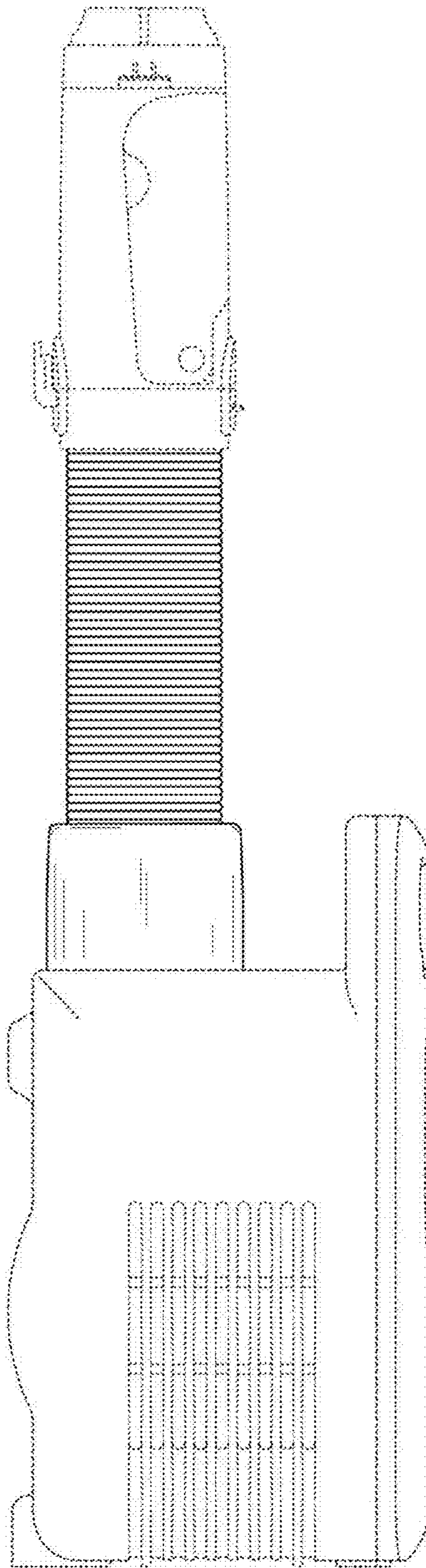




FIG. 8

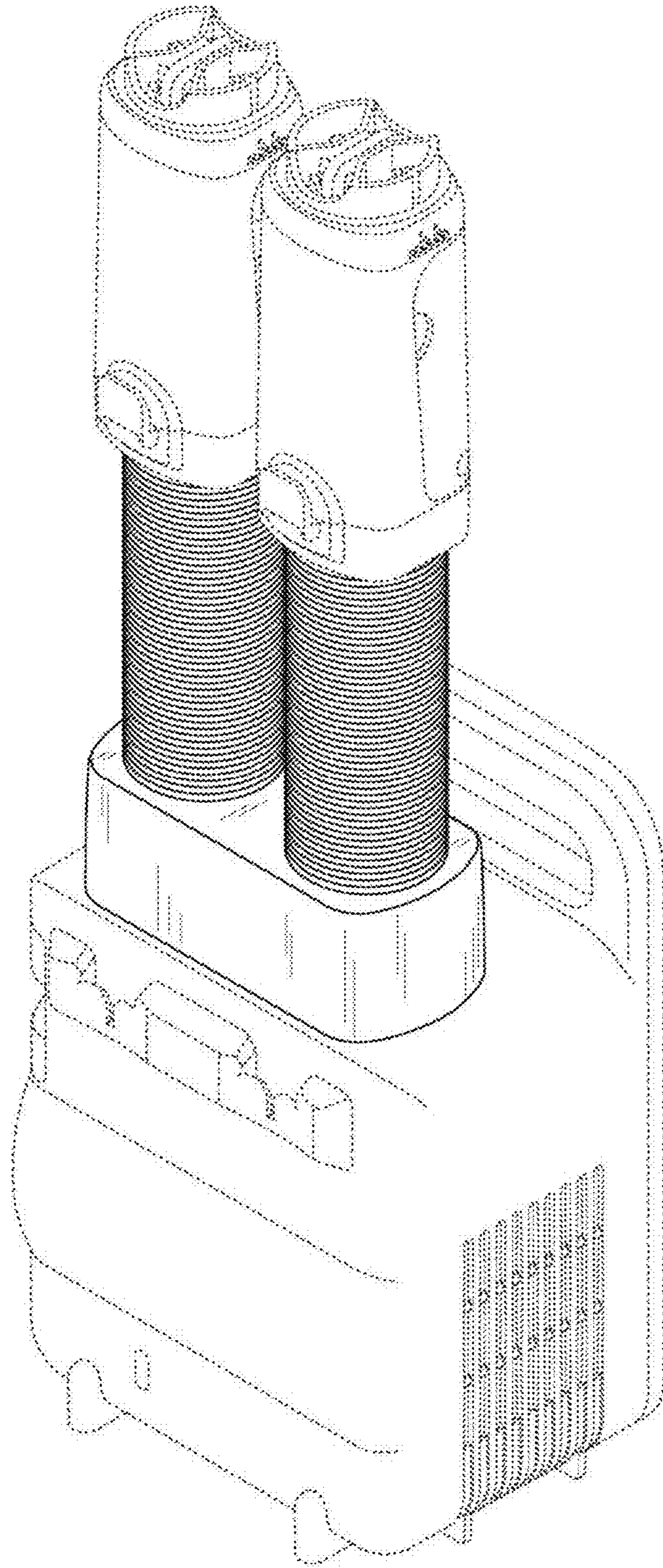


FIG. 9

