



US00D881489S

(12) **United States Design Patent**  
**Miyawaki**

(10) **Patent No.:** **US D881,489 S**

(45) **Date of Patent:** **\*\* Apr. 14, 2020**

(54) **FUTON DRYER**

FOREIGN PATENT DOCUMENTS

(71) Applicant: **IRIS OHYAMA INC.**, Sendai-shi,  
Miyagi (JP)

JP	1540072 S	12/2015
JP	1594869 S	1/2018
JP	1594871 S	1/2018

(72) Inventor: **Masayuki Miyawaki**, Kakuda (JP)

OTHER PUBLICATIONS

(73) Assignee: **IRIS OHYAMA INC.**, Sendai-shi (JP)

A Notice of Allowance mailed by the Japanese Patent Office dated Oct. 16, 2018, which corresponds to Japanese Patent Application No. 2018-006463 and related to U.S. Appl. No. 29/664,715, with partial English translation.

(\*\*) Term: **15 Years**

(Continued)

(21) Appl. No.: **29/664,715**

(22) Filed: **Sep. 27, 2018**

*Primary Examiner* — Michelle E. Wilson

(30) **Foreign Application Priority Data**

Mar. 27, 2018 (JP) ..... 2018-006463

(74) *Attorney, Agent, or Firm* — Studebaker & Brackett PC

(51) **LOC (12) Cl.** ..... **15-05**

(52) **U.S. Cl.**  
USPC ..... **D32/1**

(57) **CLAIM**

(58) **Field of Classification Search**  
USPC ..... D32/1, 15, 6, 8; D28/12; D23/383;  
D10/106.1; D15/144, 199  
CPC ..... A43D 3/1491; F26B 9/006; F26B 21/001;  
D06F 59/06; D06F 58/14  
See application file for complete search history.

The ornamental design for a futon dryer, as shown and described.

**DESCRIPTION**

(56) **References Cited**

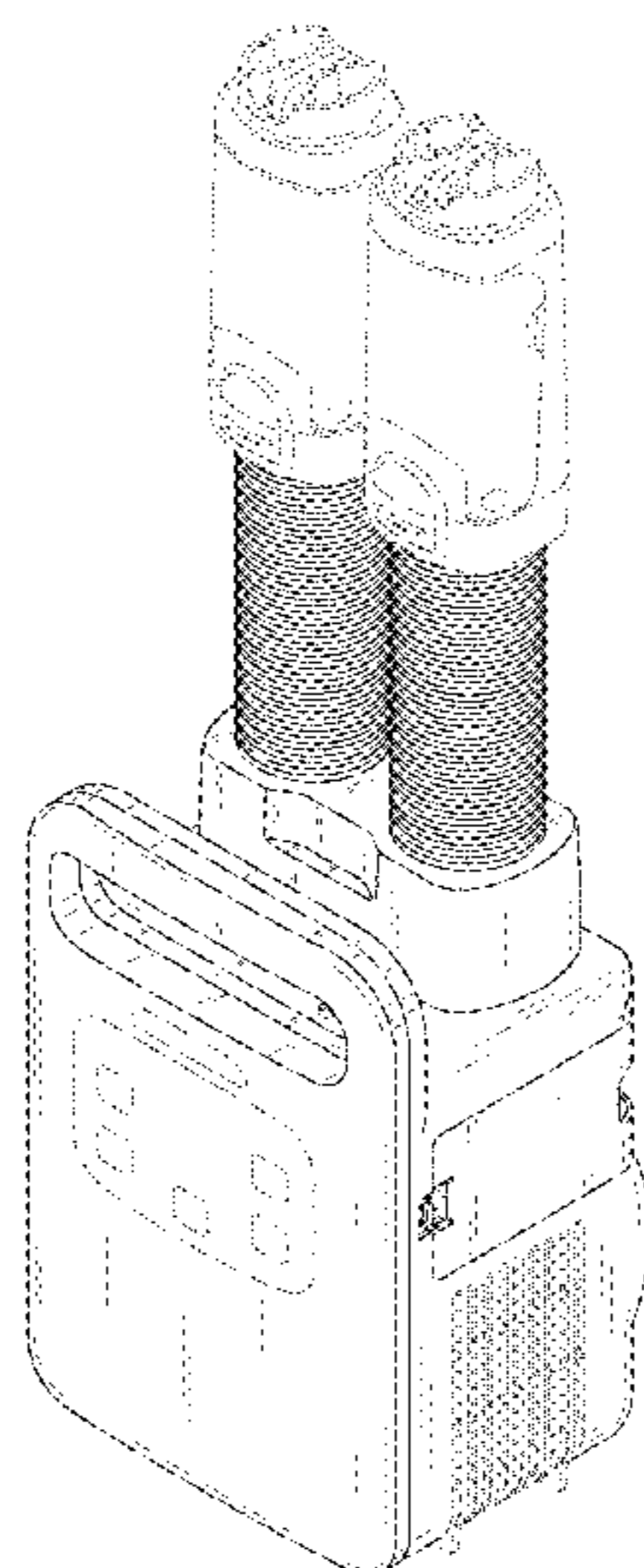
U.S. PATENT DOCUMENTS

D282,396 S *	1/1986	Weaver	.....	D23/383
D292,630 S *	11/1987	Nagai	.....	D32/8
D294,741 S *	3/1988	Froidevaux	.....	D28/12
D304,096 S *	10/1989	Nithardt	.....	D28/12
D305,464 S *	1/1990	Rickard	.....	D28/12
D312,892 S *	12/1990	Eberts	.....	D28/12
D314,839 S *	2/1991	Ho	.....	D28/12
D317,514 S *	6/1991	Sasso	.....	D28/12
D332,154 S *	12/1992	Wang	.....	D28/12
5,174,048 A *	12/1992	Shero	.....	F26B 21/001 34/444
D340,326 S *	10/1993	Genovese	.....	D32/15
D343,473 S *	1/1994	de Vasselot	.....	D28/12

FIG. 1 is a front, top and right-side perspective view of a futon dryer showing my new design;  
FIG. 2 is a front view thereof;  
FIG. 3 is a rear view thereof;  
FIG. 4 is a top view thereof;  
FIG. 5 is a bottom view thereof;  
FIG. 6 is a right-side view thereof;  
FIG. 7 is a left-side view thereof;  
FIG. 8 is a rear, top and left-side perspective view thereof;  
and,  
FIG. 9 is a reference perspective view showing an extendable hose in a bended state in which a nozzle is stored.  
The broken lines shown represent unclaimed subject matter of the futon dryer and form no part of the claimed design.

(Continued)

**1 Claim, 9 Drawing Sheets**



(56)

**References Cited**

U.S. PATENT DOCUMENTS

5,282,322 A \* 2/1994 Kasuya ..... F26B 9/006  
 126/624  
 D345,818 S \* 4/1994 Froidevaux ..... D28/12  
 D347,708 S \* 6/1994 Wang ..... D28/12  
 D353,018 S \* 11/1994 Froidevaux ..... D28/12  
 D359,823 S \* 6/1995 Buchness ..... D32/15  
 D360,500 S \* 7/1995 Millet ..... D32/5  
 D360,716 S \* 7/1995 Ertz ..... D32/8  
 5,514,346 A \* 5/1996 Fujita ..... A43D 3/1491  
 239/54  
 5,713,137 A \* 2/1998 Fujita ..... D06F 58/14  
 34/106  
 6,134,806 A \* 10/2000 Dhaemers ..... A43D 3/1491  
 34/202  
 D575,464 S \* 8/2008 Rossetto ..... D32/8  
 D583,041 S \* 12/2008 Stern ..... D23/383  
 7,716,849 B1 \* 5/2010 Hicks ..... D06F 59/06  
 211/182  
 D661,852 S \* 6/2012 Song ..... D32/8  
 D701,659 S \* 3/2014 Choi ..... D32/8  
 D703,887 S \* 4/2014 Lee ..... D32/8  
 D733,981 S \* 7/2015 Sechere ..... D32/8  
 D761,950 S \* 7/2016 Kulp ..... D23/383

OTHER PUBLICATIONS

MONO Magazine : No. 9, vol. 43; Apr. 16, 2015; p. 181; (Japan Patent Office Design Patent Department, publicly known reference No. HA27002052).

\* cited by examiner

FIG. 1

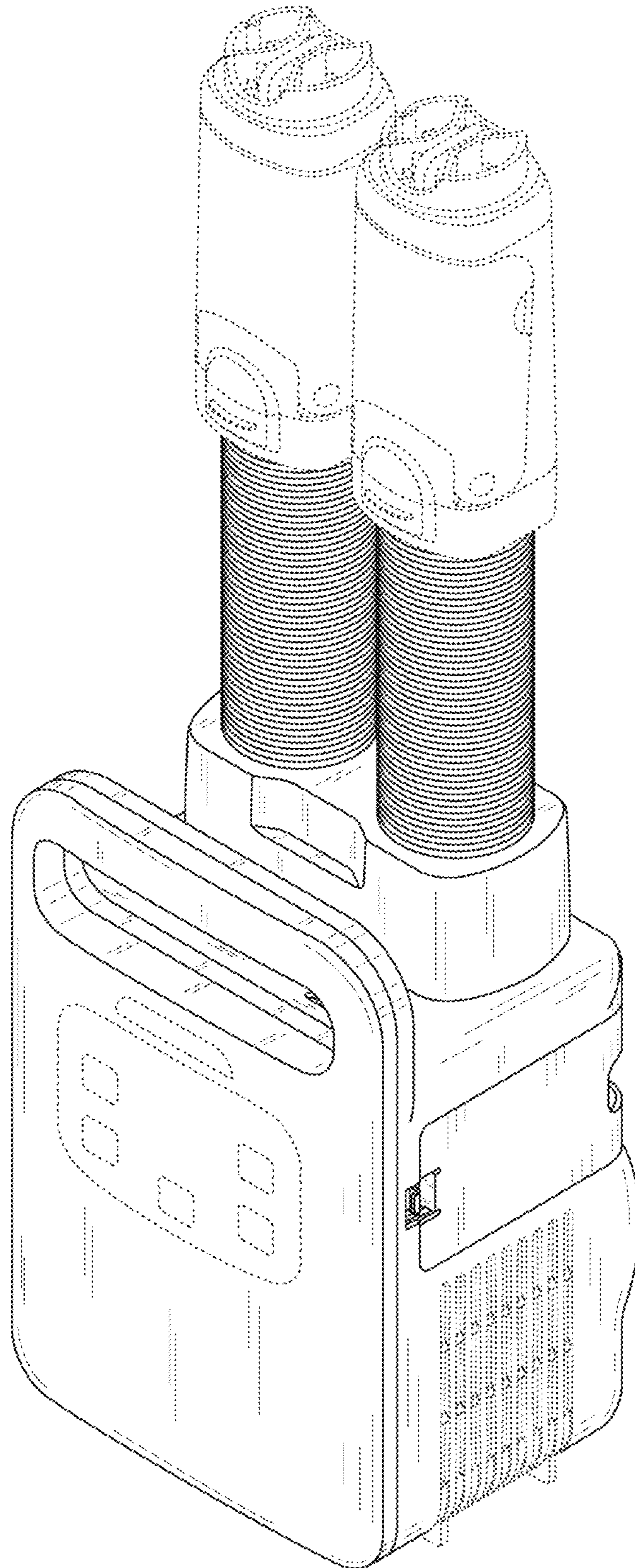




FIG. 2

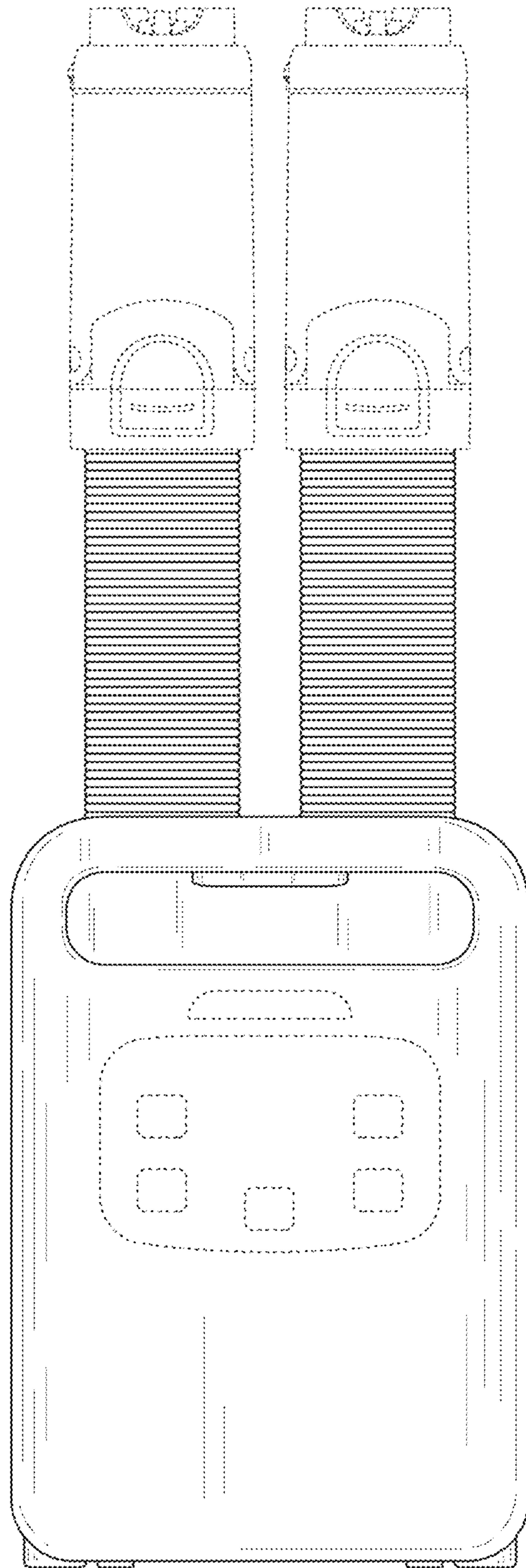


FIG. 3

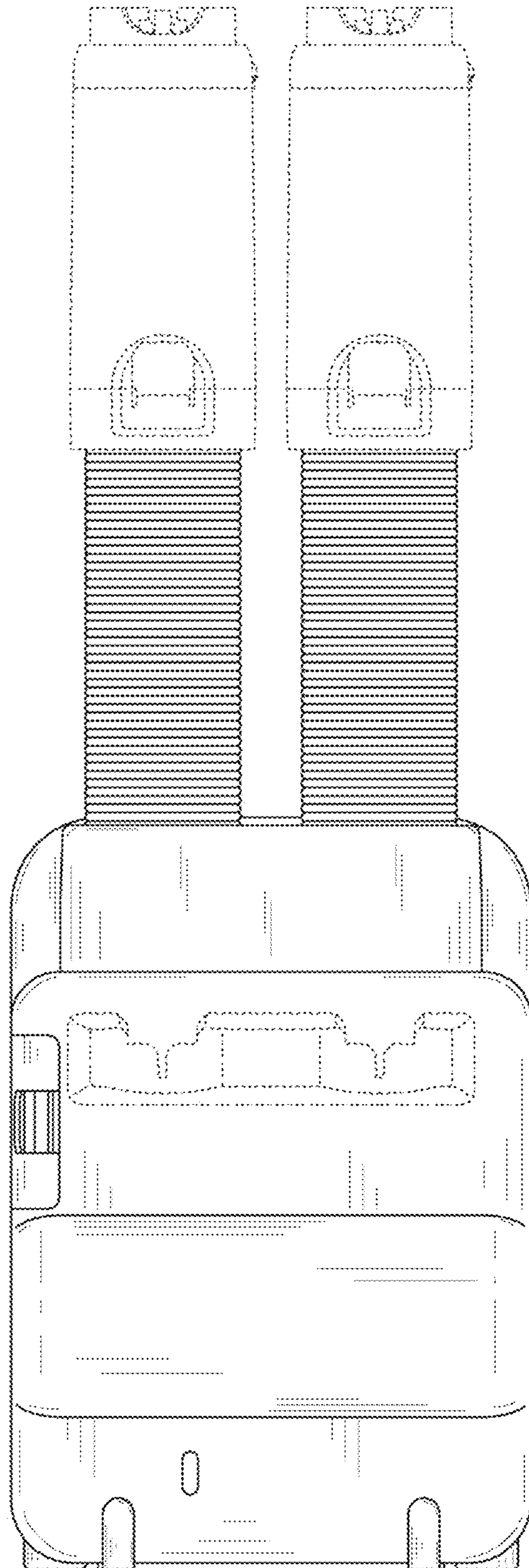


FIG. 4

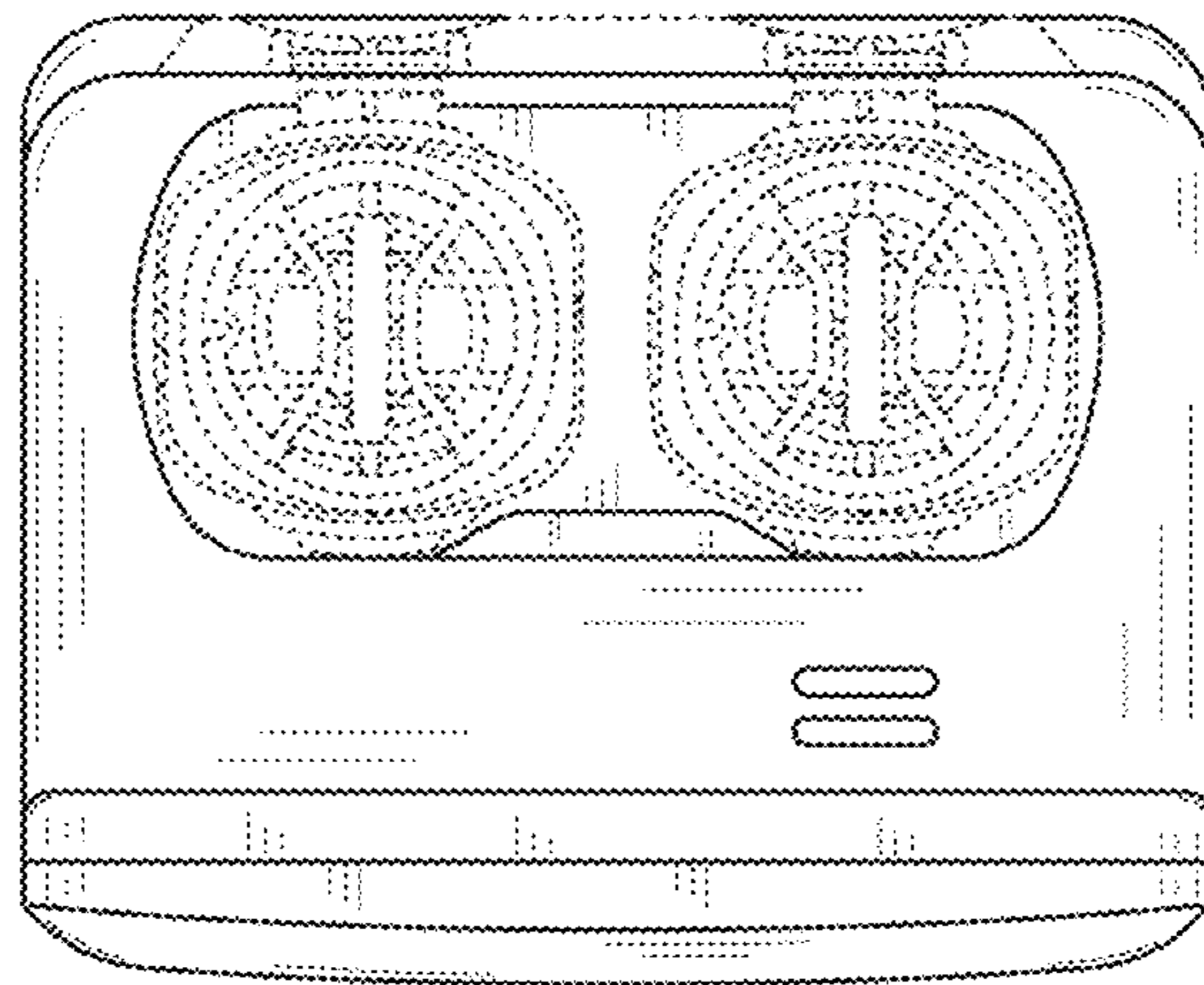


FIG. 5

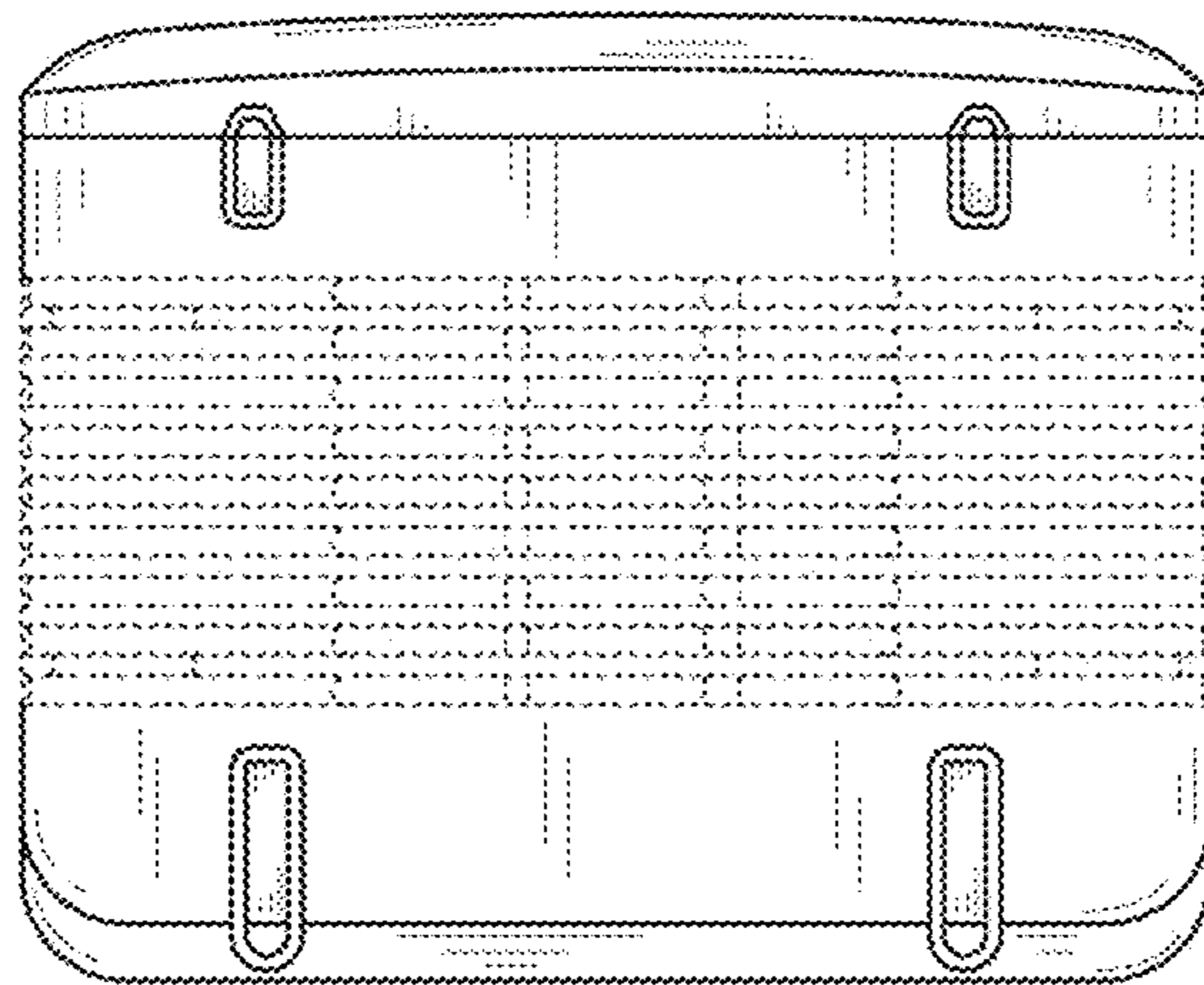


FIG. 6

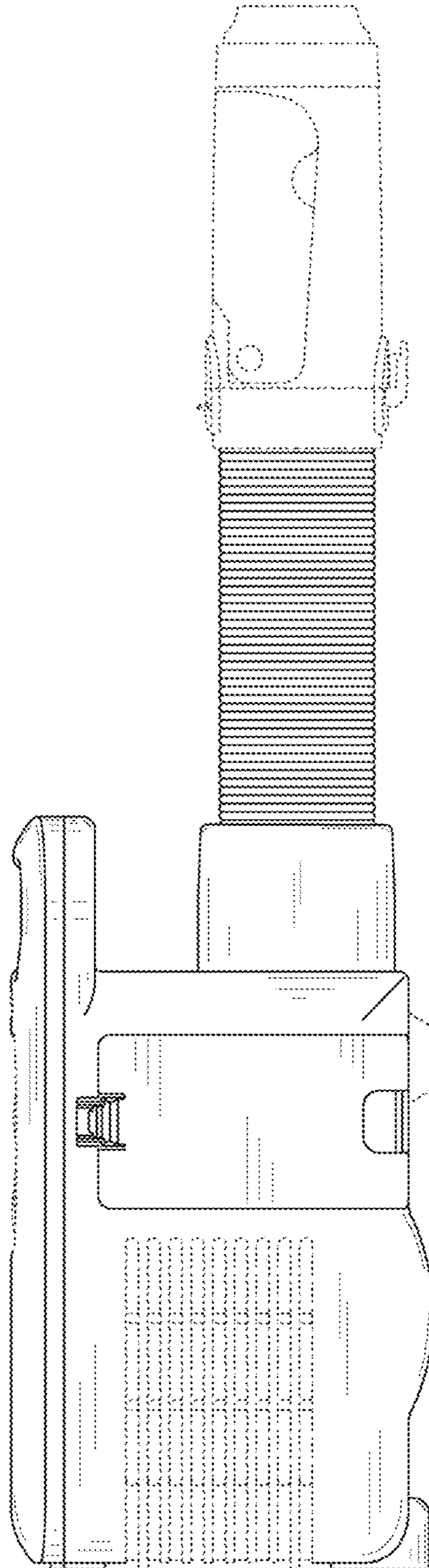




FIG. 7

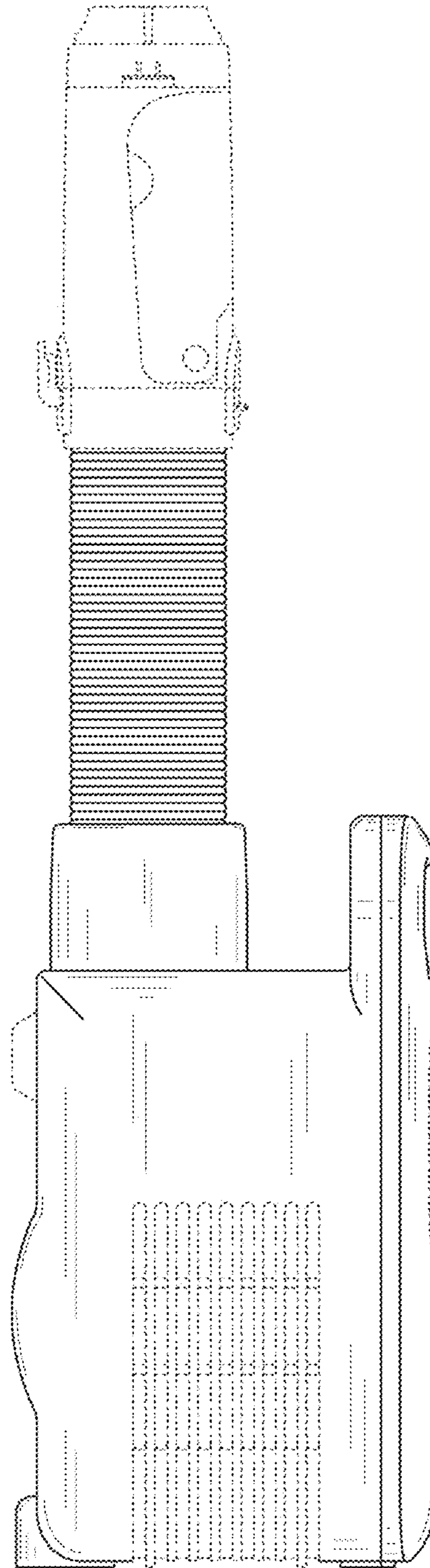


FIG. 8

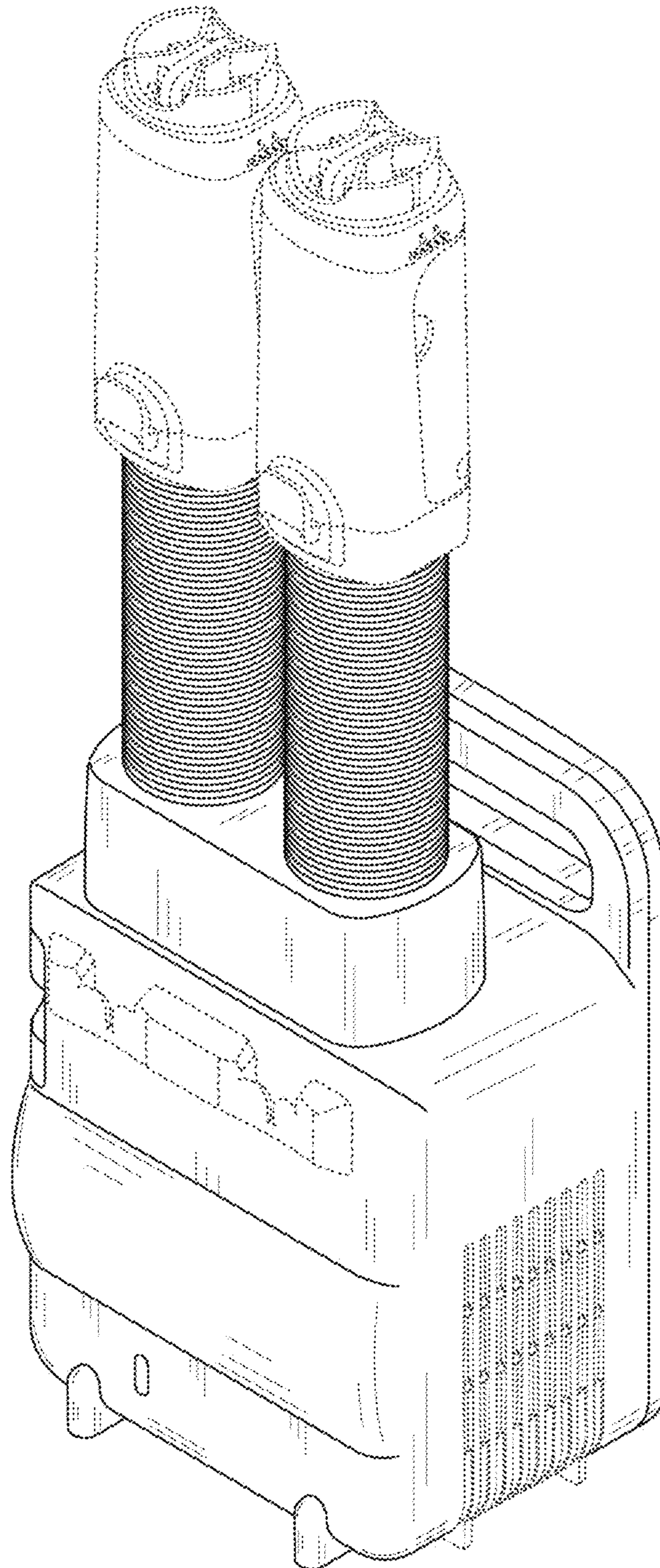


FIG. 9

