



US00D881488S

(12) **United States Design Patent** (10) **Patent No.:** **US D881,488 S**
Allen (45) **Date of Patent:** **** Apr. 14, 2020**

(54) **OBEDIENCE TRAINING DEVICE FOR ANIMAL COLLAR**

63/1.11, 3.1, 3.2, 3, 9, 37, 38, 18-20, 23, 63/12, 13, 14.1, 21, 31, 15.2, 15, 1.13, 63/5.1, 1.1; 59/85, 89; 424/409;

(71) Applicant: **Wilmer C. Allen**, Golden Valley, AZ (US)

(Continued)

(72) Inventor: **Wilmer C. Allen**, Golden Valley, AZ (US)

(56) **References Cited**

(**) Term: **15 Years**

U.S. PATENT DOCUMENTS

(21) Appl. No.: **29/710,411**

1,603,222 A * 10/1926 Transue A01K 15/02 119/765

(22) Filed: **Oct. 23, 2019**

4,539,937 A 9/1985 Workman (Continued)

(51) **LOC (12) Cl.** **30-99**

OTHER PUBLICATIONS

(52) **U.S. Cl.**

USPC **D30/199**; D30/152; D30/151

The Amazing Q-Collar. Product Listing [online]. Quansa Kennels, Inc. Copyright © 2019 [published on Dec. 28, 2010; retrieved on Jun. 7, 2019]. Retrieved from the Internet: <URL:https://www.quansakennelsinc.com/dog-training-collar/>.

(58) **Field of Classification Search**

USPC D30/199, 151-155, 144; 119/850, 119/855-860, 862-865, 654, 712, 714, 119/720, 725, 760, 762-776, 791-794, 119/815, 821, 724, 655, 51.02, 660, 174, 119/907; 24/16 R, 17 AP, 3.5 P, 188, 24/662, 324, 3.6, 307, 625, 616, 200, 24/196, 171, 169, 112, 614, 615, 115 F, 24/620, 681, 602, 306, 442, 274 R, 302, 24/300, 301, 298, 323, 16 PB, 265 H, 24/163 K, 163 R, 355, 543, 168; D11/3, D11/12, 200, 7, 79-87, 97, 99, 107, 108, D11/137, 105, 103, 1, 2, 40-44, 46-49, D11/53, 56, 57, 59-61, 63, 65, 89, 90-92, D11/101, 106, 114-116, 201, 208-210, D11/212-218, 220, 230-234, 236, 237, D11/94, 6, 11; D2/609, 627, 624, 632, D2/635, 976, 629, 631, 636, 614, 610, D2/639; 2/300, 311-319, 321, 322, 338, 2/339, 237, 170, DIG. 11, 365, 307, 308, 2/910, 917; D24/195, 211, 189, 190, D24/192; D3/207-212, 270-271.3, 327; D26/38; 206/37.1, 38.1; D6/302-304; 70/456 R, 456 B, 458, 459, 18, 49, 58; D8/1, 34, 38, 18, 394, 382, 396; 54/19.1;

Primary Examiner — Susan Moon Lee

(74) *Attorney, Agent, or Firm* — Cramer Patent & Design, PLLC; Aaron R. Cramer

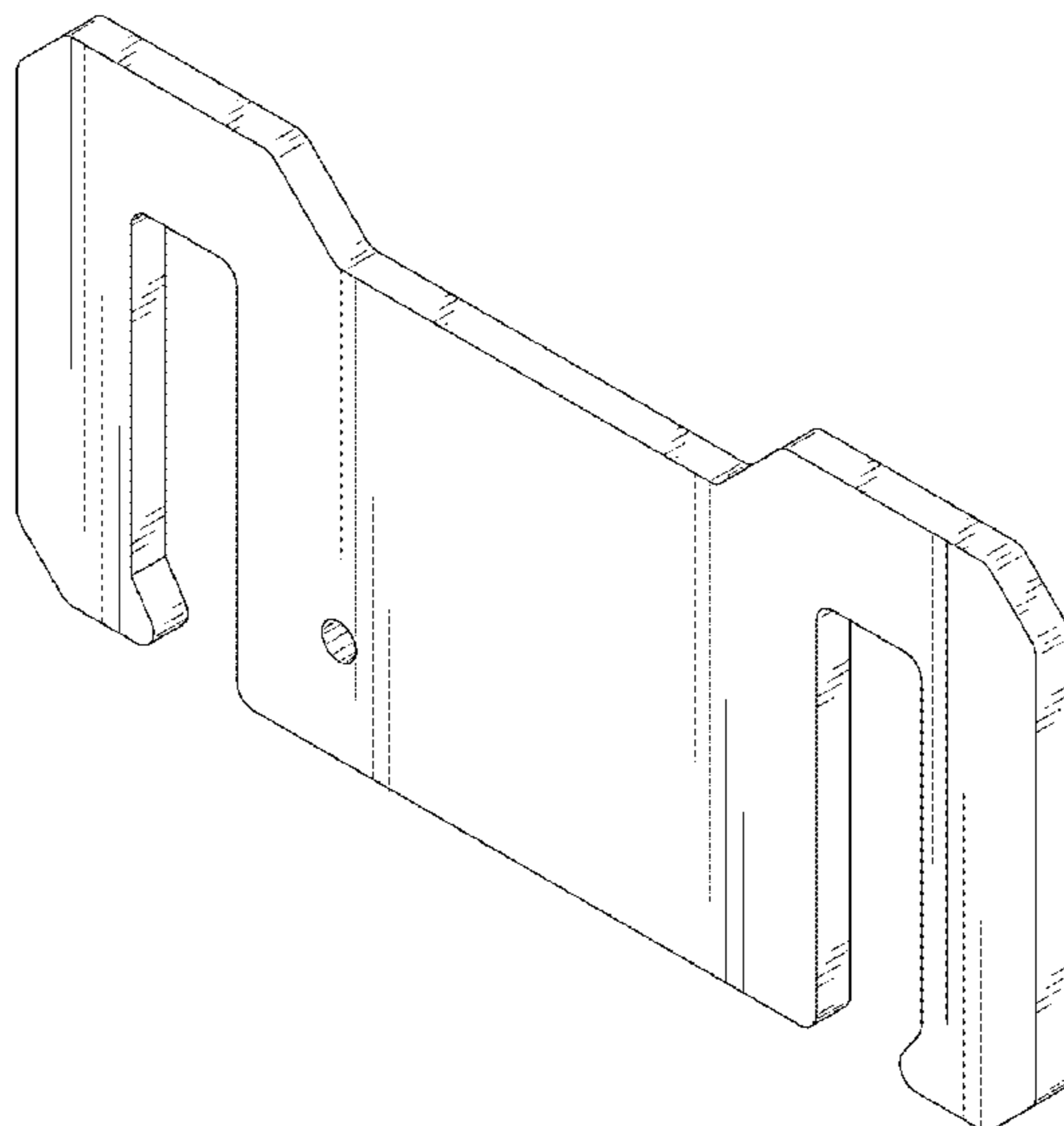
(57) **CLAIM**

I claim the ornamental design for an obedience training device for animal collar, as shown and described.

DESCRIPTION

FIG. 1 is a perspective top front right view of an obedience training device for animal collar, showing my new design; FIG. 2 is a perspective top rear left view thereof; FIG. 3 is a front elevation view thereof; FIG. 4 is a rear elevation view thereof; FIG. 5 is a right side elevation view thereof; FIG. 6 is a left side elevation view thereof; FIG. 7 is a top plan view thereof; and, FIG. 8 is a bottom plan view thereof.

1 Claim, 6 Drawing Sheets



US D881,488 S

Page 2

(58) **Field of Classification Search**

USPC 43/131; 446/314, 376; 428/28; 606/203,
606/204, 201; 602/62; 128/876,
128/DIG. 15; 40/633, 665, 618, 640;
473/212, 216; 604/20; 231/7; 361/232;
403/212, 213, 391; 256/57, 47; 410/97,
410/23, 7; 292/307 R, 317; 362/108,
362/103, 191
CPC A01K 27/00-009; A01K 15/02; A01K
15/04; A01K 15/021; A01K 15/022;
A01K 15/023; F16B 2/12; A44B 11/28;
A44B 11/25

See application file for complete search history.

(56) **References Cited**

U.S. PATENT DOCUMENTS

4,940,020 A * 7/1990 Gordon A01K 27/001
119/802
5,343,829 A * 9/1994 Lookingbill A01K 13/00
119/821

5,460,125 A * 10/1995 Lookingbill A01K 13/00
119/821
6,101,980 A * 8/2000 Davies-Ross A01K 27/001
119/856
D454,991 S 3/2002 Muller
7,114,466 B1 10/2006 Mayer
7,235,744 B2 * 6/2007 Zoller F16B 37/043
174/135
D626,294 S 10/2010 Johnson
D669,715 S * 10/2012 Silagy D6/518
8,763,563 B2 7/2014 Thalmann
9,277,734 B1 3/2016 Paradis
D852,436 S * 6/2019 Leach D30/152
10,376,020 B1 * 8/2019 Doyle A01K 27/008
2003/0150402 A1 * 8/2003 Muller A01K 15/02
119/856
2004/0079296 A1 * 4/2004 Villanueva A01K 15/02
119/712
2005/0006557 A1 * 1/2005 Zoller F16B 37/043
248/686
2018/0168128 A1 * 6/2018 Leach A01K 15/04
2019/0307213 A1 * 10/2019 Doyle et al. A01K 27/001

* cited by examiner

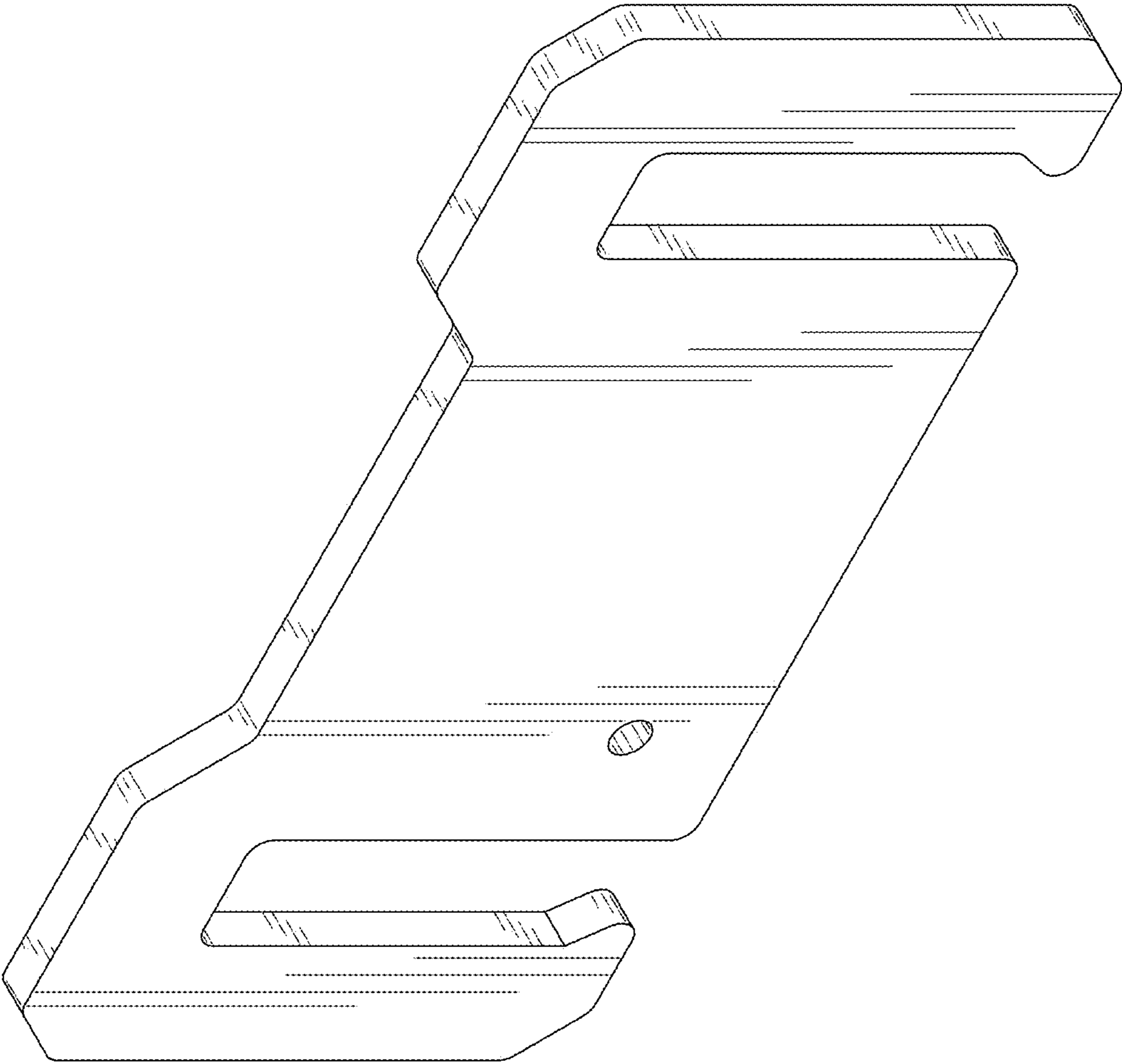


FIG. 1

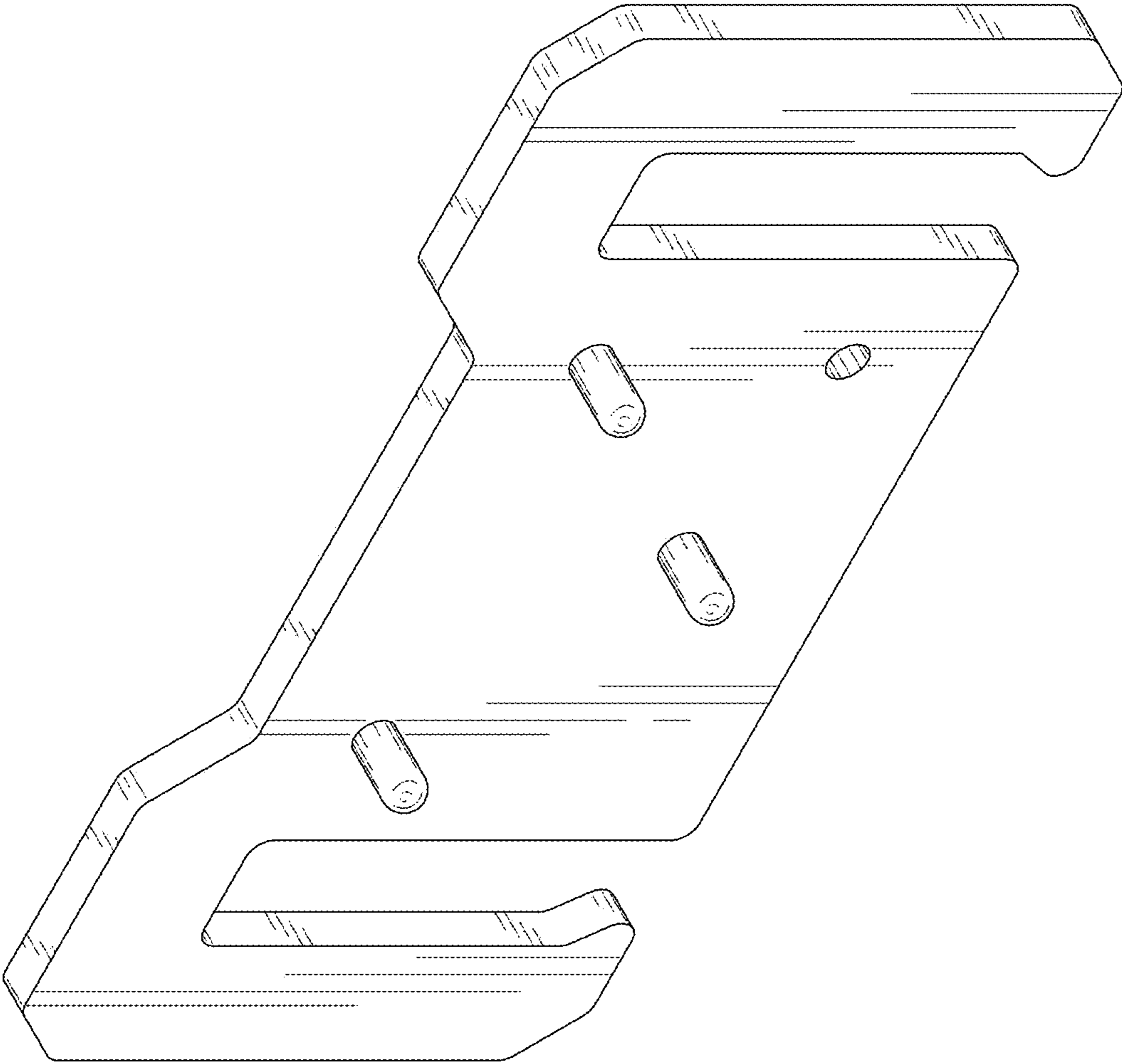


FIG. 2

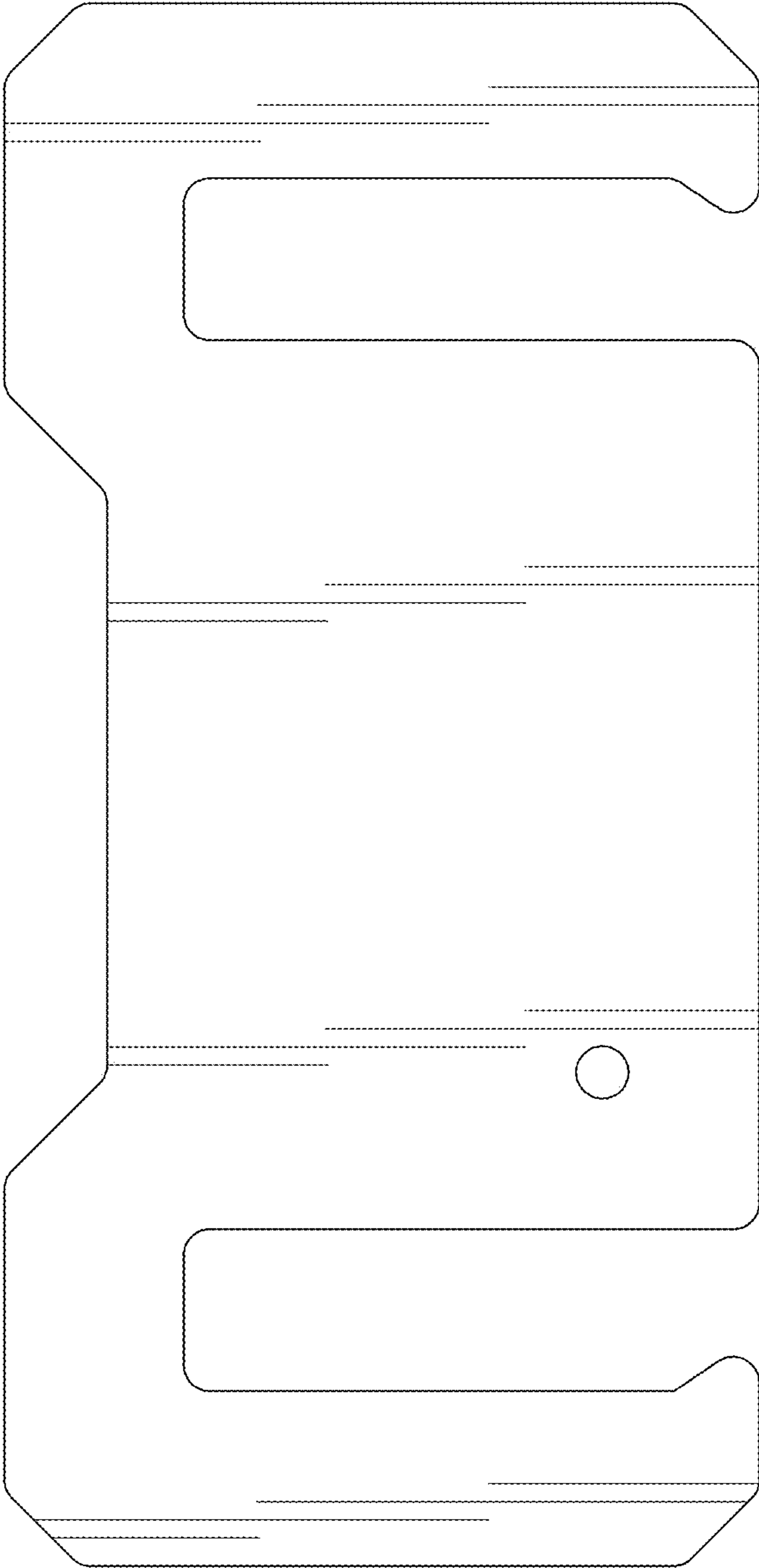


FIG. 3

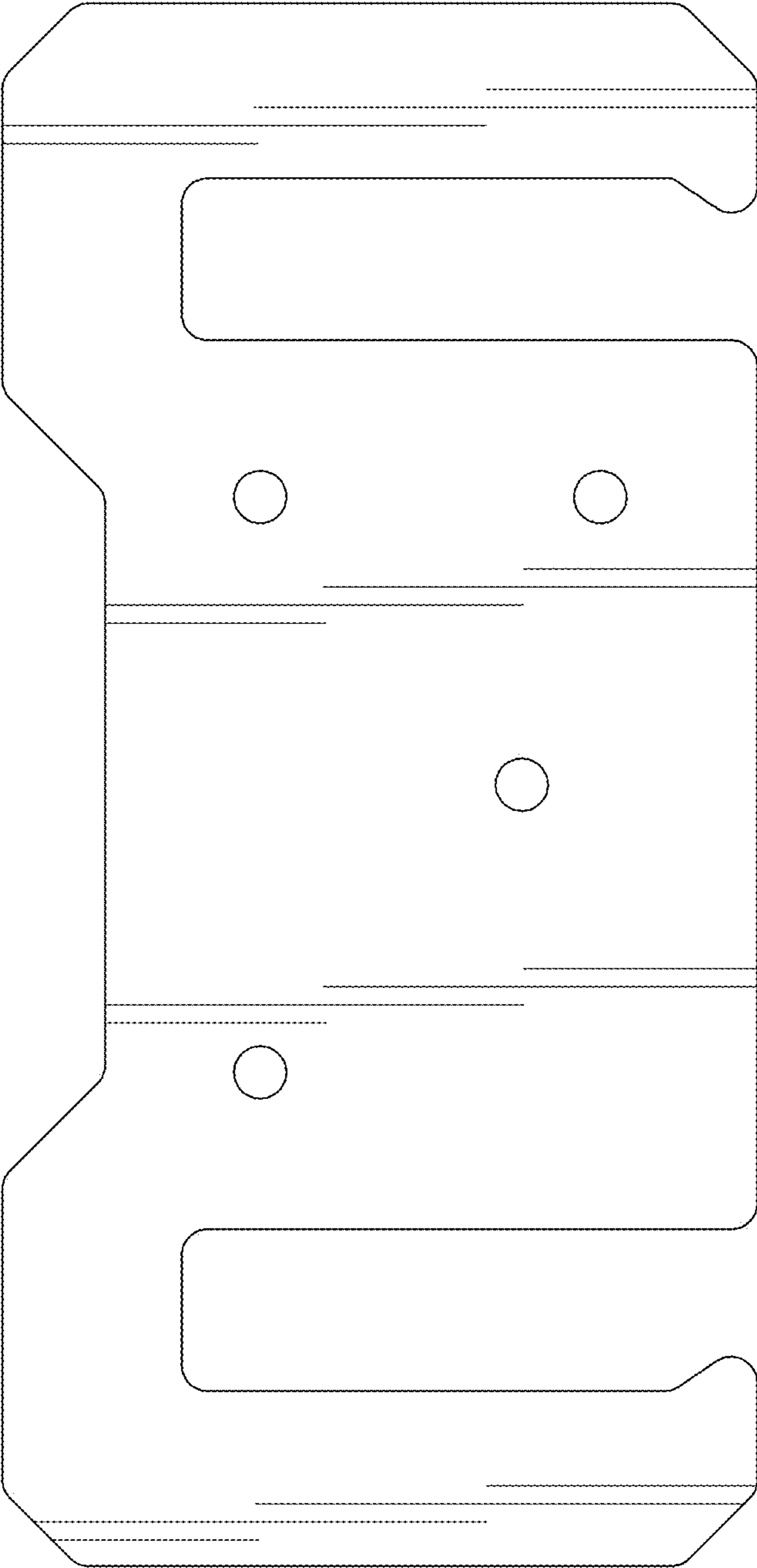


FIG. 4

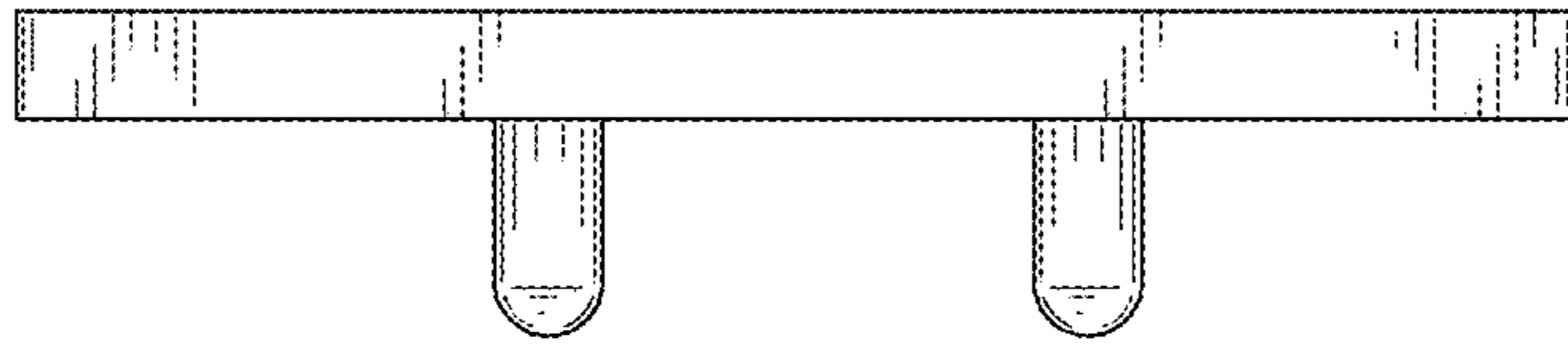


FIG. 6

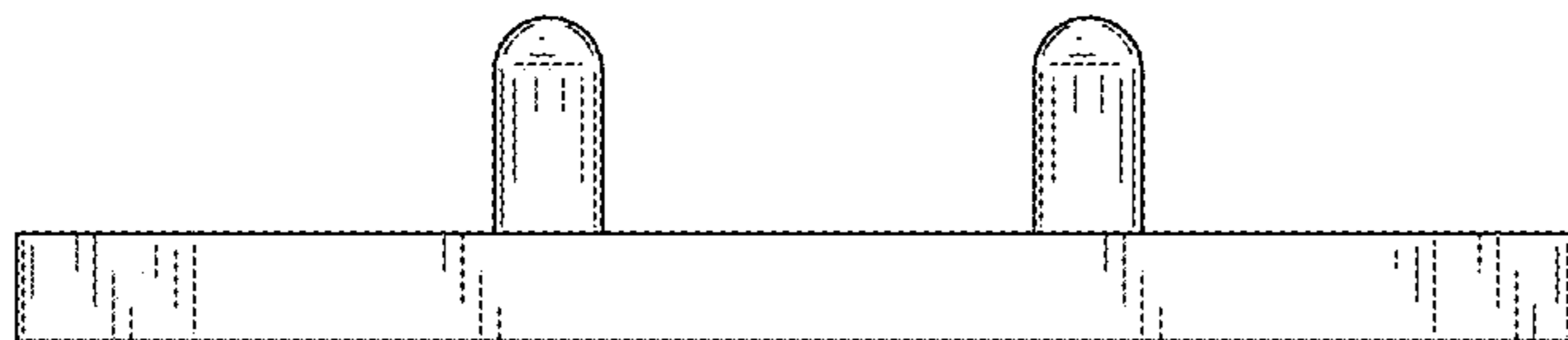


FIG. 5

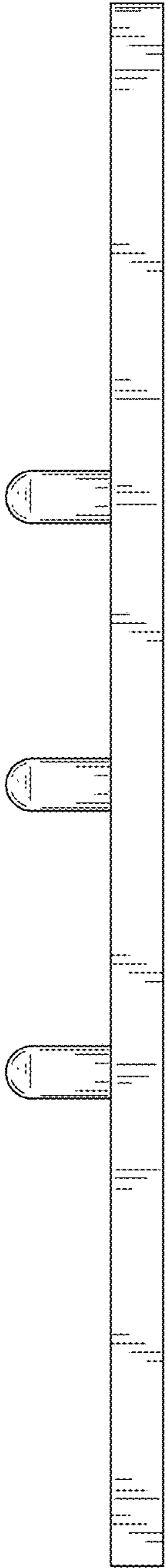


FIG. 7

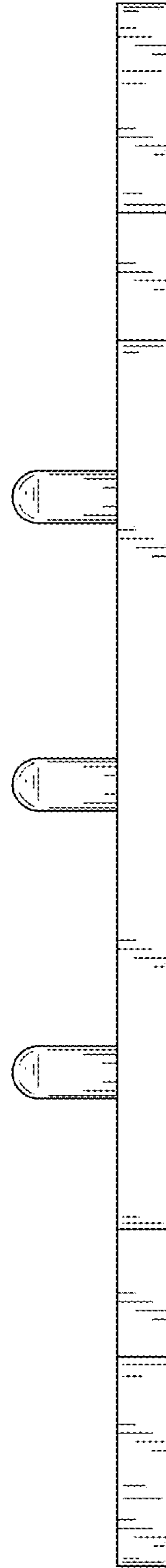


FIG. 8