



US00D881487S

(12) **United States Design Patent** (10) **Patent No.:** **US D881,487 S**
Davis (45) **Date of Patent:** **** Apr. 14, 2020**

(54) **SMALL DOG POOL FLOAT**

(71) Applicant: **Robyn Davis**, Sacramento, CA (US)

(72) Inventor: **Robyn Davis**, Sacramento, CA (US)

(**) Term: **15 Years**

(21) Appl. No.: **29/651,128**

(22) Filed: **Dec. 20, 2017**

(51) **LOC (12) Cl.** **30-99**

(52) **U.S. Cl.**
USPC **D30/199**; D21/809; D21/803

(58) **Field of Classification Search**
USPC D30/199, 118; D21/803, 809, 769, 770, D21/771, 804, 835, 837, 838, 839, 834; D6/604, 392, 601, 596, 382, 383, 389, D6/406.3, 390, 715.2, 716, 716.1, 716.8; D12/5, 6, 316; 441/129-132, 136, 88, 441/87, 35, 38, 40, 41, 66, 67, 80, 81, 83, 441/86, 125-127; 472/128, 129, 134; 114/345, 346, 348, 349, 354, 361, 343, 114/363; 446/153, 227; 4/496, 498, 499; 5/415, 417, 418, 653, 652, 655.3, 420, 5/512, 655, 656, 657, 657.5; 119/702, 119/28.5, 498, 482; 135/95, 96, 98, 125, 135/126, 901, 133
CPC A01K 15/02; A01K 15/025; A01K 15/027; A01K 1/0353; A01K 1/0272; A47C 15/006; A47C 31/00; A47C 27/08; A47C 27/081; A47C 27/128; A47C 27/18; A47C 1/146; B63B 35/00; B63B 35/73; B63B 35/737; B63B 35/74; B63B 35/76; B63B 7/085; B63B 17/02; A47D 15/00; A47D 15/001-008; A47D 13/02; A47D 13/025; A47D 13/083; A47D 13/066; A47G 9/066; A47G 9/068; A47G 9/1045; E04H 15/006; E04H 15/008; E04H 15/02; E04H 15/06; E04H 15/20

See application file for complete search history.

(56) **References Cited**

U.S. PATENT DOCUMENTS

1,650,111 A * 11/1927 Byne E04H 15/003
135/133
1,746,833 A * 2/1930 Hermansen A47G 9/1045
441/114
1,748,170 A * 2/1930 Chesnut A47C 15/006
441/131

(Continued)

Primary Examiner — Susan Moon Lee

(74) *Attorney, Agent, or Firm* — Mark C Jacobs

(57) **CLAIM**

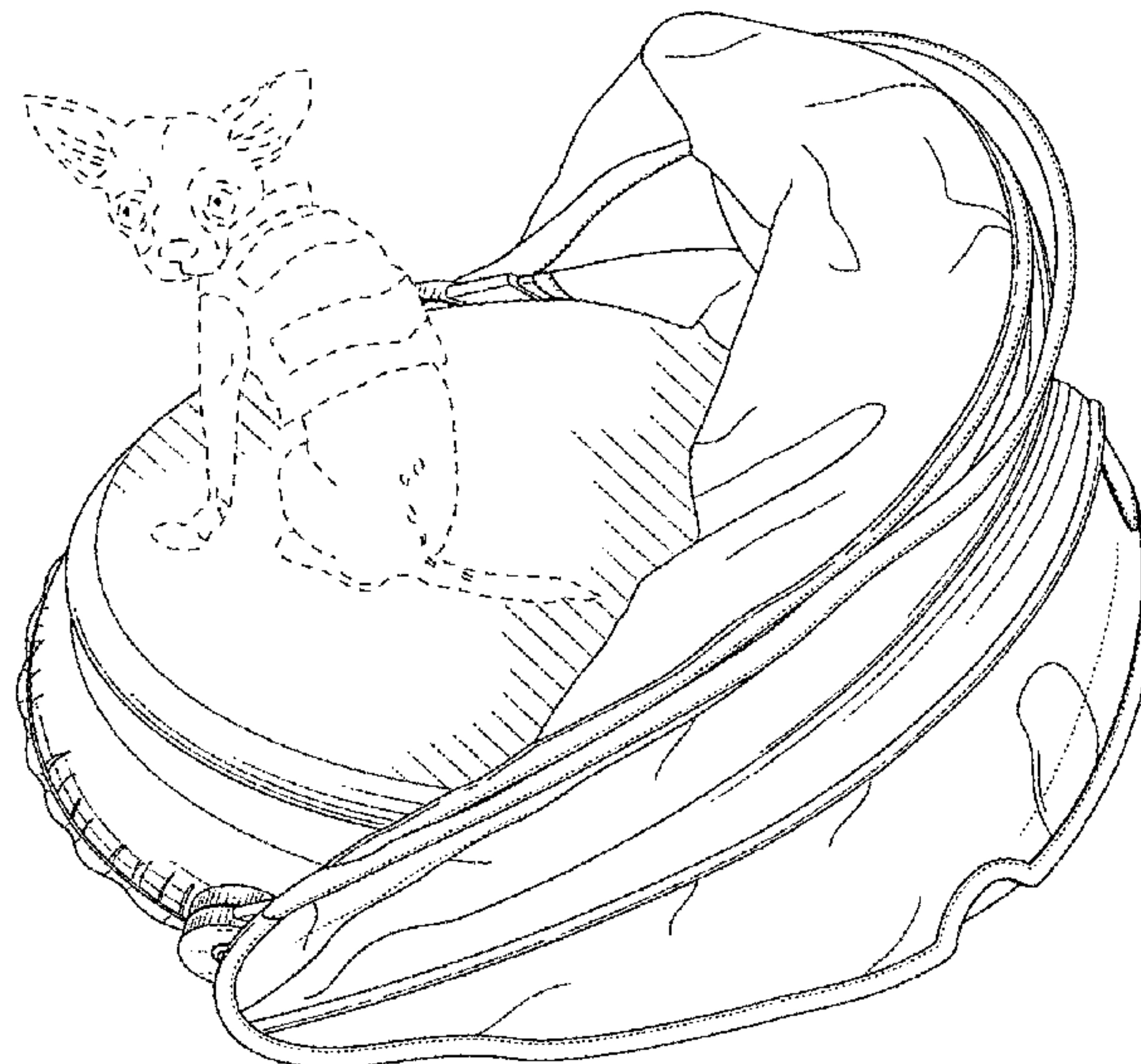
I claim the ornamental design for a small dog pool float, as shown and described.

DESCRIPTION

FIG. 1 is a top perspective view of a small dog pool float, shown with the hood portion in a collapsed position; FIG. 2 is a front view thereof; FIG. 3 is a rear view thereof; FIG. 4 is a right side elevation view thereof; FIG. 5 is a left side elevation view thereof; FIG. 6 is a top plan view thereof; FIG. 7 is a bottom view thereof; FIG. 8 is an in-use perspective view thereof; FIG. 9 is a front view thereof; FIG. 10 is a rear, top perspective view of the small dog pool float, shown with the hood in an expanded position; FIG. 11 is a front elevation view thereof; FIG. 12 is a rear elevation view thereof; FIG. 13 is a right side elevation view thereof; FIG. 14 is a left side elevation view thereof; FIG. 15 is a top plan view thereof; and, FIG. 16 is a bottom view thereof.

The broken line showing of a dog in FIGS. 8 and 9 is for the illustrative purpose of depicting the float in use, and forms no part of the design claim.

1 Claim, 12 Drawing Sheets



(56)

References Cited

U.S. PATENT DOCUMENTS

- 5,749,314 A * 5/1998 Pelham A01K 1/0353
119/28.5
- D395,143 S * 6/1998 McMahon D30/118
- 5,765,502 A * 6/1998 Haugh A01K 1/0353
119/28.5
- 5,766,052 A * 6/1998 Metro A47C 15/006
441/130
- 5,769,022 A * 6/1998 Luxford B63B 17/02
114/345
- D397,755 S * 9/1998 Peterson D21/803
- 5,806,118 A * 9/1998 Lerner A45C 9/00
135/133
- 5,813,066 A * 9/1998 Gebhard A47D 15/008
5/424
- D400,949 S * 11/1998 Gale D21/834
- D409,971 S * 5/1999 Elsholz D12/316
- 5,899,782 A * 5/1999 Martin B63B 35/815
114/253
- D418,611 S * 1/2000 Montague, III D25/56
- D421,131 S * 2/2000 Lynch D25/34
- D425,166 S * 5/2000 Mattson D21/837
- D428,955 S * 8/2000 Peterson D21/801
- D429,592 S * 8/2000 Dohan D6/601
- D429,787 S * 8/2000 Peterson D21/803
- D430,845 S * 9/2000 Elsholz D12/316
- D435,620 S * 12/2000 Peterson D12/316
- 6,199,229 B1 * 3/2001 Wong E04H 15/006
135/125
- 6,209,150 B1 * 4/2001 Hsu E04H 4/0025
4/499
- 6,234,857 B1 * 5/2001 Suellentrop B63B 35/76
114/346
- 6,296,305 B1 * 10/2001 Lamka A47C 15/006
297/184.13
- 6,349,732 B1 * 2/2002 Cooper E04H 6/005
135/116
- 6,394,868 B1 * 5/2002 Katz A47C 15/006
441/130
- D466,176 S * 11/2002 Peterson D21/803
- D476,712 S * 7/2003 Peterson D21/803
- 6,589,089 B1 * 7/2003 Glass A47C 15/006
297/250.1
- 6,594,840 B2 * 7/2003 Tomas A47D 9/00
5/101
- D483,088 S * 12/2003 Zheng D21/803
- D483,296 S * 12/2003 Peterson D12/11
- D484,940 S * 1/2004 Peterson D21/803
- 6,881,114 B2 * 4/2005 Zheng B63B 7/08
441/129
- 6,896,569 B1 * 5/2005 Wittenrich B63B 35/76
114/346
- 7,040,334 B2 * 5/2006 Pham A45B 23/00
135/117
- D527,784 S * 9/2006 Peterson D21/803
- D530,772 S * 10/2006 Peterson D21/809
- D532,075 S * 11/2006 Turner D22/199
- D534,615 S * 1/2007 van Aalst D21/834
- D535,349 S * 1/2007 Shinner D21/834
- D538,875 S * 3/2007 Rockstad D21/803
- D538,876 S * 3/2007 Peterson D21/803
- D538,877 S * 3/2007 Peterson D21/803
- D549,296 S * 8/2007 Peterson D21/803
- D551,731 S * 9/2007 Peterson D21/803
- D552,203 S * 10/2007 Peterson D21/803
- D554,221 S * 10/2007 Peterson D21/803
- D554,222 S * 10/2007 Peterson D21/803
- D556,284 S * 11/2007 Peterson D21/803
- D556,286 S * 11/2007 Peterson D21/803
- 7,316,239 B2 * 1/2008 Yang E04H 15/003
135/117
- D561,401 S * 2/2008 Martin D30/118
- 7,373,900 B2 * 5/2008 Duncan A01K 1/0353
119/28.5
- D572,463 S * 7/2008 Richardson D3/5
- D574,459 S * 8/2008 Peterson D21/801
- D583,109 S * 12/2008 Lindsay D30/122
- D598,229 S * 8/2009 Allen D6/596
- D611,557 S * 3/2010 Johnson D21/803
- D616,954 S * 6/2010 Flynn D21/803
- D632,354 S * 2/2011 Perry D21/803
- 7,891,732 B2 * 2/2011 Hei A47C 7/66
297/184.13
- D643,131 S * 8/2011 Howard D25/15
- 8,011,727 B1 * 9/2011 Martinez B60N 2/2881
297/180.11
- D646,741 S * 10/2011 Akaka D21/837
- D650,462 S * 12/2011 Parten D21/803
- D652,883 S * 1/2012 VanElverdinghe D21/801
- 8,104,429 B2 * 1/2012 Bennett A01K 1/0272
119/28.5
- 8,187,047 B1 * 5/2012 Brooks B63B 35/76
114/345
- D661,362 S * 6/2012 Zimmer D21/834
- D668,308 S * 10/2012 Gilmore D21/803
- 8,287,038 B2 * 10/2012 Henderson B62B 9/142
280/47.38
- 8,328,594 B2 * 12/2012 Hall A47D 13/06
446/227
- 8,360,084 B1 * 1/2013 Robinson E04H 6/005
135/133
- D678,447 S * 3/2013 Peterson D21/803
- 8,397,672 B2 * 3/2013 Zine A01K 1/0353
119/28.5
- 8,464,379 B1 * 6/2013 Zajac A61G 1/04
5/113
- 8,523,621 B2 * 9/2013 Whitman B63B 35/73
114/345
- D697,336 S * 1/2014 Perry D21/803
- D699,900 S * 2/2014 Popkin D30/118
- D721,413 S * 1/2015 Zimmer D21/837
- D724,162 S * 3/2015 James A63B 23/1236
D21/688
- 9,011,196 B2 * 4/2015 Weisman A63H 33/006
446/227
- D739,555 S * 9/2015 McAlister D21/837
- 9,150,283 B2 * 10/2015 Braaten-Boyd B63B 17/02
- D746,934 S * 1/2016 Hsu D21/803
- D755,109 S * 5/2016 Braaten-Boyd D12/317
- D756,530 S * 5/2016 McAlister D21/834
- D756,612 S * 5/2016 Broderick D2/880
- 9,364,699 B2 * 6/2016 Gordon A63B 5/11
- D763,391 S * 8/2016 Xu D21/837
- 9,409,583 B1 * 8/2016 Bors B62B 1/12
- D766,535 S * 9/2016 Bors D34/28
- 9,492,015 B1 * 11/2016 Mitchell A47C 7/66
- D773,579 S * 12/2016 Shir D21/837
- D775,296 S * 12/2016 Shir D21/837
- D778,383 S * 2/2017 Xu D21/837
- D787,618 S * 5/2017 Hsu D21/815
- D792,031 S * 7/2017 Geldermann D30/118
- D804,200 S * 12/2017 Ka Hung D6/333
- D810,221 S * 2/2018 Hsu D21/803
- D817,599 S * 5/2018 Broderick D2/719
- D828,963 S * 9/2018 Hansen D30/118
- D833,558 S * 11/2018 Elson D21/834
- D837,326 S * 1/2019 Chin D21/804
- D846,678 S * 4/2019 Arias D21/803
- D847,929 S * 5/2019 Chin Gerding D21/803
- D855,812 S * 8/2019 Hanna D24/183
- D857,422 S * 8/2019 Trieu D6/596
- D862,120 S * 10/2019 Clute D6/604
- 2003/0066550 A1 * 4/2003 Al-Ghamdi E04H 15/38
135/121
- 2003/0220032 A1 * 11/2003 Hsu A47C 15/006
441/131
- 2005/0101202 A1 * 5/2005 Snell A47C 15/006
441/87
- 2005/0125894 A1 * 6/2005 Bandak A47C 1/146
5/418
- 2005/0194028 A1 * 9/2005 Shinner E04H 15/006
135/90

(56)

References Cited

U.S. PATENT DOCUMENTS

2006/0033674	A1*	2/2006	Essig, Jr.	B01D 61/06 343/912	2009/0007331	A1*	1/2009	Lamstein	A01K 1/0353 5/418
2006/0070577	A1*	4/2006	Foley	A01K 1/0353 119/28.5	2012/0012144	A1*	1/2012	Cebular	A47C 1/143 135/96
2006/0199166	A1*	9/2006	Snyder	A47D 15/001 434/365	2012/0062001	A1*	3/2012	Krasley	B62B 9/142 297/184.13
2007/0066162	A1*	3/2007	Zheng	A47C 15/006 441/130	2012/0067387	A1*	3/2012	Whybrew	B63G 13/02 135/96
2007/0079444	A1*	4/2007	Ward	A47D 13/066 5/655	2013/0152987	A1*	6/2013	Nelson	E04H 15/36 135/96
2007/0084411	A1*	4/2007	Bennett	A01K 1/0272 119/28.5	2013/0323992	A1*	12/2013	Berenson	A63H 23/00 441/131
2007/0141925	A1*	6/2007	Turner	A47C 15/006 441/129	2015/0007776	A1*	1/2015	Dees	A01K 1/0353 119/28.5
2007/0295380	A1*	12/2007	Glaeser	E04H 15/38 135/133	2016/0067623	A1*	3/2016	Hansen	A63H 33/22 446/227
2008/0066794	A1*	3/2008	Durfee	A01M 31/025 135/96	2016/0362906	A1*	12/2016	Farris	E04H 15/48
					2017/0049238	A1*	2/2017	Gilbert	A47C 7/66
					2018/0228298	A1*	8/2018	Chin Gerding	A47D 1/00
					2019/0045935	A1*	2/2019	Autore	A47C 7/66
					2019/0246801	A1*	8/2019	Sloop	A47C 15/006

* cited by examiner

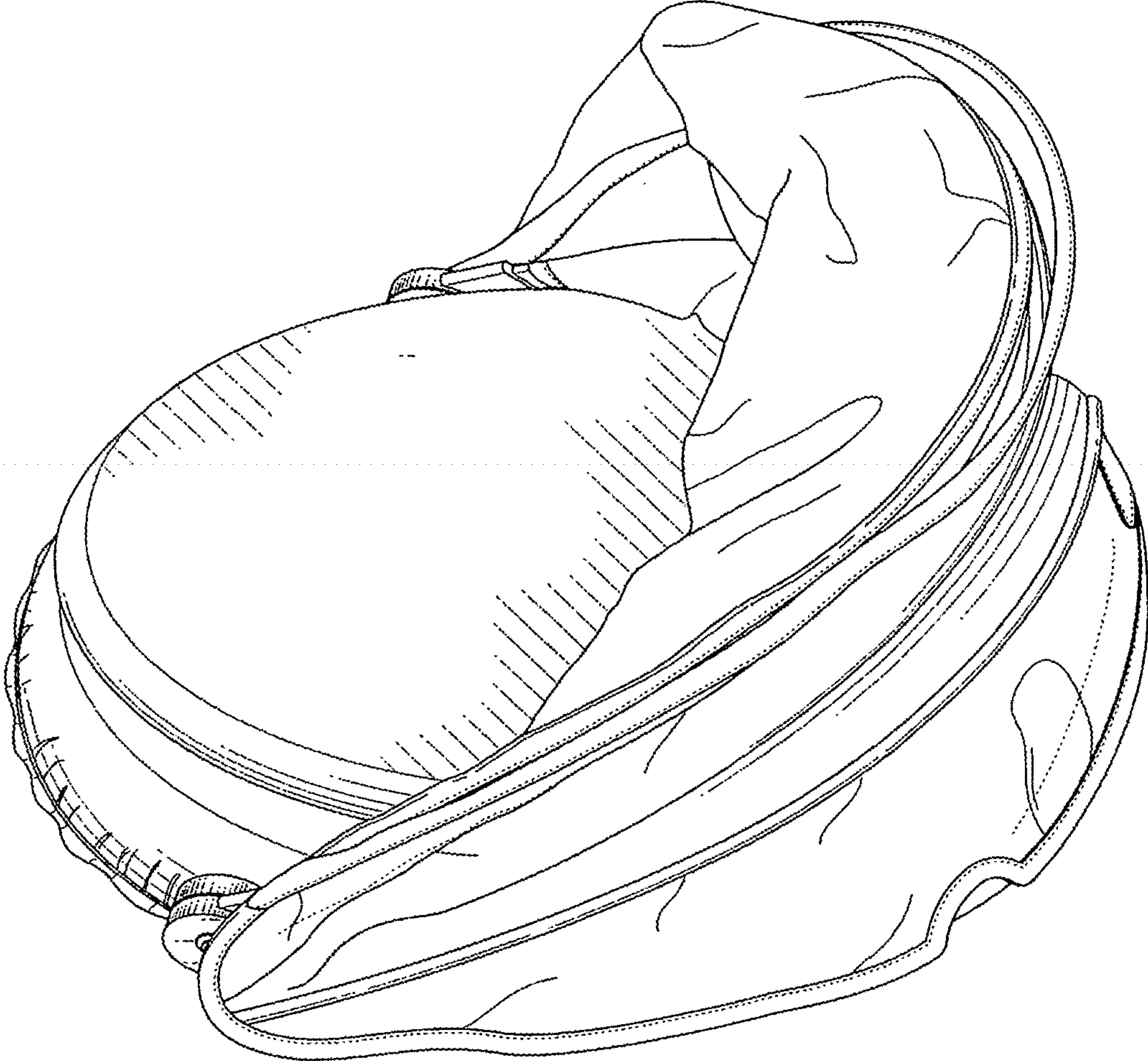


FIG. 1

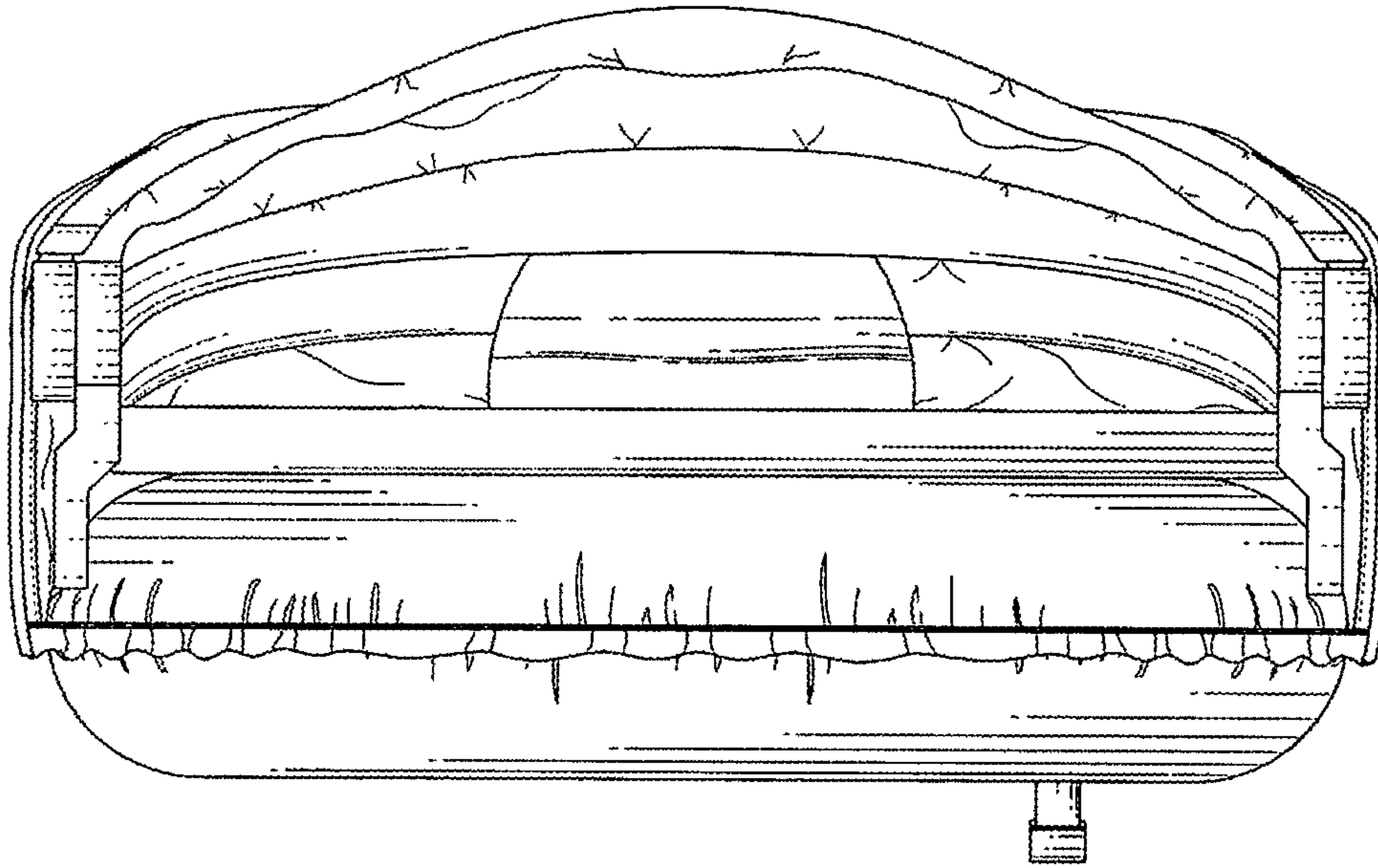


FIG. 2

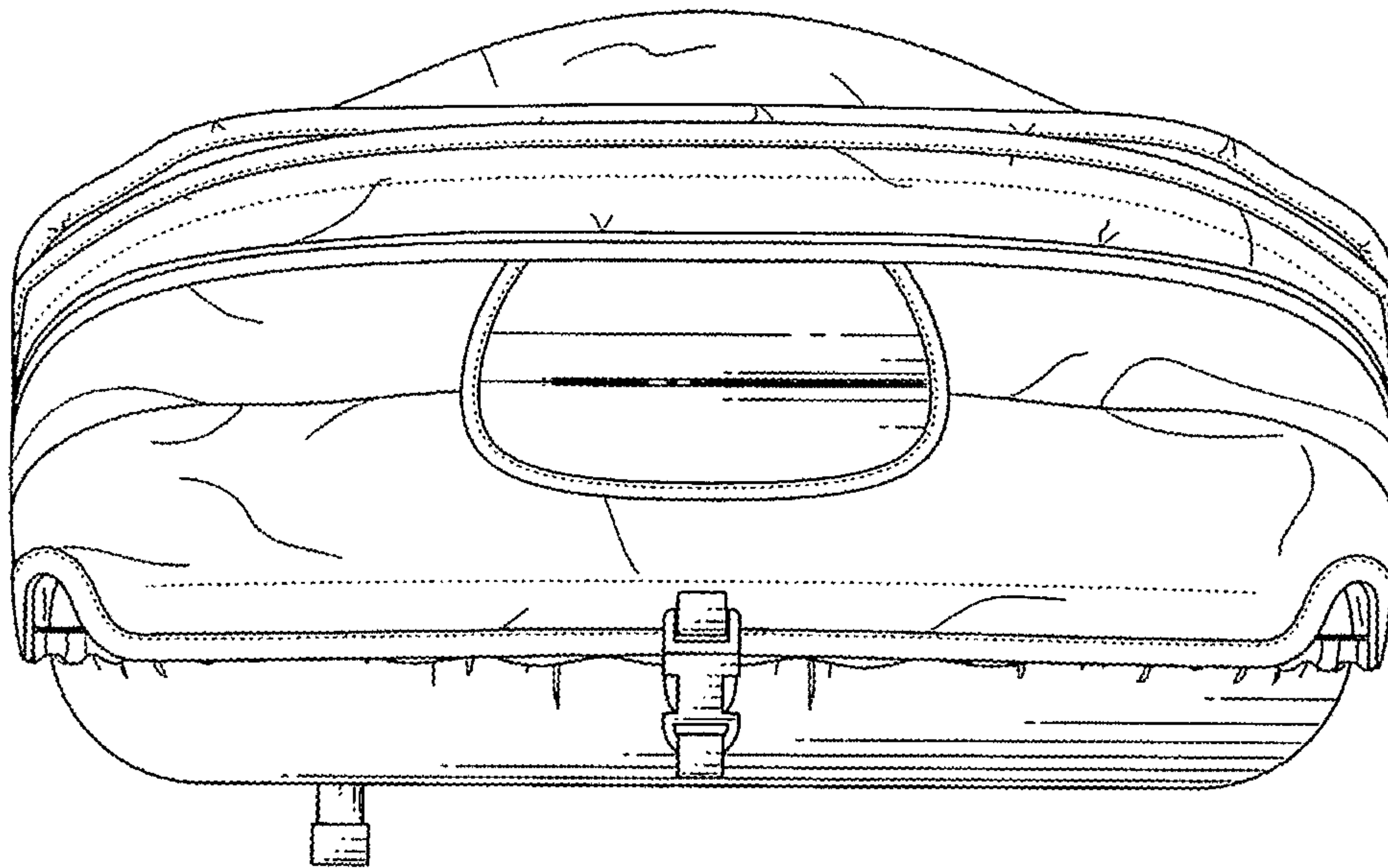


FIG. 3

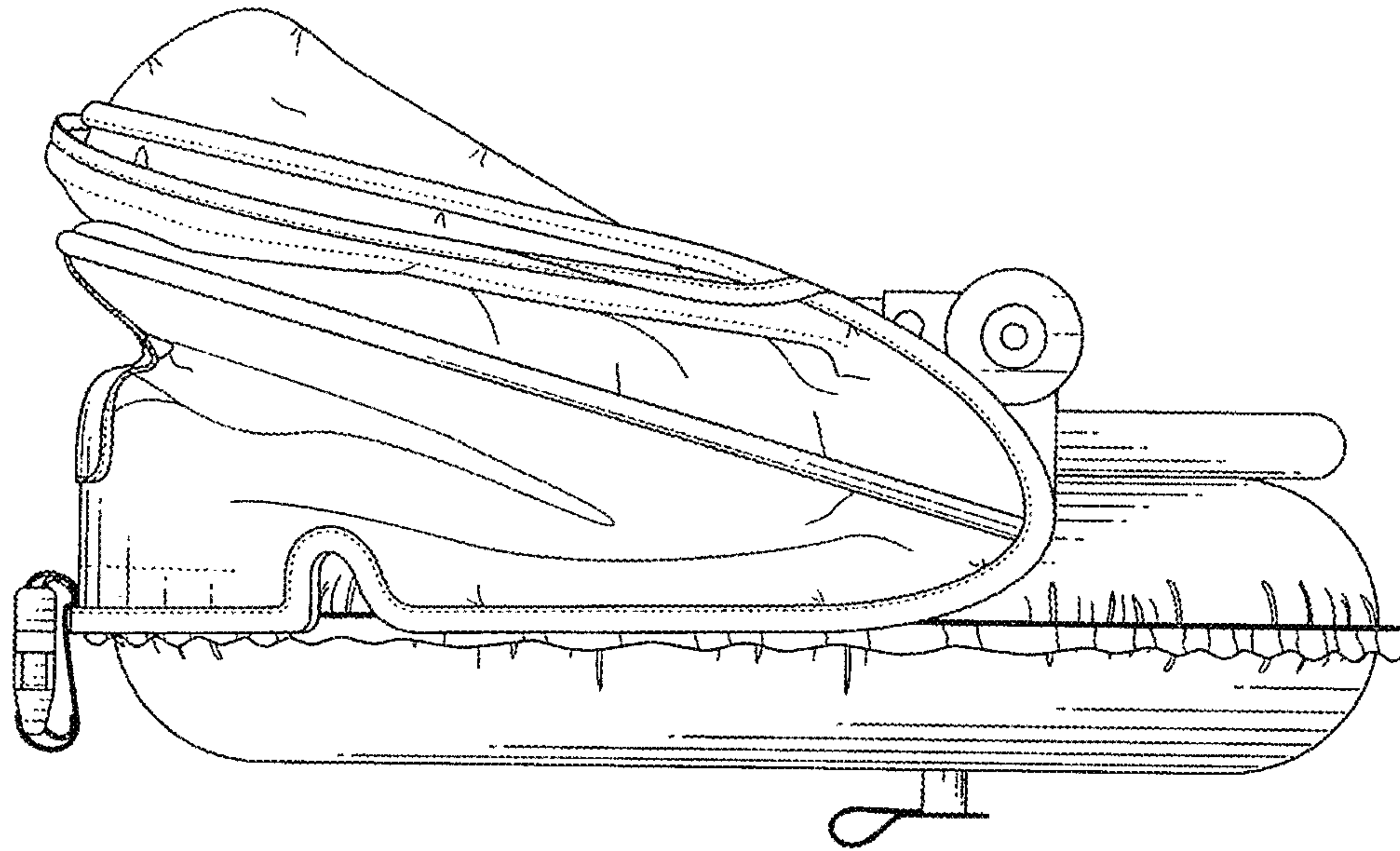


FIG. 4

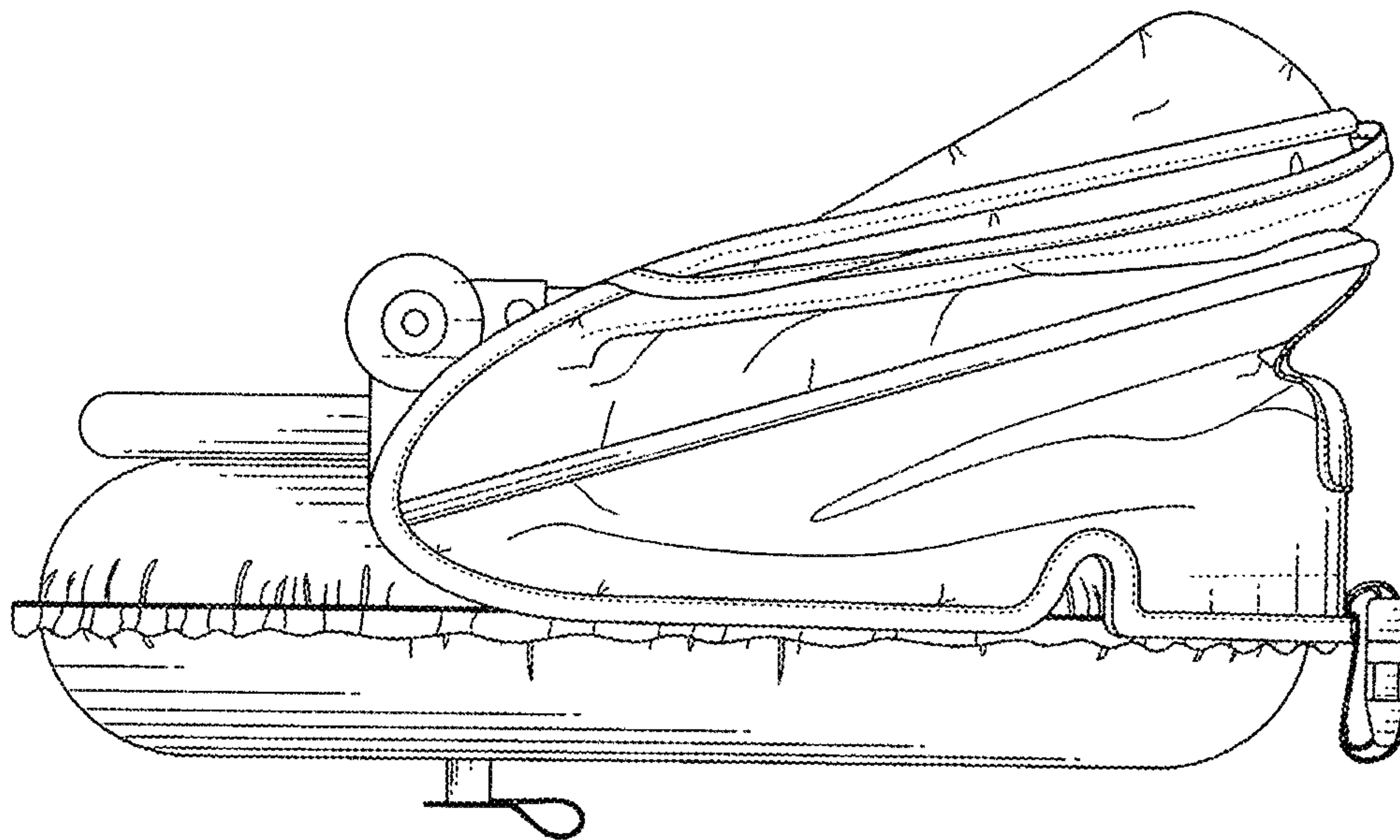


FIG. 5

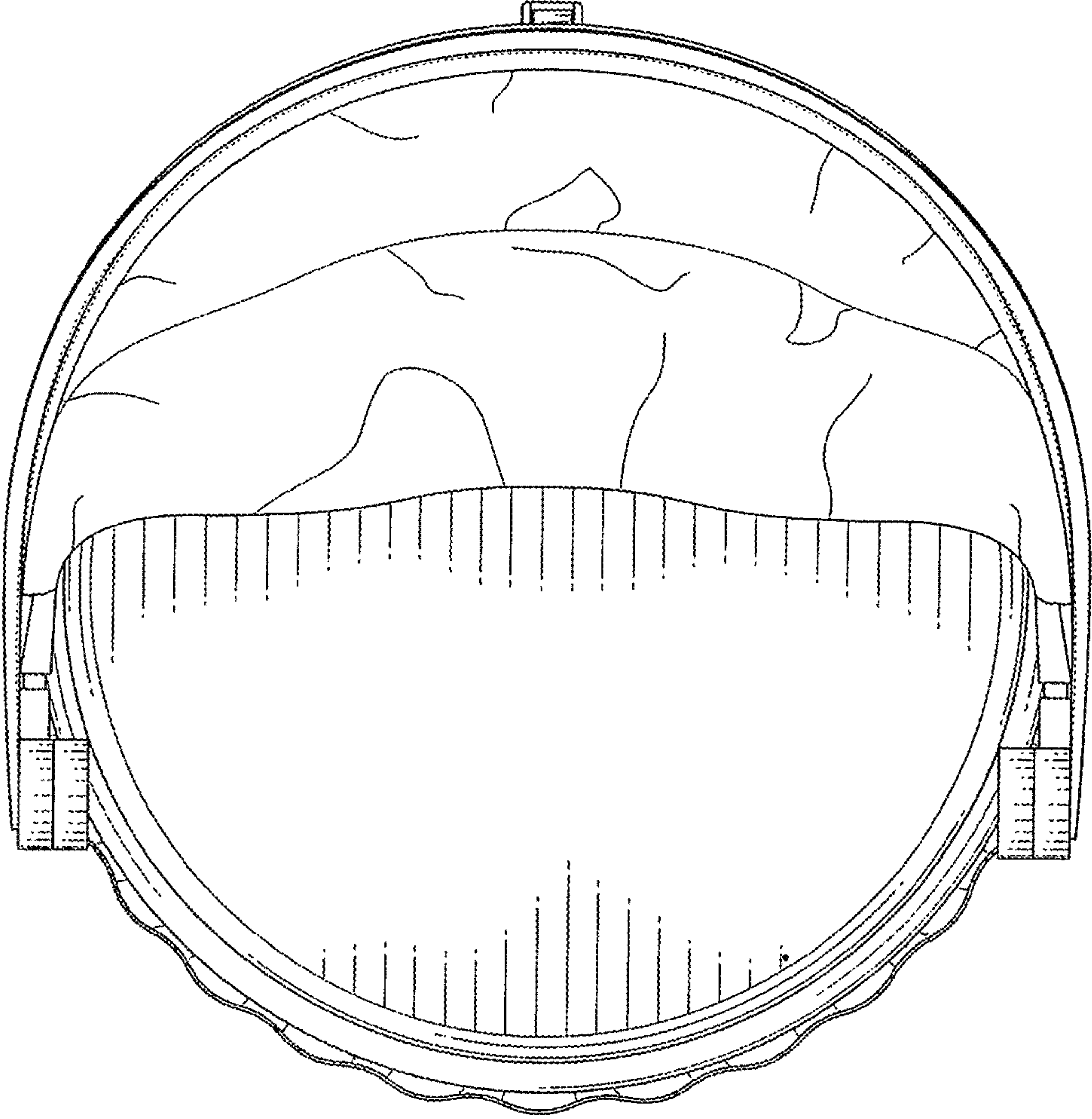


FIG. 6

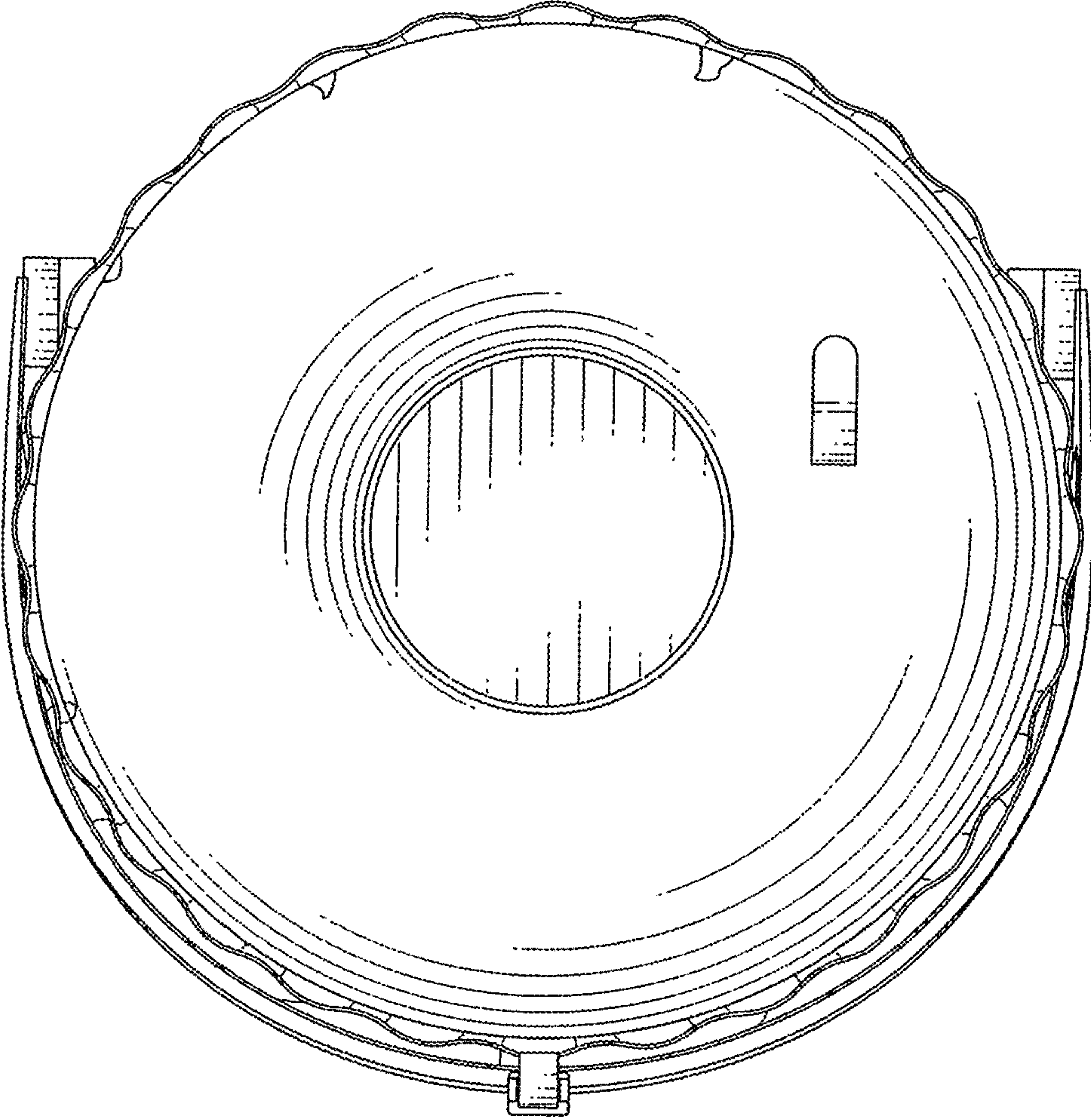


FIG. 7

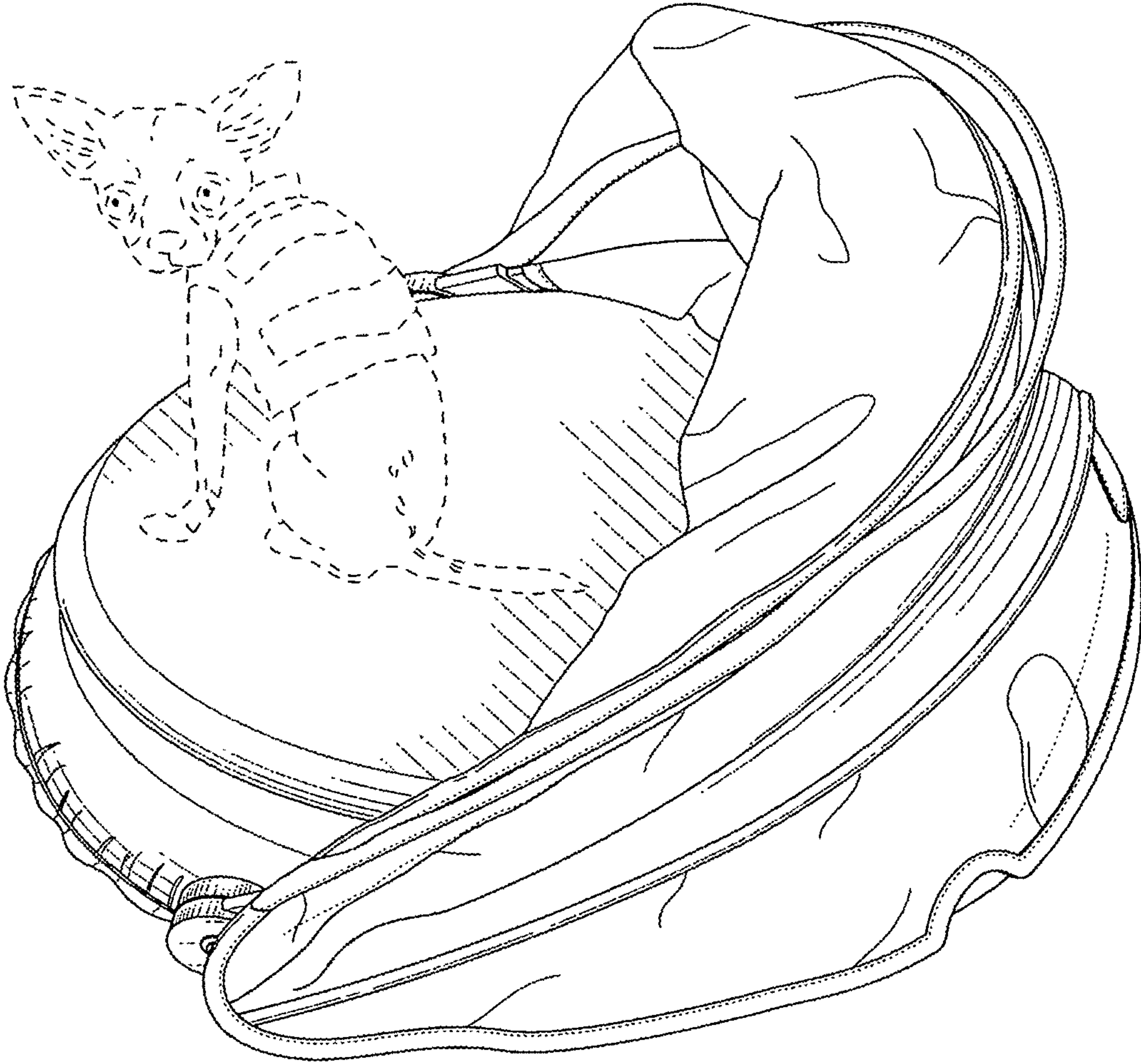


FIG. 8

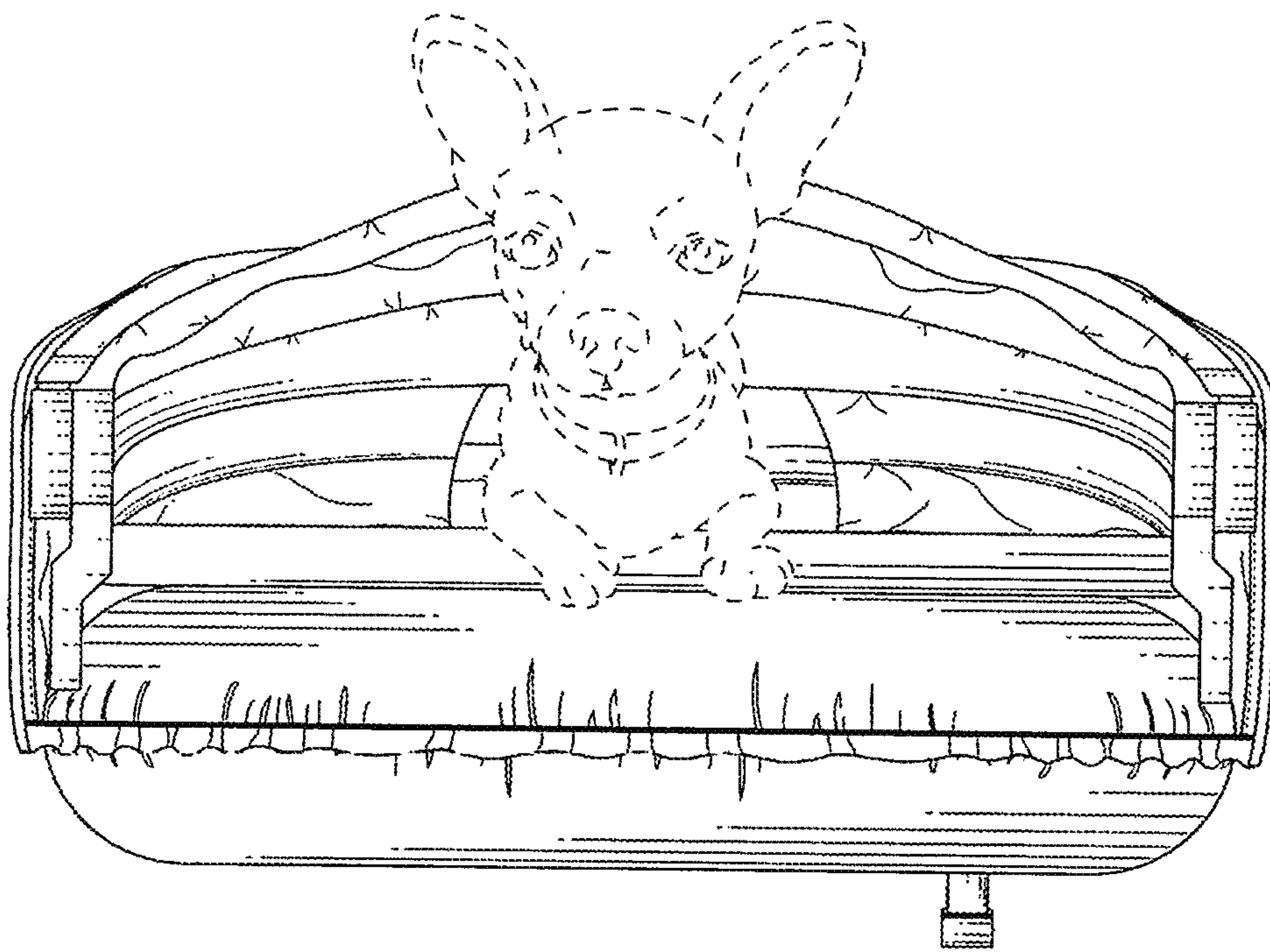


FIG. 9

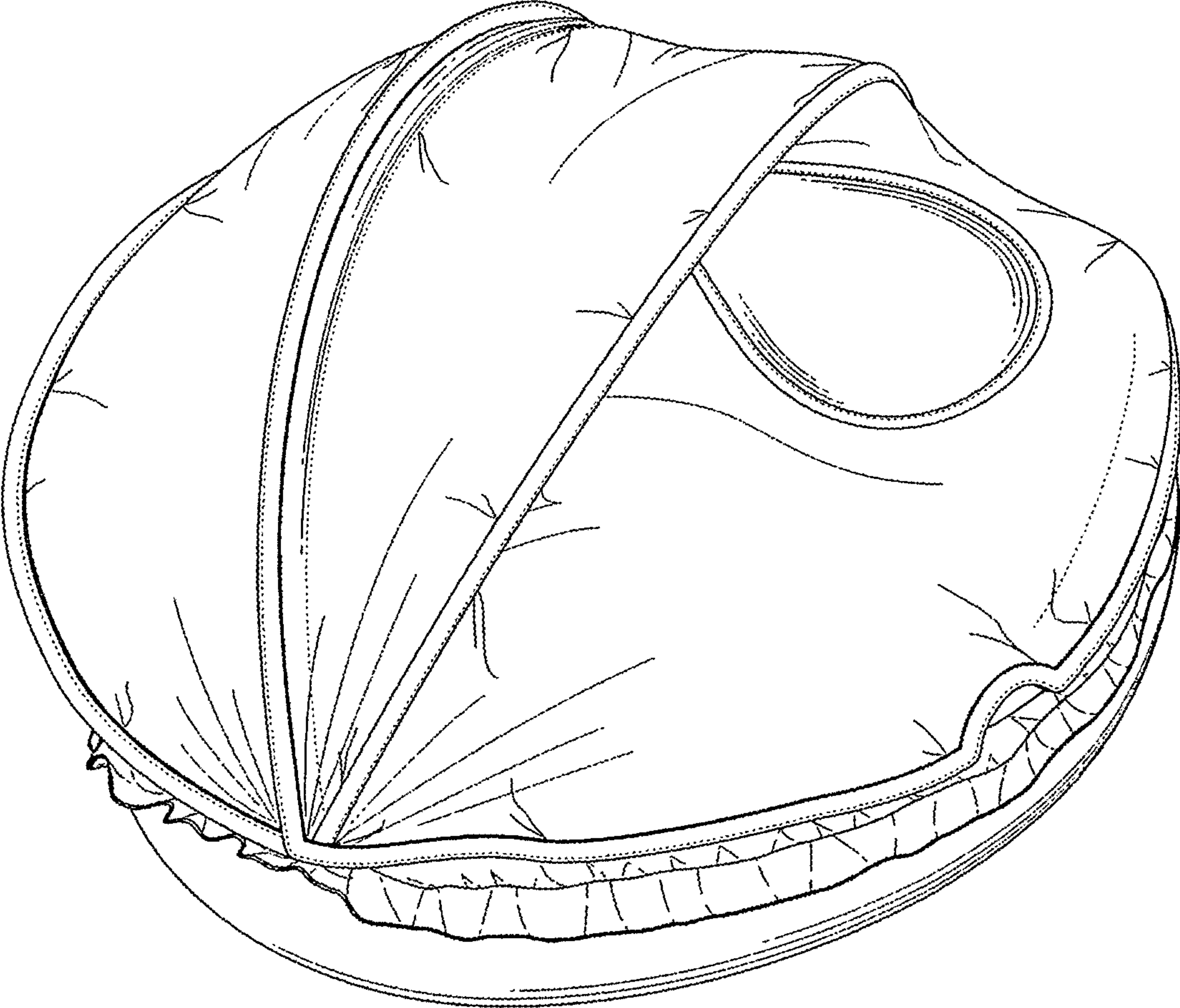


FIG. 10

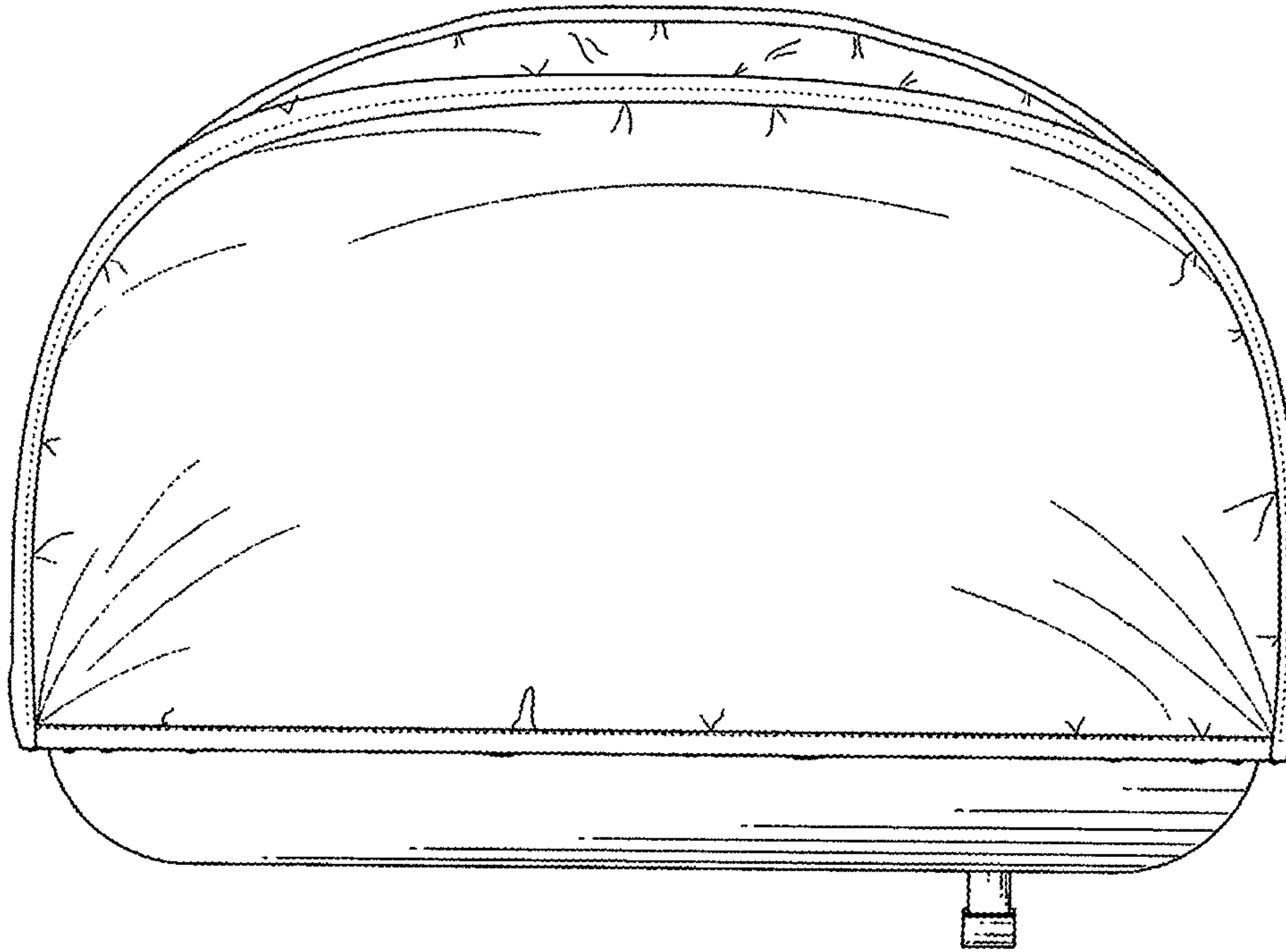


FIG. 11

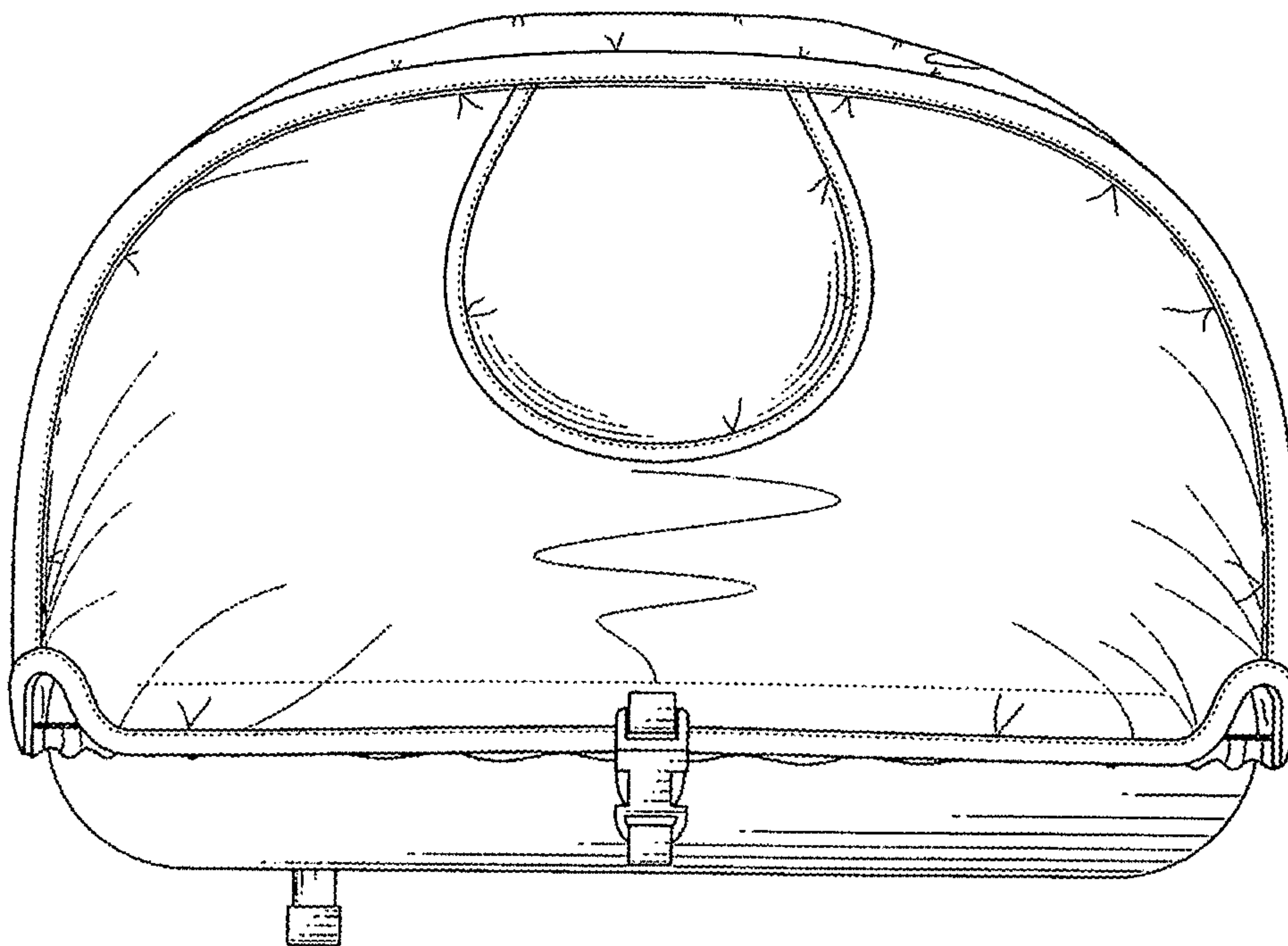


FIG. 12

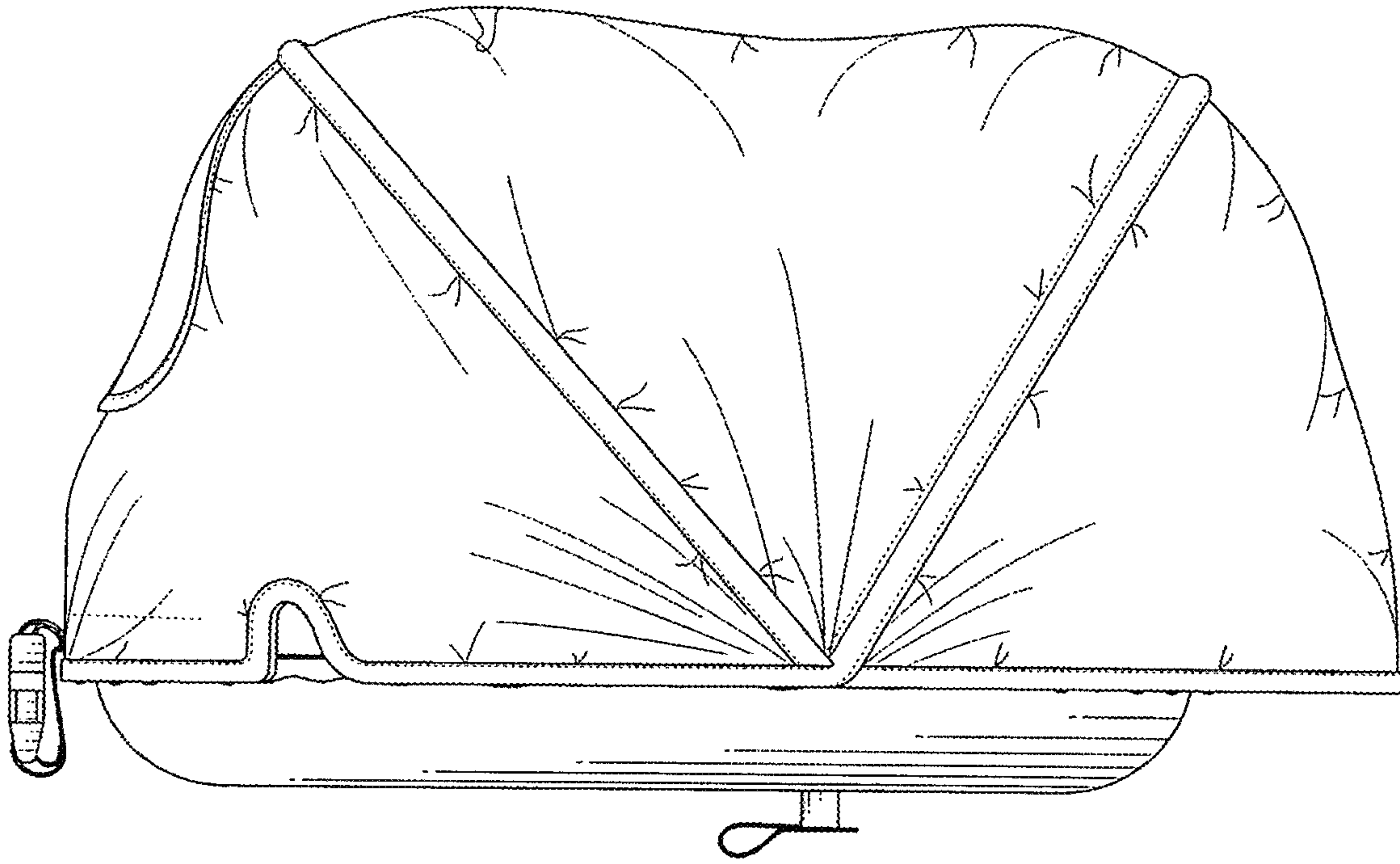


FIG. 13

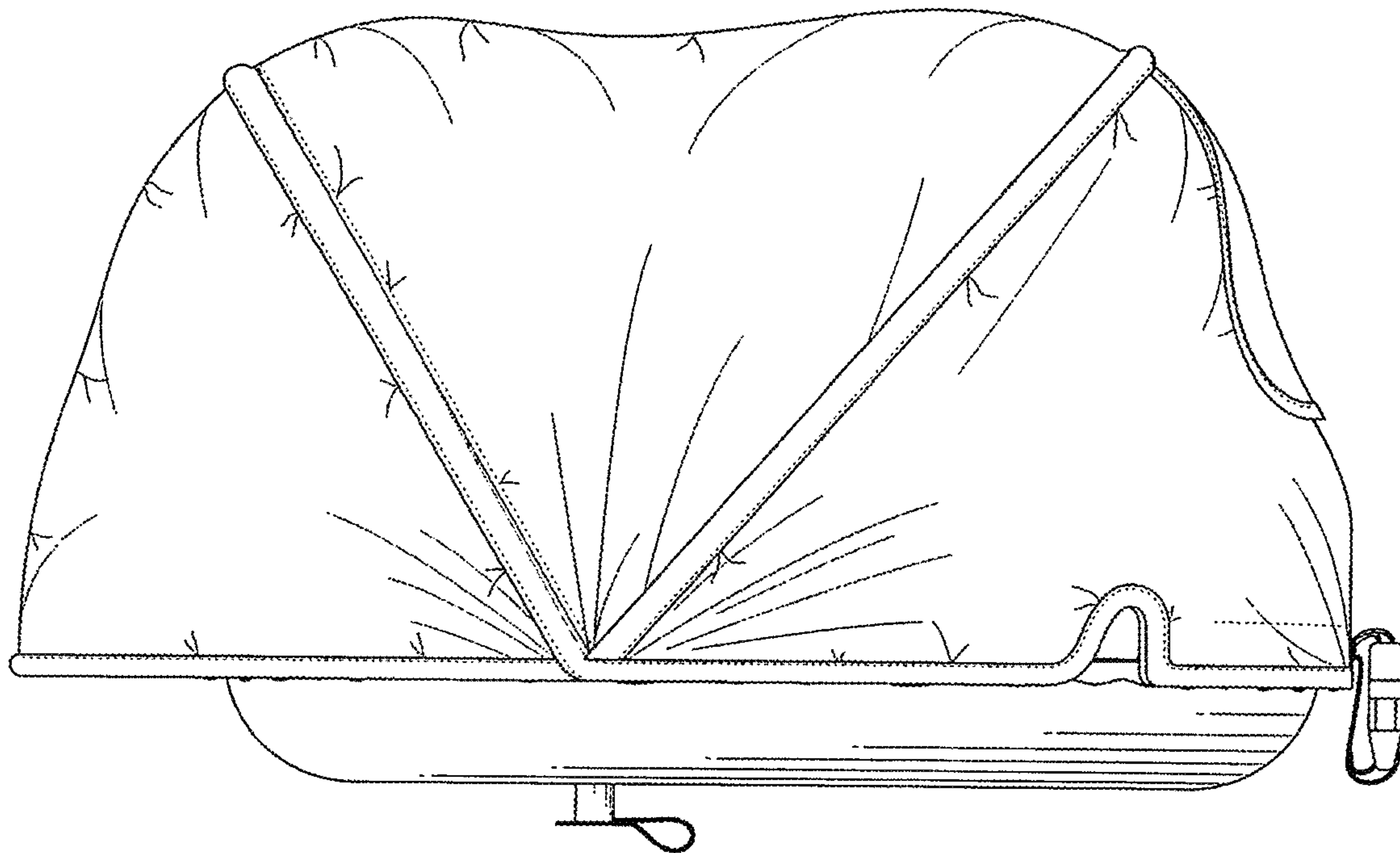


FIG. 14

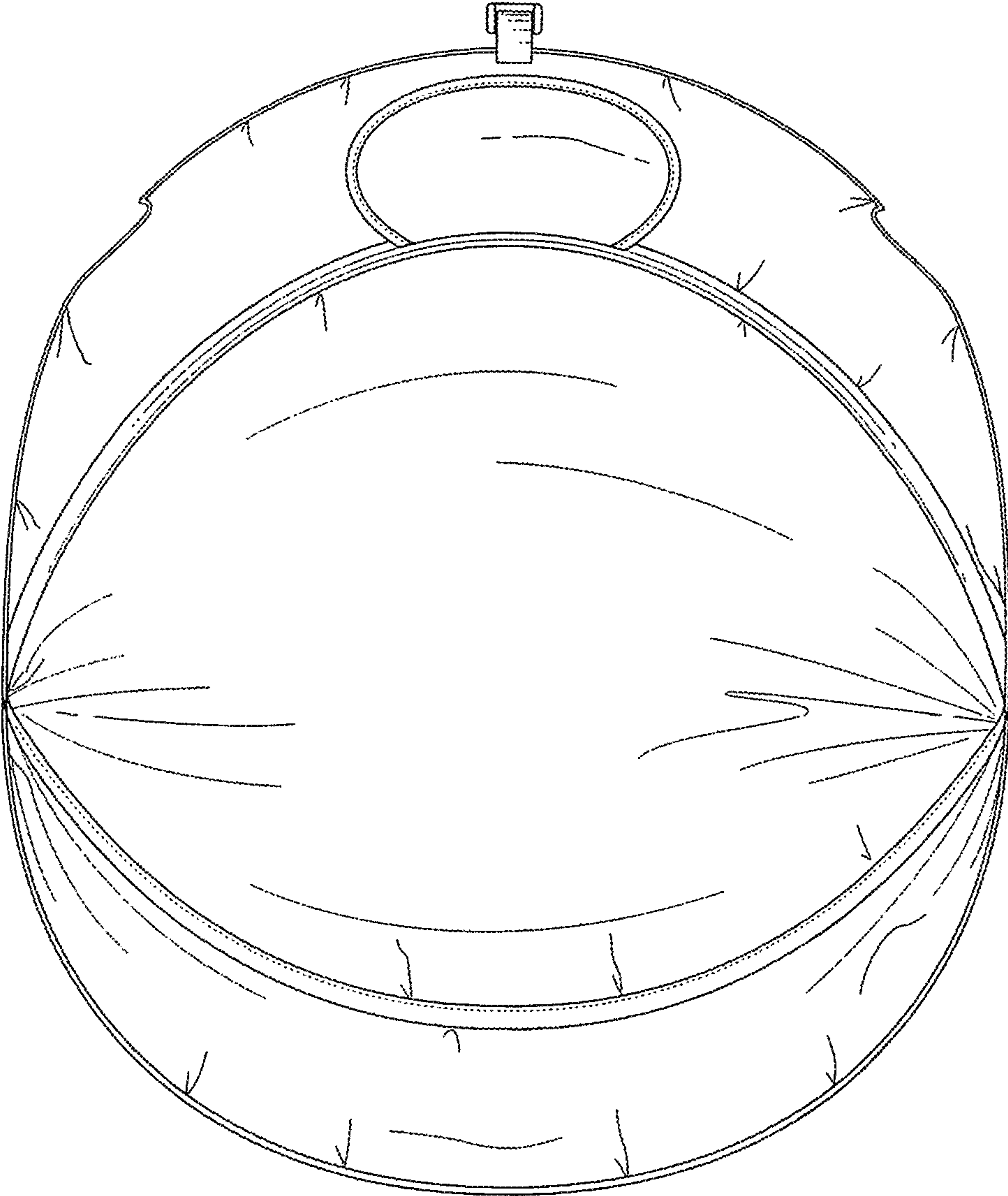


FIG. 15

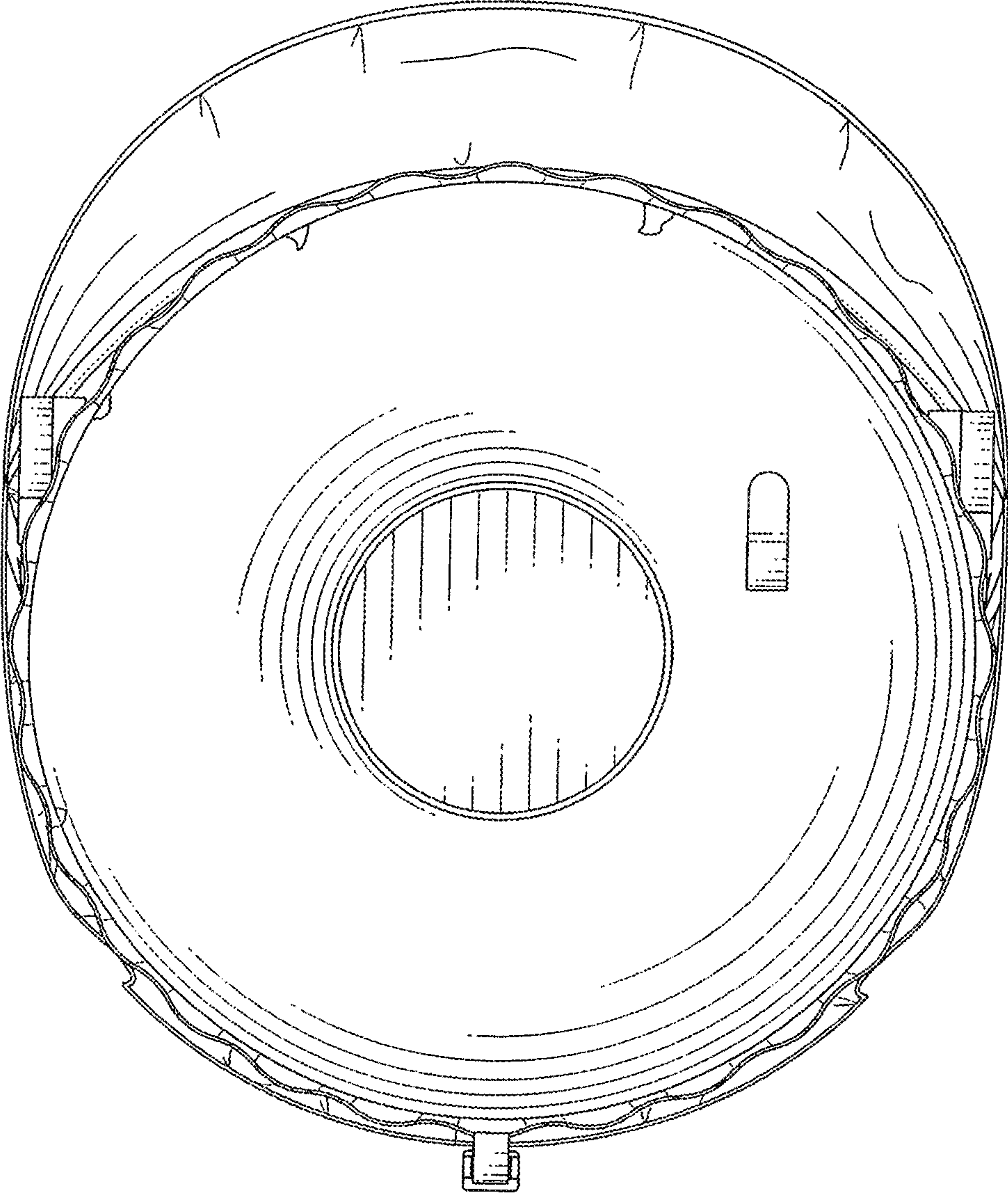


FIG. 16