



US00D881486S

(12) **United States Design Patent** (10) **Patent No.:** **US D881,486 S**  
**Li** (45) **Date of Patent:** **\*\* Apr. 14, 2020**

- (54) **TRANSMITTER OF DOG TRAINING COLLAR** D560,527 S \* 1/2008 Rich ..... D10/78  
RE40,799 E \* 6/2009 Chen ..... G06Q 90/00  
701/33.2
- (71) Applicant: **Shenzhen Patpet Technology CO. LTD., Shenzhen (CN)** D624,838 S \* 10/2010 Chen ..... D10/78  
D685,757 S \* 7/2013 Liu ..... D14/155  
D737,004 S \* 8/2015 Russell ..... D30/199  
D774,935 S \* 12/2016 Liu ..... D10/104.1
- (72) Inventor: **Linxian Li, Beijing (CN)** D804,338 S \* 12/2017 Protti ..... D10/78  
D805,701 S \* 12/2017 Li ..... D30/199
- (73) Assignee: **Shenzhen Patpet Technology CO. LTD., Shenzhen (CN)** D806,593 S \* 1/2018 Sova ..... D10/78  
D835,860 S \* 12/2018 Li ..... D30/199  
D838,612 S \* 1/2019 Xie ..... D10/78
- (\*\*) Term: **15 Years** 2009/0102668 A1 \* 4/2009 Thompson ..... A01K 15/023  
340/573.3

(21) Appl. No.: **29/647,488**

\* cited by examiner

(22) Filed: **May 14, 2018**

*Primary Examiner* — Susan Moon Lee

(51) **LOC (12) Cl.** ..... **30-99**

(74) *Attorney, Agent, or Firm* — JiangIP LLC; Yanling

(52) **U.S. Cl.**

Jiang

USPC ..... **D30/199; D10/104.1**

(58) **Field of Classification Search**

(57) **CLAIM**

USPC ..... D30/199, 155; 119/718–721, 712, 905,  
119/908, 859; D10/104.1, 106.1, 104.2,  
D10/106.3; D14/137, 496, 218, 159;  
340/573.3, 573.1, 384.2, 825.76, 538.15,  
340/538.16, 539.1, 539.11, 539.14,  
340/539.15, 539.16, 539.17, 539.18,  
340/539.19, 572.7, 572.8, 572.9, 573.2,  
340/573.4; D13/168

I claim the ornamental design for transmitter of dog training collar, as shown and described.

CPC .. A01K 15/021; A01K 15/022; A01K 15/023;  
A01K 15/029; A01K 15/04; A01K 15/00;  
A01K 15/02; A01K 15/006; A01K  
27/009; A01K 29/005; A01K 29/00

**DESCRIPTION**

See application file for complete search history.

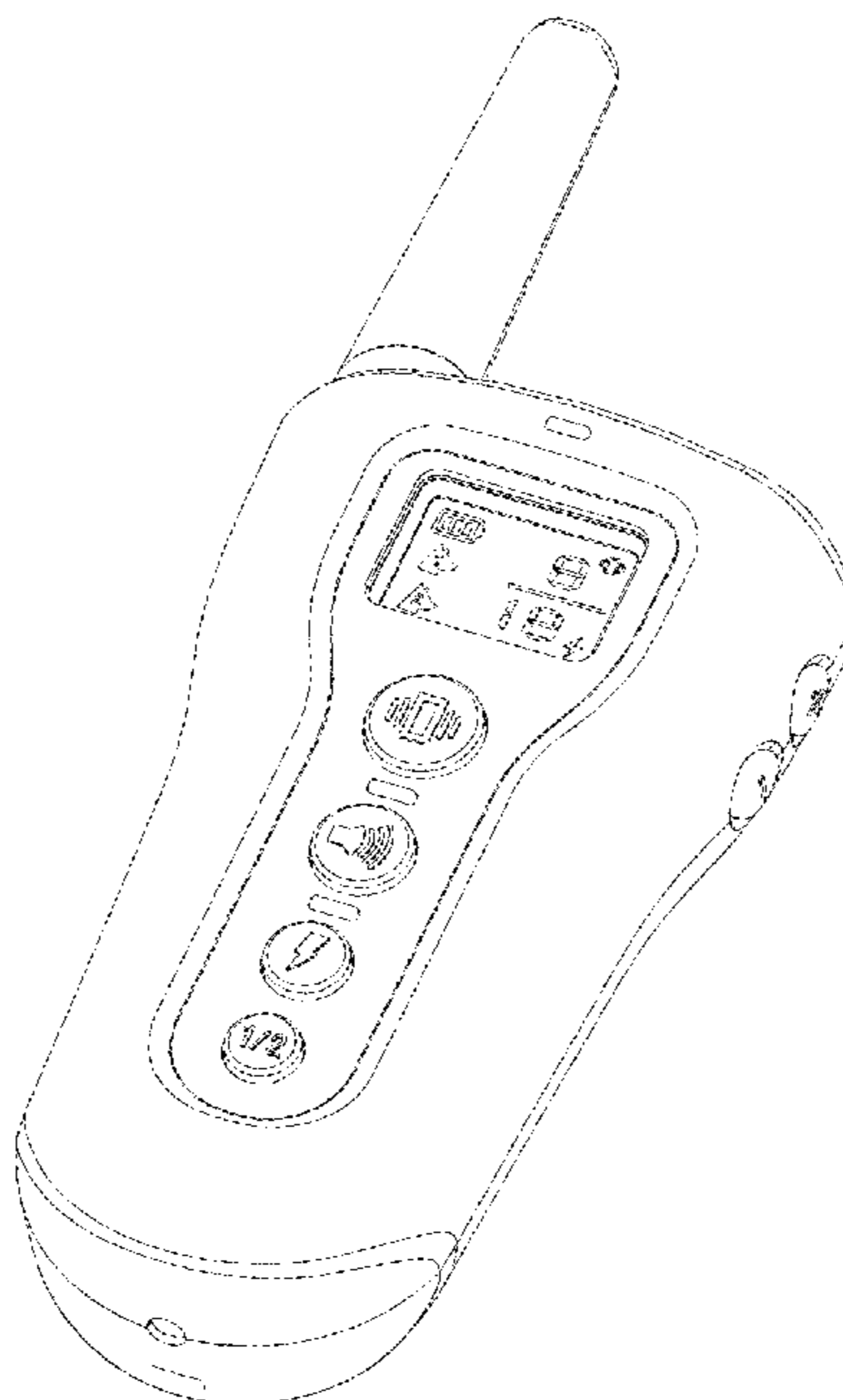
FIG. 1 is a top right perspective view of the transmitter of dog training collar, showing my new design;  
FIG. 2 is a front elevation view thereof;  
FIG. 3 is a rear elevation view thereof;  
FIG. 4 is a top plan view thereof;  
FIG. 5 is a bottom plan view thereof;  
FIG. 6 is a side view thereof; and,  
FIG. 7 is an opposite side view thereof.

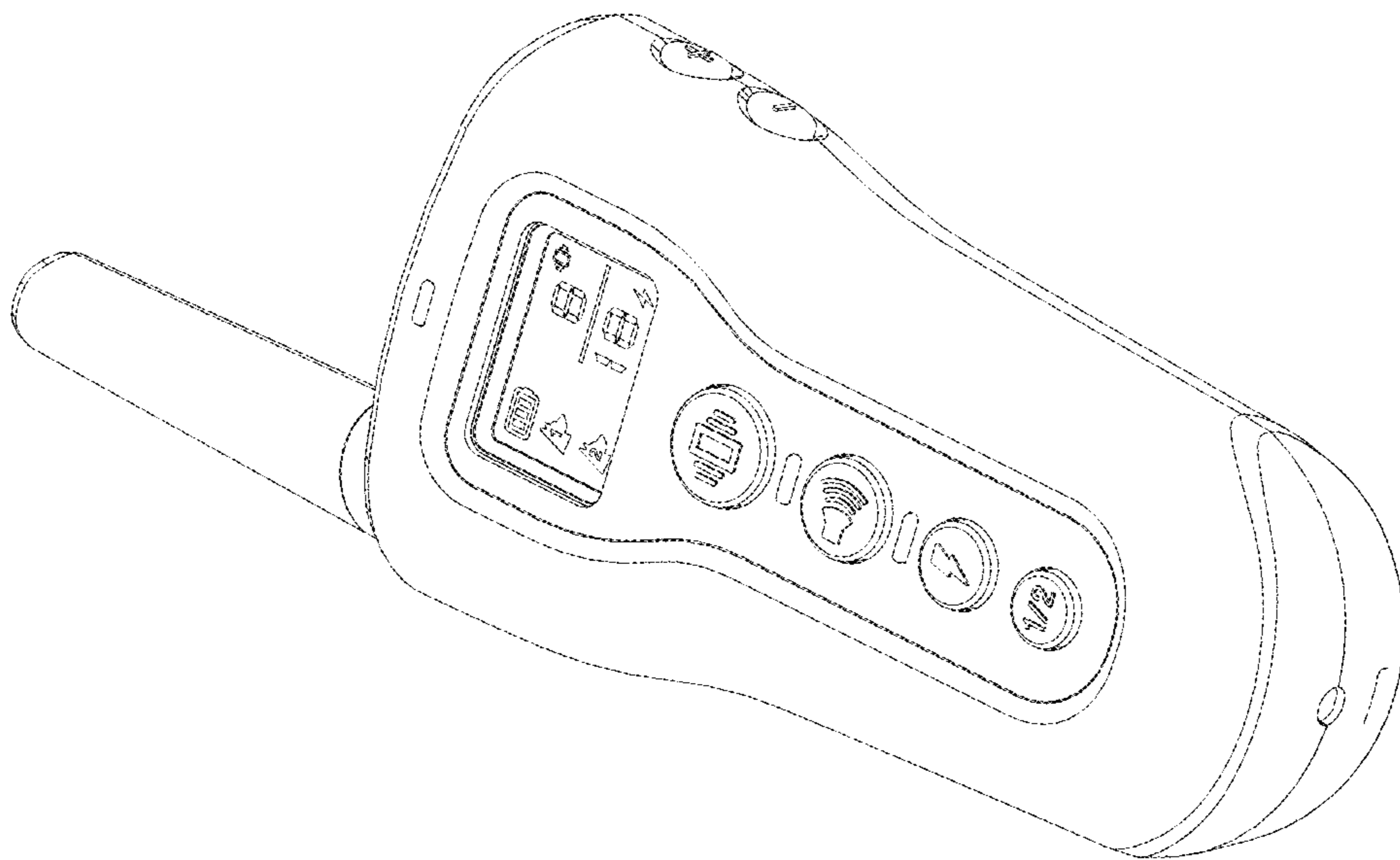
(56) **References Cited**

**U.S. PATENT DOCUMENTS**

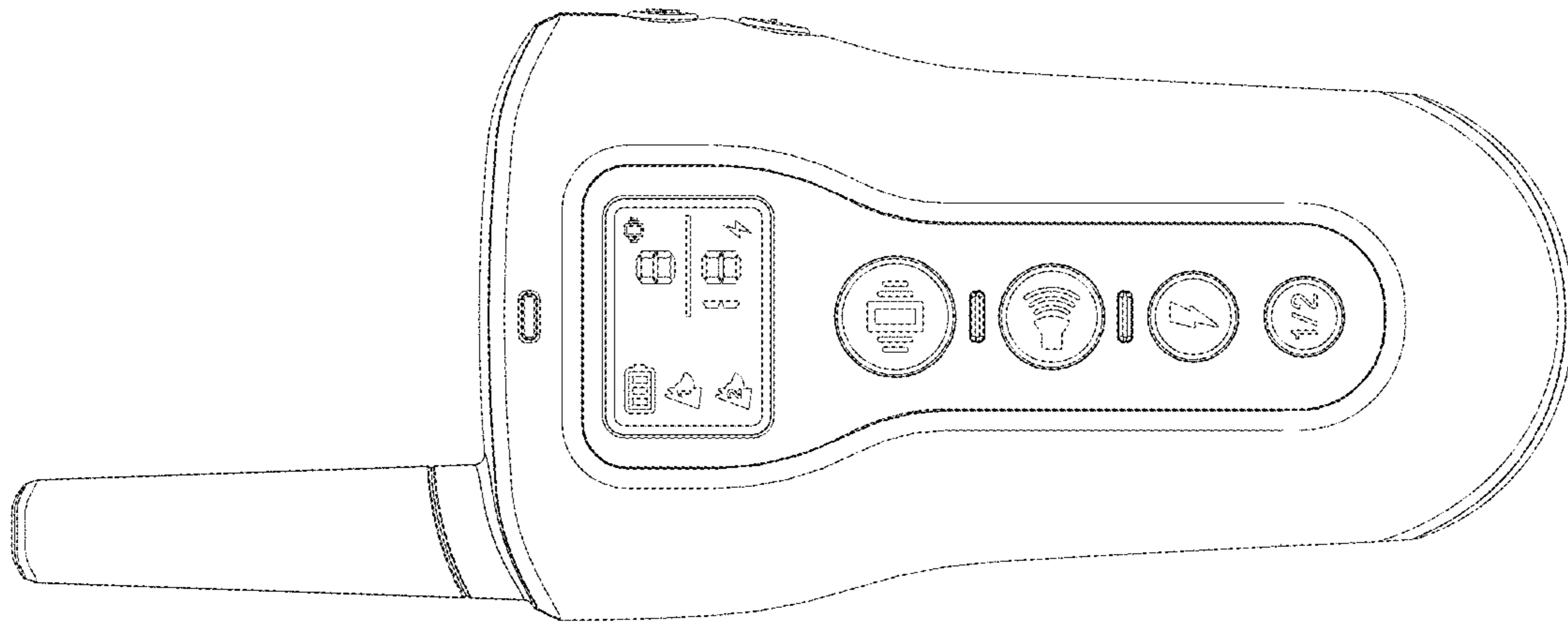
- D451,896 S \* 12/2001 Kim ..... D14/137
- D493,776 S \* 8/2004 Esslinger ..... D14/137

**1 Claim, 7 Drawing Sheets**

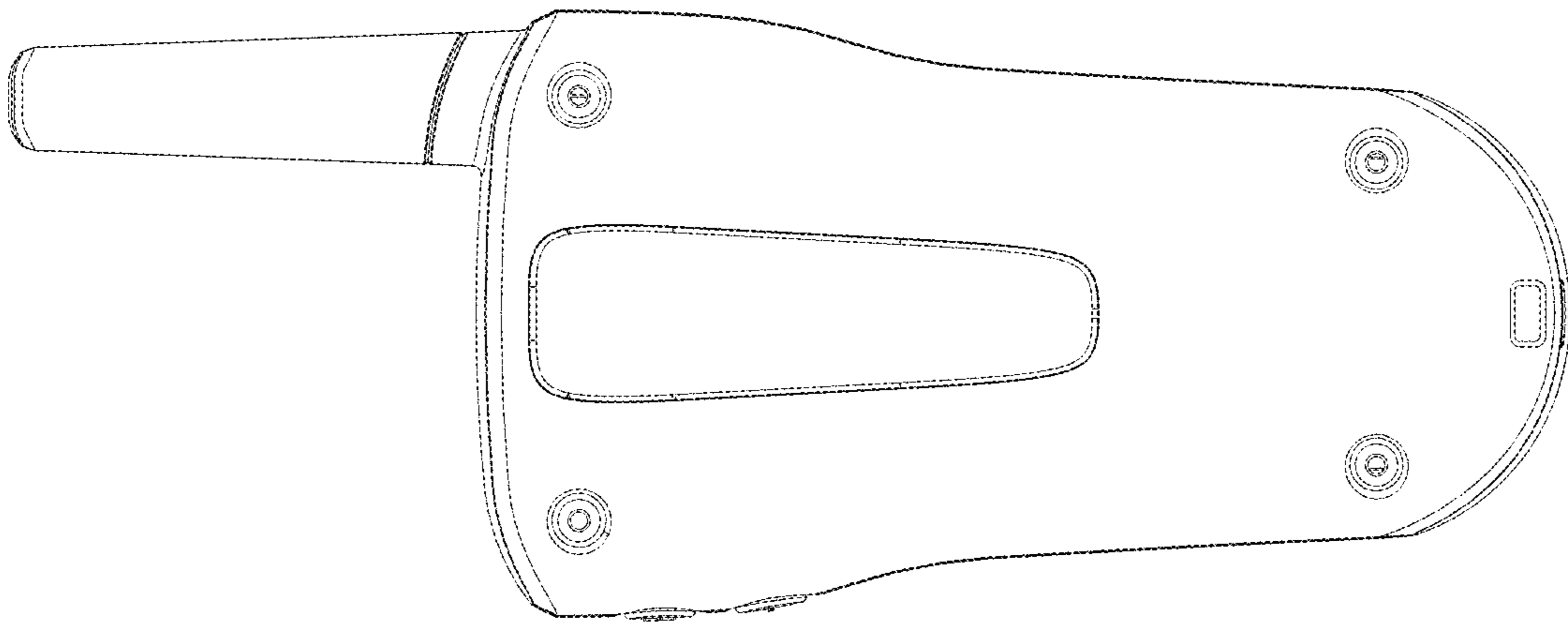




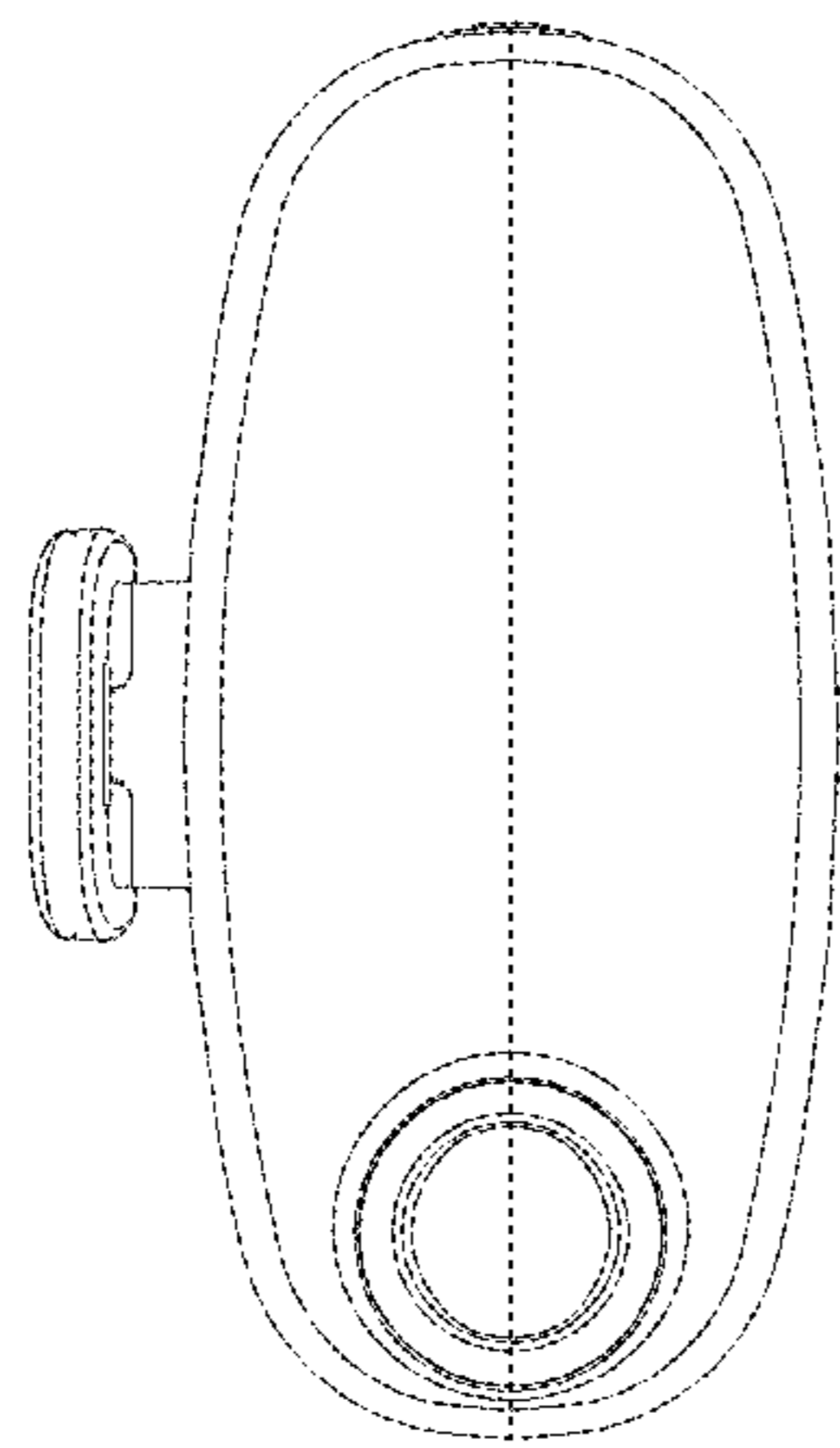
**Fig. 1**



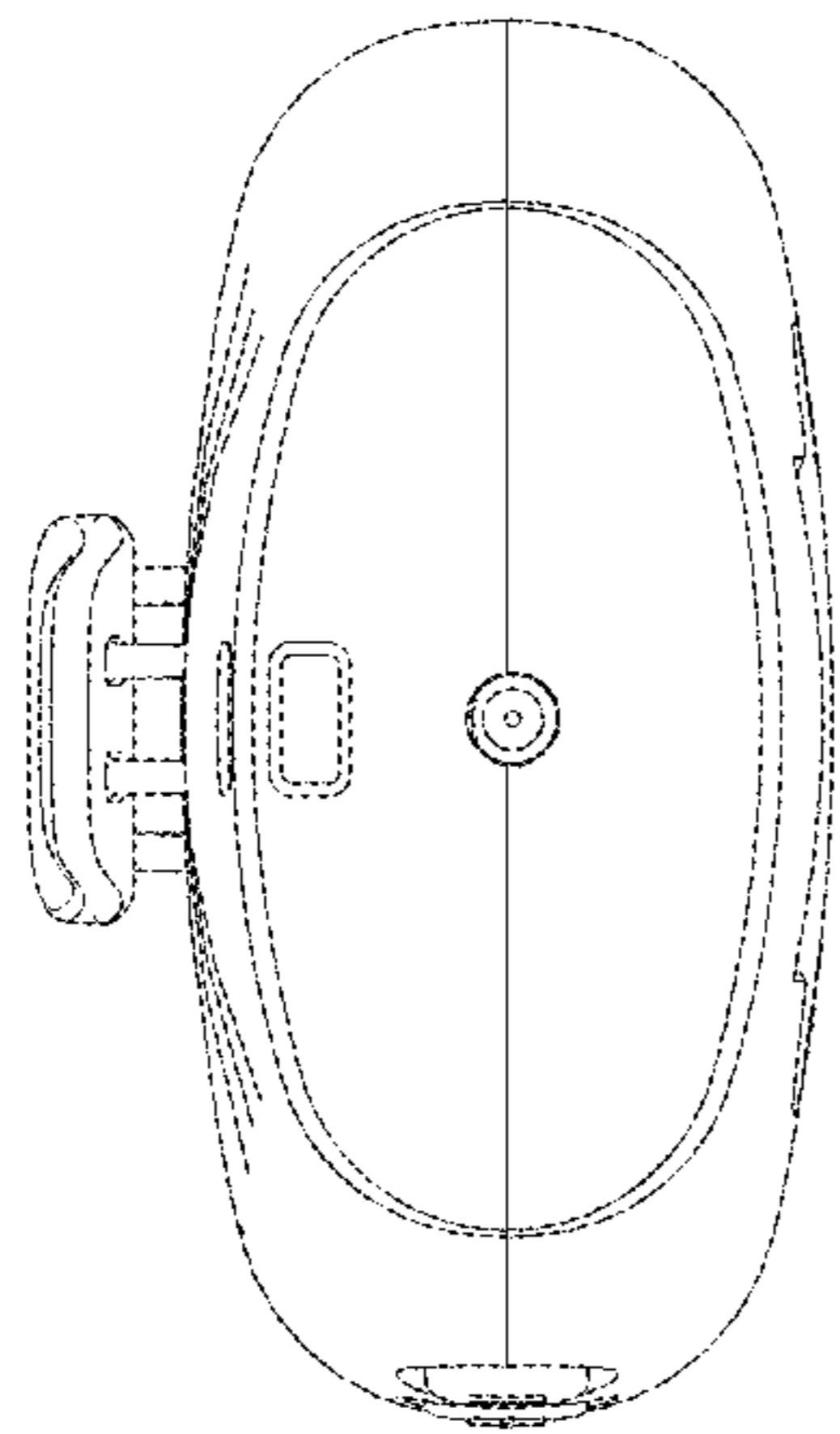
**Fig. 2**



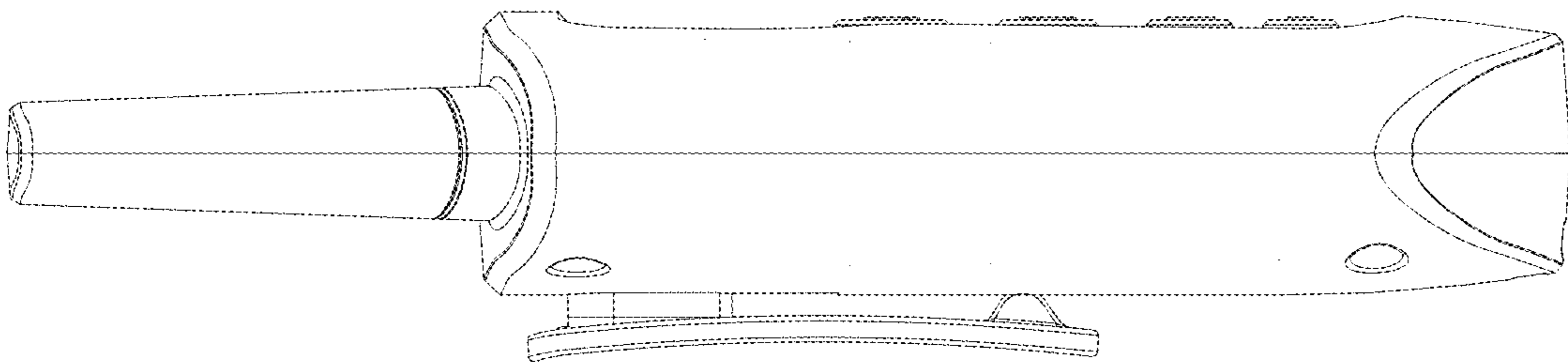
**Fig. 3**



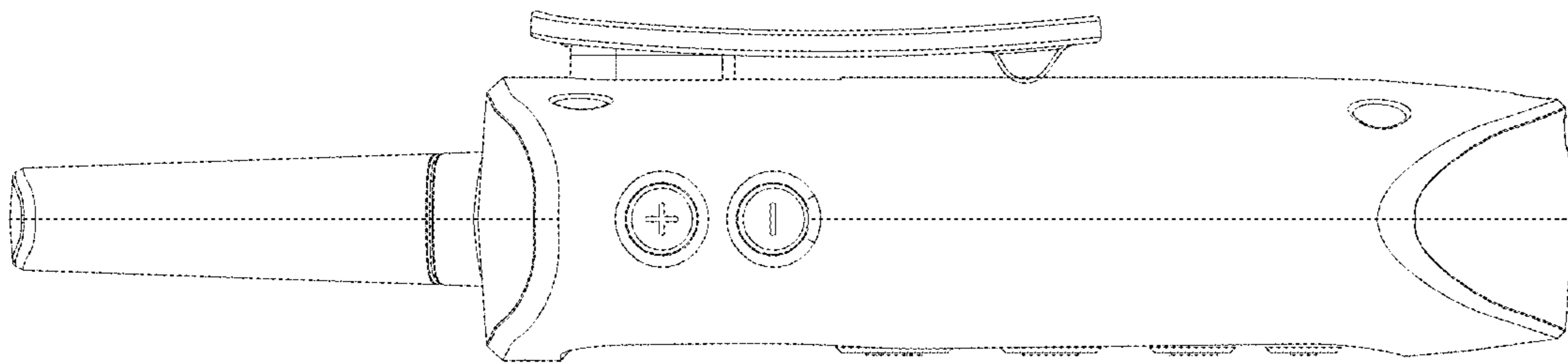
**Fig. 4**



**Fig. 5**



**Fig. 6**



**Fig. 7**