



US00D881485S

(12) **United States Design Patent** (10) **Patent No.:** **US D881,485 S**
Jakubowski et al. (45) **Date of Patent:** **** Apr. 14, 2020**

(54) **PET LITTER CONTAINMENT COVER**

(71) Applicant: **Vermont Juvenile Furniture Mfg., Inc.**, West Rutland, VT (US)

(72) Inventors: **Chris Jakubowski**, Rutland, VT (US);
Todd Jakubowski, Rutland, VT (US);
Kristen Jakubowski, Rutland, VT (US)

(73) Assignee: **Vermont Juvenile Furniture Mfg., Inc.**, West Rutland, VT (US)

(**) Term: **15 Years**

(21) Appl. No.: **29/663,965**

(22) Filed: **Sep. 20, 2018**

(51) **LOC (12) Cl.** **30-99**

(52) **U.S. Cl.**
USPC **D30/161**

(58) **Field of Classification Search**
USPC D30/161, 162, 199; D3/20, 200, 201,
D3/203.1, 203.6, 205, 206, 272, 315, 319
CPC A01K 1/0121; A01K 1/011; A01K 1/0117;
A01K 1/0114; A01K 1/0125; A01K
1/0155; A01K 1/0154; A01K 29/00
See application file for complete search history.

(56) **References Cited**

U.S. PATENT DOCUMENTS

5,094,188	A	3/1992	Wolak	
5,361,725	A	11/1994	Baillie et al.	
5,558,041	A *	9/1996	Fairall, Jr.	A01K 1/0107 119/165
6,176,201	B1	1/2001	Fields	
6,237,534	B1	5/2001	Schwartz	
7,059,272	B2	6/2006	Helou	
D534,321	S *	12/2006	Simpson	D30/161
7,387,084	B2	6/2008	Hildenbrand et al.	
D664,312	S *	7/2012	Bizzle	D30/161
D685,139	S *	6/2013	Park	D30/108
D699,407	S *	2/2014	Sikora	D30/161

D725,321	S *	3/2015	Olson	D30/161
2004/0244716	A1 *	12/2004	Simpson	A01K 1/0125 119/499
2005/0028744	A1 *	2/2005	Gantt	A01K 1/011 119/163
2006/0272590	A1 *	12/2006	Pettys	A01K 1/0107 119/165
2010/0206238	A1 *	8/2010	Pettys	A01K 1/0107 119/169

(Continued)

OTHER PUBLICATIONS

“Pet Gear Pro Pawty for Cats with LittertraX Mat” available Oct. 12, 2018, [online], [site visited Sep. 10, 2019]. Retrieved from Internet, URL: https://www.amazon.com/Pet-Gear-LittertraX-Scattered-Charcoal/dp/B07HFH5566/ref=cm_cr_arp_d_product_top?ie=UTF8 (Year: 2018).*

Primary Examiner — Michael C Stout

Assistant Examiner — Katrina N Gonzalez

(74) *Attorney, Agent, or Firm* — Volpe and Koenig, P.C.

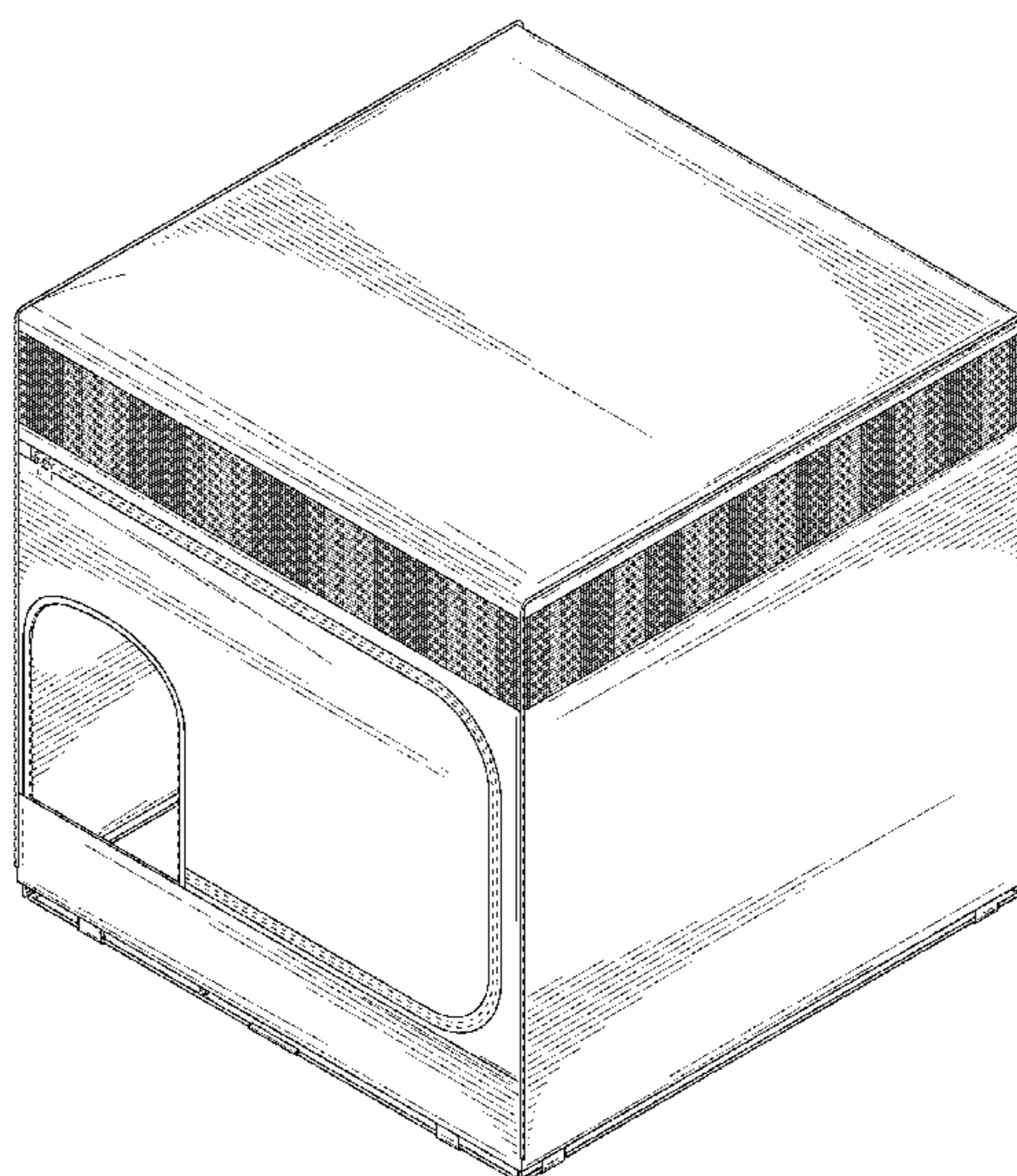
(57) **CLAIM**

The ornamental design for a pet litter containment cover, as shown and described.

DESCRIPTION

FIG. 1 is a top, front, right perspective view of a pet litter containment cover in accordance with our design;
FIG. 2 is a front elevational view thereof;
FIG. 3 is a rear elevational view thereof;
FIG. 4 is a left side elevational view thereof;
FIG. 5 is a right side elevational view thereof;
FIG. 6 is a cross-sectional side view taken along and in the direction of line 6-6 in FIG. 2;
FIG. 7 is a top plan view thereof; and,
FIG. 8 is a bottom plan view thereof.
The broken lines illustrate portions of the pet litter containment cover that form no part of the claimed design.

1 Claim, 8 Drawing Sheets



(56)

References Cited

U.S. PATENT DOCUMENTS

2019/0014738 A1* 1/2019 Akers, II A01K 1/0107
2019/0174710 A1* 6/2019 Jakubowski A01K 1/033

* cited by examiner

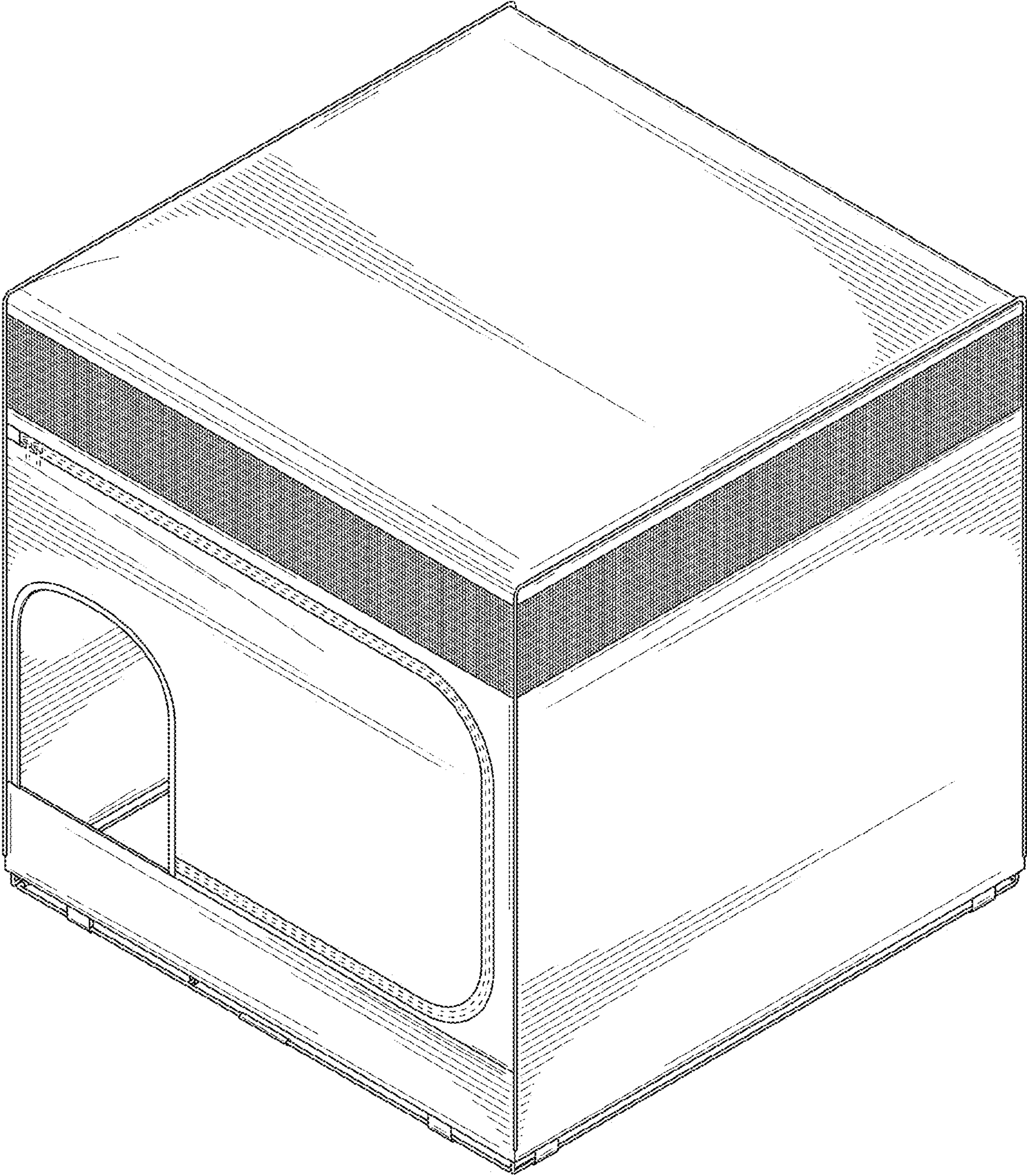


FIG. 1

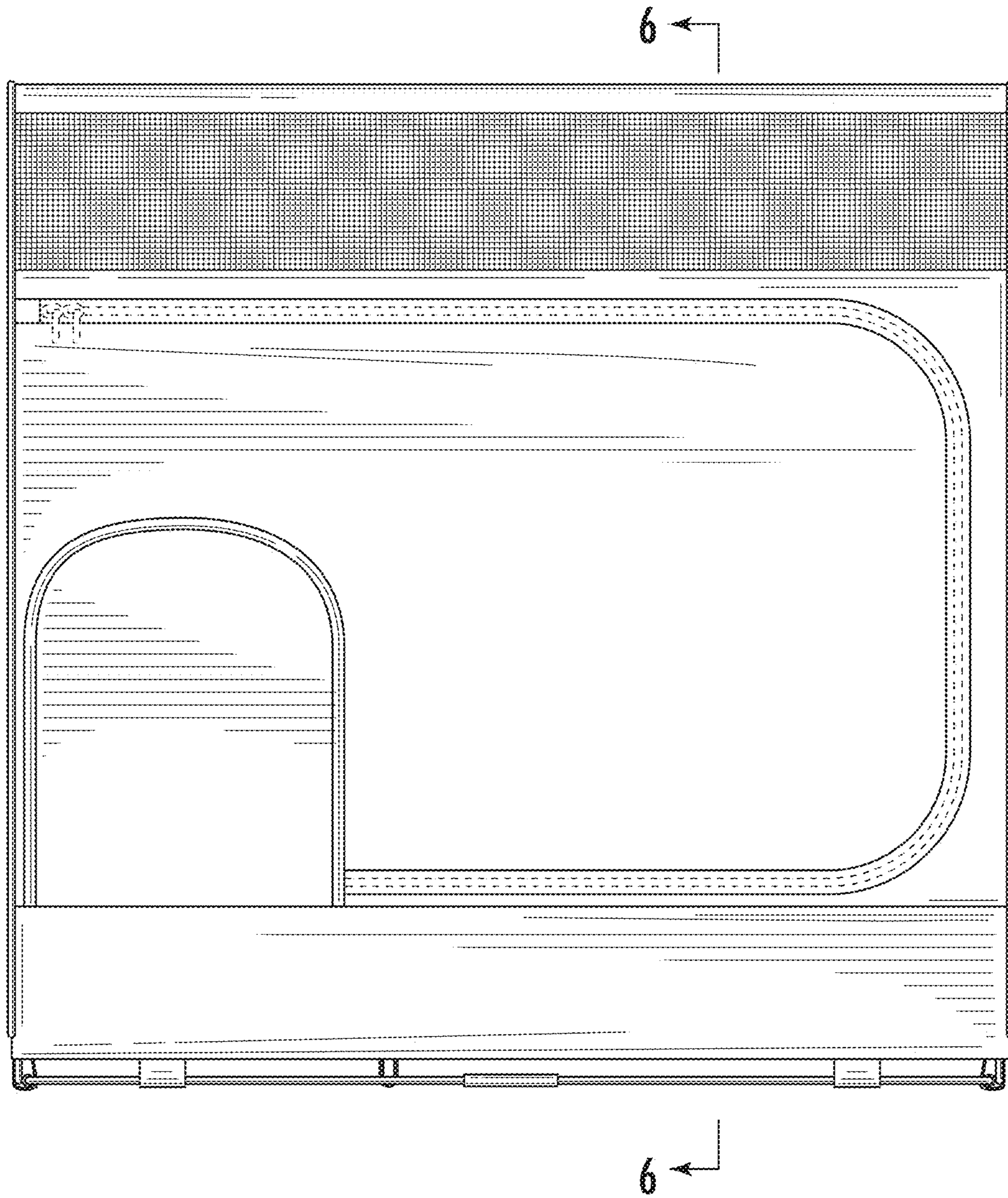


FIG. 2

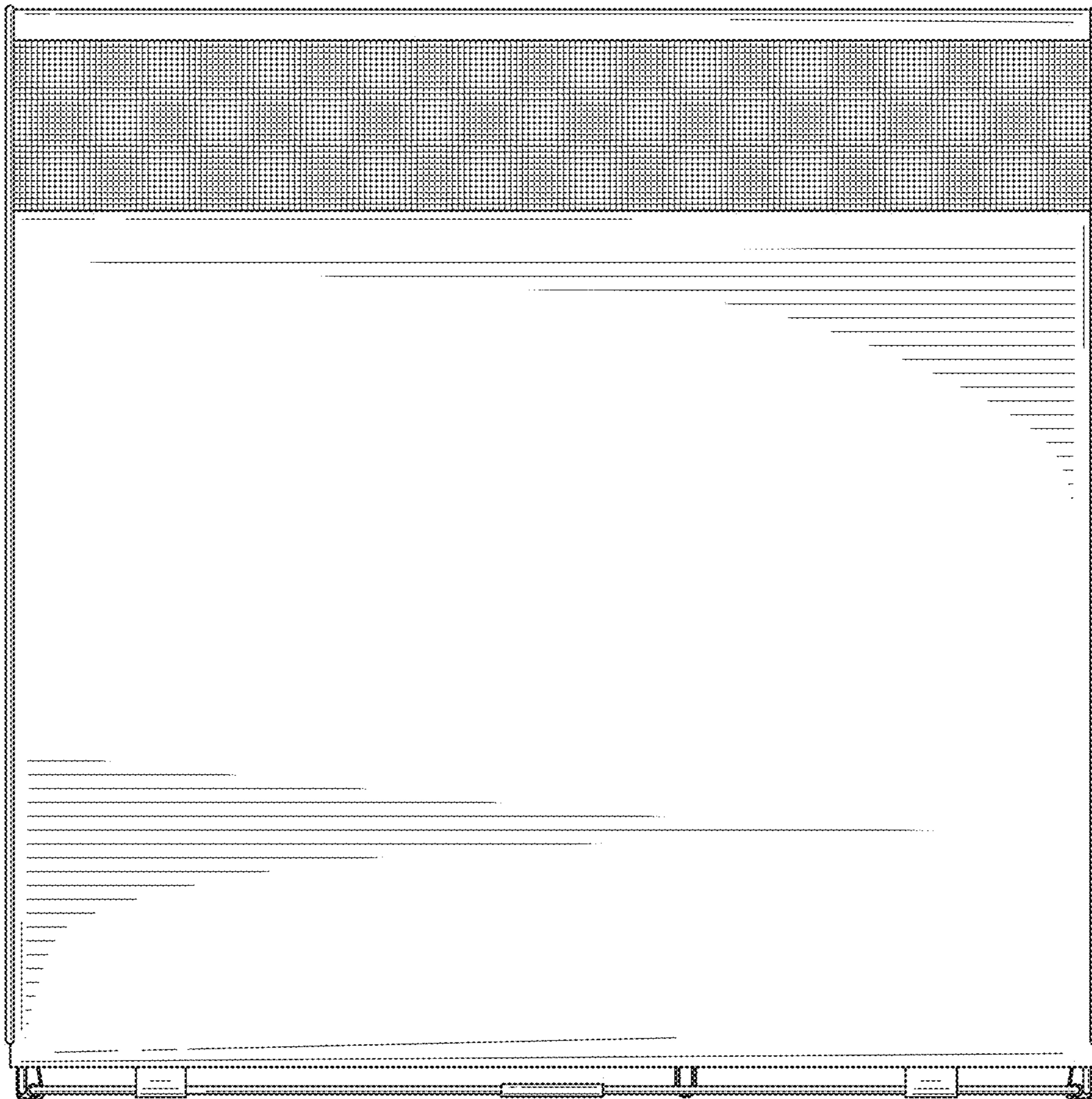


FIG. 3

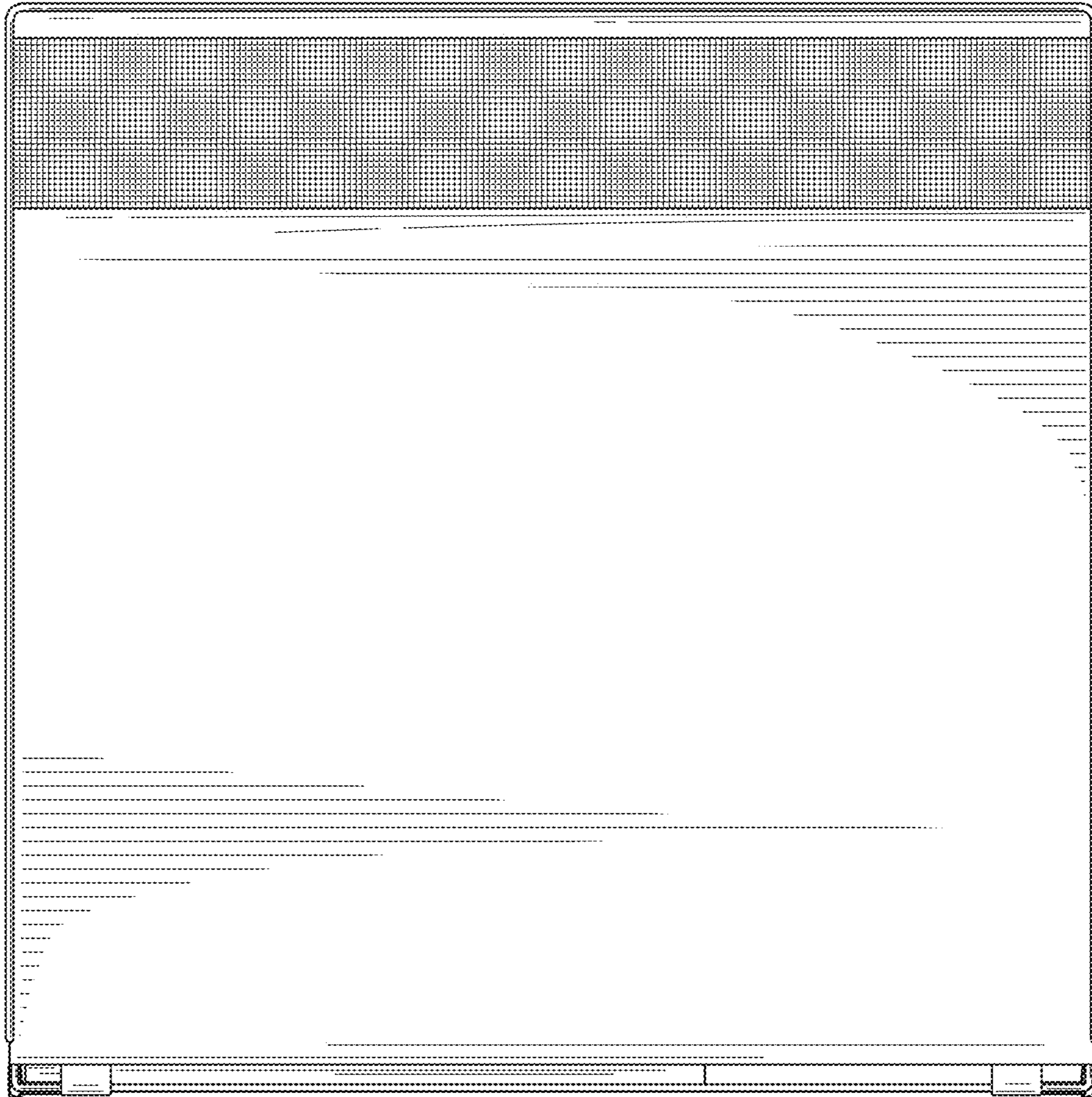


FIG. 4

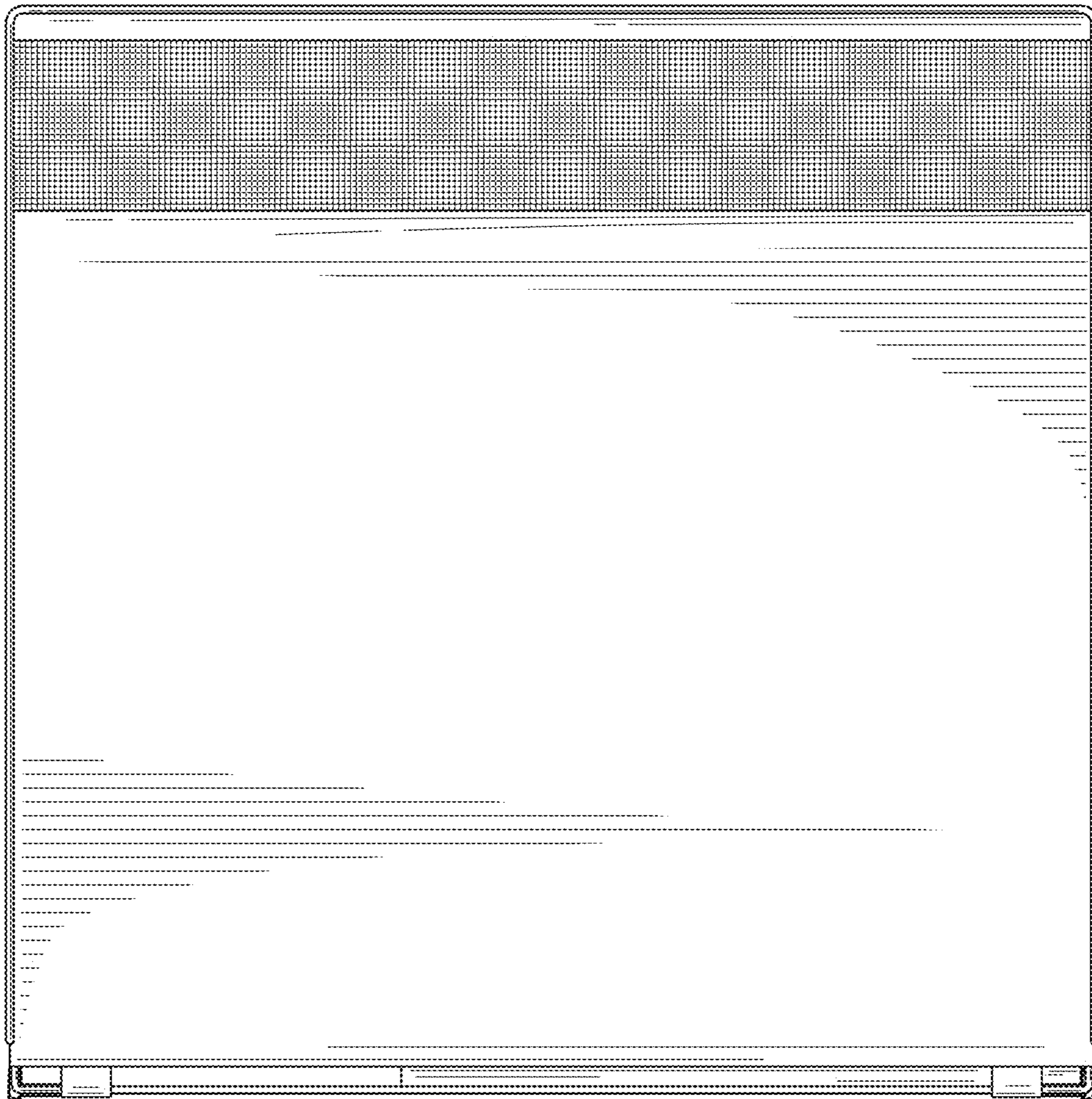


FIG. 5

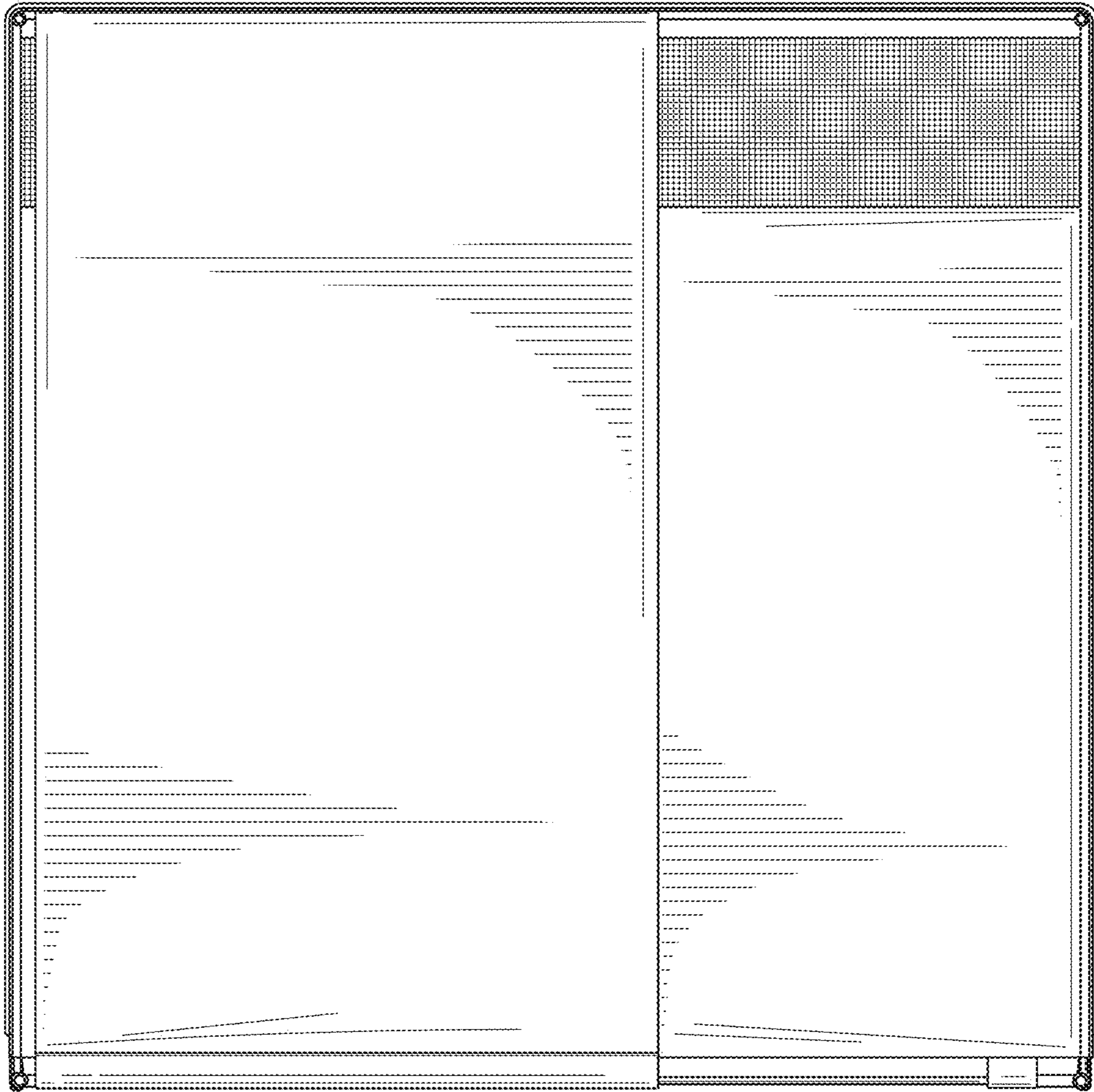


FIG. 6

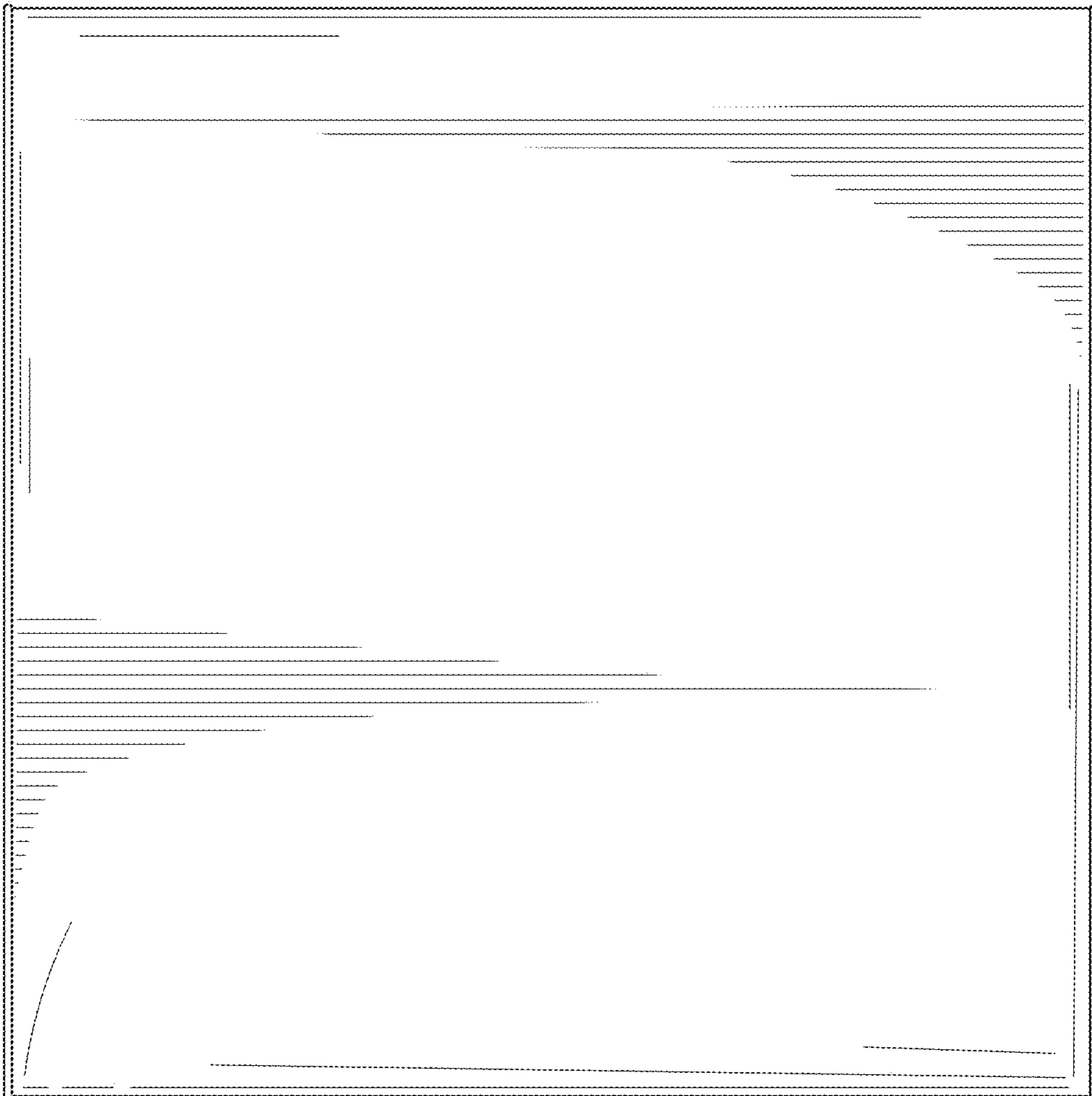


FIG. 7

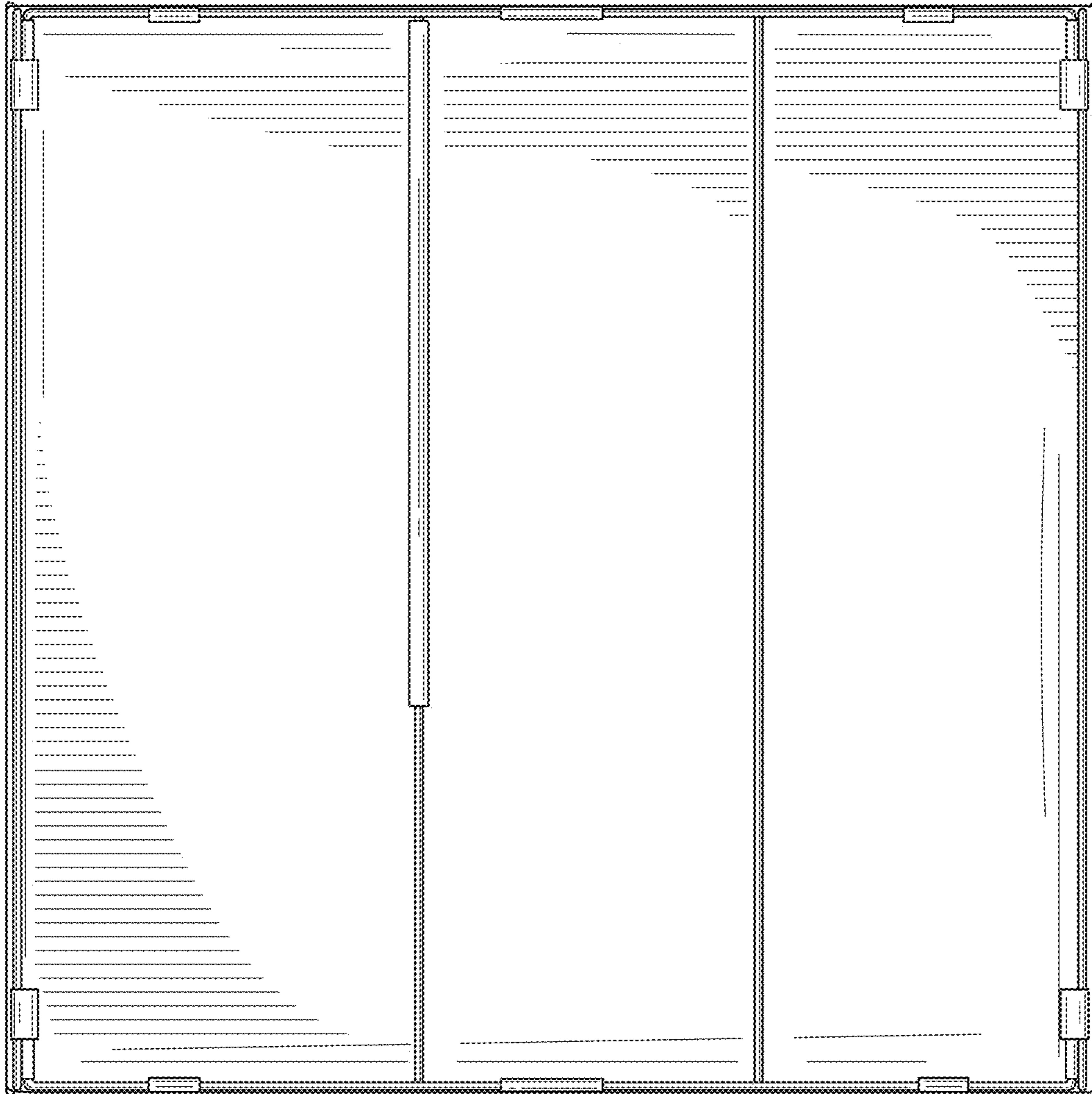


FIG. 8