



US00D881484S

(12) **United States Design Patent** (10) **Patent No.:** **US D881,484 S**  
**Lin** (45) **Date of Patent:** **\*\* Apr. 14, 2020**

(54) **CAT TOY**

(71) Applicant: **petop manufactory co., ltd**, Dongguan (CN)

(72) Inventor: **Fuxue Lin**, Dongguan (CN)

(\*\*) Term: **15 Years**

(21) Appl. No.: **29/705,924**

(22) Filed: **Sep. 17, 2019**

(51) **LOC (12) Cl.** ..... **30-99**

(52) **U.S. Cl.**  
USPC ..... **D30/160**

(58) **Field of Classification Search**  
USPC ..... D21/398, 400, 402, 412, 415, 426, 436, D21/439, 440, 441, 443, 455, 460-462, D21/466-468, 479, 495, 563, 656, 712, D21/713, 788, 799.1, 470, 681; D24/211, D24/214, 215, 193-195; D30/160, 112, D30/119; D1/125-127

CPC ..... A63H 5/00; A63H 33/26; A63H 33/18; A63H 29/22; A63H 29/24; A63H 2200/00; A63H 11/00; A63H 13/00; A63H 18/02; A63H 18/14; A63H 18/16; A63H 29/00; A63H 33/009; A63H 33/22; A63H 33/3055; A63H 3/003; A63H 3/006; A63H 3/008; A63H 3/24; A63H 3/28; A63H 3/31; A63H 3/36; A63H 9/00; A63B 59/20; A63B 69/406; A63B 47/04; A63B 2220/51; A63B 2220/53; A63B 2220/56; A63B 2220/805; A63B 2071/0625; A63B 2071/063; A63B 2220/17; A63B 2220/18; A63B 2220/803; A63B 2220/833; A63B 43/004; A63B 43/06; A63B 71/0622; A63B 2071/0602; A63B 21/0055; A63B 2207/02; A63B 2225/54; A63B 69/0053; A63B 2047/043

See application file for complete search history.

(56) **References Cited**

U.S. PATENT DOCUMENTS

D411,357 S *	6/1999	Baiera .....	D30/160
D411,358 S *	6/1999	Baiera .....	D30/160
D645,215 S *	9/2011	Lee .....	D30/160
D652,586 S *	1/2012	Lee .....	D30/160
D658,825 S *	5/2012	Wolfe, Jr. ....	D30/160
D659,305 S *	5/2012	Song .....	D30/160
D714,497 S *	9/2014	Cogswell .....	D30/160
D721,211 S *	1/2015	Lee .....	D30/160
D721,212 S *	1/2015	Paculdo .....	D30/160
D723,752 S *	3/2015	Davis-David .....	D30/160
D724,279 S *	3/2015	Paculdo .....	D30/160
D724,280 S *	3/2015	Diskin .....	D30/160
D761,497 S *	7/2016	Paculdo .....	D21/606
D765,799 S *	9/2016	Lui .....	D21/656
D785,252 S *	4/2017	Comerford .....	D21/656
D807,592 S *	1/2018	Floyd .....	A01K 15/025 D30/160

(Continued)

*Primary Examiner* — Sheryl Lane

*Assistant Examiner* — Aula Soroush

(74) *Attorney, Agent, or Firm* — Jie Yang; ZanIP

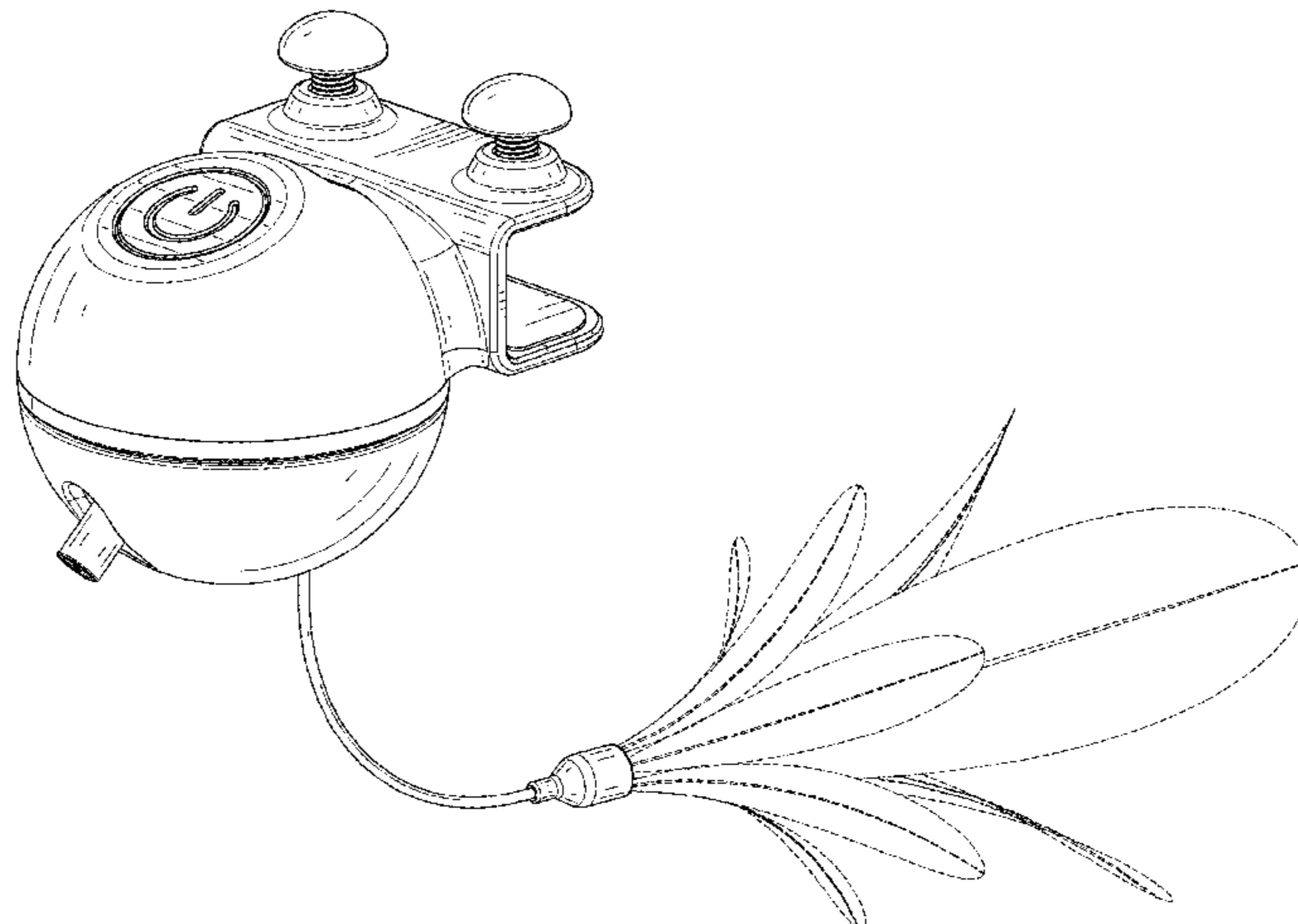
(57) **CLAIM**

The ornamental design for a cat toy, as shown and described.

**DESCRIPTION**

FIG. 1 is a front and top perspective view of a cat toy, showing my new design;  
FIG. 2 is a rear and bottom perspective view thereof;  
FIG. 3 is a front elevational view thereof;  
FIG. 4 is a rear elevational view thereof;  
FIG. 5 is a left side elevational view thereof;  
FIG. 6 is a right side elevational view thereof;  
FIG. 7 is a top plan view thereof; and,  
FIG. 8 is a bottom plan view thereof.

(Continued)



The broken lines in the figures illustrate portions of the cat toy that form no part of the claimed design.

**1 Claim, 8 Drawing Sheets**

(56) **References Cited**

U.S. PATENT DOCUMENTS

D807,593 S *	1/2018	Floyd .....	A01K 15/025
			D30/160
D808,088 S *	1/2018	Stone .....	D30/160
D828,651 S *	9/2018	Comerford .....	D30/160
D842,557 S *	3/2019	Gardner .....	D30/160
D861,888 S *	10/2019	Luntz .....	D24/194

\* cited by examiner

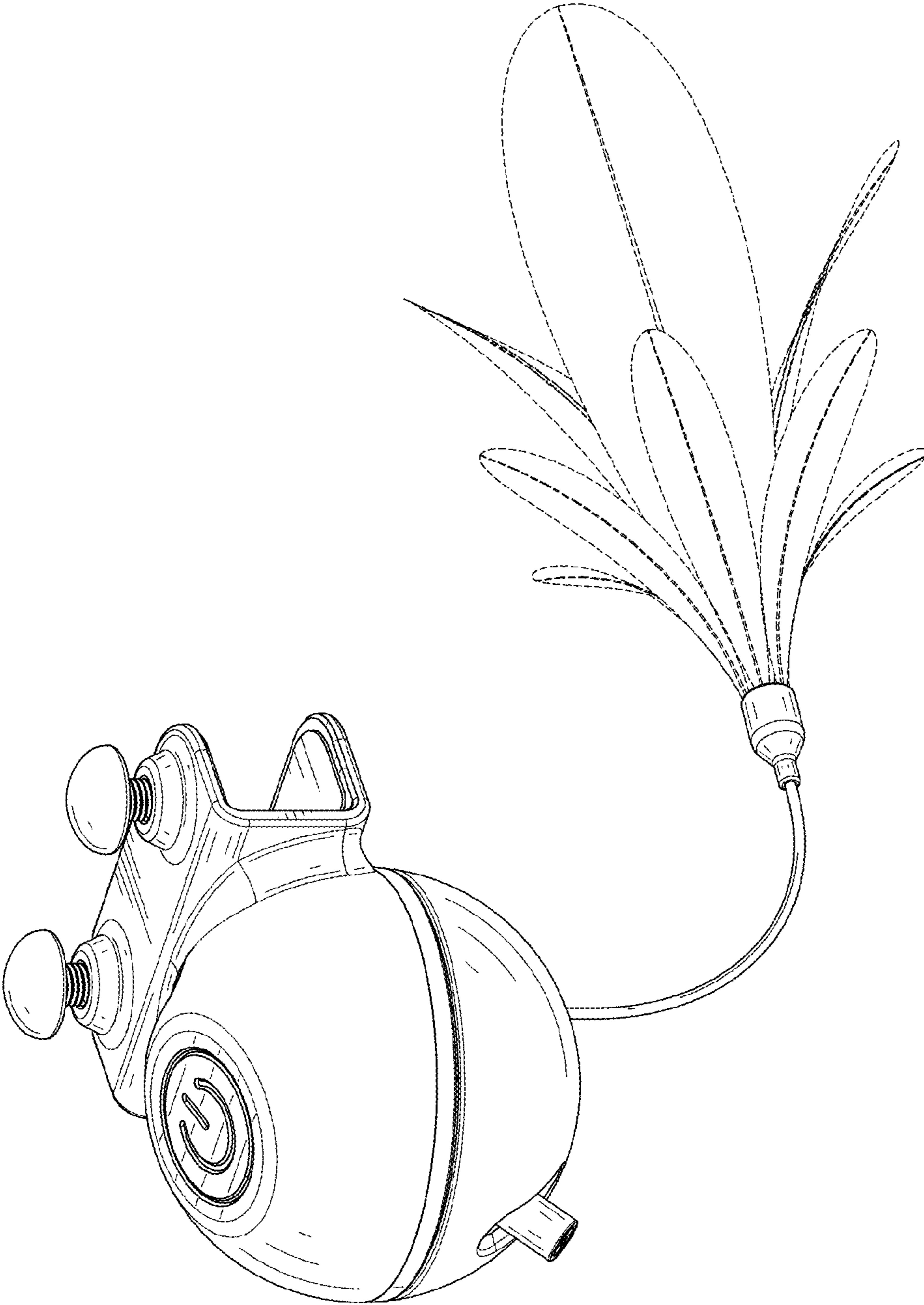


FIG.1

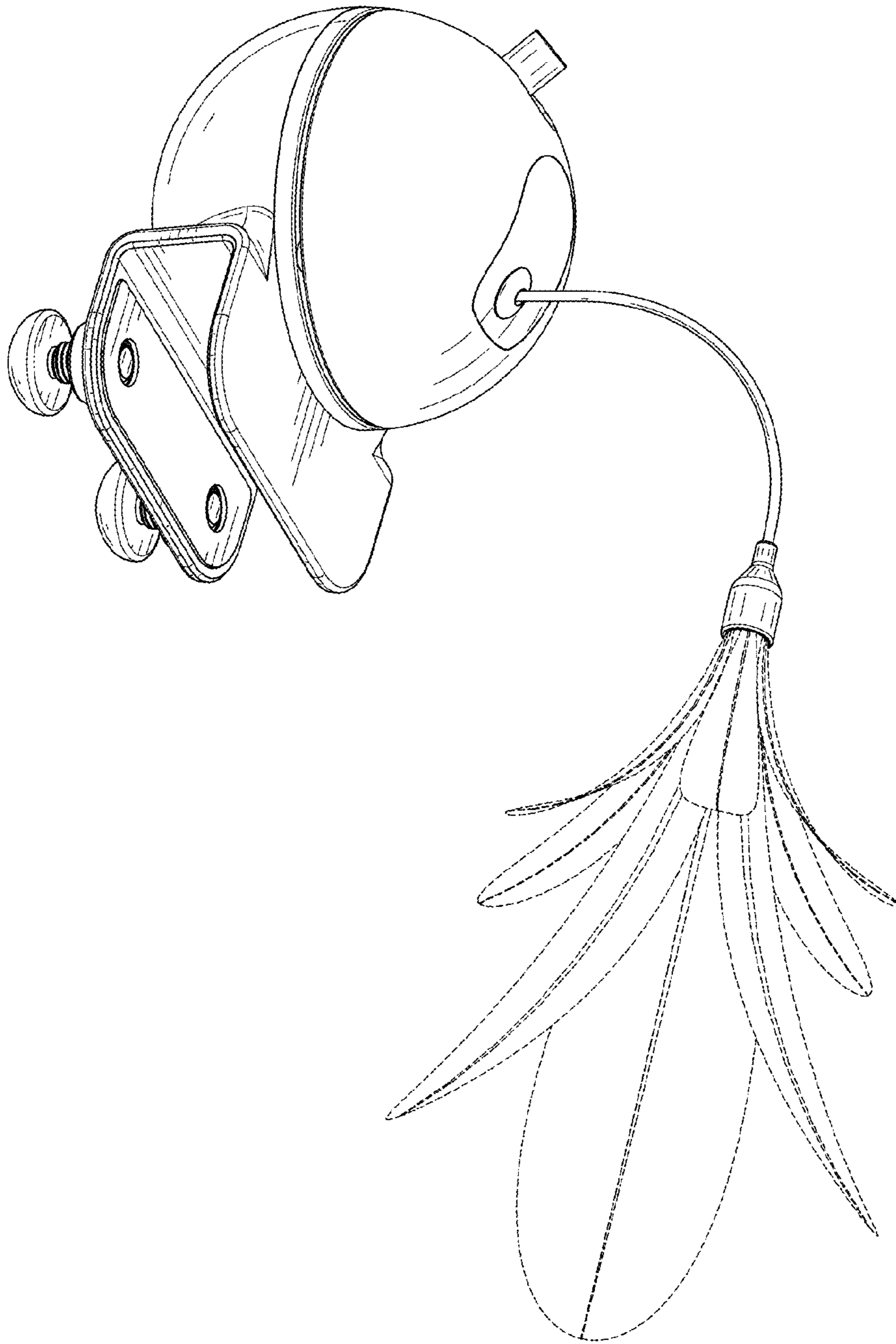


FIG. 2

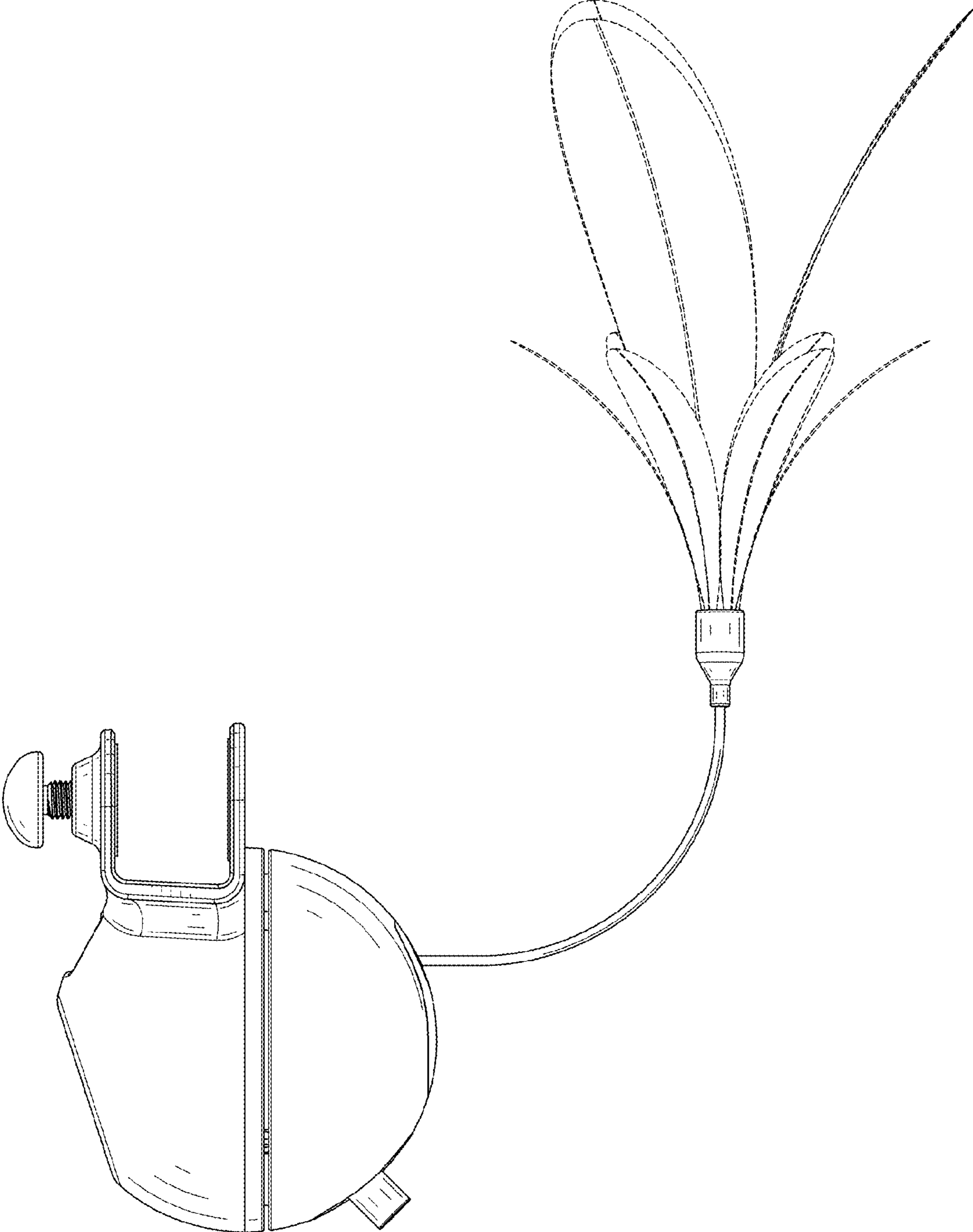


FIG.3

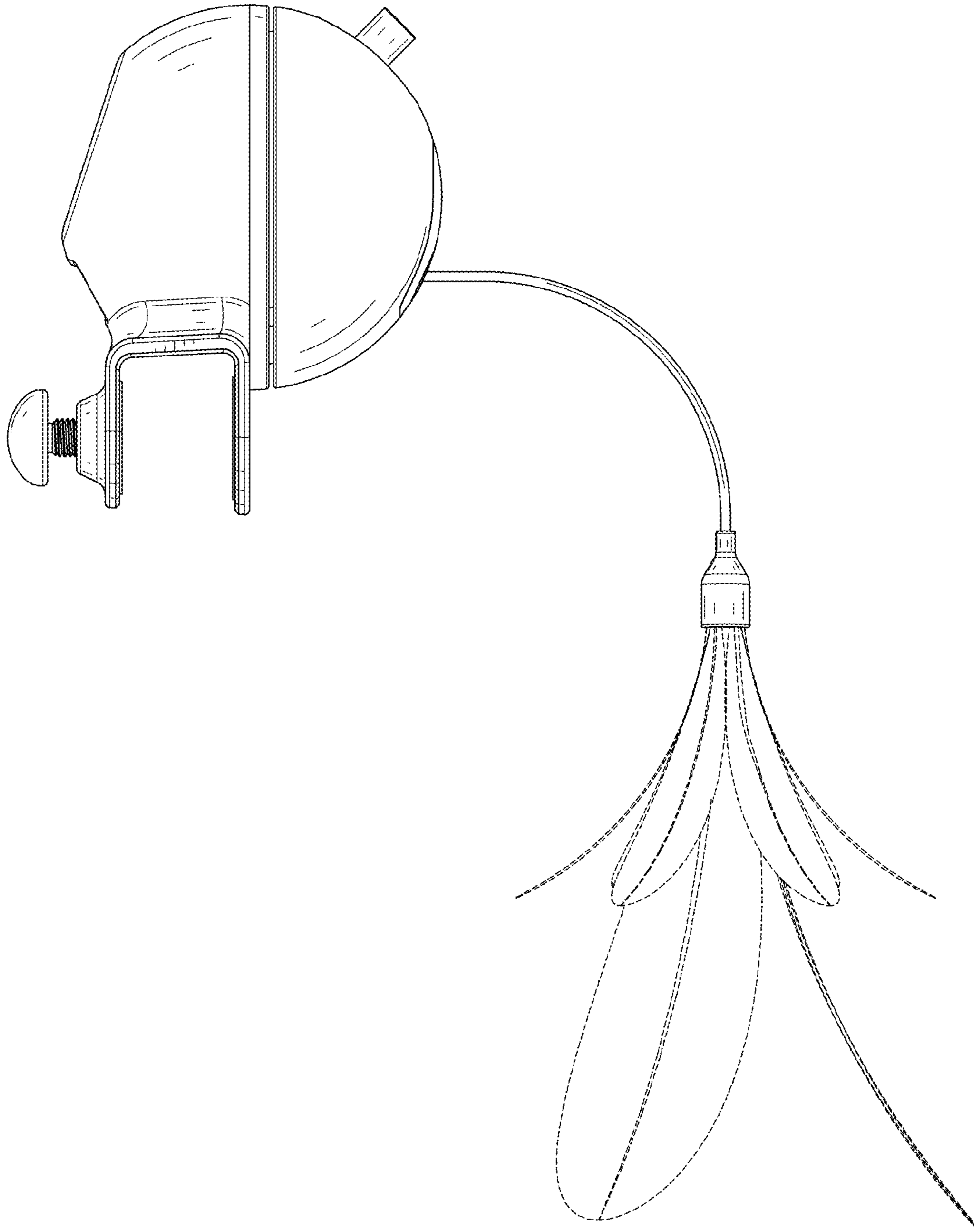


FIG. 4

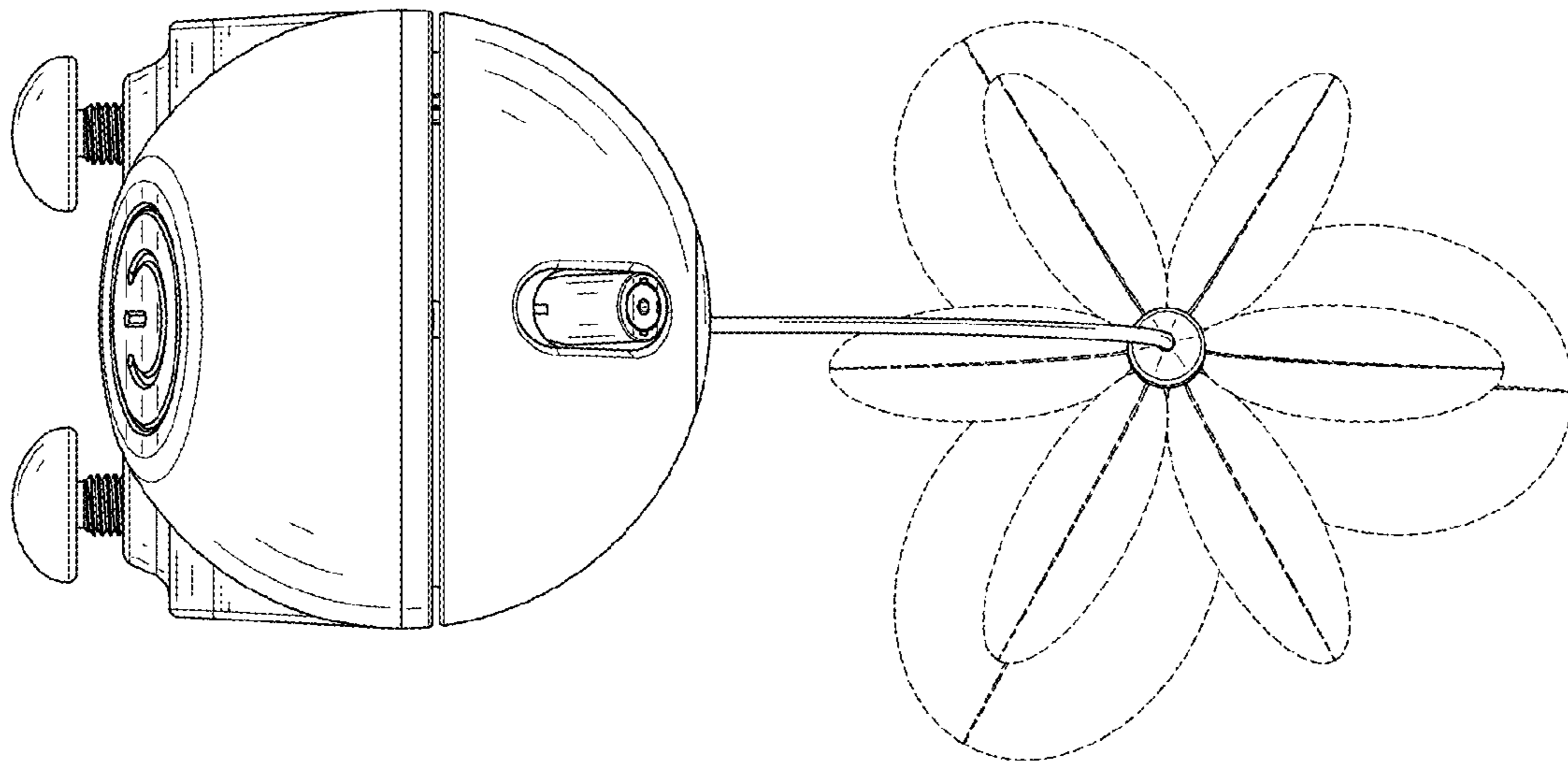


FIG. 5

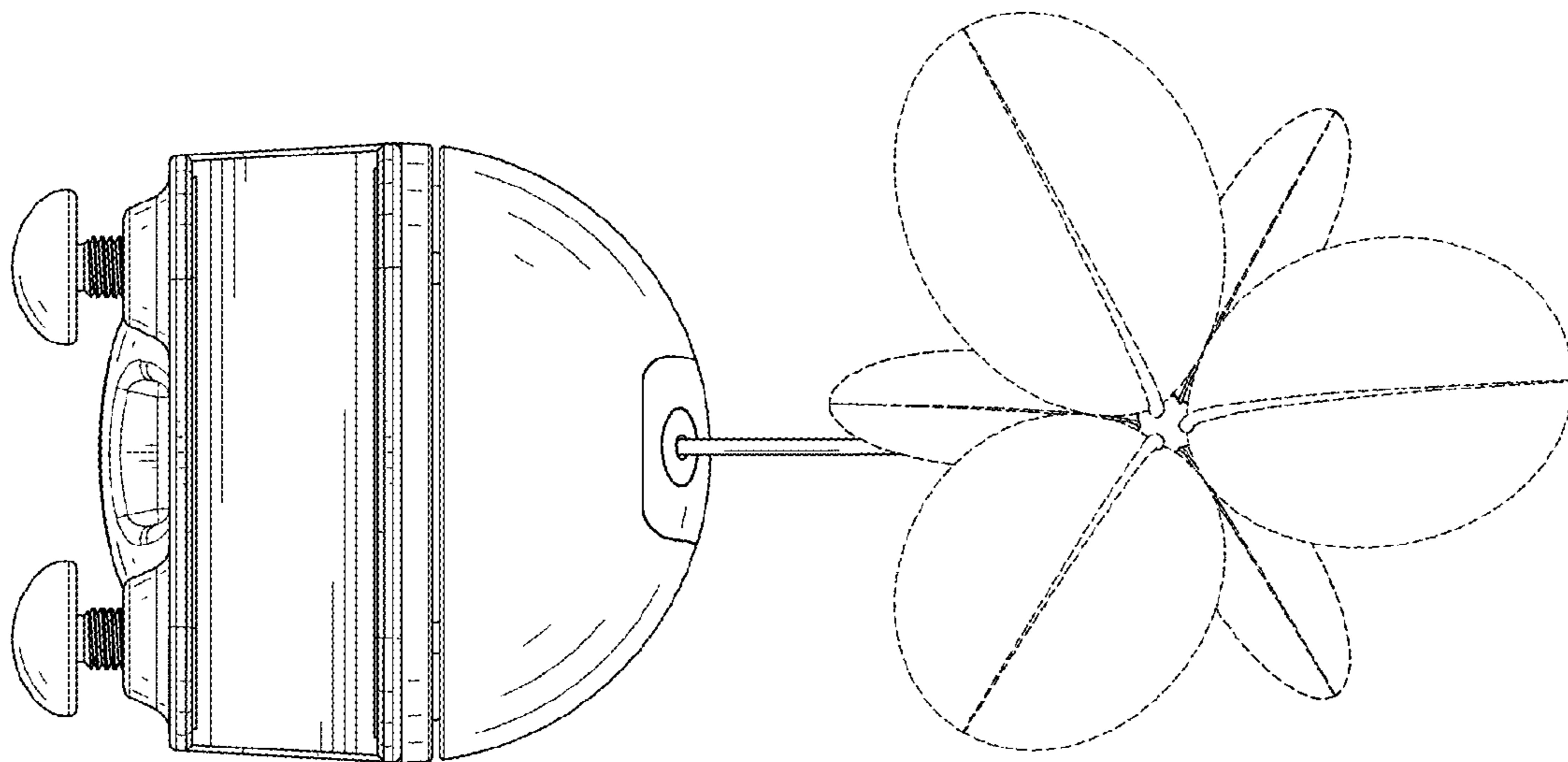


FIG.6



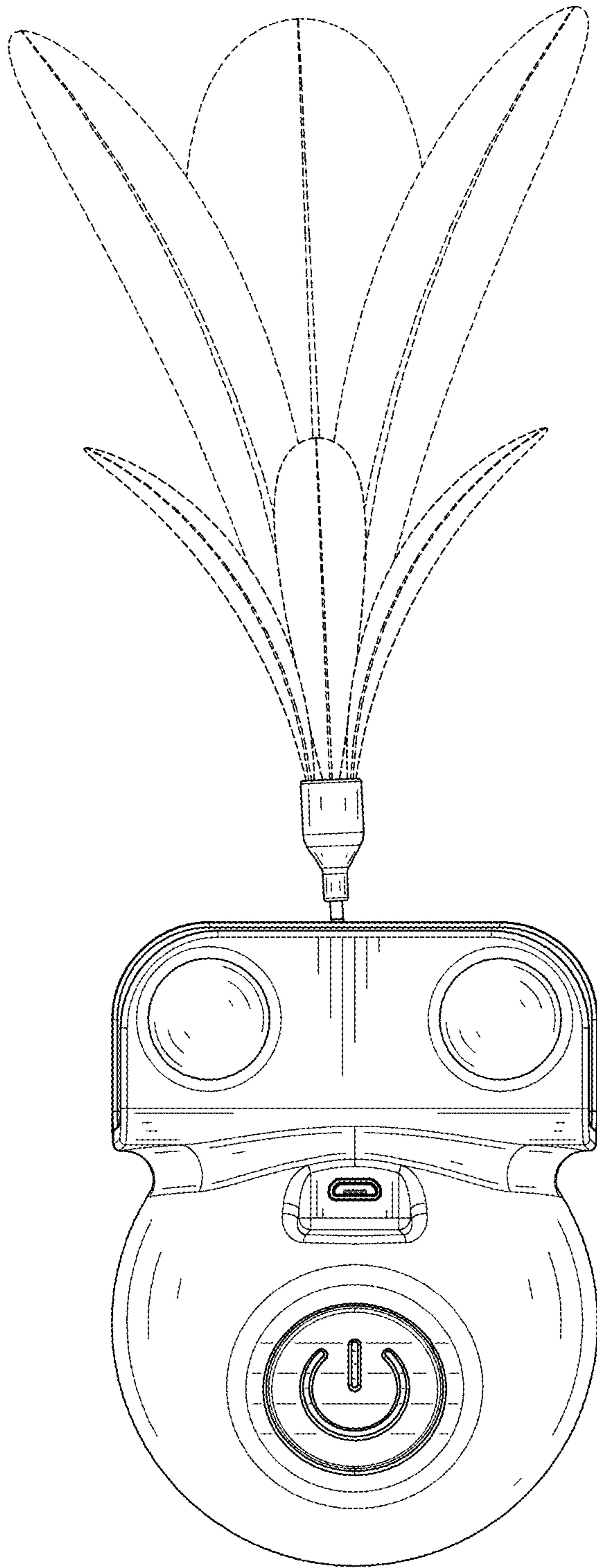


FIG. 7

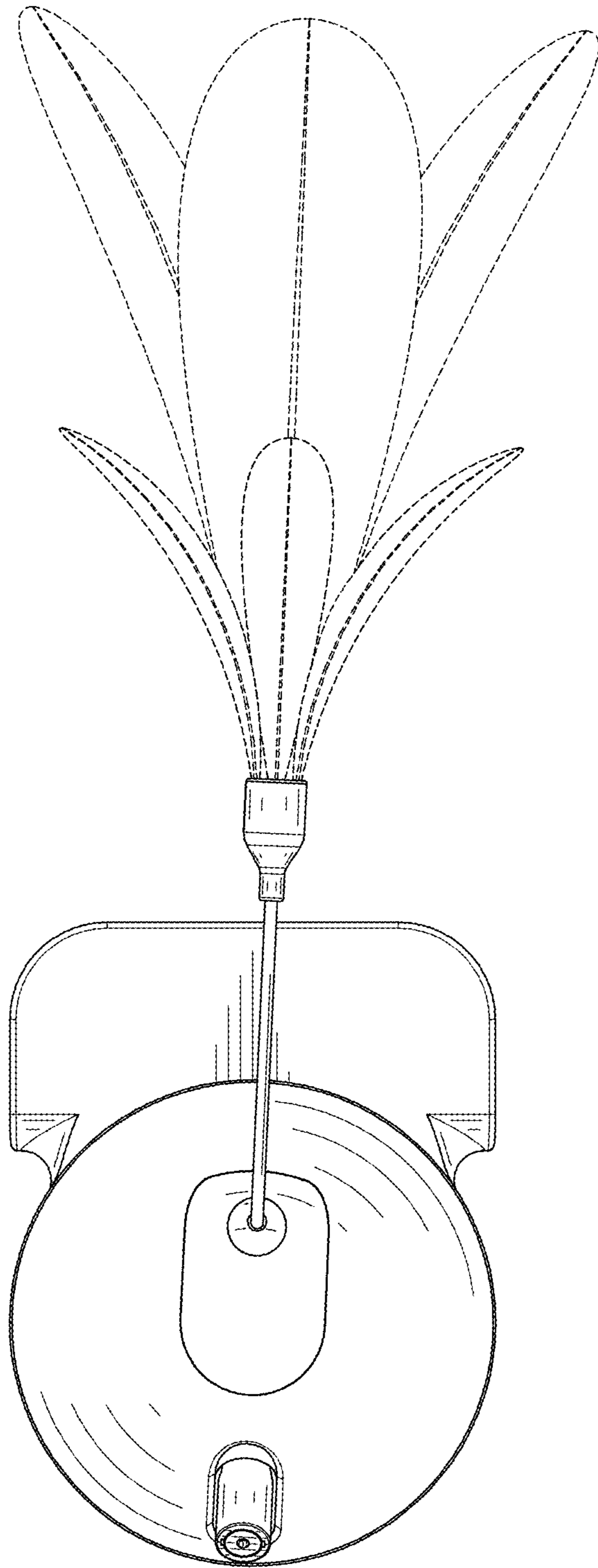


FIG. 8