

US00D881482S

(12) **United States Design Patent** (10) **Patent No.:** **US D881,482 S**  
**Jayne et al.** (45) **Date of Patent:** **\*\* Apr. 14, 2020**

(54) **CAT TREE TOWER** D677,022 S \* 2/2013 Cirincione ..... D30/160  
8,430,062 B2 4/2013 Lu  
(71) Applicant: **Marketfleet Puerto Rico, Inc.**, San Juan, PR (US) D685,538 S 7/2013 Watts  
D704,906 S \* 5/2014 Diskin ..... D30/118

(72) Inventors: **Matt David Jayne**, Chico, CA (US);  
**Joseph Aaron Scott Morris**, Chico, CA (US)

(73) Assignee: **MARKETFLEET PUERTO RICO, INC.**, San Juan, PR (US)

(\*\*) Term: **15 Years**

(21) Appl. No.: **29/614,202**

(22) Filed: **Aug. 16, 2017**

(51) **LOC (12) Cl.** ..... **30-99**

(52) **U.S. Cl.**  
USPC ..... **D30/160**

(58) **Field of Classification Search**  
CPC ..... A01K 31/07; A01K 1/033; A01K 1/035;  
A01K 15/024  
See application file for complete search history.

(56) **References Cited**

**U.S. PATENT DOCUMENTS**

2,143,592	A	1/1939	Baldeck	
D219,826	S	2/1971	Wormser	
4,347,807	A	9/1982	Reich	
5,577,466	A	12/1996	Luxford	
D394,362	S	5/1998	Eskdale	
5,875,735	A	5/1999	Bradley	
D422,754	S	4/2000	Kolozsvari	
6,431,119	B1 *	8/2002	Beymer	A01K 1/033 119/485
6,490,997	B1	12/2002	Biermann	
D554,303	S *	10/2007	Linehan	D30/160
D563,604	S *	3/2008	Pacana	D30/108
D611,204	S *	3/2010	Slater	D30/160

**OTHER PUBLICATIONS**

Frontpet Website, "Modern Wood Luxury Apex Cat Tree Tower" printed from website <https://www.frontpet.com/collections/furniture/products/modern-wood-luxury-cat-tree-tower?variant=35884731907> on Mar. 14, 2018. Note copyright date on webpage from 2018. Assignee of record is a subsidiary of the Frontpet's trademark owner.  
Catster Website, "Banish the Ugly Beige Carpet: Check Out These Cool Cat Trees", printed from website <http://www.catster.com/cat-chic/cat-furniture-tree-tower-condo-style-home-decor> on Mar. 14, 2018. p. 4. Note date on webpage from Jan. 29, 2015.  
Contempocat Website, "Contoure Modern Cat Tree", printed from website <https://contempocat.com/products/contoure-modern-cat-tree> on Mar. 14, 2018. pp. 1, and 2.

\* cited by examiner

*Primary Examiner* — Sheryl Lane

*Assistant Examiner* — Aula Soroush

(74) *Attorney, Agent, or Firm* — Ignacio Bellver; Marketfleet, Inc

(57) **CLAIM**

The ornamental design for a cat tree tower, as shown and described.

**DESCRIPTION**

FIG. 1 is a front left perspective view of the cat tree tower showing our new design;  
FIG. 2 is a left side elevation view thereof;  
FIG. 3 is a front elevation view thereof;  
FIG. 4 is a right side elevation view thereof;  
FIG. 5 is a rear elevation view thereof;  
FIG. 6 is a top plan view thereof; and,  
FIG. 7 is a bottom plan view thereof.

**1 Claim, 7 Drawing Sheets**

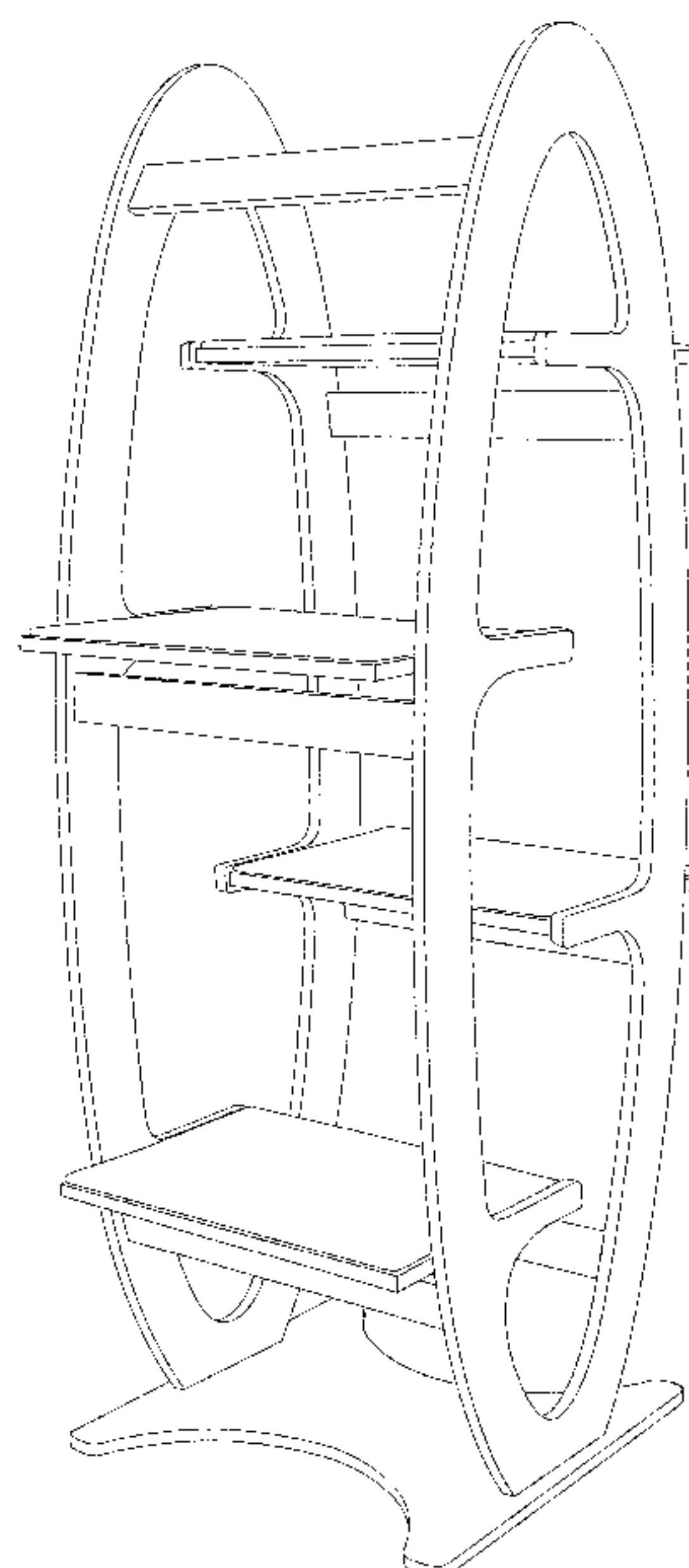


FIG. 1

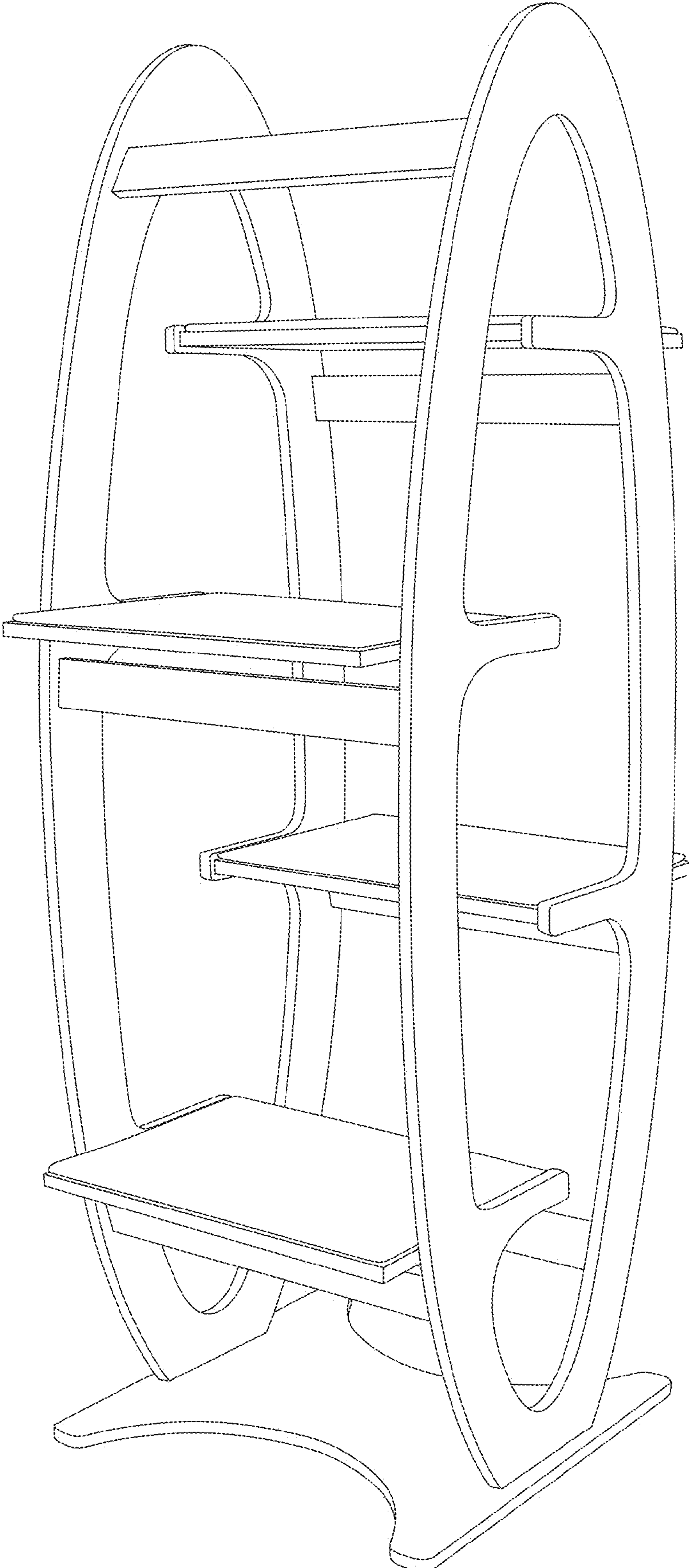


FIG. 2

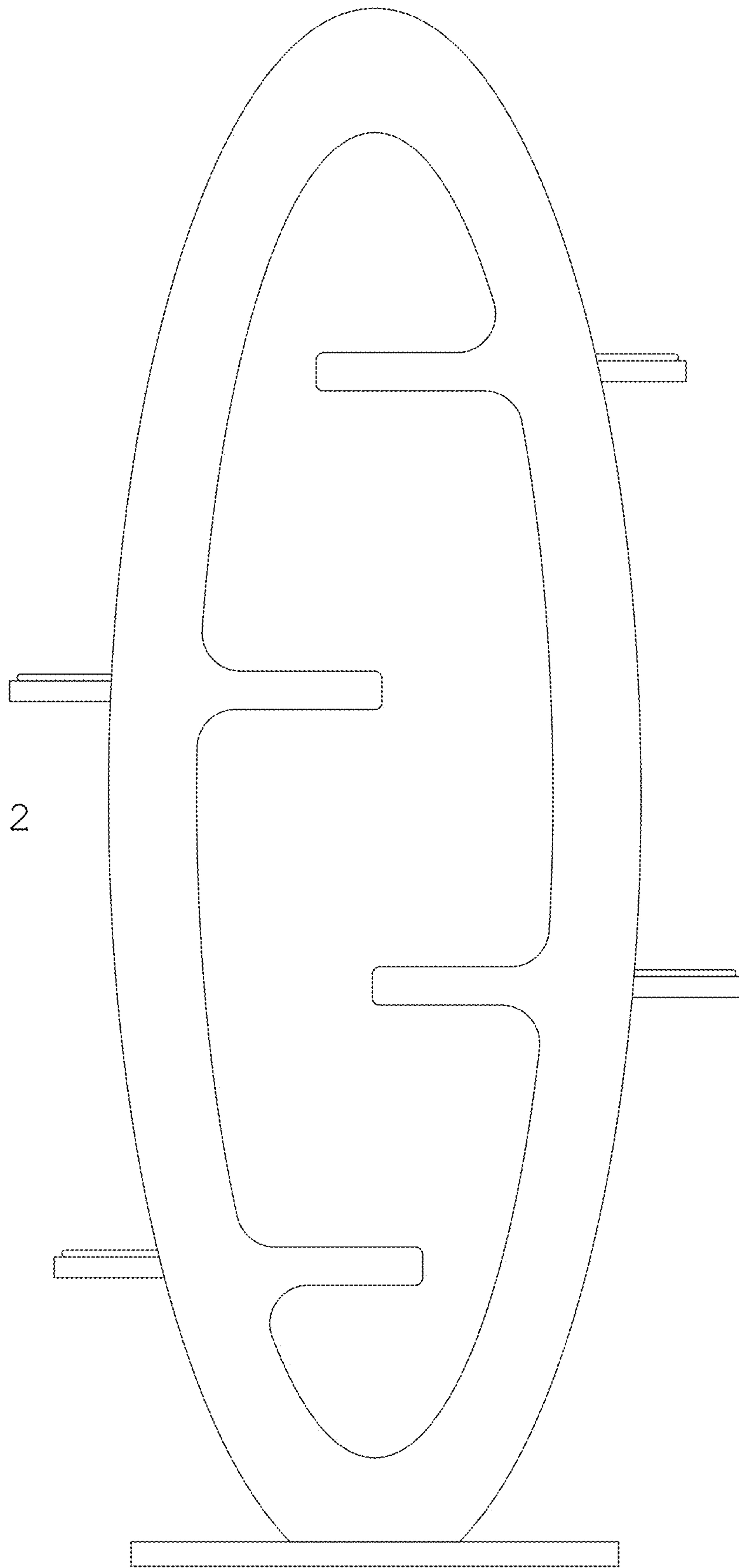


FIG. 3

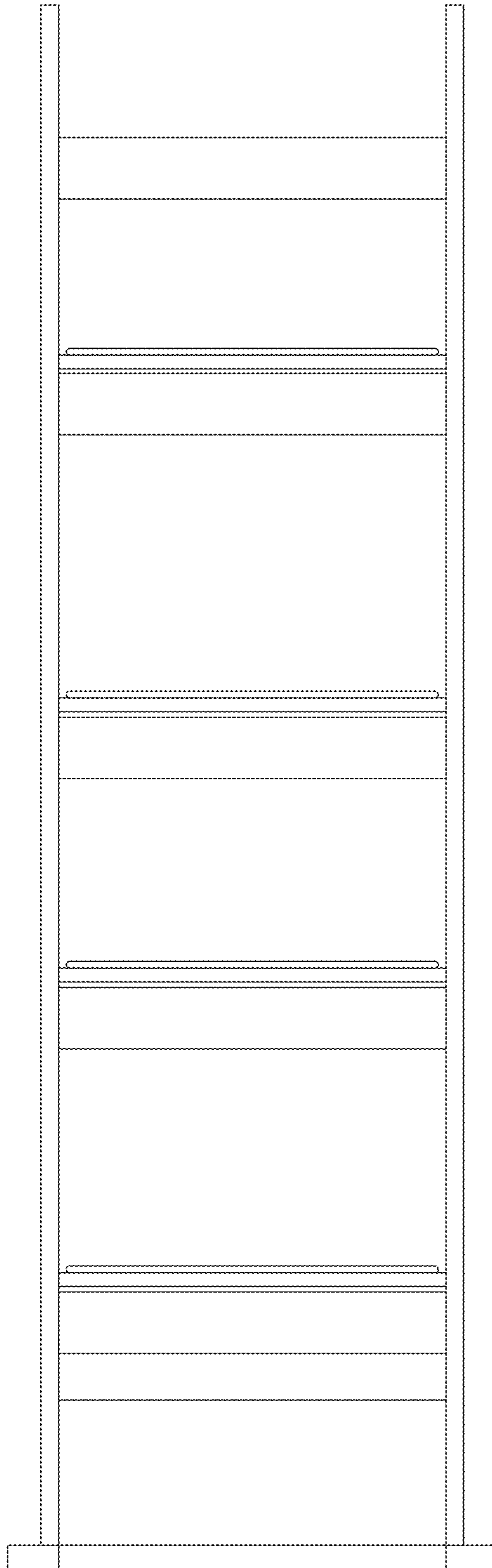


FIG. 4

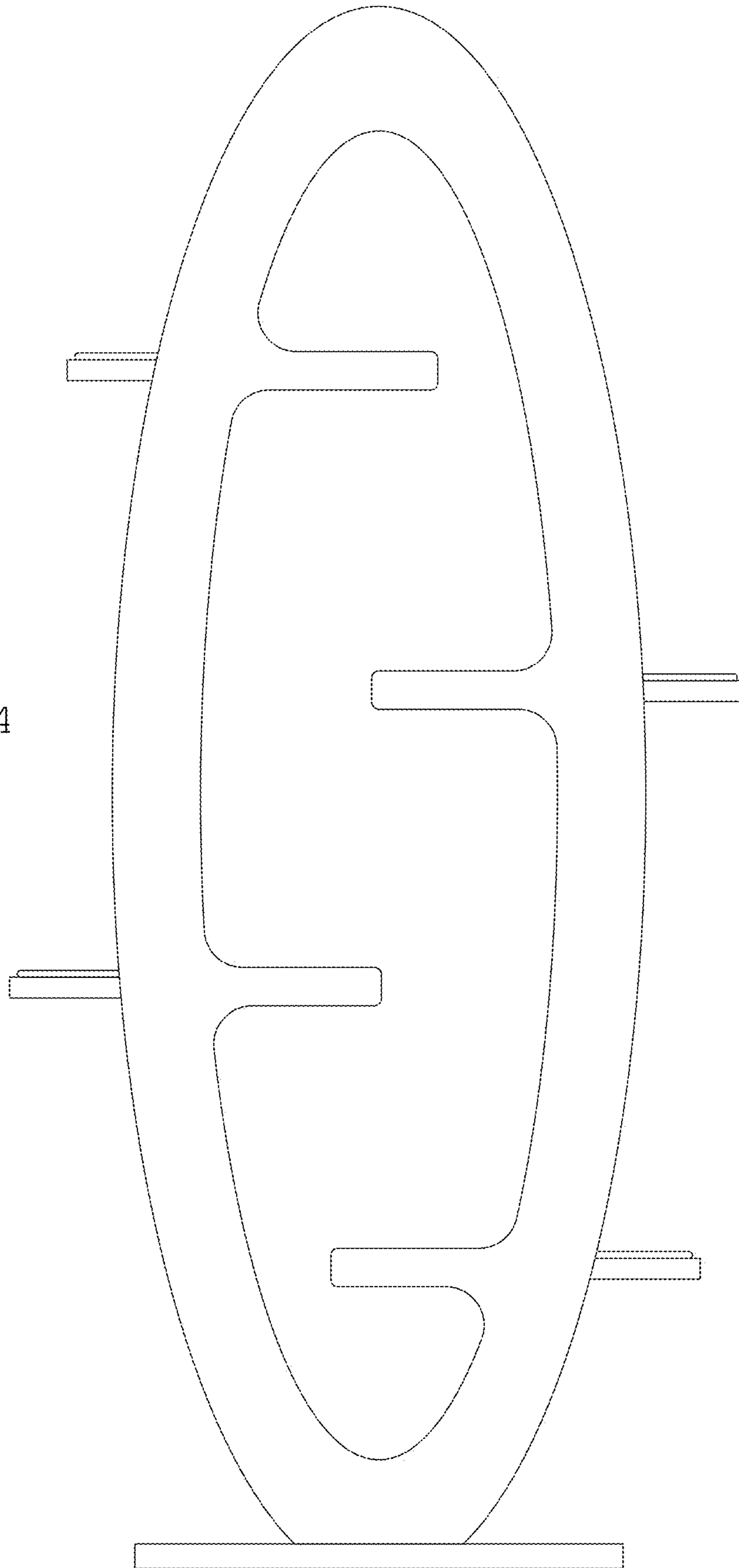
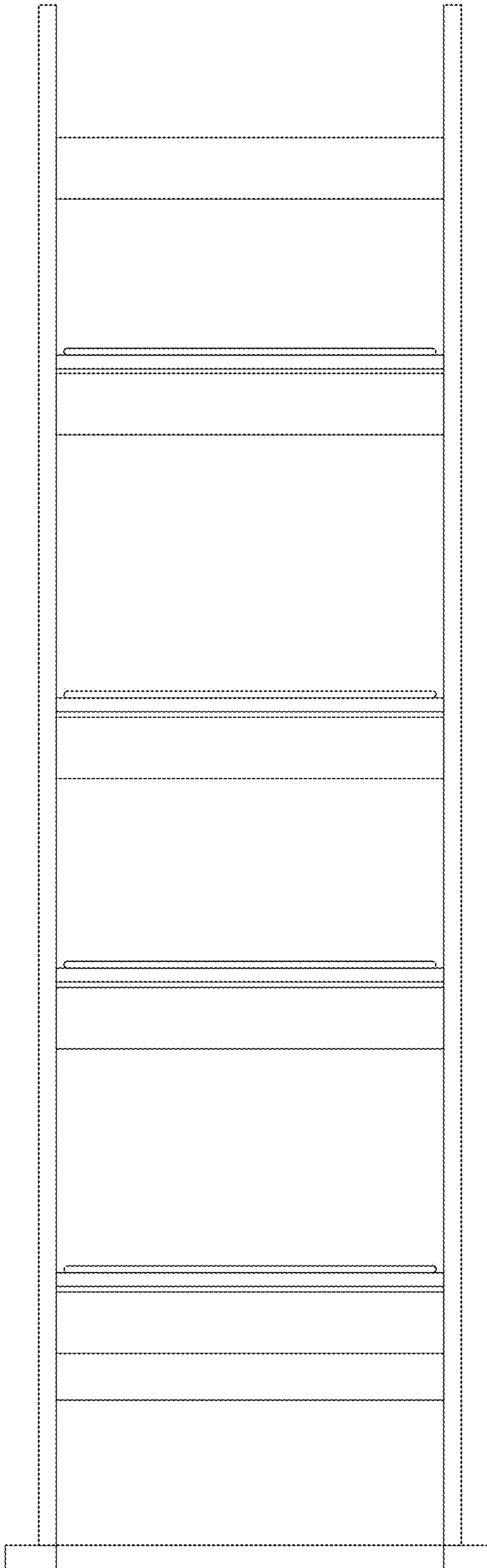


FIG. 5





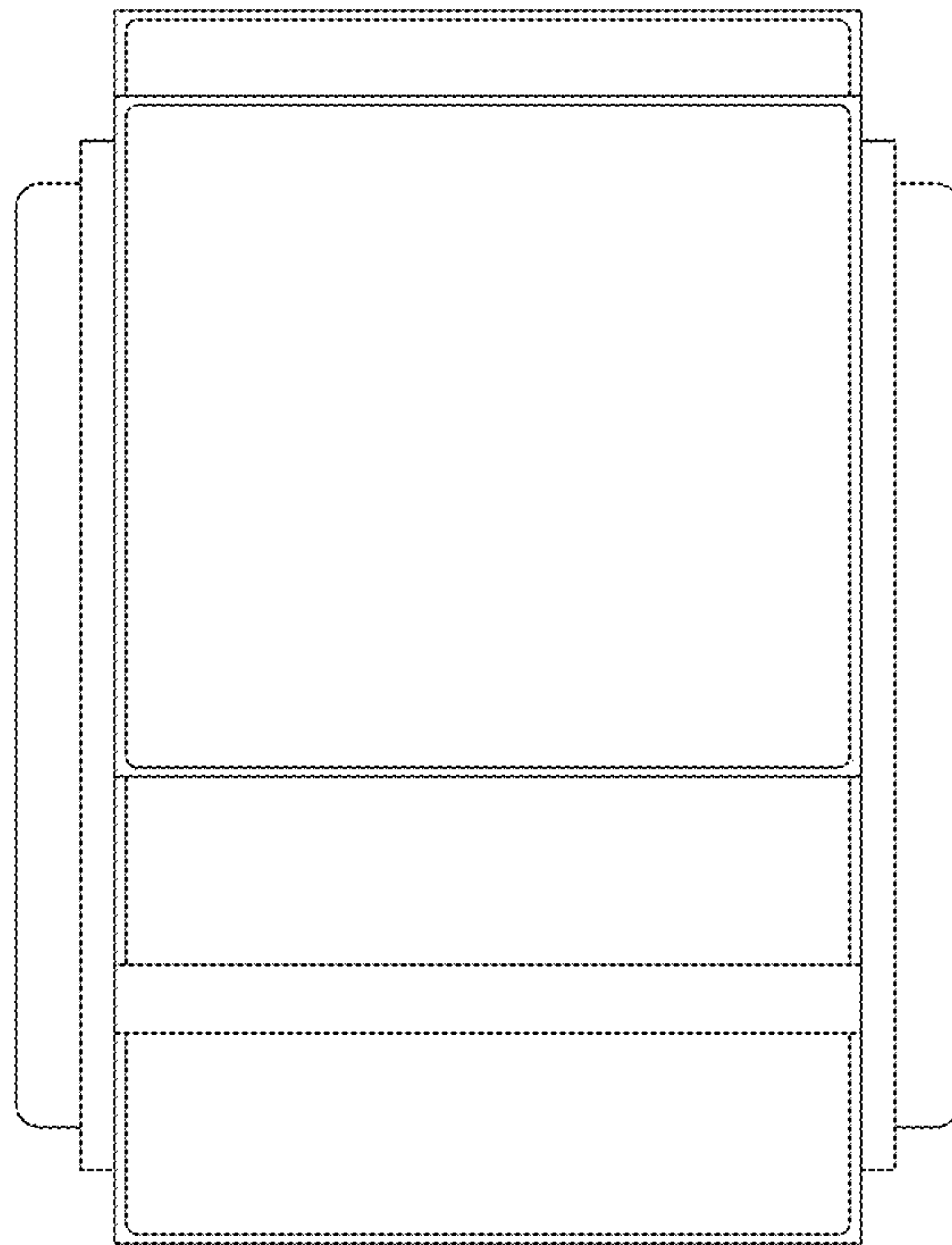


FIG. 6

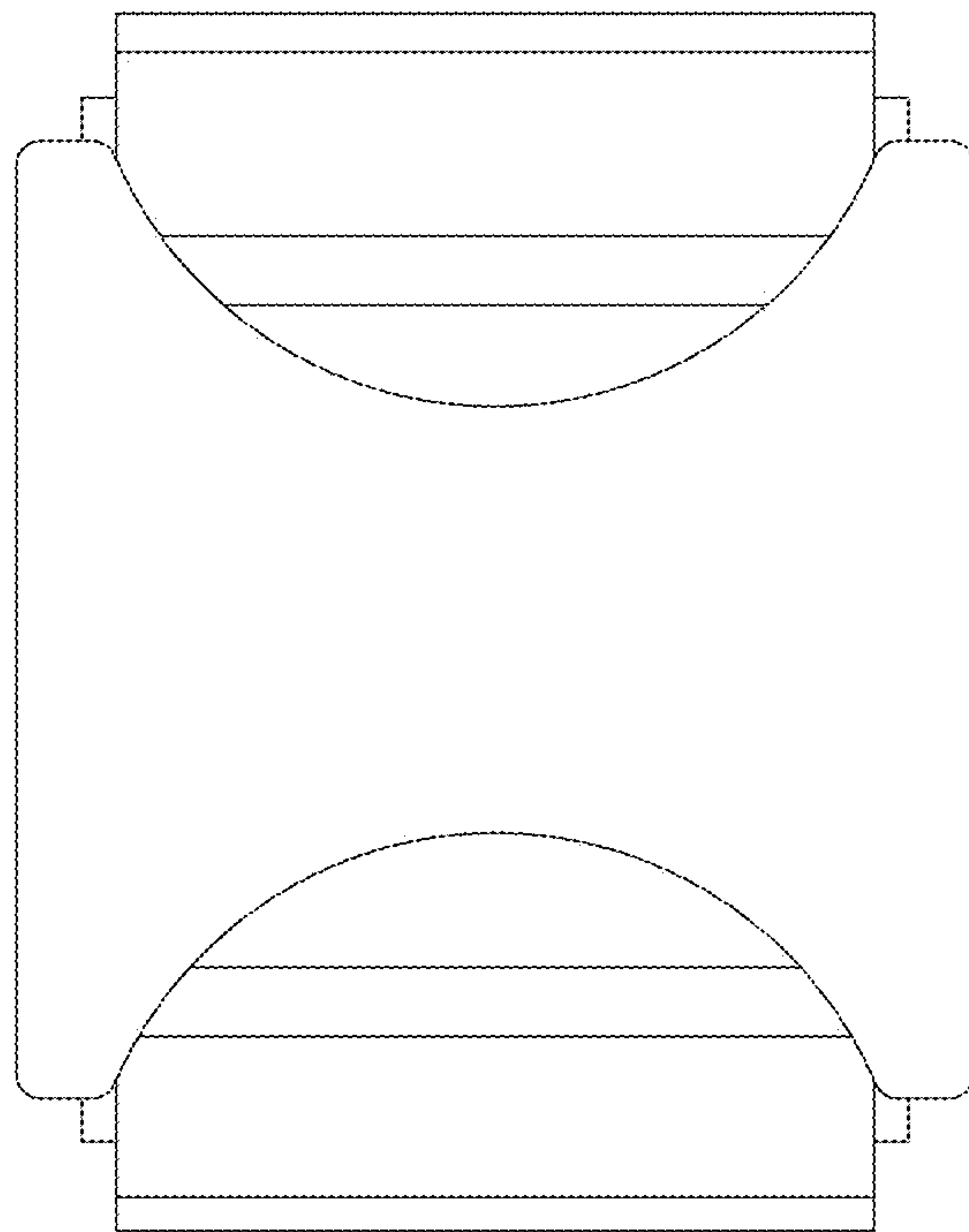


FIG. 7