



US00D881469S

(12) **United States Design Patent** (10) **Patent No.:** **US D881,469 S**
Dawson et al. (45) **Date of Patent:** **** Apr. 14, 2020**

(54) **HAIR TRIMMER DEVICE**

(71) Applicant: **Reckitt Benckiser (Brands) Limited**,
Slough (GB)

(72) Inventors: **Samuel Dawson**, Hull (GB); **Richard Gamble**, Slough (GB); **Jesse John Horne**, Warwickshire (GB); **Emma Raines**, Hull (GB); **David Sanders**, Warwickshire (GB)

(73) Assignee: **RECKITT BENCKISER HEALTH LIMITED**, Slough (GB)

(**) Term: **15 Years**

(21) Appl. No.: **29/644,232**

(22) Filed: **Apr. 16, 2018**

(30) **Foreign Application Priority Data**

Oct. 19, 2017 (EM) 004411981-0001

(51) **LOC (12) Cl.** **28-03**

(52) **U.S. Cl.**
USPC **D28/53**

(58) **Field of Classification Search**
USPC D28/45-54
CPC ... B26B 21/00-12; B26B 21/14; B26B 21/16;
B26B 21/165; B26B 21/18; B26B 21/185;
B26B 21/20-227; B26B 19/00; B26B
19/10; B26B 19/12; B26B 19/14; B26B
19/38; B26B 19/02-107
See application file for complete search history.

(56) **References Cited**

U.S. PATENT DOCUMENTS

3,842,498 A * 10/1974 Mizobata B26B 19/02
30/43.92
D569,552 S * 5/2008 Marquez D28/53
D634,067 S * 3/2011 Stowers D28/53

D748,859 S * 2/2016 Boulanger D28/53
D750,839 S * 3/2016 Szymanski D28/49
D758,663 S * 6/2016 Van Maanen D28/51
D776,877 S * 1/2017 Zadro D28/50
2009/0288298 A1* 11/2009 Ouchi B26B 19/063
30/43.92

(Continued)

OTHER PUBLICATIONS

How to use the Veet Sensitive Precision Expert™, VeetUK, published on May 12, 2018, retrieved on Jul. 11, 2019, retrieved from the Internet URL: <https://www.youtube.com/watch?v=j7XijDYe6sE>.*

(Continued)

Primary Examiner — Jennifer Rivard

Assistant Examiner — Alison M Ofstun

(74) *Attorney, Agent, or Firm* — Troutman Sanders LLP;
Ryan Schneider; Chris Davis

(57) **CLAIM**

The ornamental design for a hair trimmer device, as shown and described.

DESCRIPTION

FIG. 1 is a perspective view of the hair trimmer device showing our new design;
FIG. 2 is a front elevation view of the hair trimmer device of FIG. 1;
FIG. 3 is the side elevation view of the hair trimmer device of FIG. 1;
FIG. 4 is the back elevation view of the hair trimmer device of FIG. 1;
FIG. 5 is the other side elevation view of the hair trimmer device of FIG. 1;
FIG. 6 is a top plan view of the hair trimmer device of FIG. 1; and,
FIG. 7 is a bottom plan view of the hair trimmer device of FIG. 1.

1 Claim, 7 Drawing Sheets



(56)

References Cited

U.S. PATENT DOCUMENTS

2011/0010942 A1* 1/2011 Lau B26B 19/06
30/29.5
2012/0192436 A1* 8/2012 Toy B26B 19/06
30/216
2015/0251325 A1* 9/2015 Teteak B26B 19/06
30/228
2018/0194024 A1* 7/2018 Teteak B26B 19/148

OTHER PUBLICATIONS

How to use Veet Sensitive Precision™ Beauty Styler?, VeetUK, published on Jul. 22, 2016 on youtube.com, retrieved on Jul. 11, 2019, retrieved from the Internet URL: https://www.youtube.com/watch?v=Rxx3N2E_Nyk.*

Veet Sensitive Precision Beauty Styler Expert_ Veet, first available on Jan. 10, 2018 on amazon.co.uk, retrieved on Jul. 11, 2019, retrieved from the Internet URL: <https://www.amazon.co.uk/Veet-Sensitive-Precision-Beauty-Styler/dp/B078J39LBN>.*

* cited by examiner

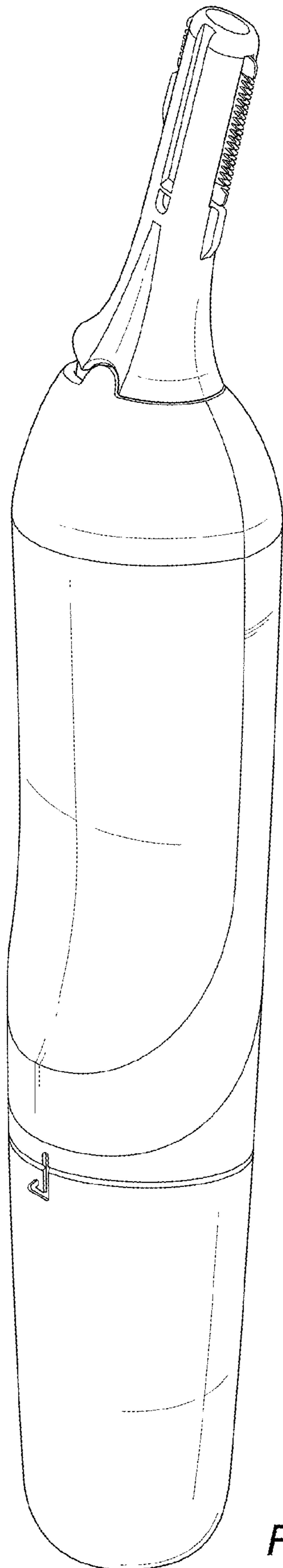


Fig. 1

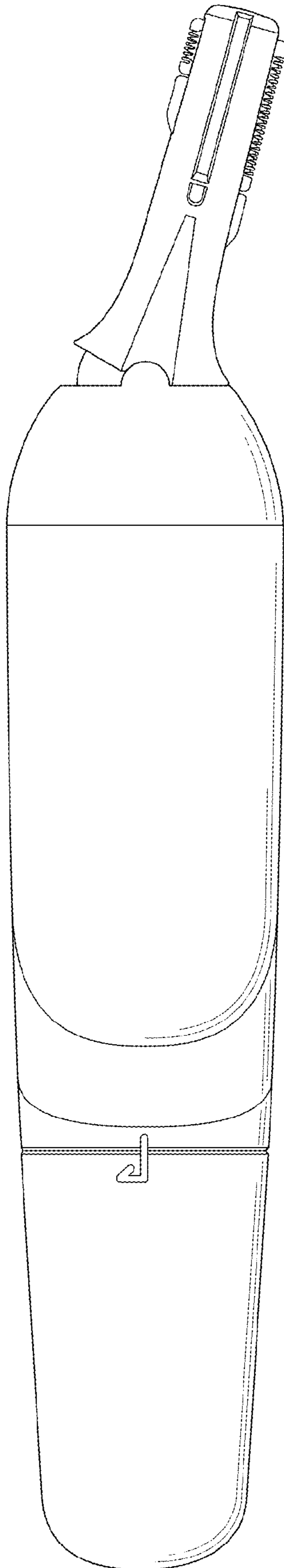


Fig. 2

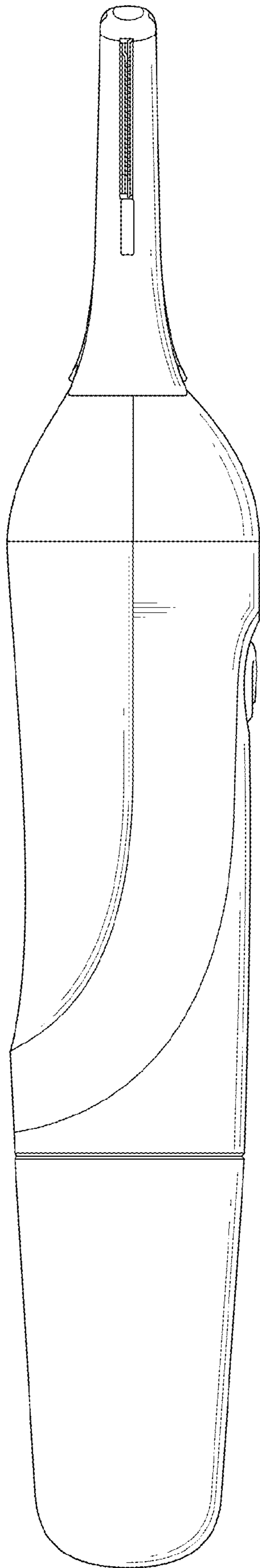


Fig. 3

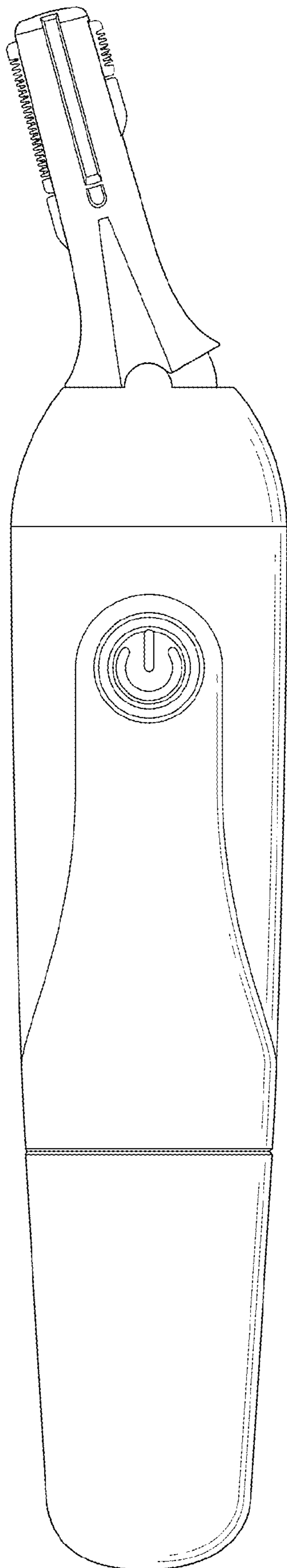


Fig. 4

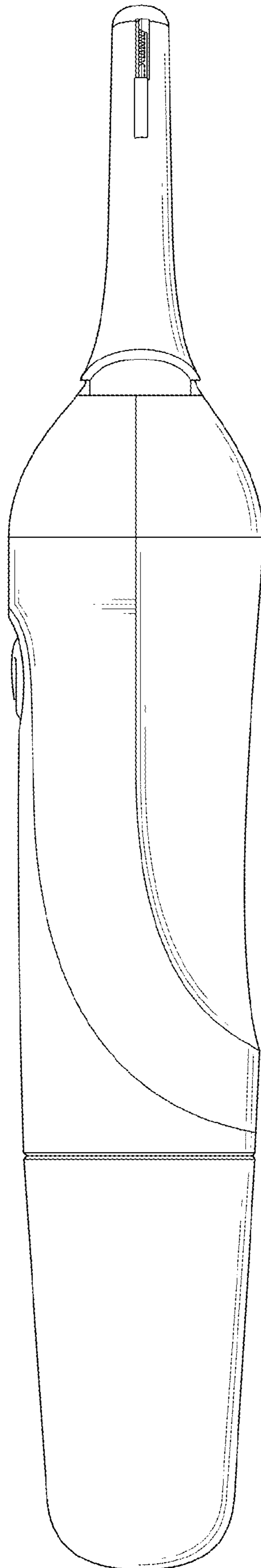


Fig. 5

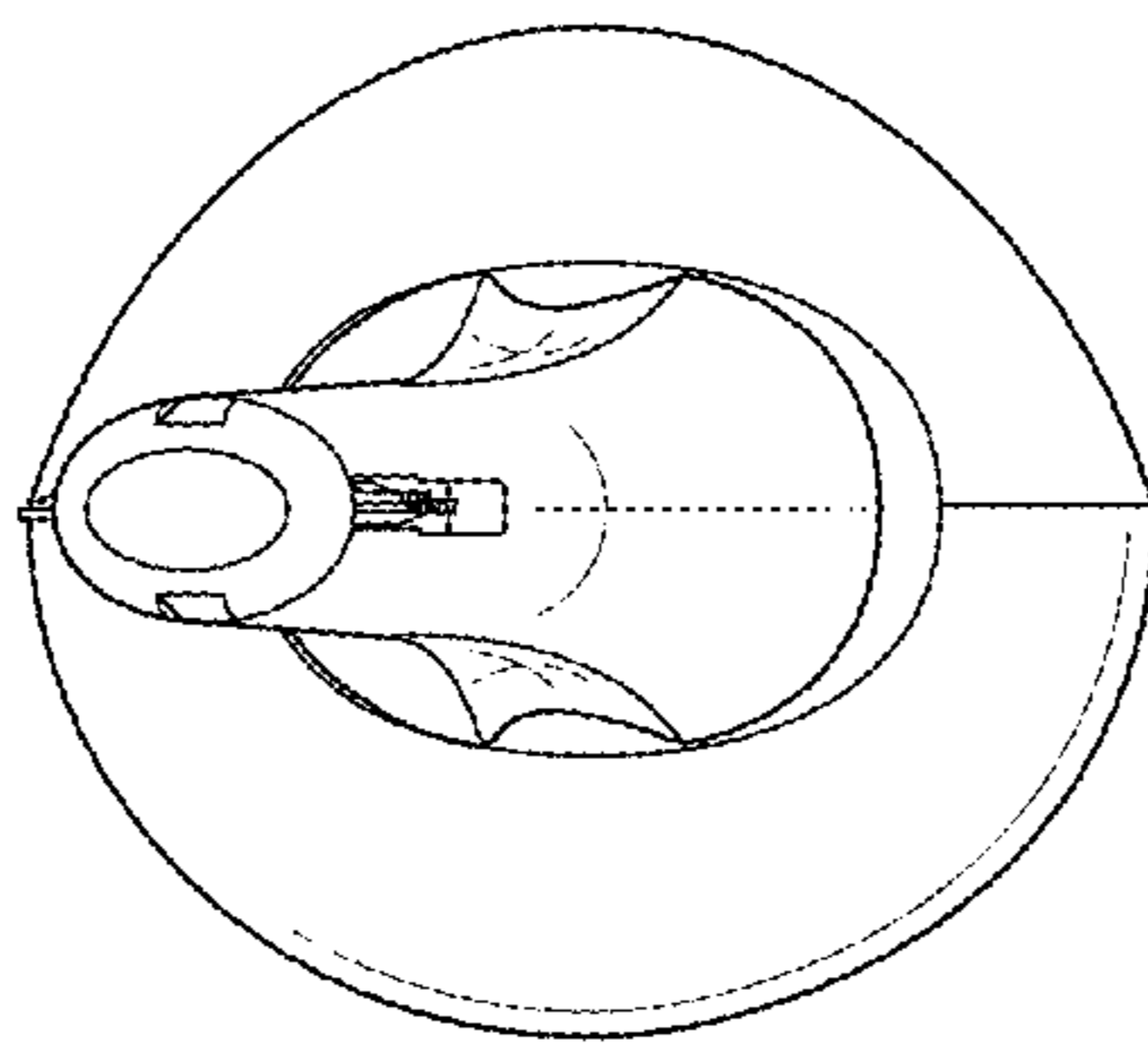


Fig. 6

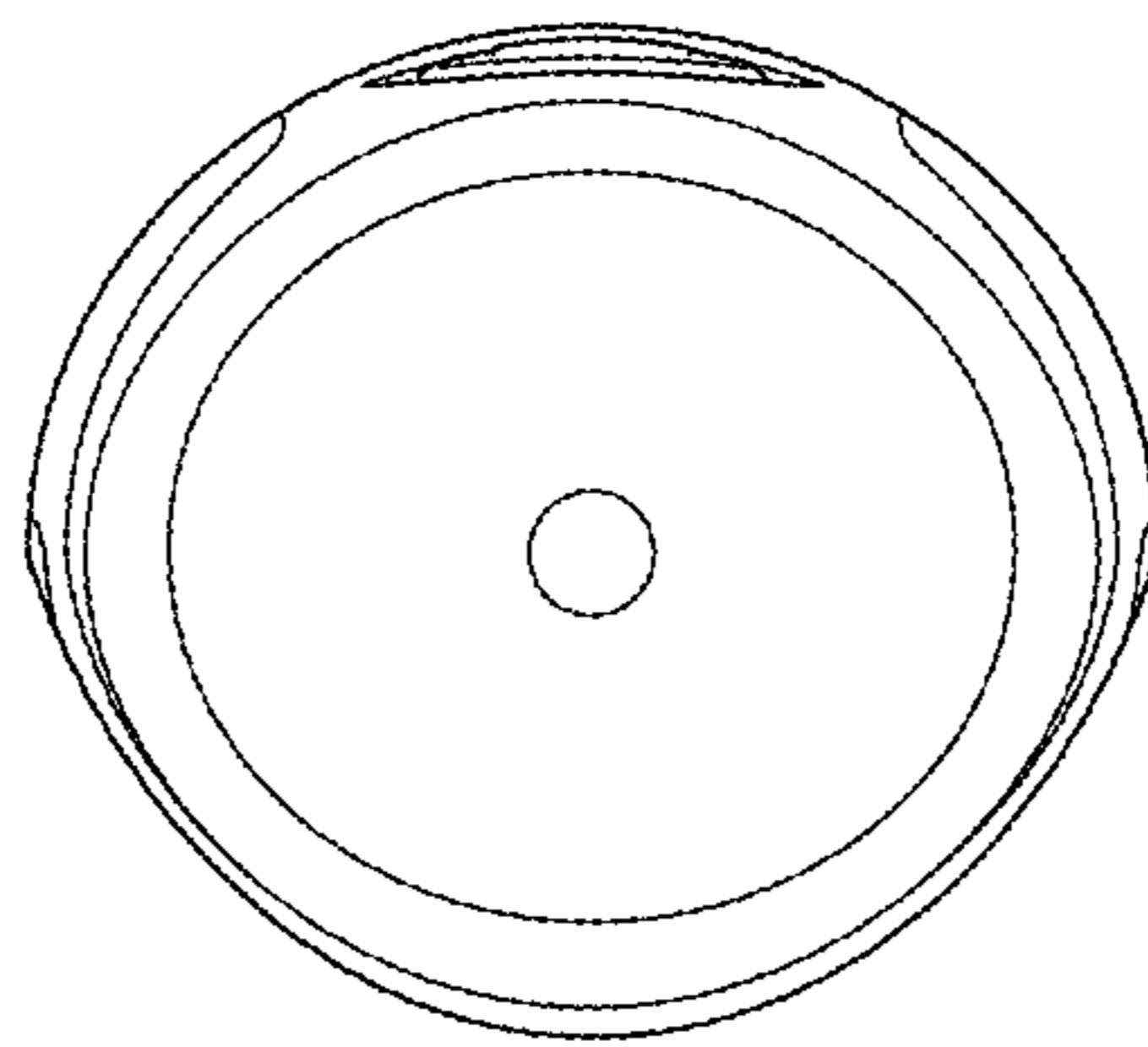


Fig. 7