



US00D881464S

(12) **United States Design Patent** (10) **Patent No.:** **US D881,464 S**
Lin (45) **Date of Patent:** **** Apr. 14, 2020**

(54) **CIGARETTE MAKING MACHINE**

(71) Applicant: **REPUBLIC TOBACCO L.P.**,
Glenview, IL (US)

(72) Inventor: **Mei Lin**, Northbrook, IL (US)

(73) Assignee: **Republic Tobacco L.P.**, Glenview, IL
(US)

(**) Term: **15 Years**

(21) Appl. No.: **29/609,735**

(22) Filed: **Jul. 5, 2017**

(51) **LOC (12) Cl.** **27-99**

(52) **U.S. Cl.**
USPC **D27/194**

(58) **Field of Classification Search**
USPC D15/130, 138, 145, 147; D18/58;
D24/107, 128, 216, 219, 220, 224, 227,
D24/231, 232; D27/100, 101, 172, 184,
D27/193, 194, 195
CPC A24D 1/00
See application file for complete search history.

(56) **References Cited**

U.S. PATENT DOCUMENTS

D250,965 S * 1/1979 Moscovitch D27/194
D613,033 S * 4/2010 Lin D27/194
D659,901 S * 5/2012 Lin D27/194

D665,126 S * 8/2012 Lin D27/194
D700,399 S * 2/2014 Lin D27/194
D769,521 S * 10/2016 Lin D27/194
D840,249 S * 2/2019 Payne D9/760
10,231,480 B1 * 3/2019 Parcevaux A24C 5/425
2014/0123985 A1 * 5/2014 Lin A24C 5/06
131/77
2016/0205994 A1 * 7/2016 Lin A24C 5/06

* cited by examiner

Primary Examiner — Michael C Stout

Assistant Examiner — Fritzgerald L Butac

(74) *Attorney, Agent, or Firm* — Michael Best &
Friedrich LLP

(57) **CLAIM**

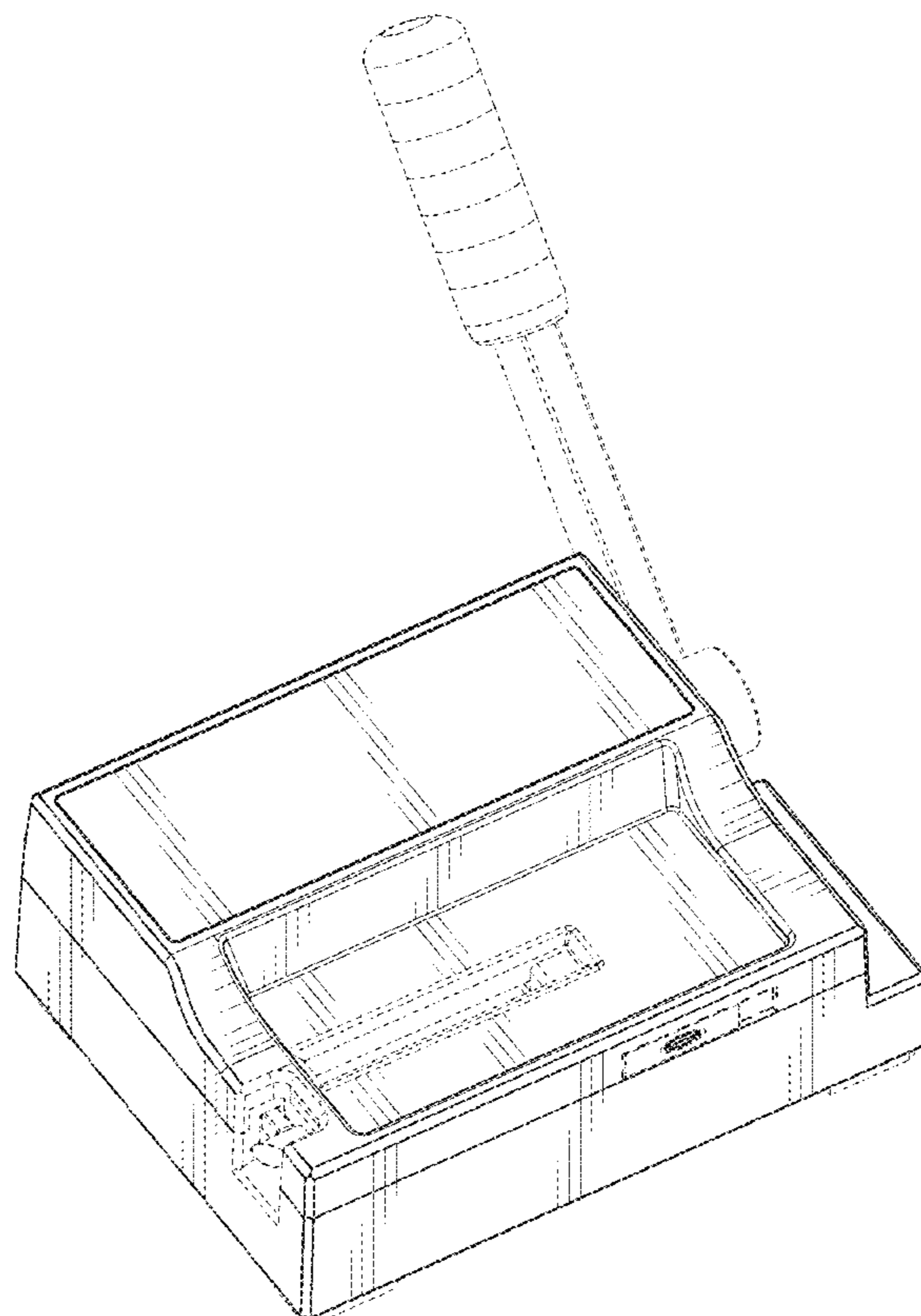
The ornamental design for a cigarette making machine, as shown and described.

DESCRIPTION

FIG. 1 is a perspective view of a cigarette making machine according to the present invention;
FIG. 2 is a top plan view thereof;
FIG. 3 is a bottom plan view thereof;
FIG. 4 is a left side elevation view thereof;
FIG. 5 is a right side elevation view thereof;
FIG. 6 is a front elevation view thereof; and,
FIG. 7 is a rear elevation view thereof.

The broken lines show portions of a cigarette making machine that form no part of the claimed design.

1 Claim, 7 Drawing Sheets



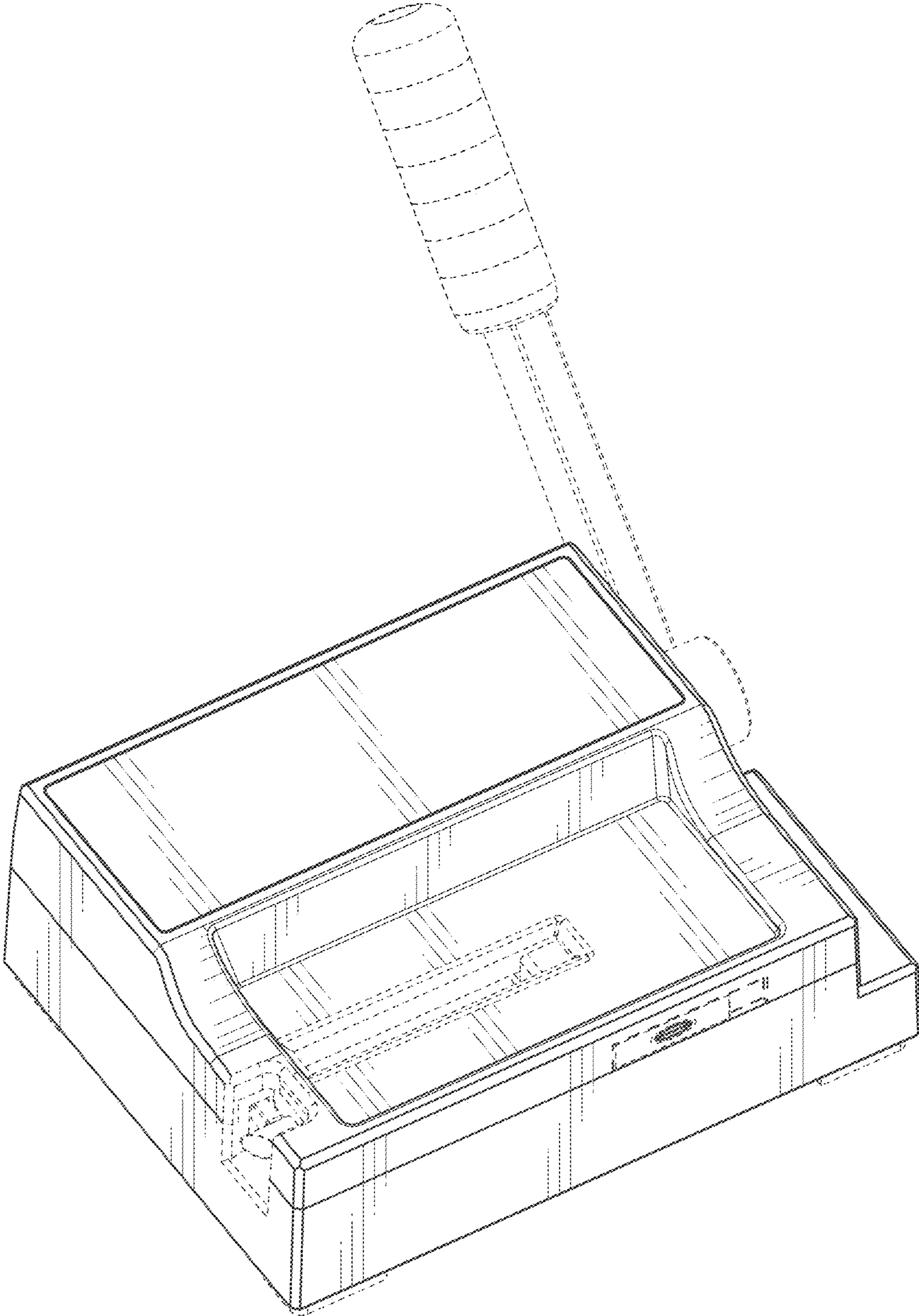


FIG. 1

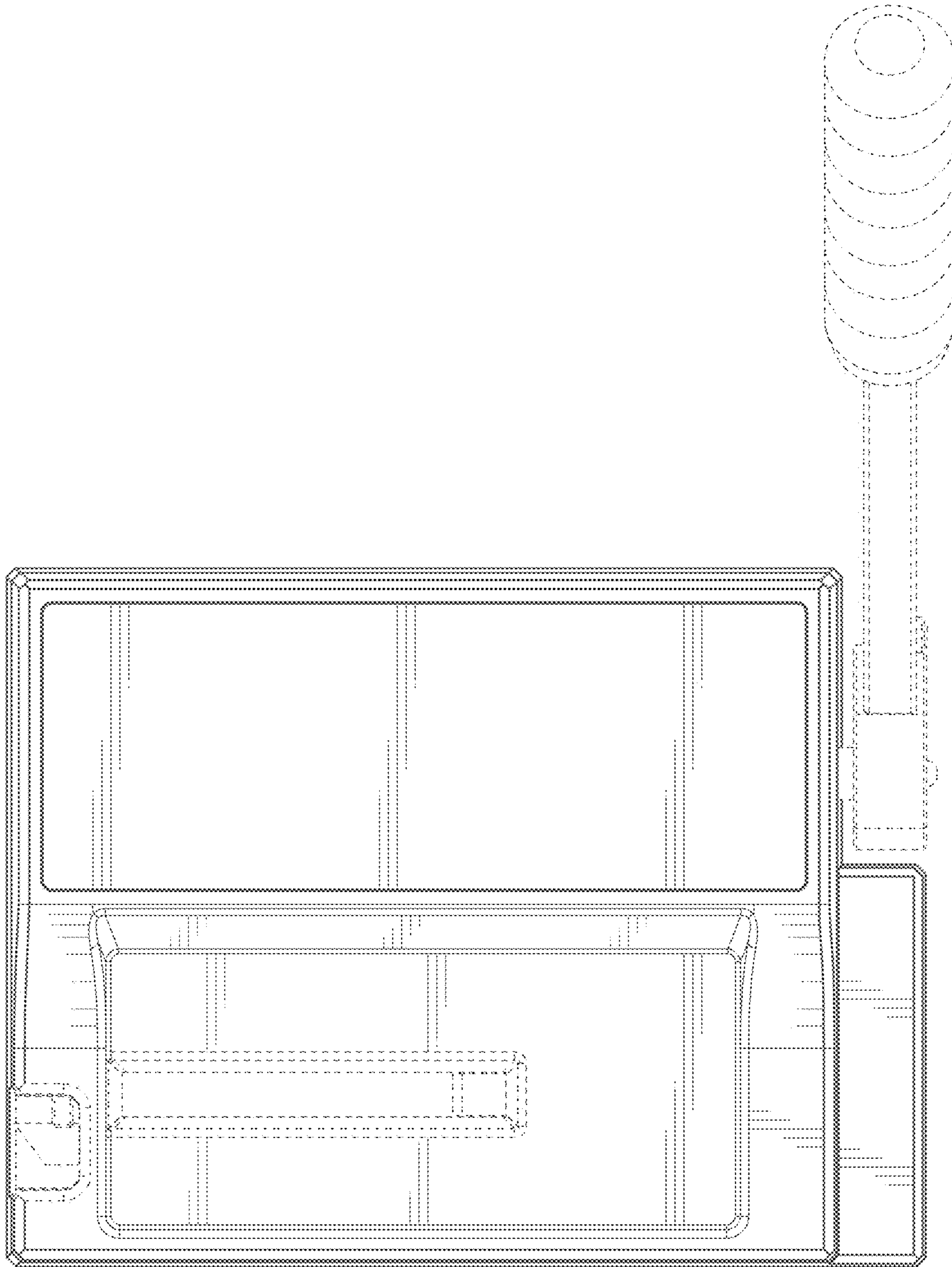


FIG. 2

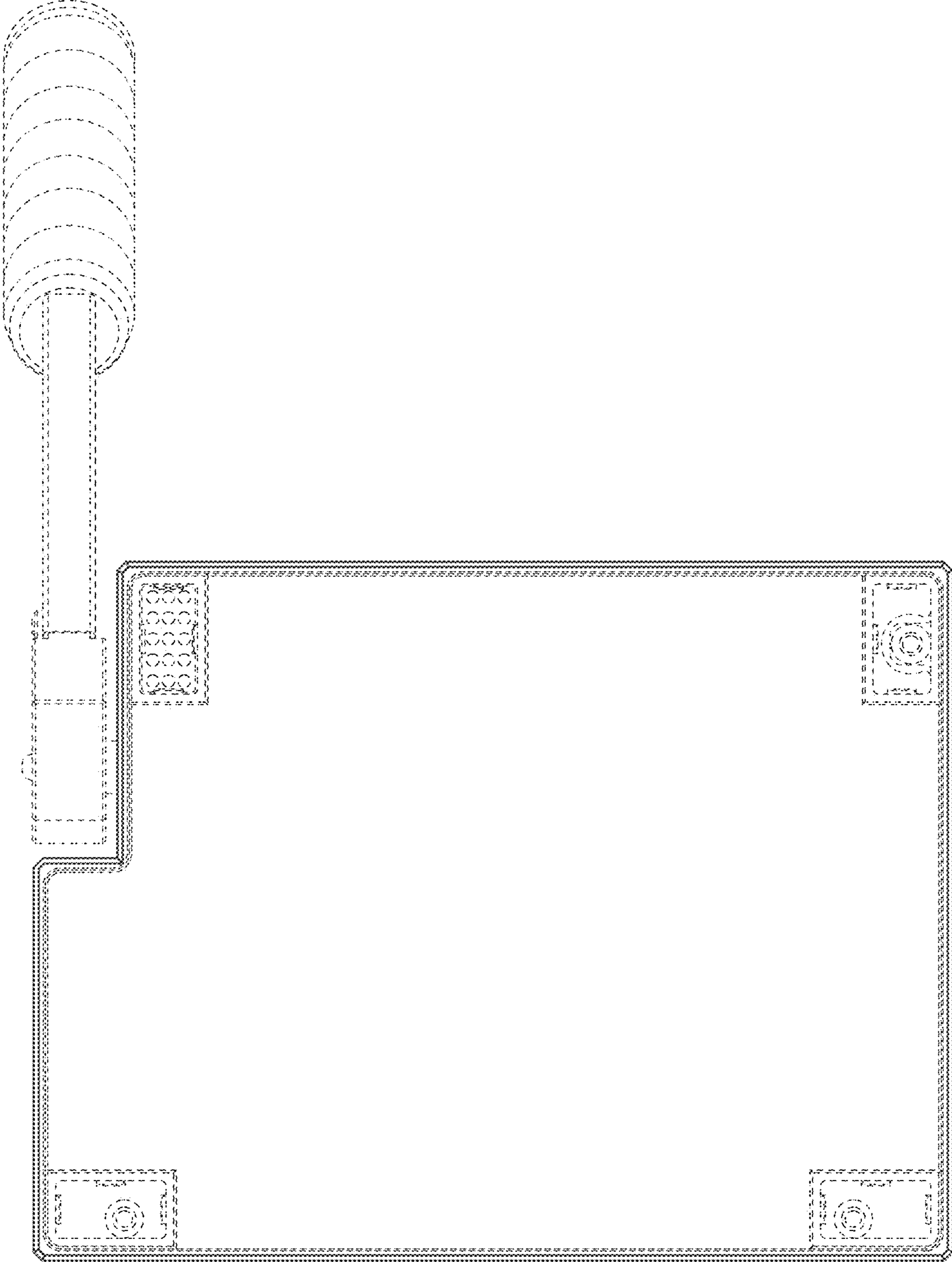


FIG. 3

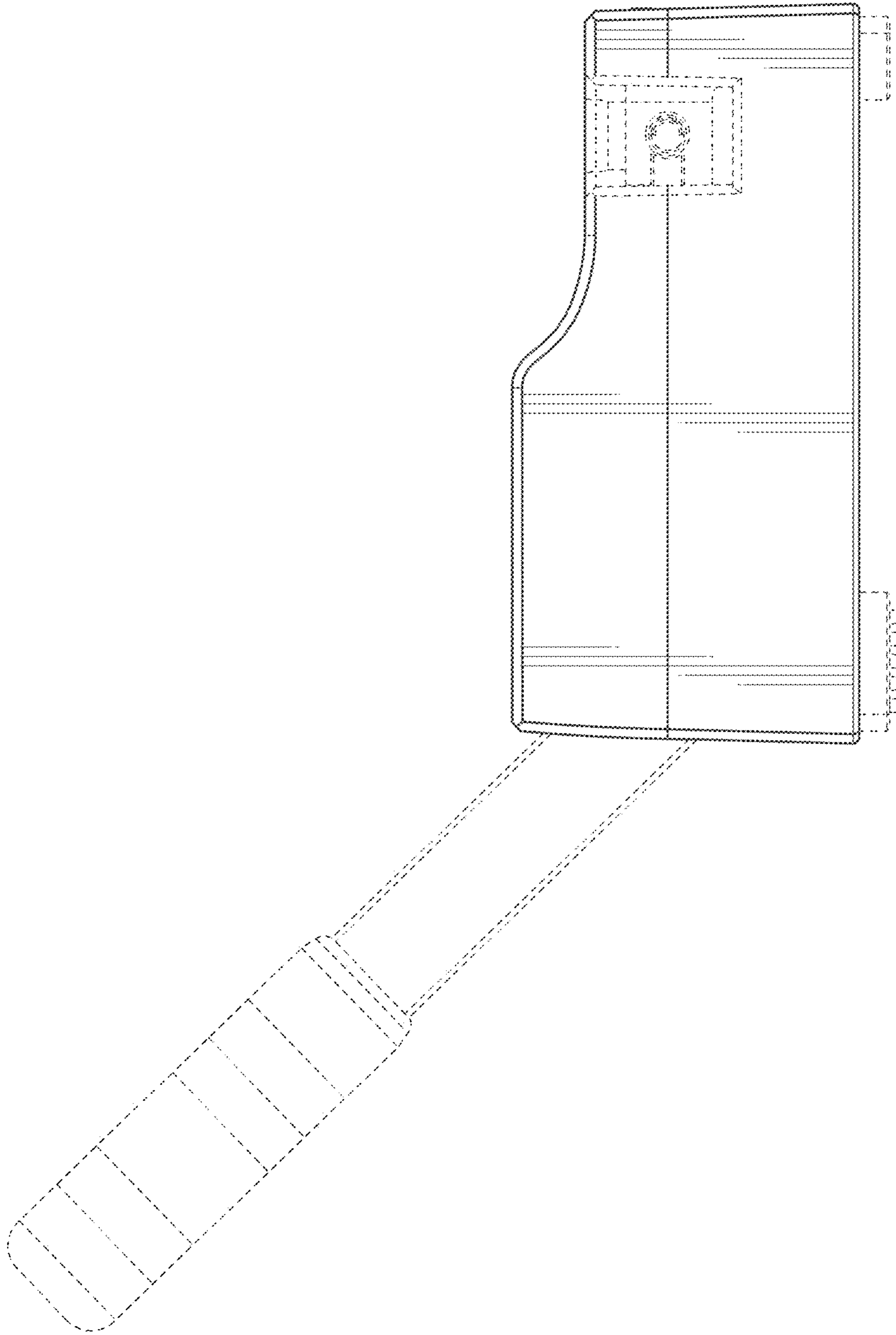


FIG. 4

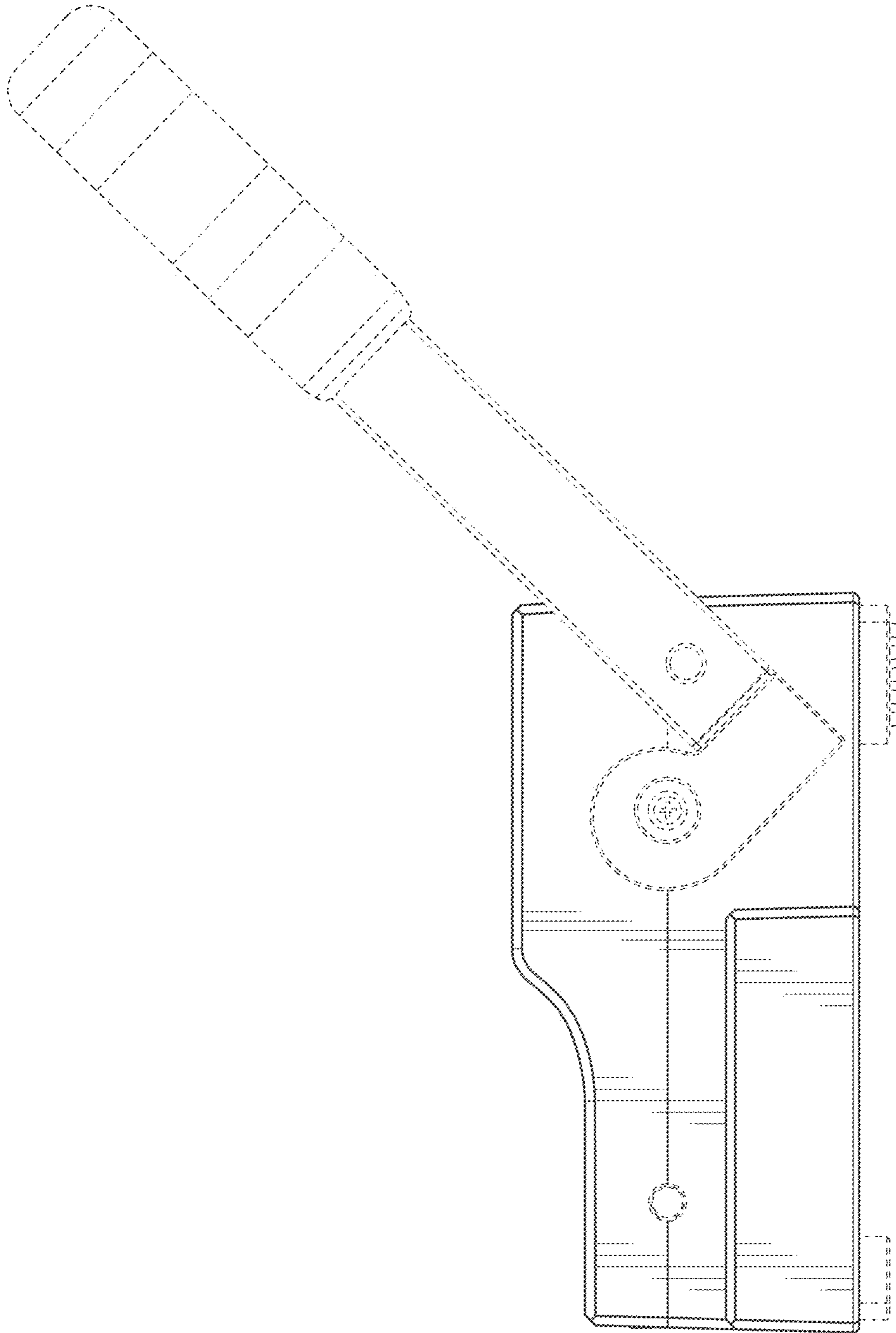


FIG. 5

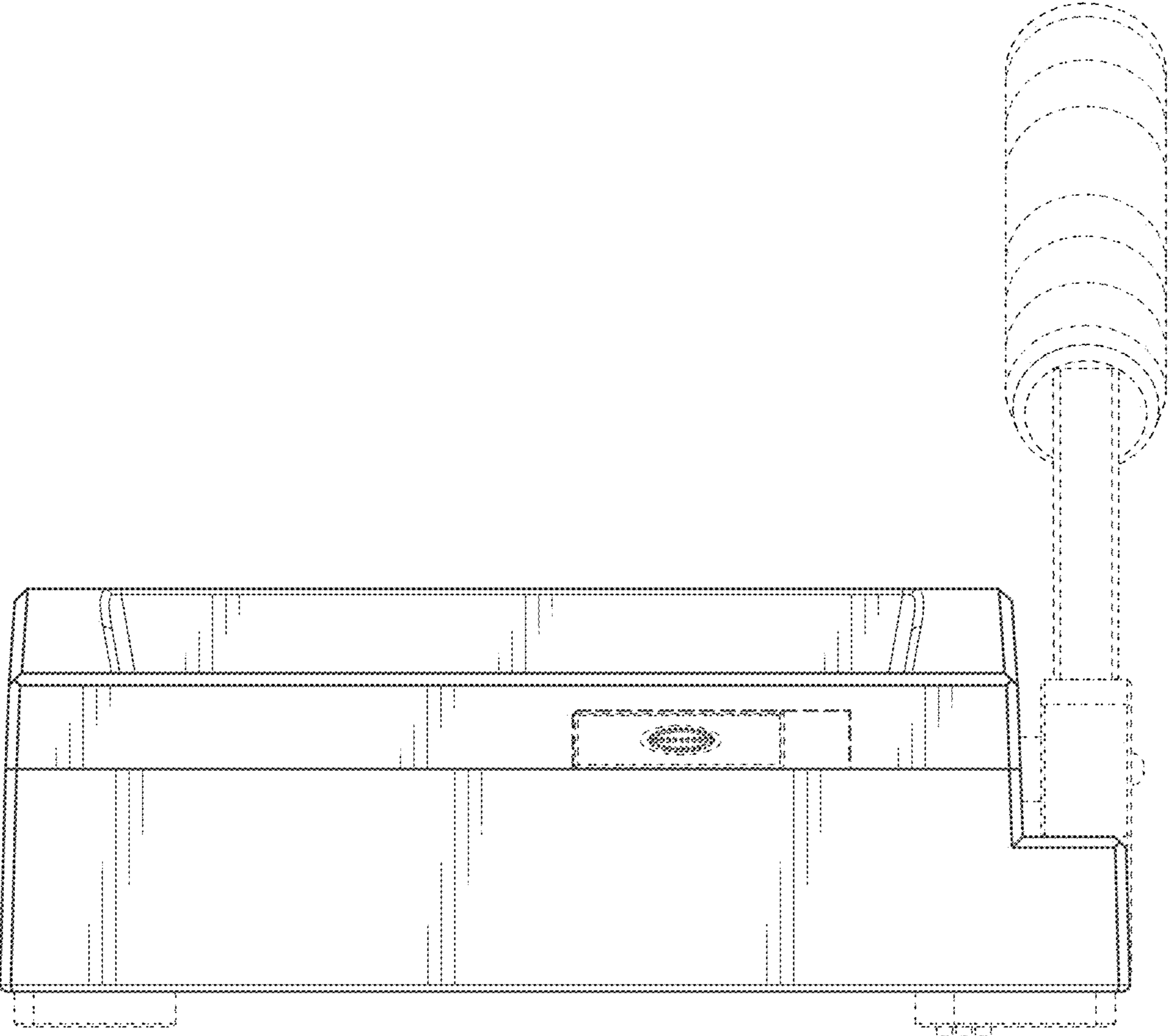


FIG. 6

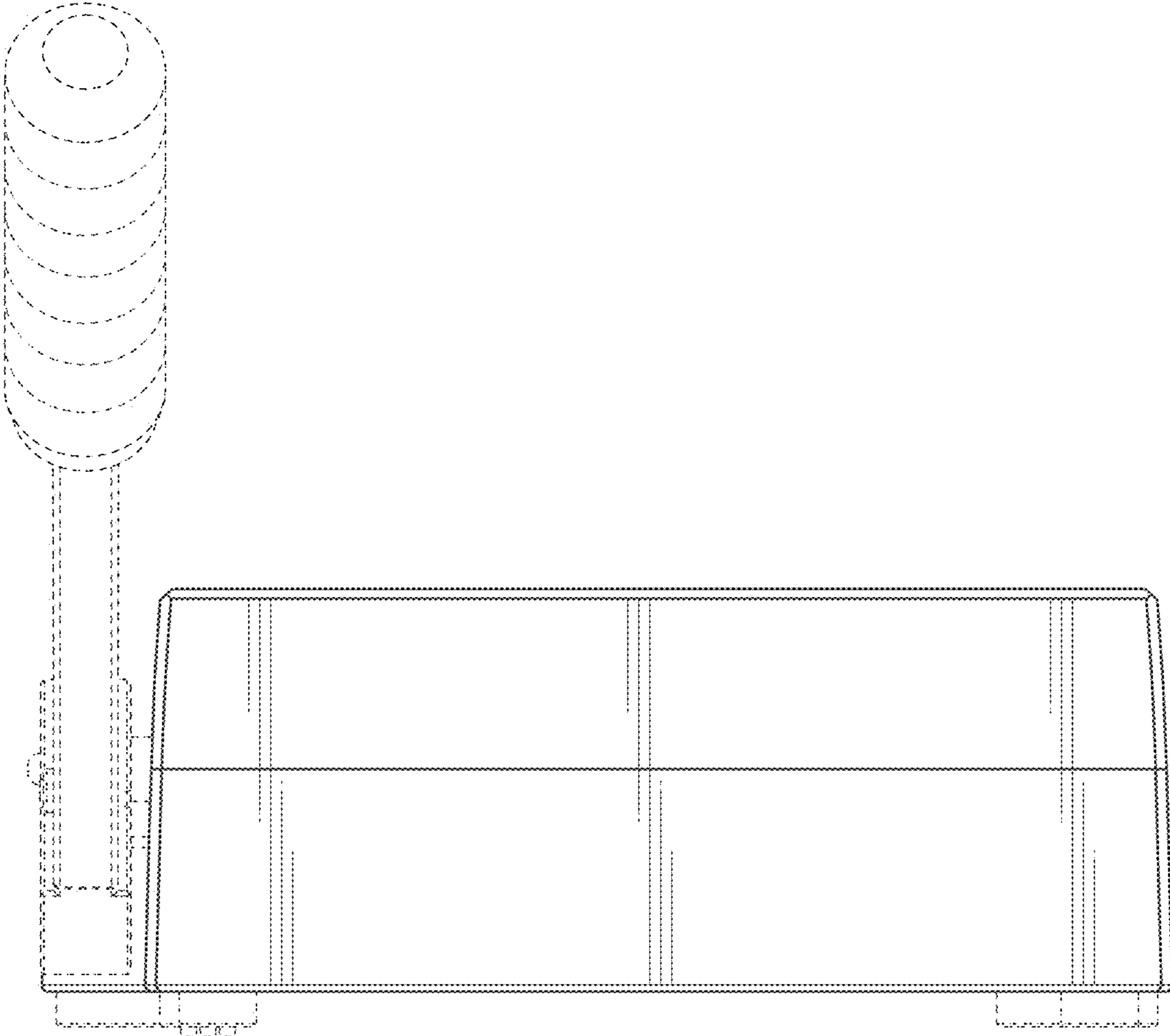


FIG. 7