



US00D881463S

(12) **United States Design Patent** (10) **Patent No.:** **US D881,463 S**  
**Qiu** (45) **Date of Patent:** **\*\* Apr. 14, 2020**

(54) **ATOMIZER HEAD**  
(71) Applicant: **Changzhou Patent Electronic Technology Co., Ltd, Changzhou (CN)**  
(72) Inventor: **Wei-Hua Qiu, ChangZhou (CN)**  
(73) Assignee: **Changzhou Patent Electronic Technology Co., Ltd, Changzhou (CN)**  
(\*\*) Term: **15 Years**

(21) Appl. No.: **29/647,924**  
(22) Filed: **May 16, 2018**  
(51) **LOC (12) Cl.** ..... **27-02**  
(52) **U.S. Cl.**  
USPC ..... **D27/167**  
(58) **Field of Classification Search**  
USPC ..... D28/91, 91.1, 91.2; D27/101, 167  
CPC ..... A24F 47/00; A24F 47/008; A45D 1/00;  
A45D 1/03; A45D 2/48; A45D 2/06;  
A45D 29/04; A45D 29/11; A45D 29/18;  
A45D 34/00; A45D 34/005; A45D  
34/007; A45D 26/00; A45D 26/0066;  
B05B 11/06  
See application file for complete search history.

(56) **References Cited**  
U.S. PATENT DOCUMENTS  
D739,599 S \* 9/2015 Liu ..... D27/101  
D740,488 S \* 10/2015 Leidel ..... D27/167  
D747,547 S \* 1/2016 Liu ..... D27/101  
D763,502 S \* 8/2016 Verleur ..... D27/167  
D792,022 S \* 7/2017 Li ..... D27/167  
D799,114 S \* 10/2017 Li ..... D27/167  
D811,652 S \* 2/2018 Liu ..... D27/167  
D826,471 S \* 8/2018 Wang ..... D27/167

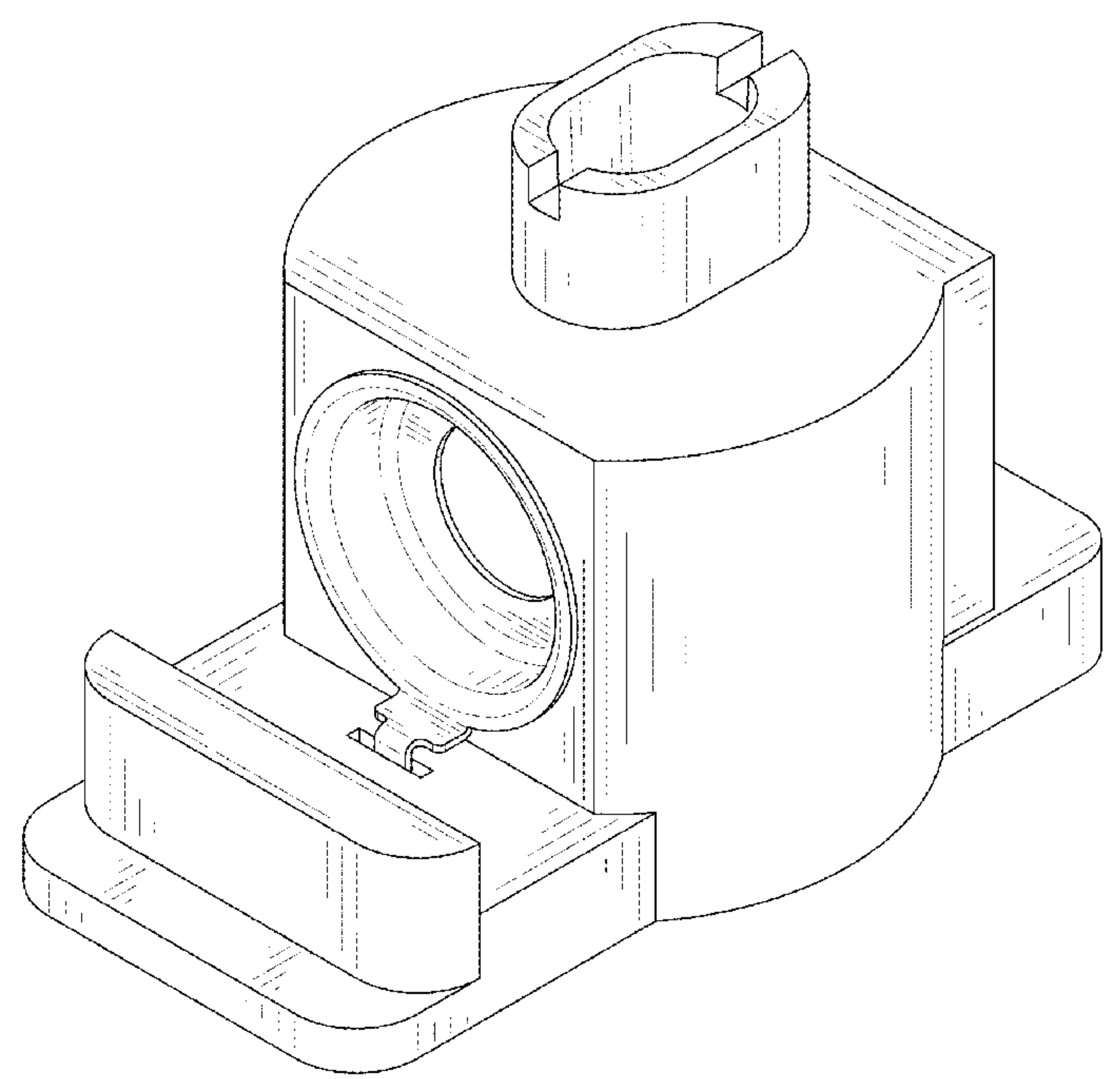
D836,243 S \* 12/2018 Liu ..... D27/167  
2018/0014577 A1 \* 1/2018 Qiu ..... A24F 47/00  
2018/0064172 A1 \* 3/2018 Qiu ..... A24F 47/008  
2018/0140017 A1 \* 5/2018 Qiu ..... A24F 47/008  
2018/0153222 A1 \* 6/2018 Shen ..... B67D 7/36

\* cited by examiner  
*Primary Examiner* — Jennifer Rivard  
*Assistant Examiner* — Alison M Ofstun  
(74) *Attorney, Agent, or Firm* — ScienBiziP, P.C.

(57) **CLAIM**  
The ornamental design for an atomizer head, as shown and described.

**DESCRIPTION**  
FIG. 1 is a top front perspective view of an atomizer head showing my design;  
FIG. 2 is a top rear perspective view of the atomizer head of FIG. 1;  
FIG. 3 is a front elevation view of the atomizer head of FIG. 1;  
FIG. 4 is a rear elevation view of the atomizer head of FIG. 1;  
FIG. 5 is a left side elevation view of the atomizer head of FIG. 1;  
FIG. 6 is a right side elevation view of the atomizer head of FIG. 1;  
FIG. 7 is a top plan view of the atomizer head of FIG. 1; and, FIG. 8 is a bottom plan view of the atomizer head of FIG. 1.  
The broken lines in the drawings are for illustrating unclaimed portions of the atomizer head, and form no part of the claimed design.

**1 Claim, 8 Drawing Sheets**



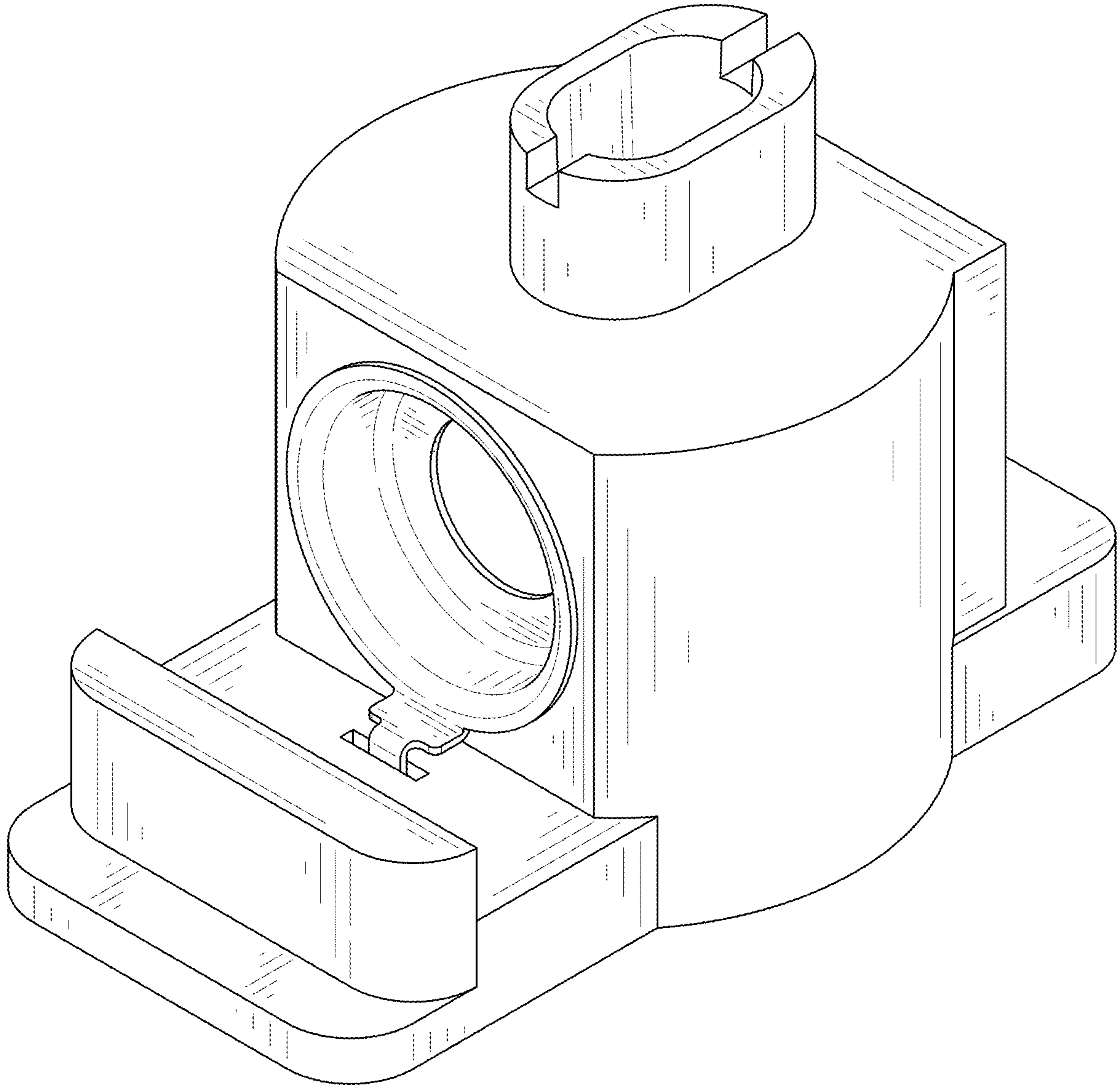


FIG. 1

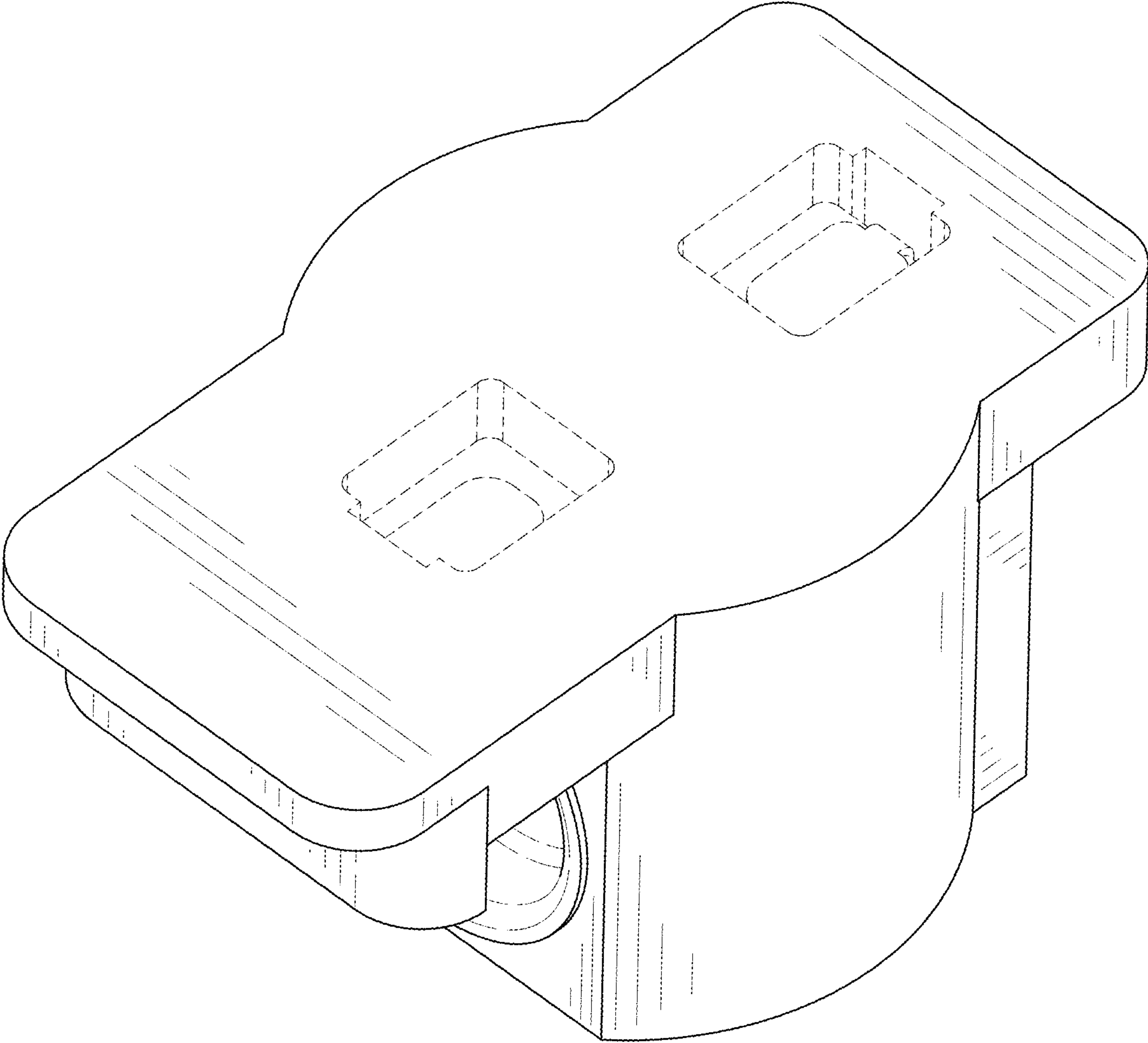


FIG. 2

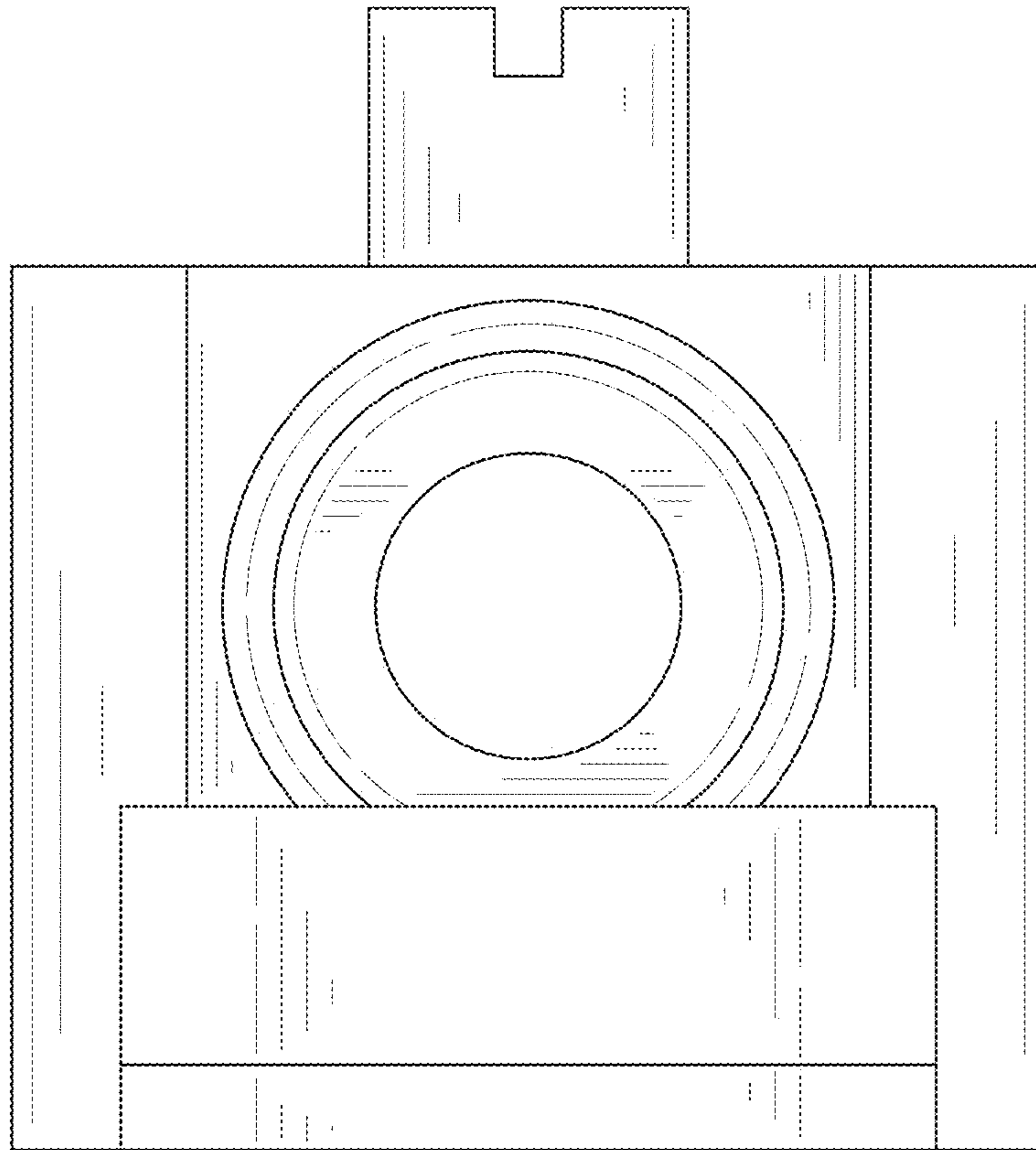


FIG. 3

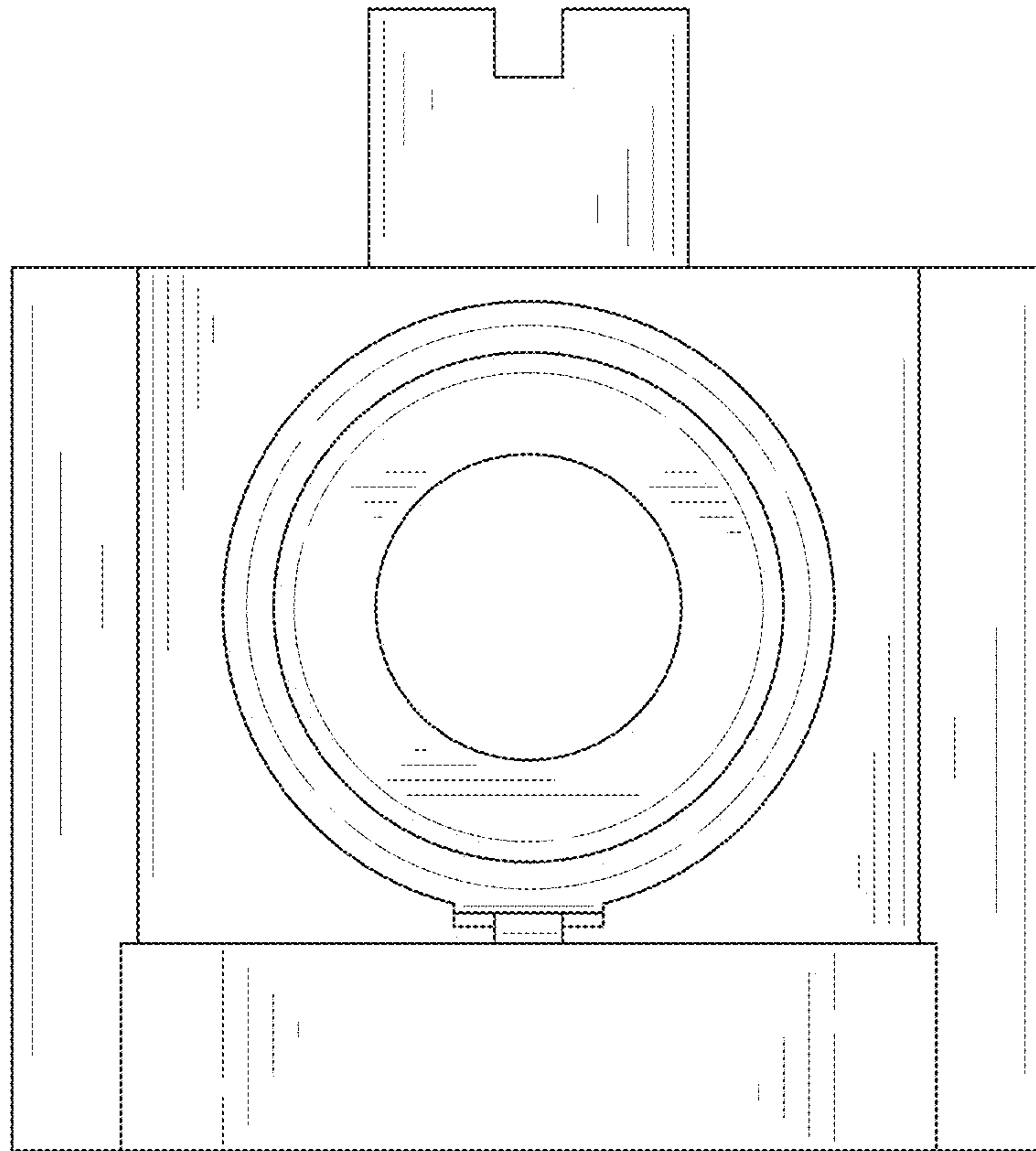


FIG. 4

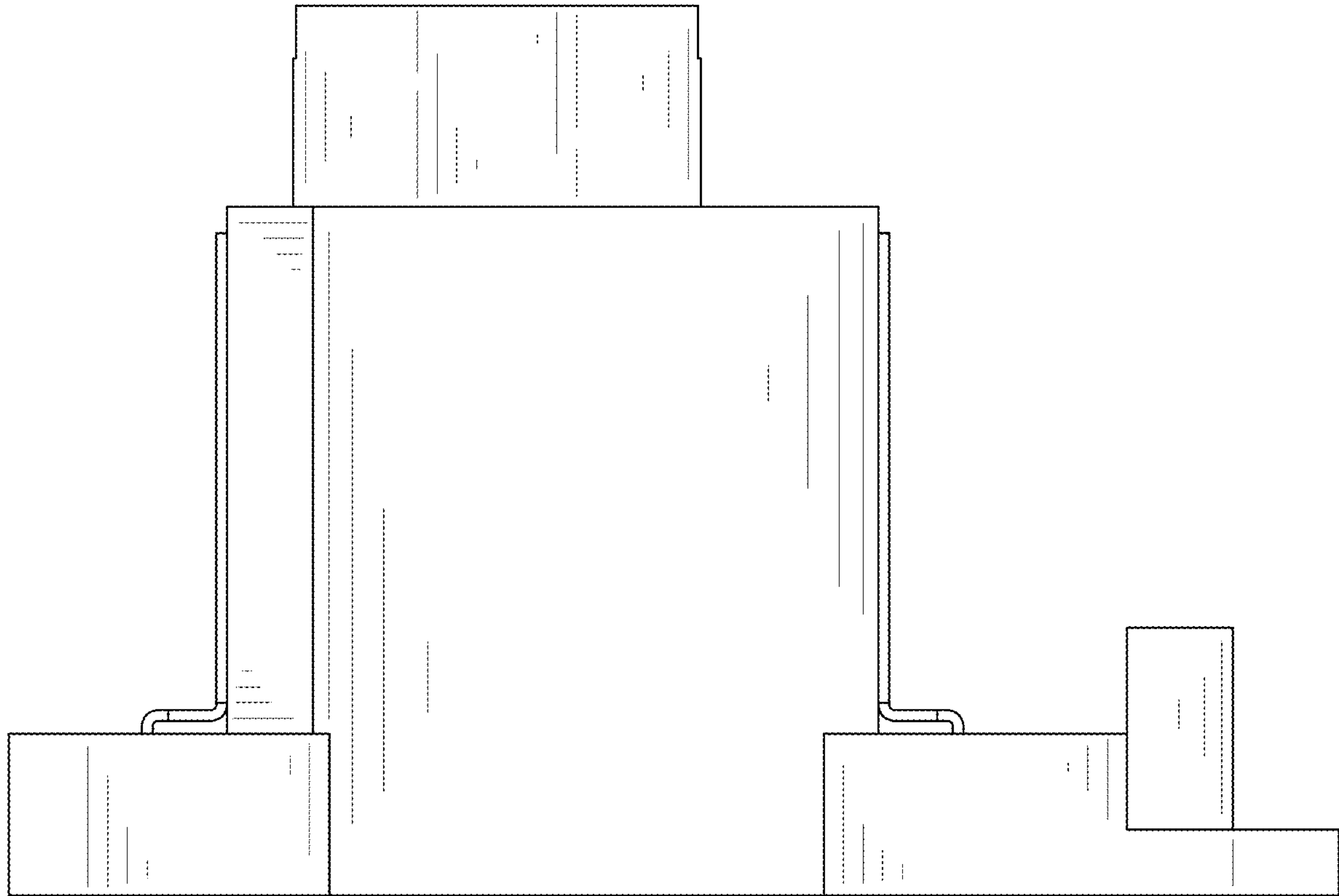


FIG. 5



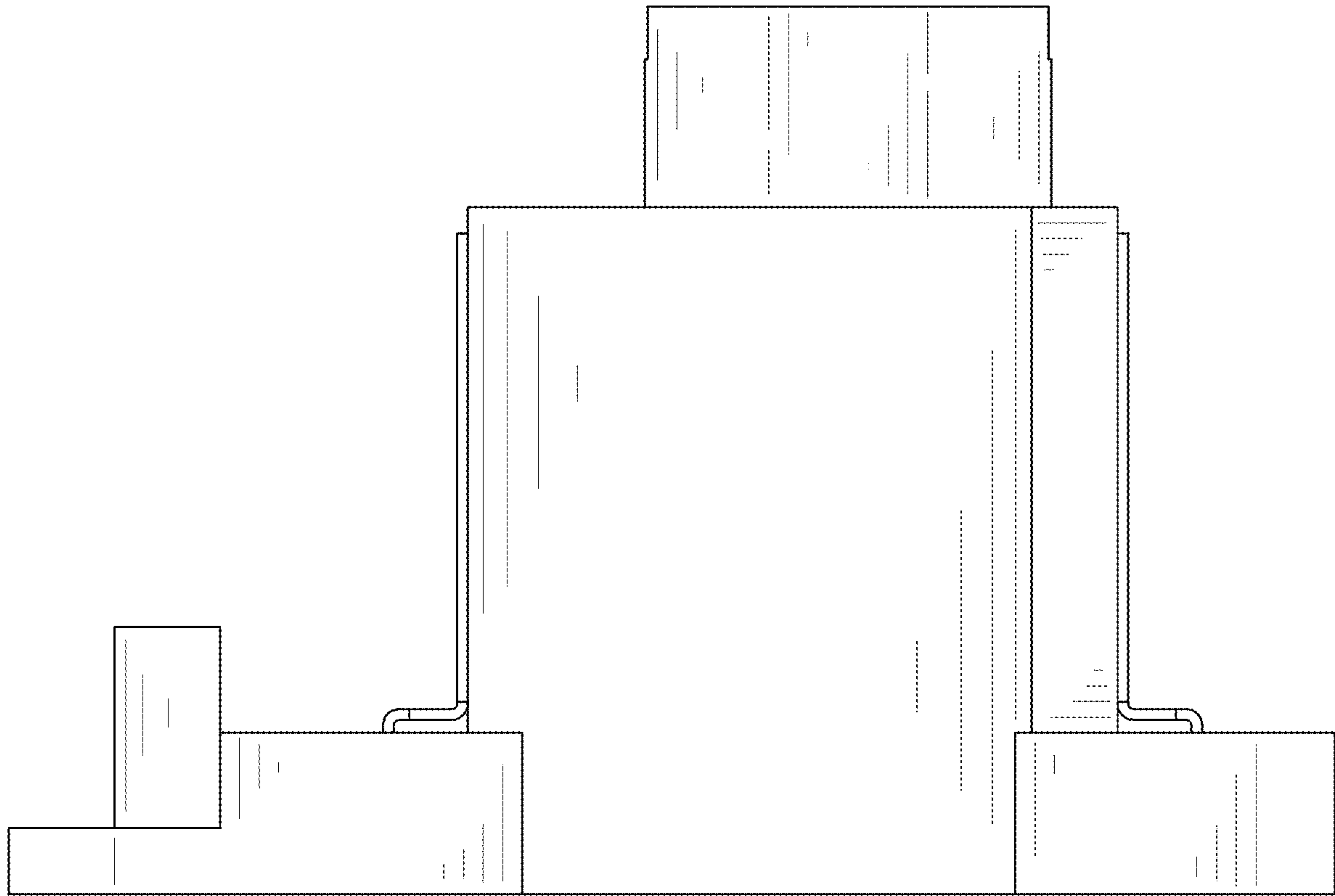


FIG. 6

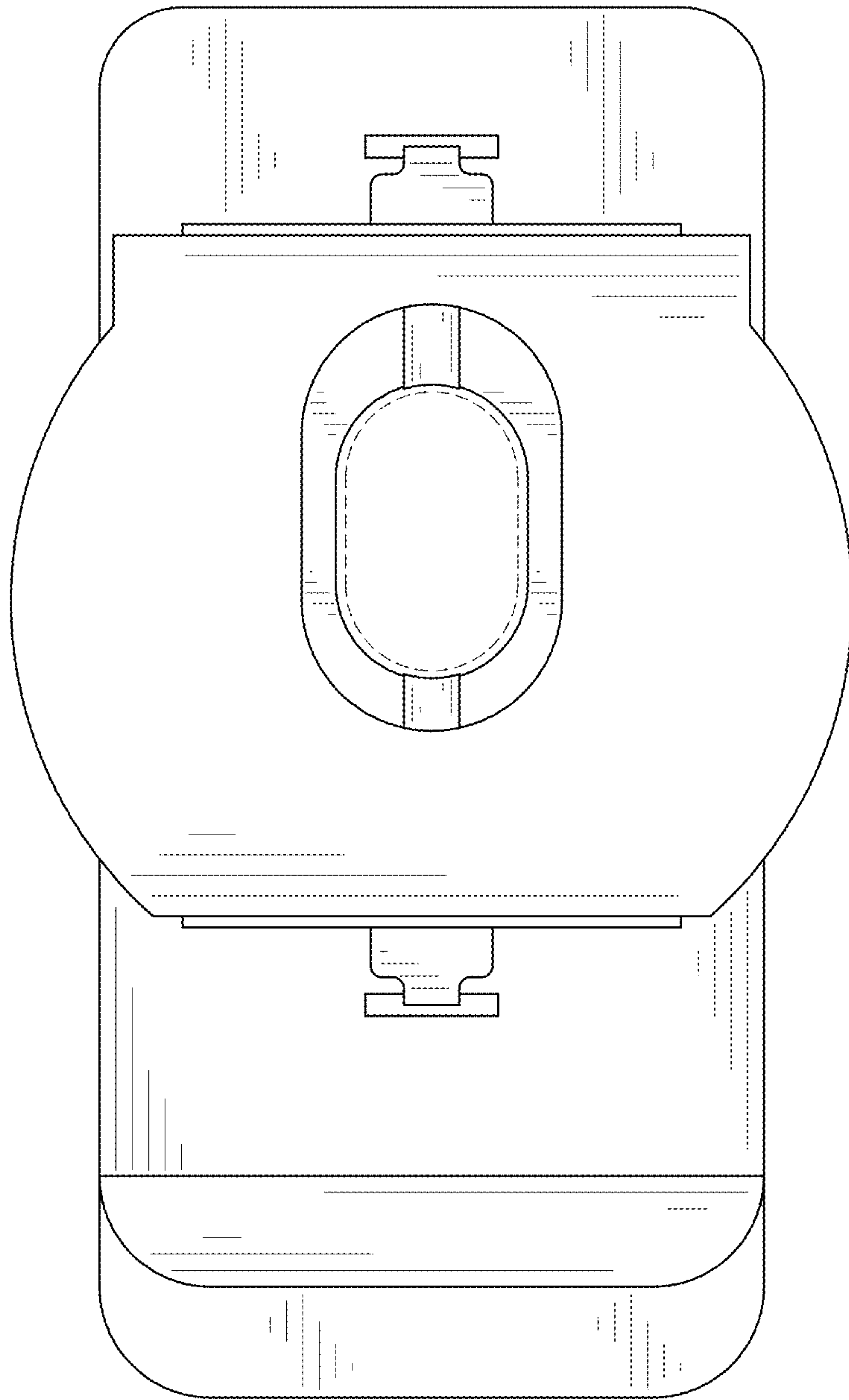


FIG. 7



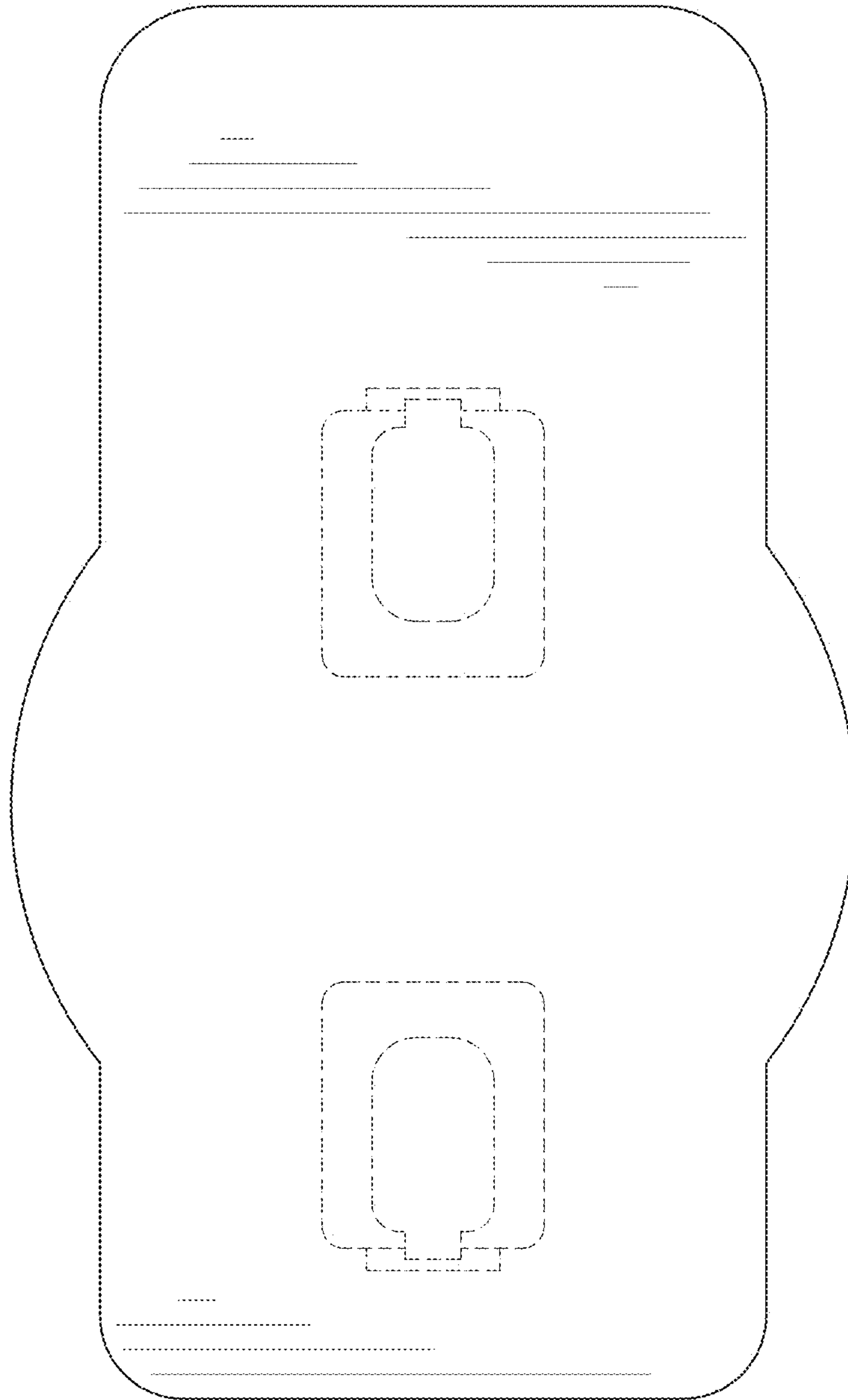


FIG. 8