



US00D881460S

(12) **United States Design Patent**
Han

(10) **Patent No.:** **US D881,460 S**
(45) **Date of Patent:** **** Apr. 14, 2020**

(54) **ELECTRONIC CIGARETTE ASSEMBLY**

DESCRIPTION

- (71) Applicant: **SHENZHEN SMOORE TECHNOLOGY LIMITED**, Shenzhen, Guangdong (CN)
- (72) Inventor: **Jiyun Han**, Guangdong (CN)
- (73) Assignee: **SHENZHEN SMOORE TECHNOLOGY LIMITED**, Shenzhen (CN)
- (**) Term: **15 Years**
- (21) Appl. No.: **29/668,841**
- (22) Filed: **Nov. 2, 2018**
- (30) **Foreign Application Priority Data**
 - May 4, 2018 (CN) 2018 3 0198680
- (51) **LOC (12) Cl.** **27-02**
- (52) **U.S. Cl.**
 - USPC **D27/162**
- (58) **Field of Classification Search**
 - USPC D27/162, 100, 101, 163-165, 172, 174, D27/175, 183, 185-194; D24/110, 110.5;
 - (Continued)
- (56) **References Cited**
 - U.S. PATENT DOCUMENTS
 - D323,292 S * 1/1992 Jones D9/424
 - D492,445 S * 6/2004 Parcevaux D27/194
 - (Continued)
- Primary Examiner* — Marissa J Cash
Assistant Examiner — Rebecca Tsehaye
- (74) *Attorney, Agent, or Firm* — Ladas & Parry LLP

FIG. 1 is a front elevational view of an electronic cigarette showing my new design as a first component removed from the assembly shown in FIGS. 25-32 for clarity of disclosure; FIG. 2 is a rear elevational view thereof; FIG. 3 is a left side elevational view thereof; FIG. 4 is a right side elevational view thereof; FIG. 5 is a top plan view thereof; FIG. 6 is a bottom plan view thereof; FIG. 7 is a front, right, and bottom perspective view thereof; and FIG. 8 is a rear, left, and top perspective view thereof. FIG. 9 is a front elevational view of an electronic cigarette showing my new design as an alternative first component removed from the assembly shown in FIGS. 25-32 for clarity of disclosure; FIG. 10 is a rear elevational view thereof; FIG. 11 is a left side elevational view thereof; FIG. 12 is a right side elevational view thereof; FIG. 13 is a top plan view thereof; FIG. 14 is a bottom plan view thereof; FIG. 15 is a front, right, and bottom perspective view thereof; and FIG. 16 is a rear, left, and top perspective view thereof. FIG. 17 is a front elevational view of an electronic cigarette showing my new design as a second component removed from the assembly shown in FIGS. 25-32 for clarity of disclosure; FIG. 18 is a rear elevational view thereof; FIG. 19 is a left side elevational view thereof; FIG. 20 is a right side elevational view thereof; FIG. 21 is a top plan view thereof; FIG. 22 is a bottom plan view thereof; FIG. 23 is a front, right, and top perspective view thereof; and FIG. 24 is a rear, left, and bottom perspective view thereof. FIG. 25 is a front elevational view of the electronic cigarette showing my new design where the first component as shown in FIGS. 1-9 and the second component are shown assembled state of use; FIG. 26 is a rear elevational view thereof; FIG. 27 is a left side elevational view thereof; FIG. 28 is a right side elevational view thereof;

(Continued)

(57) **CLAIM**

The ornamental design for an electronic cigarette assembly, as shown and described.

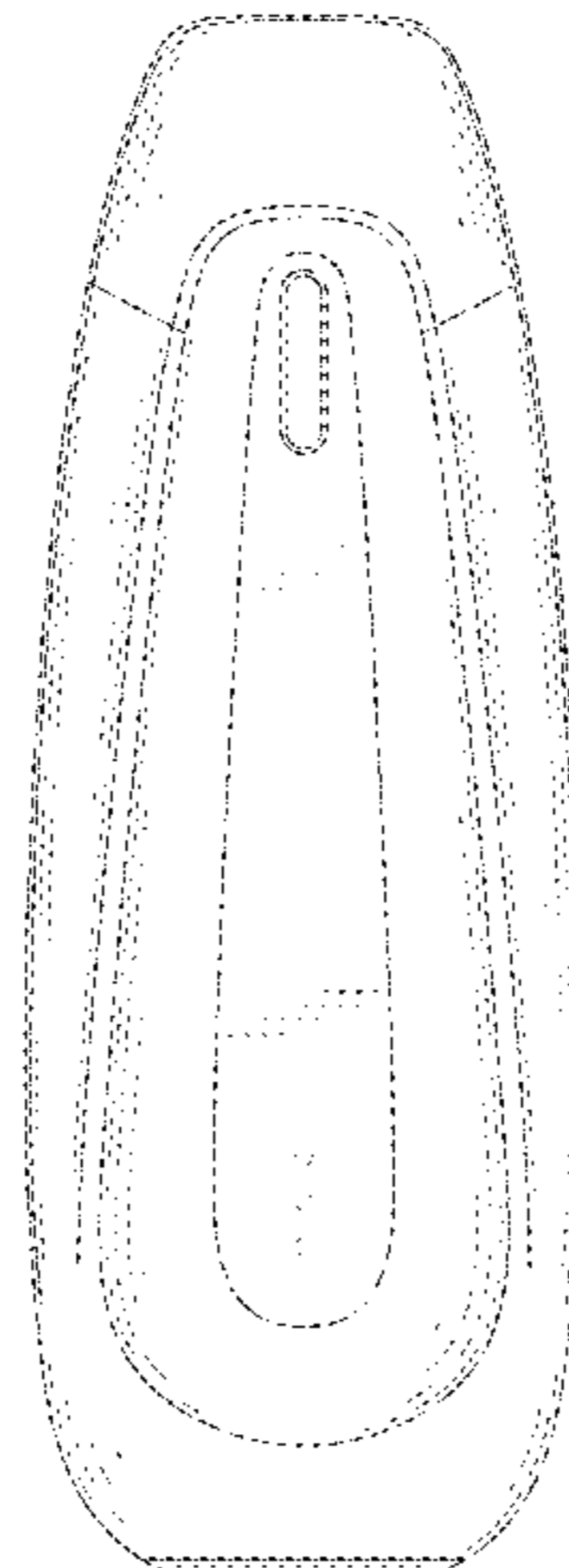


FIG. 29 is a top plan view thereof;
 FIG. 30 is a bottom plan view thereof;
 FIG. 31 is a front, right, and top perspective view thereof;
 and,
 FIG. 32 is a rear, left, and bottom perspective view thereof.
 The broken lines in the figures are included for the purpose
 of illustrating portions of the article which form no part of
 the claimed design.

1 Claim, 32 Drawing Sheets

(58) **Field of Classification Search**

USPC 128/202.21, 203.12; 131/273, 274, 270,
 131/191, 328, 329, 330, 360–365
 CPC A24F 47/002; A24F 47/006; A24F 47/008;
 A61M 15/00; A61M 15/06

See application file for complete search history.

(56)

References Cited

U.S. PATENT DOCUMENTS

D514,222	S	*	1/2006	Anderson	D24/110
D525,871	S	*	8/2006	Zeh	D9/521
D613,395	S	*	4/2010	Nakao	D24/110
D646,574	S	*	10/2011	Bore	D9/529
D661,795	S	*	6/2012	Clarke	D24/110
D664,636	S	*	7/2012	Robinson	D23/360
D689,999	S	*	9/2013	Viala	D23/366
D737,419	S	*	8/2015	Emarlou	D23/360
D763,502	S	*	8/2016	Verleur	D27/167
D809,648	S	*	2/2018	Ohrt	D24/110
D820,514	S	*	6/2018	Durand	D27/162
D820,515	S	*	6/2018	Nettenstrom	D27/167
D846,796	S	*	4/2019	Pan	D27/101
D850,710	S	*	6/2019	Wu	D27/101
D852,408	S	*	6/2019	Nettenstrom	D27/101
D853,632	S	*	7/2019	Qiu	D27/101

* cited by examiner

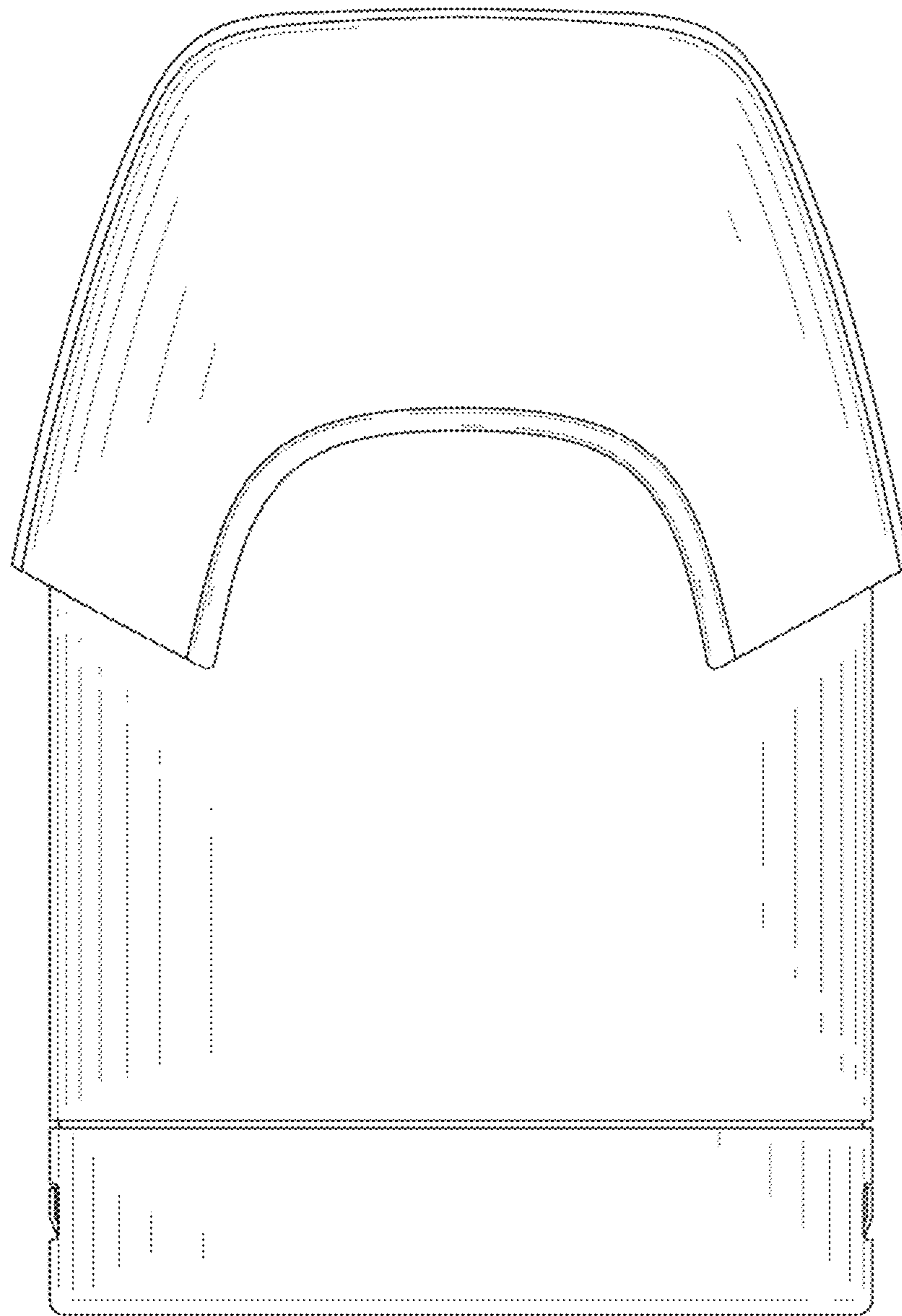


FIG. 1

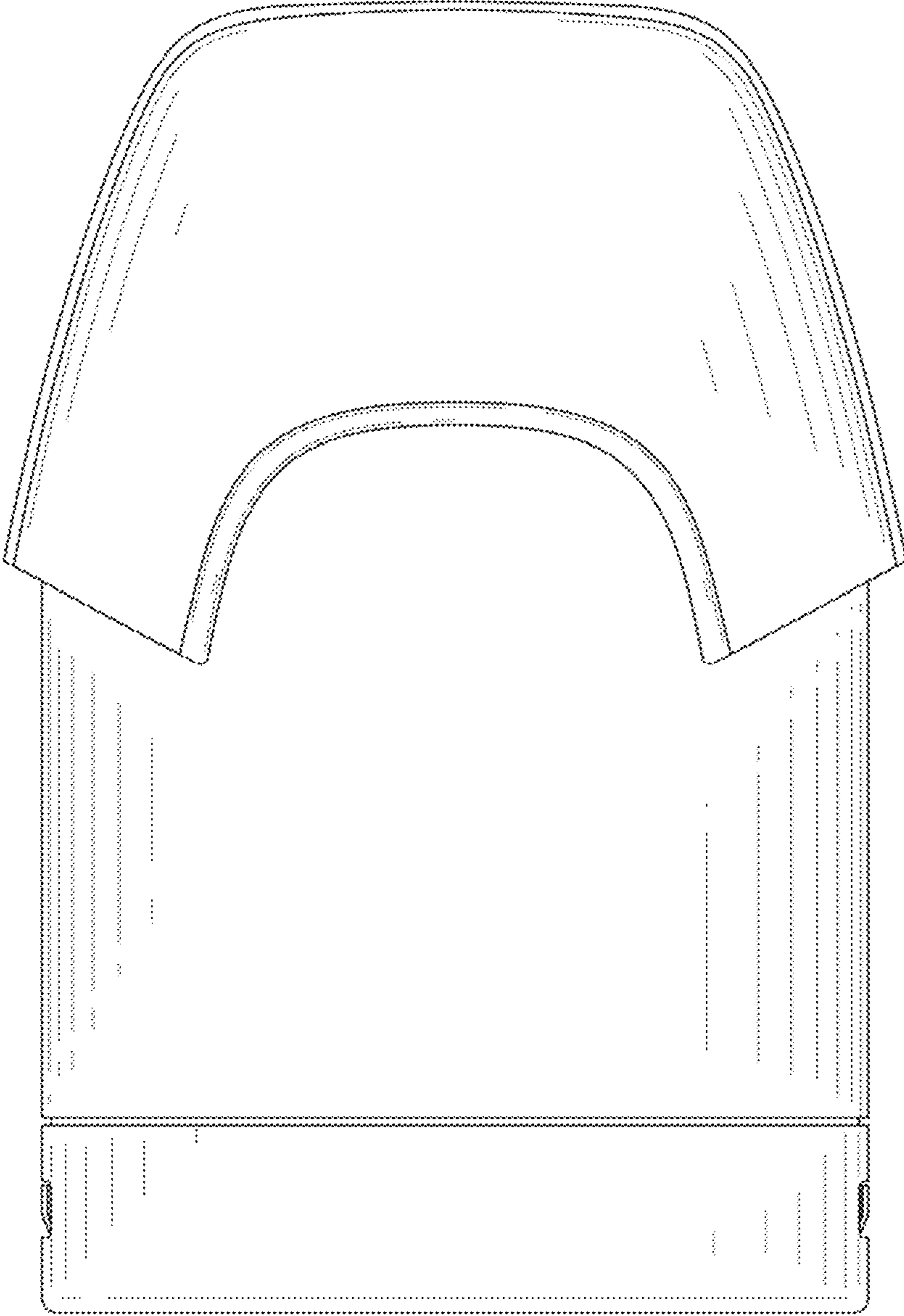


FIG. 2

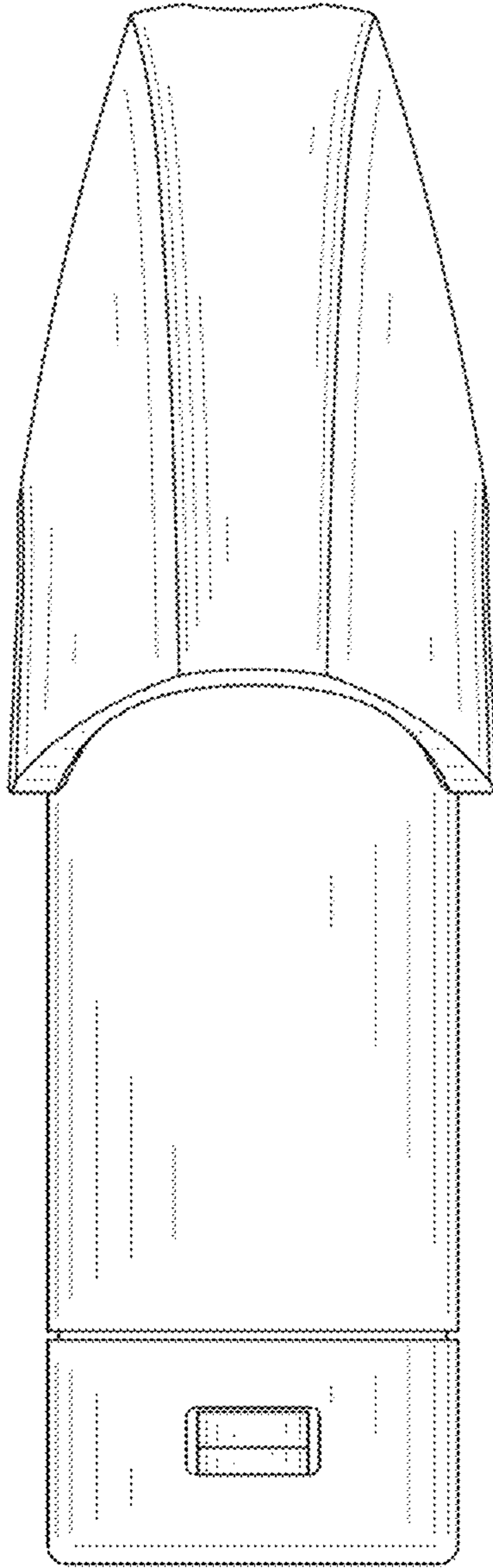


FIG. 3

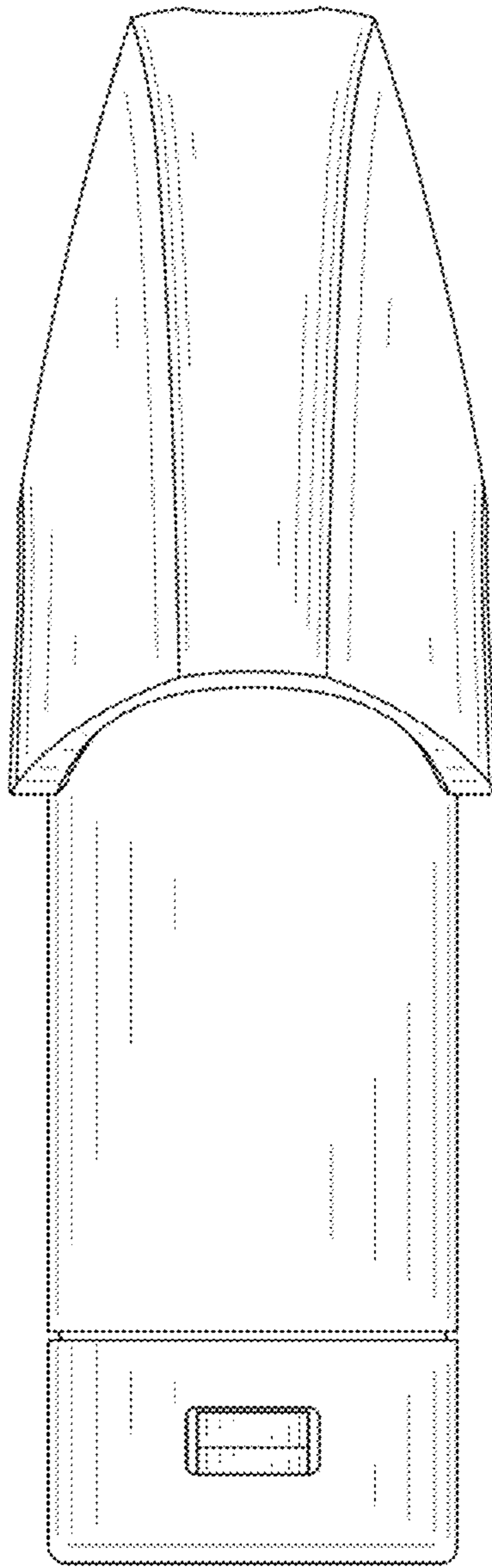


FIG. 4

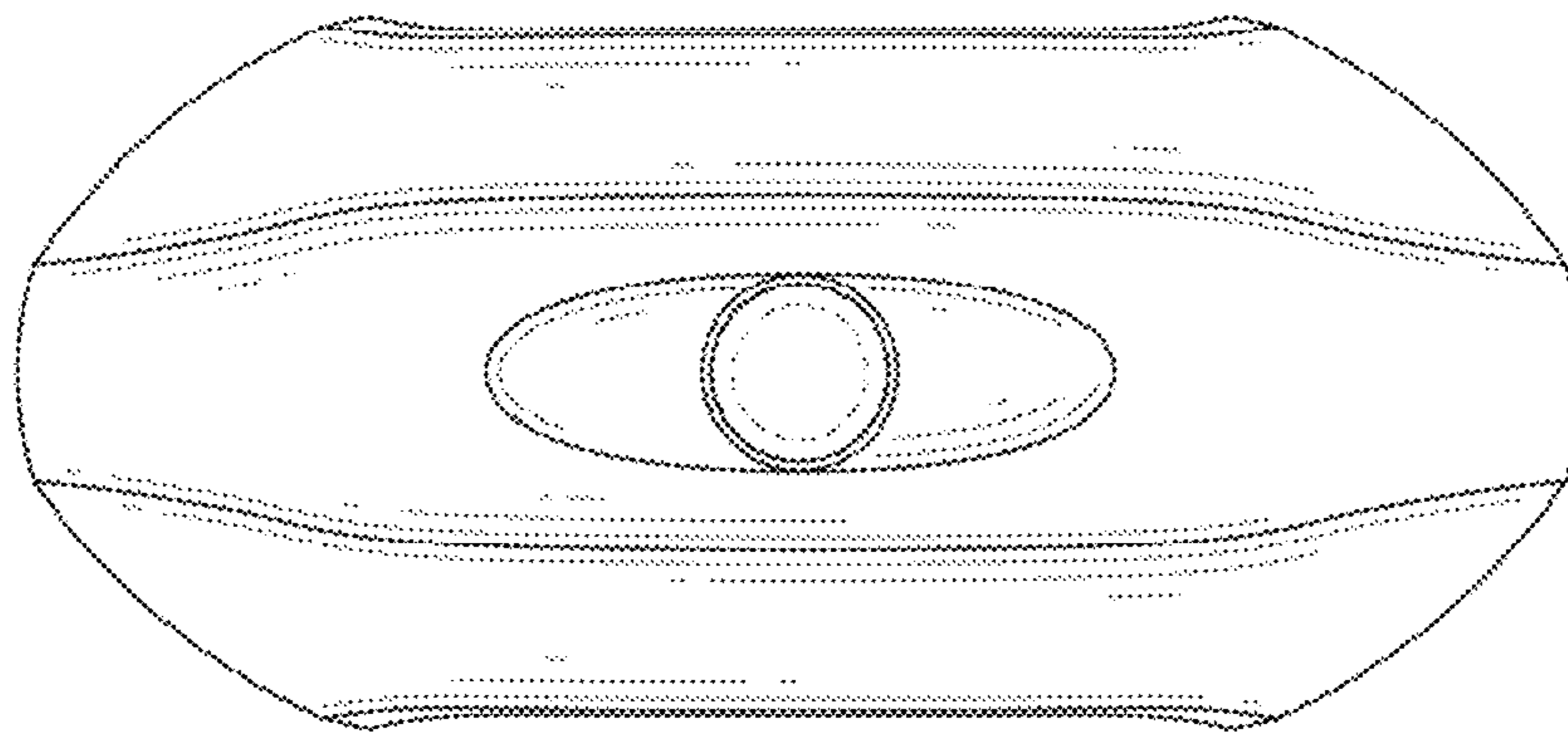


FIG. 5

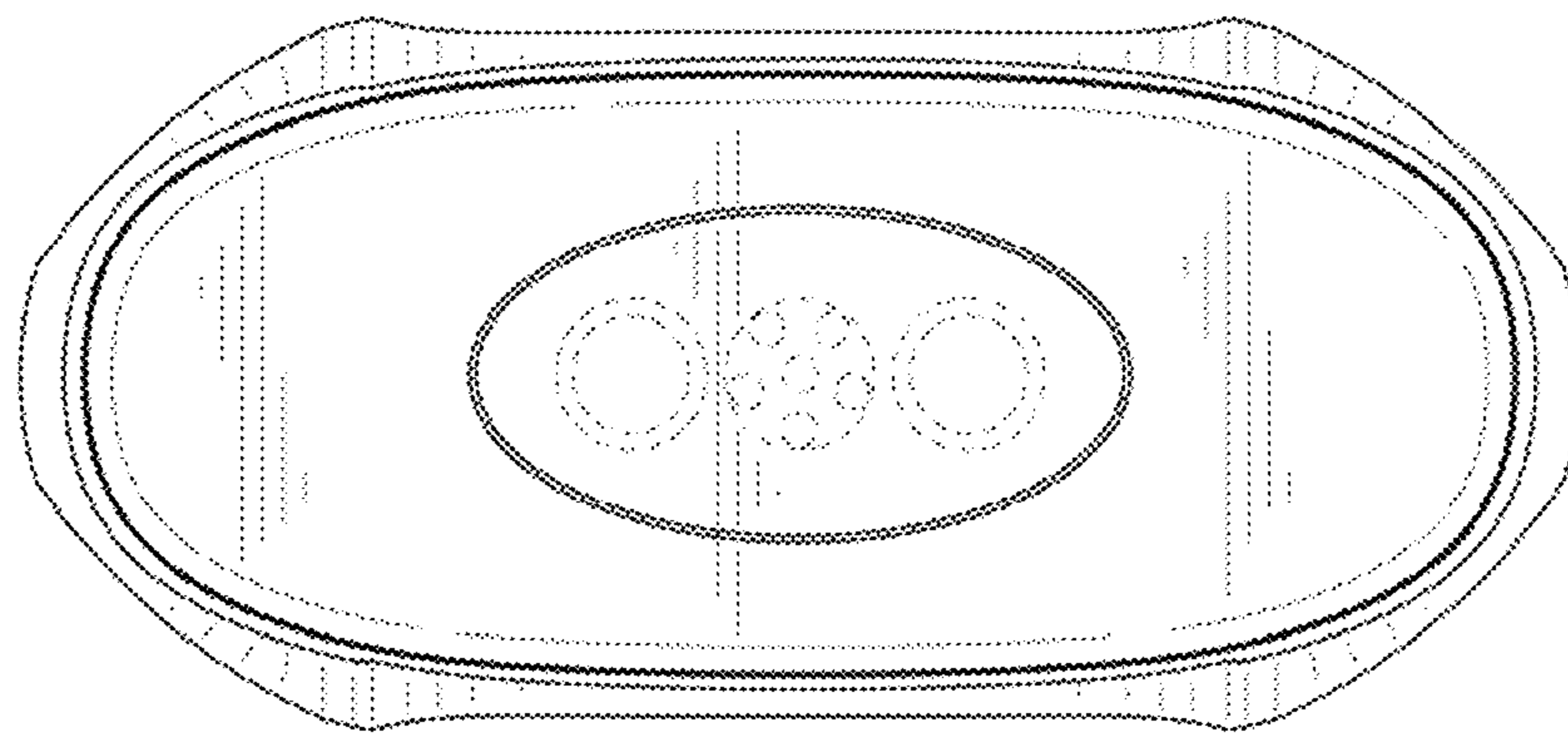


FIG. 6

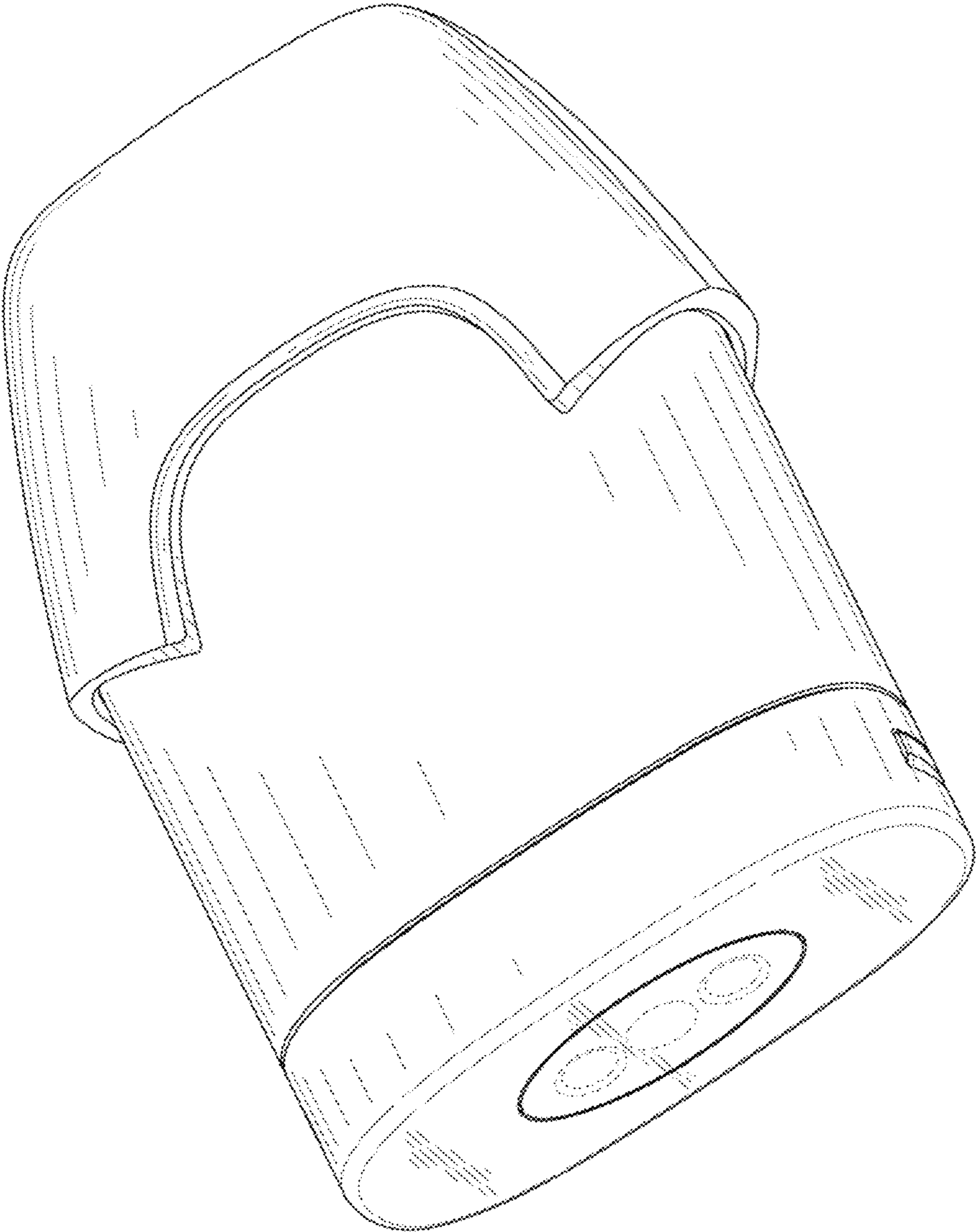


FIG. 7

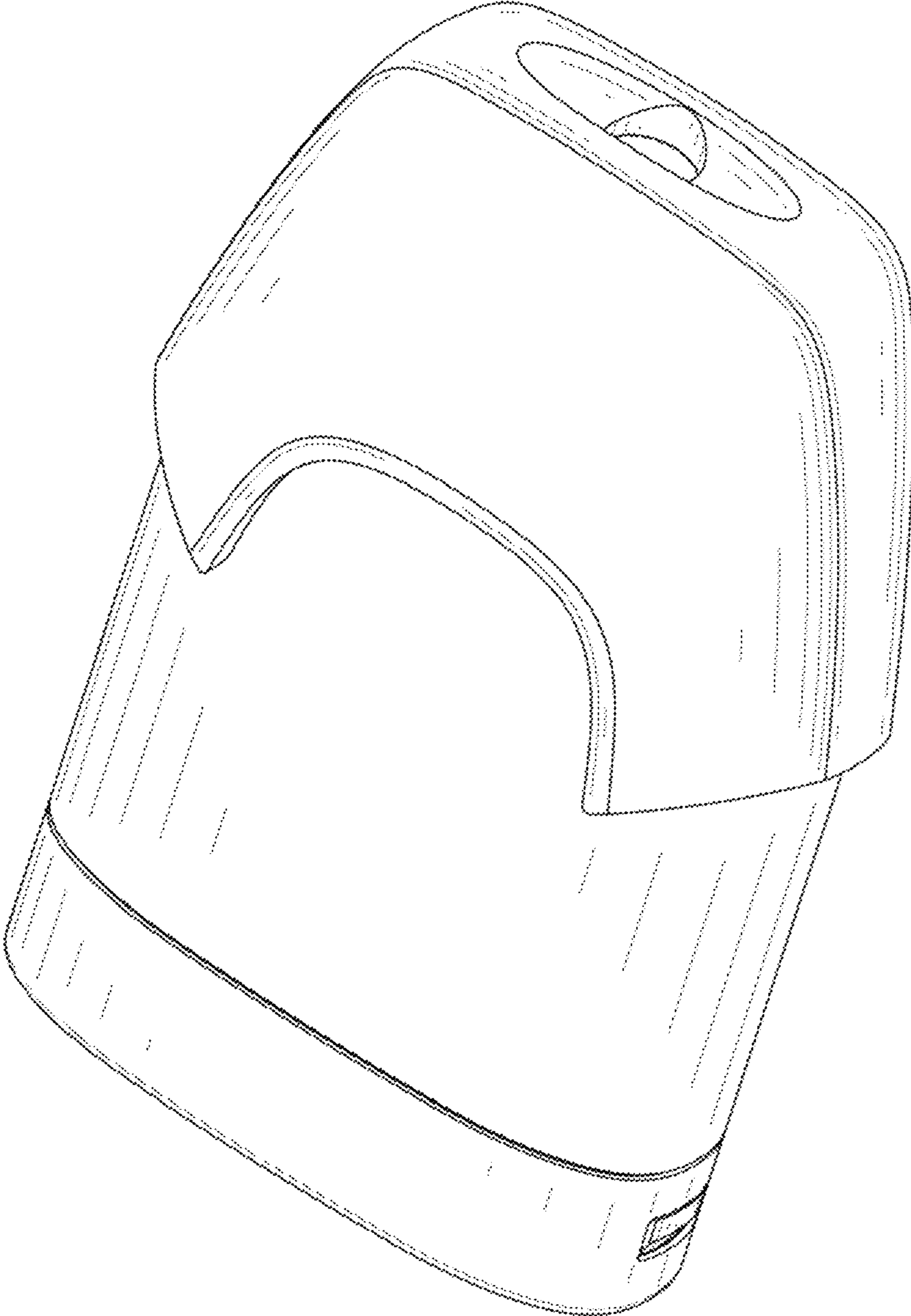


FIG. 8

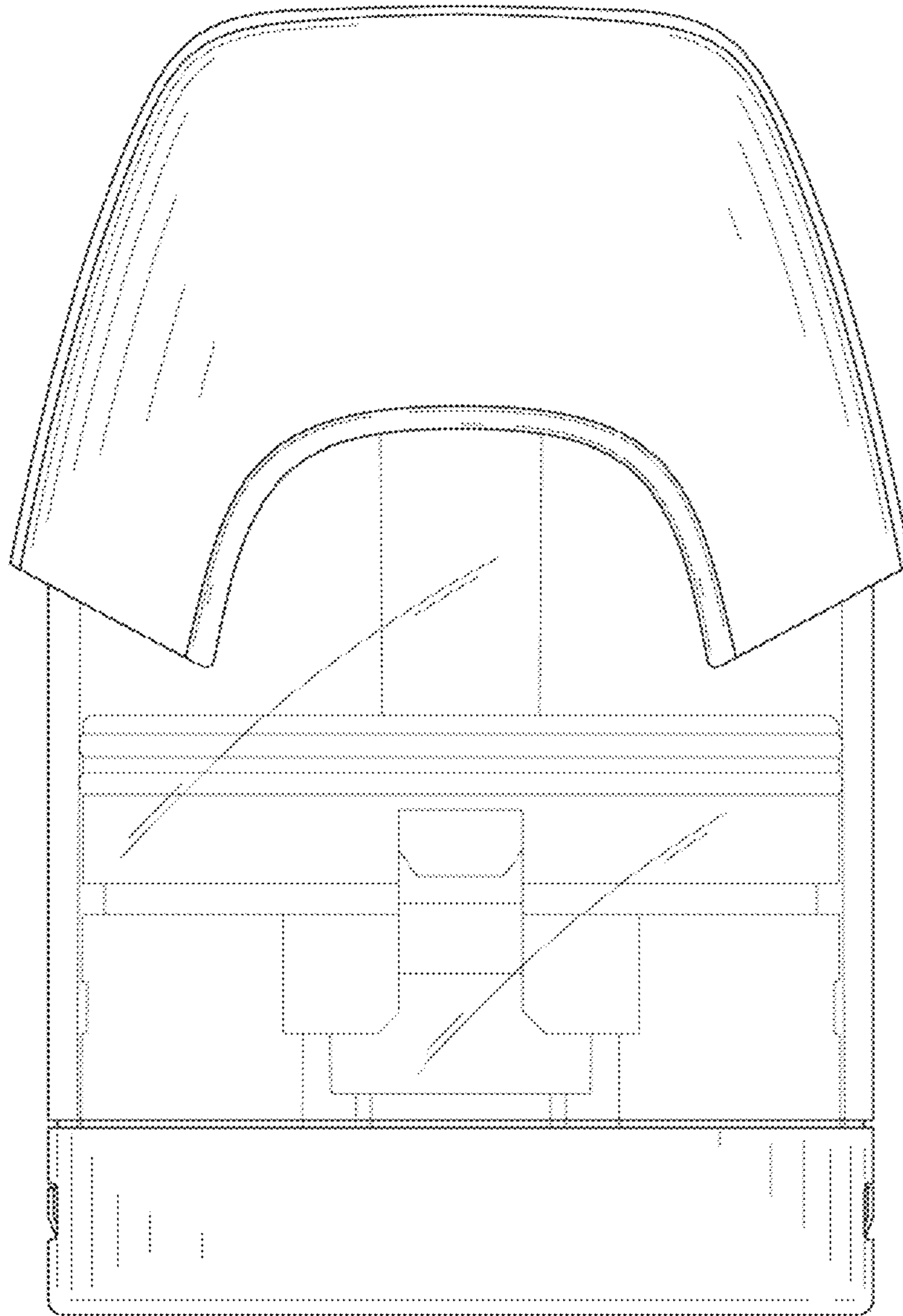


FIG. 9

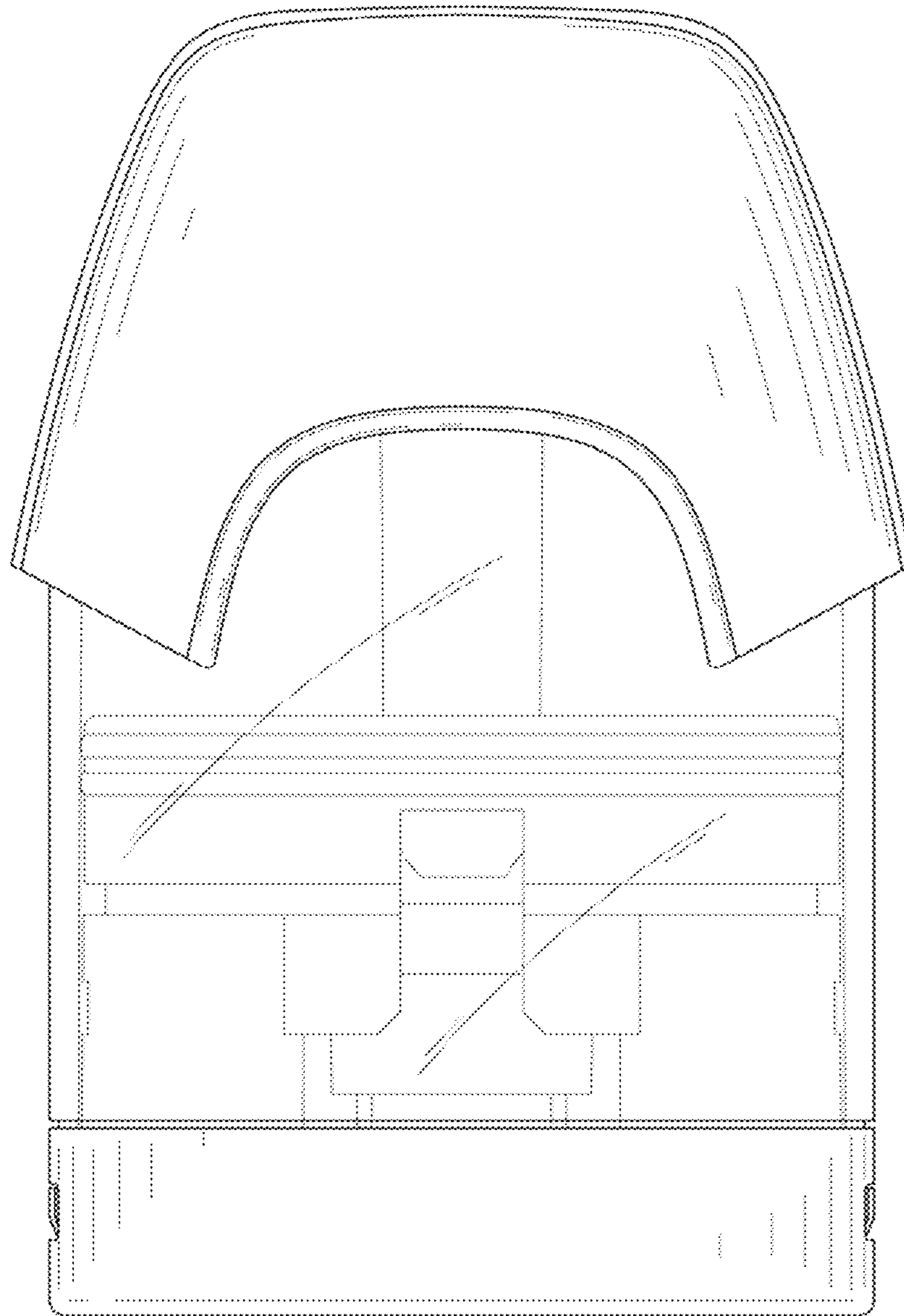


FIG. 10

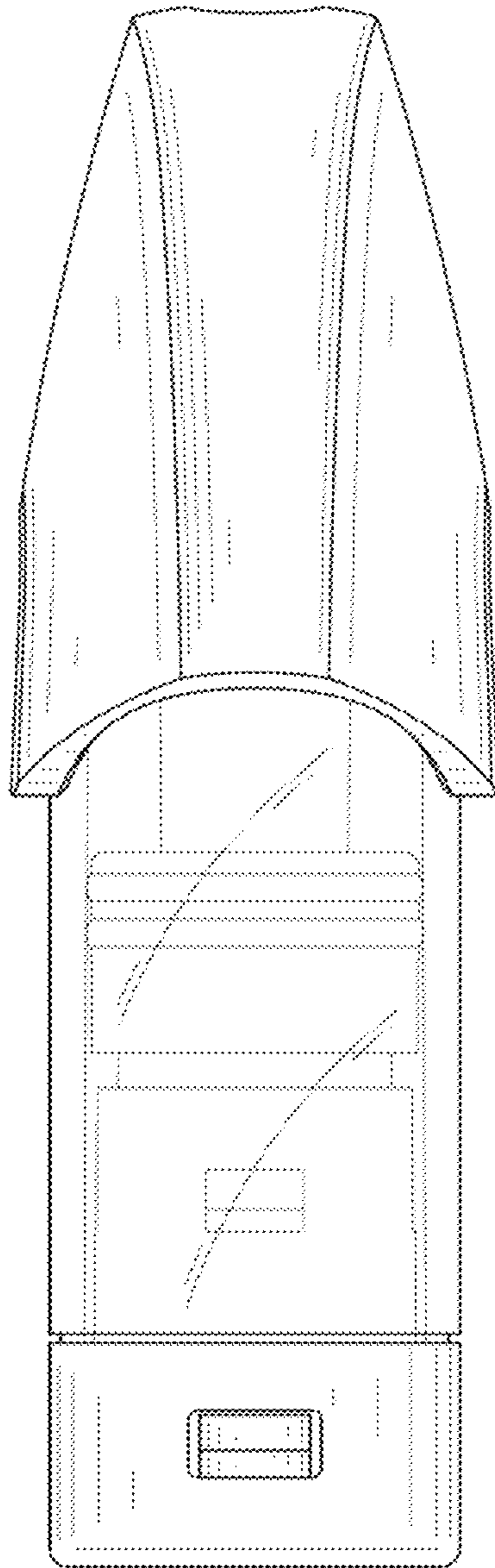


FIG. 11

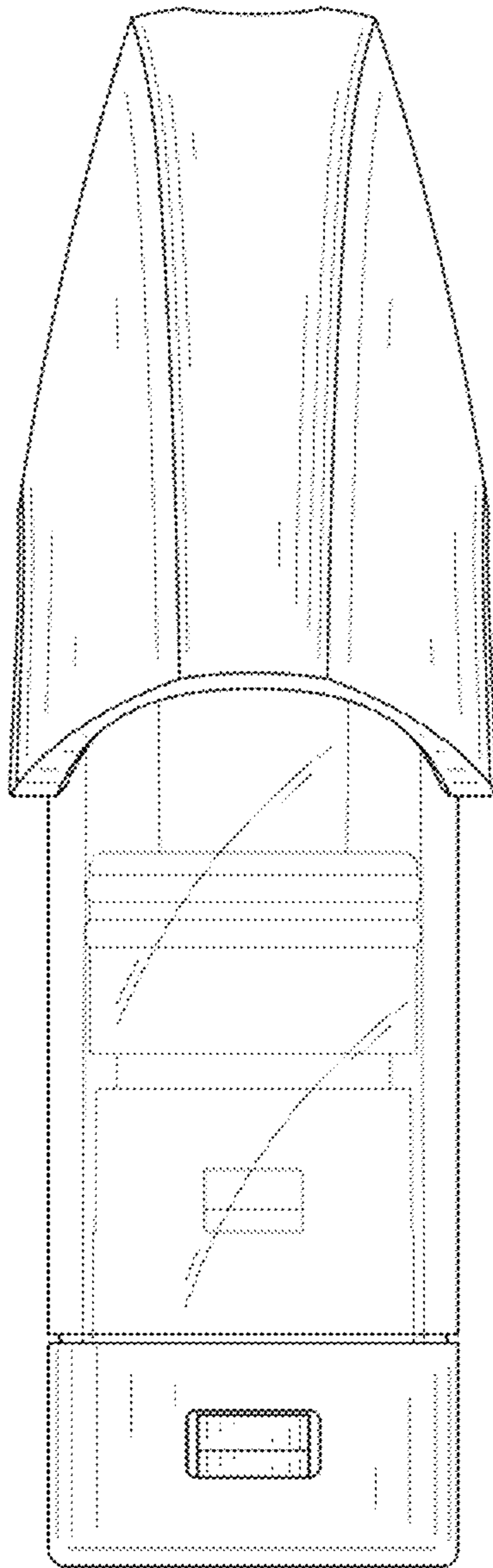


FIG. 12

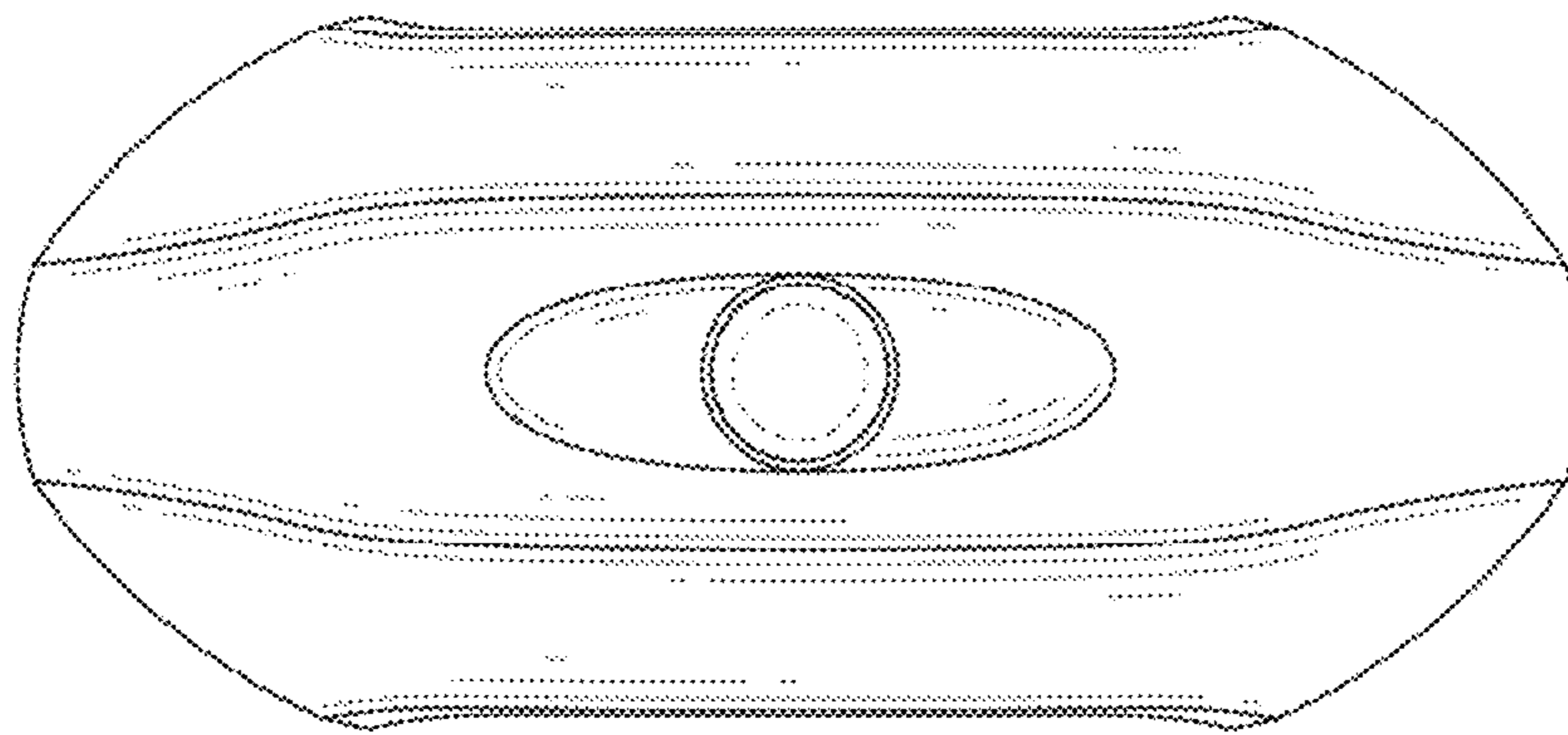


FIG. 13

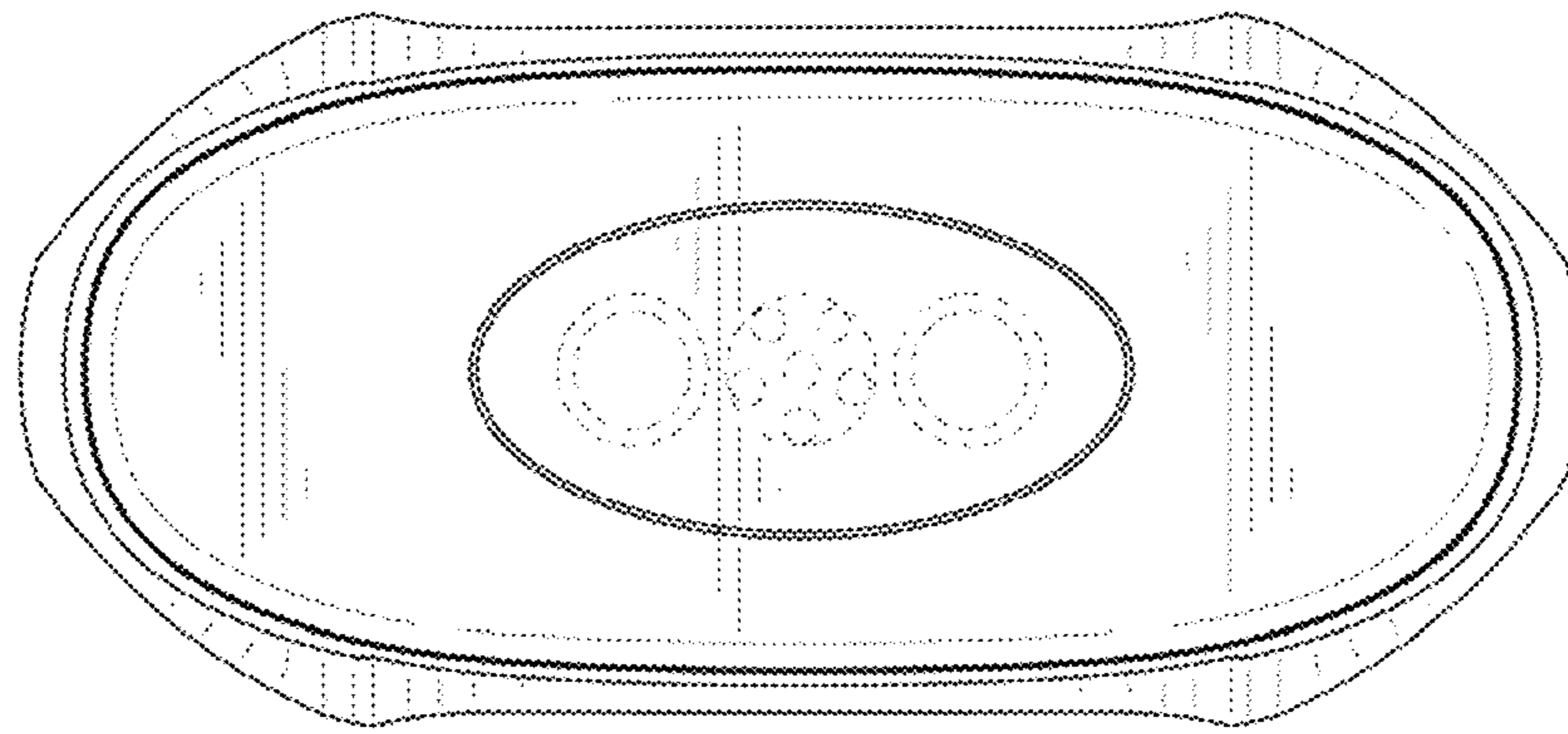


FIG. 14

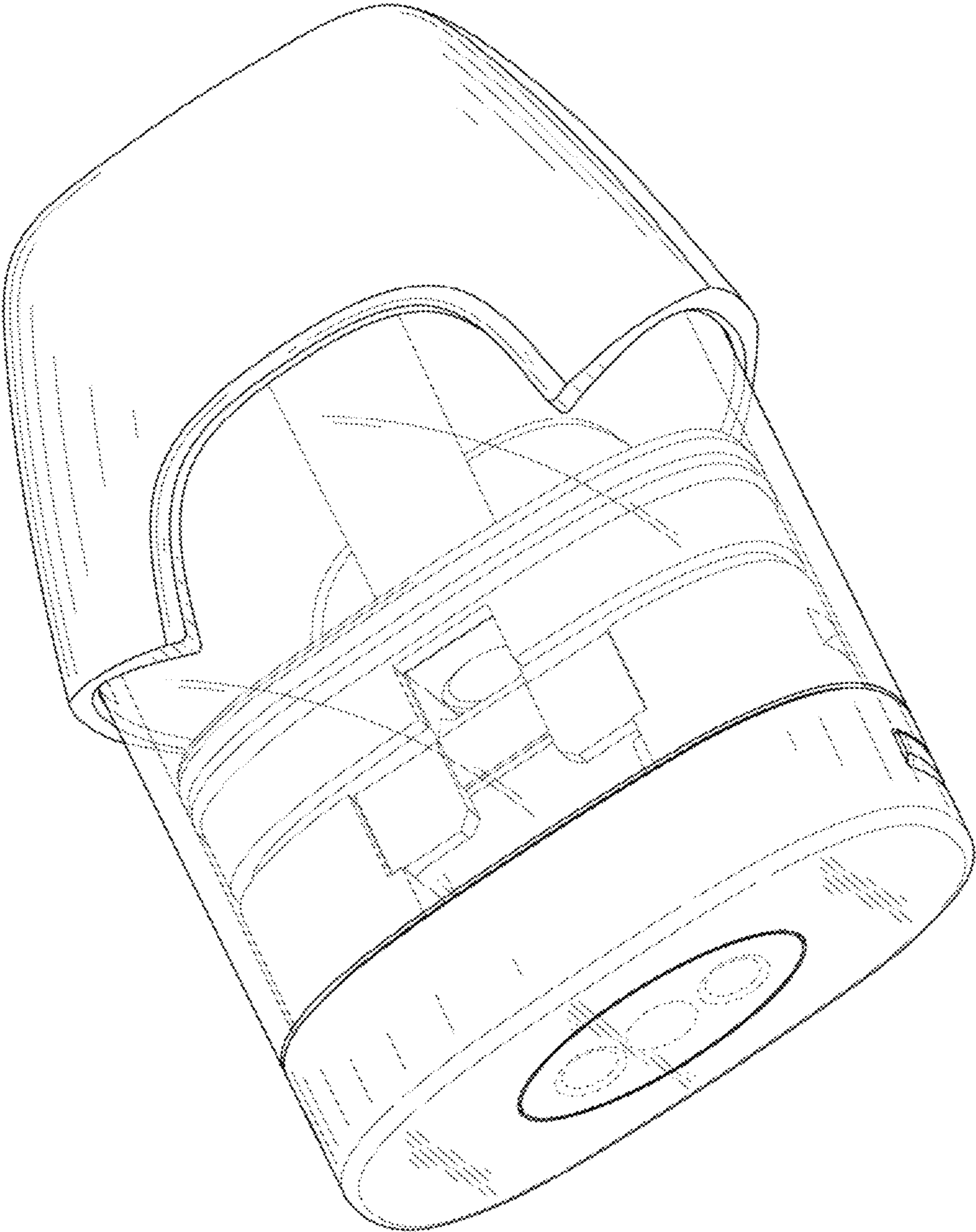


FIG. 15

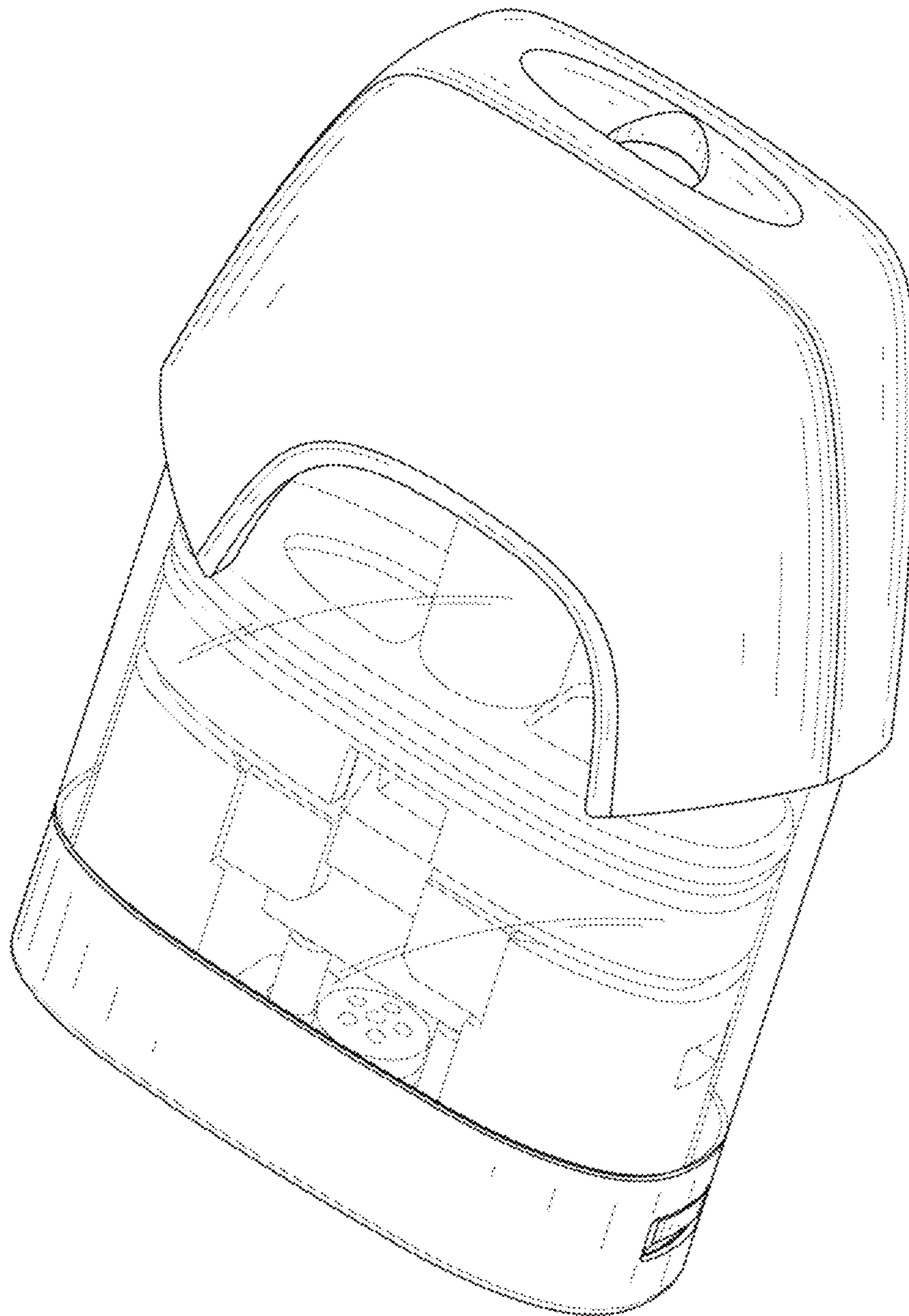


FIG. 16

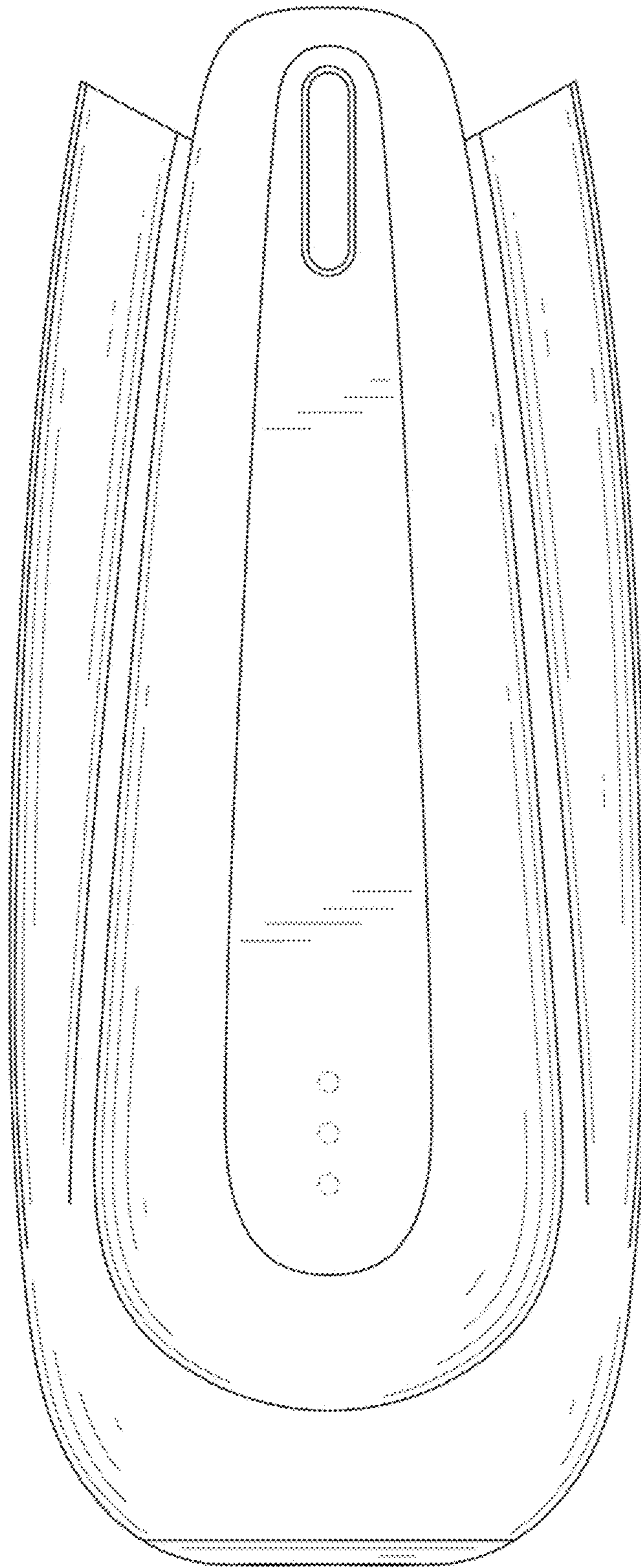


FIG. 17

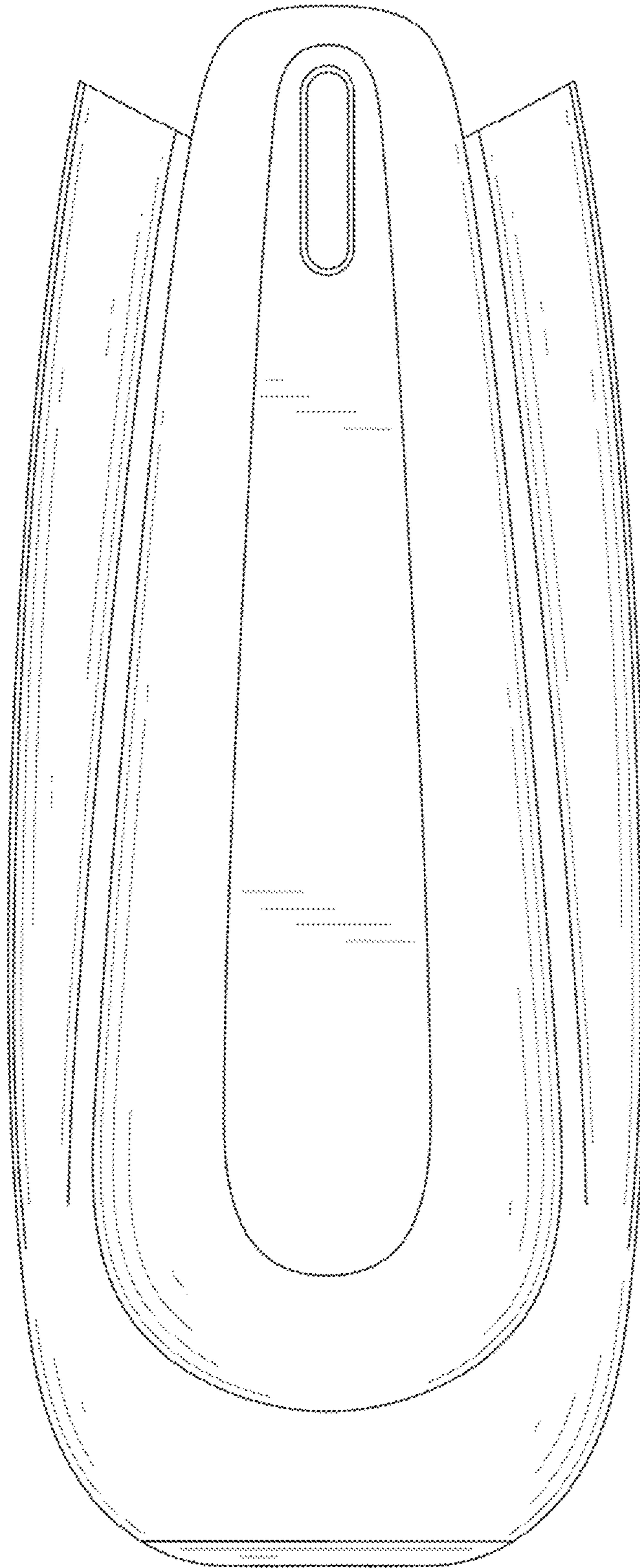


FIG. 18

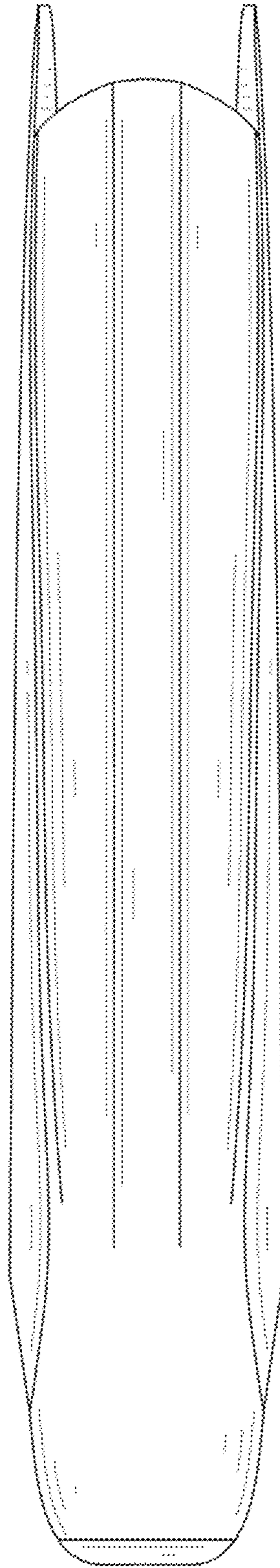


FIG. 19

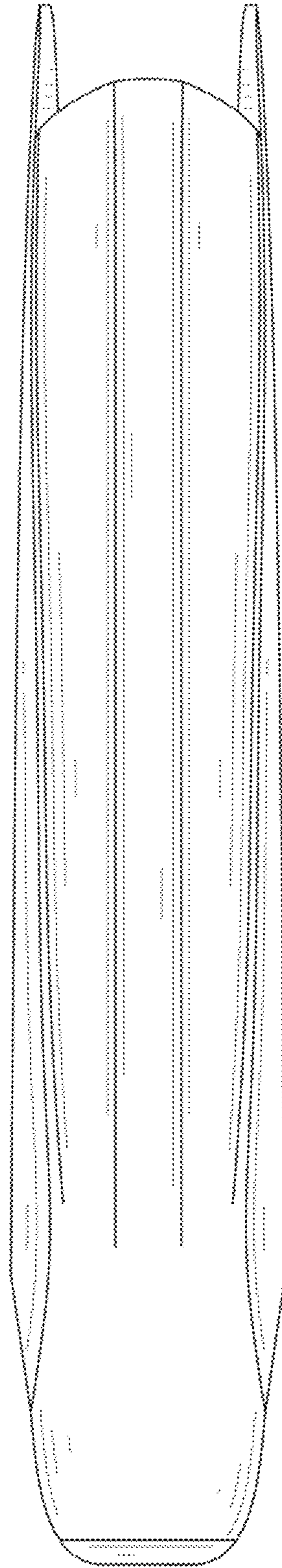


FIG. 20

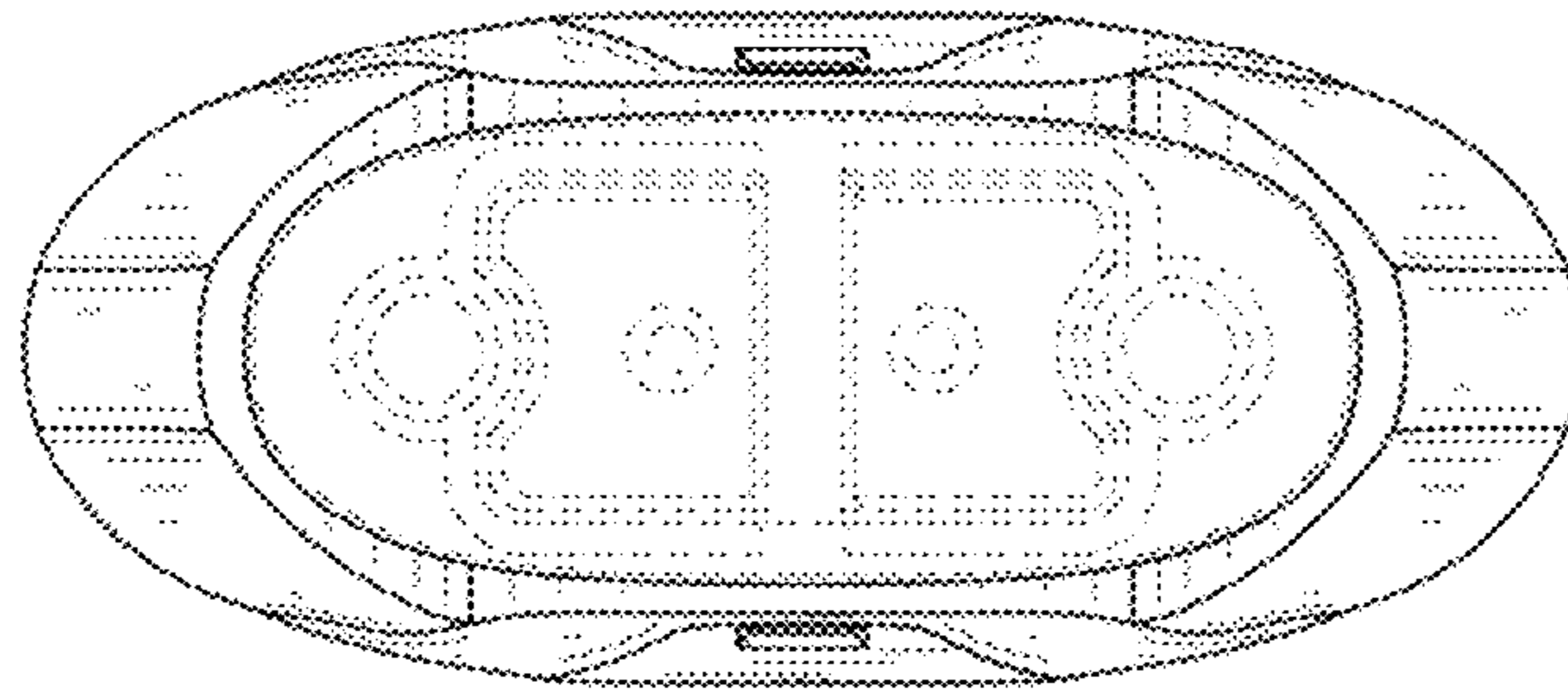


FIG. 21

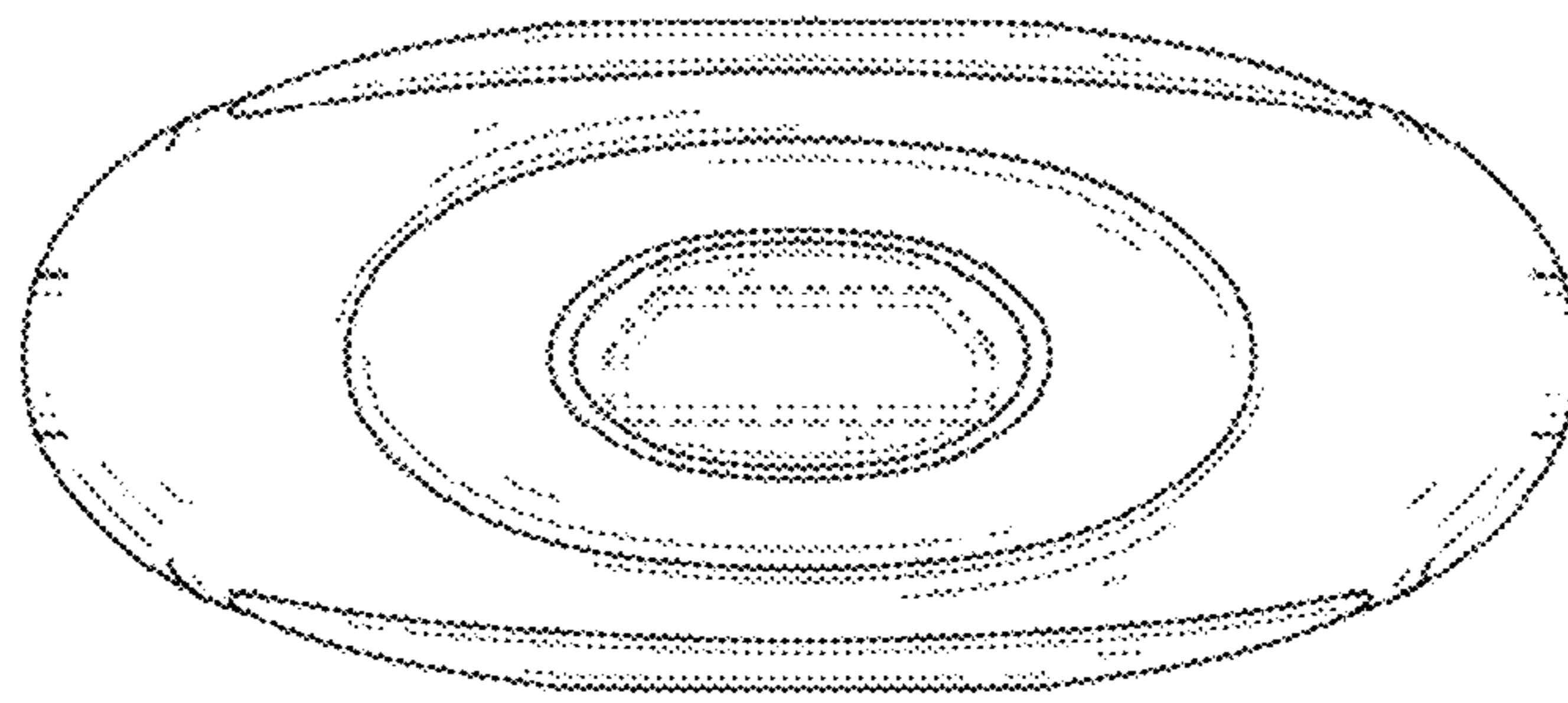


FIG. 22

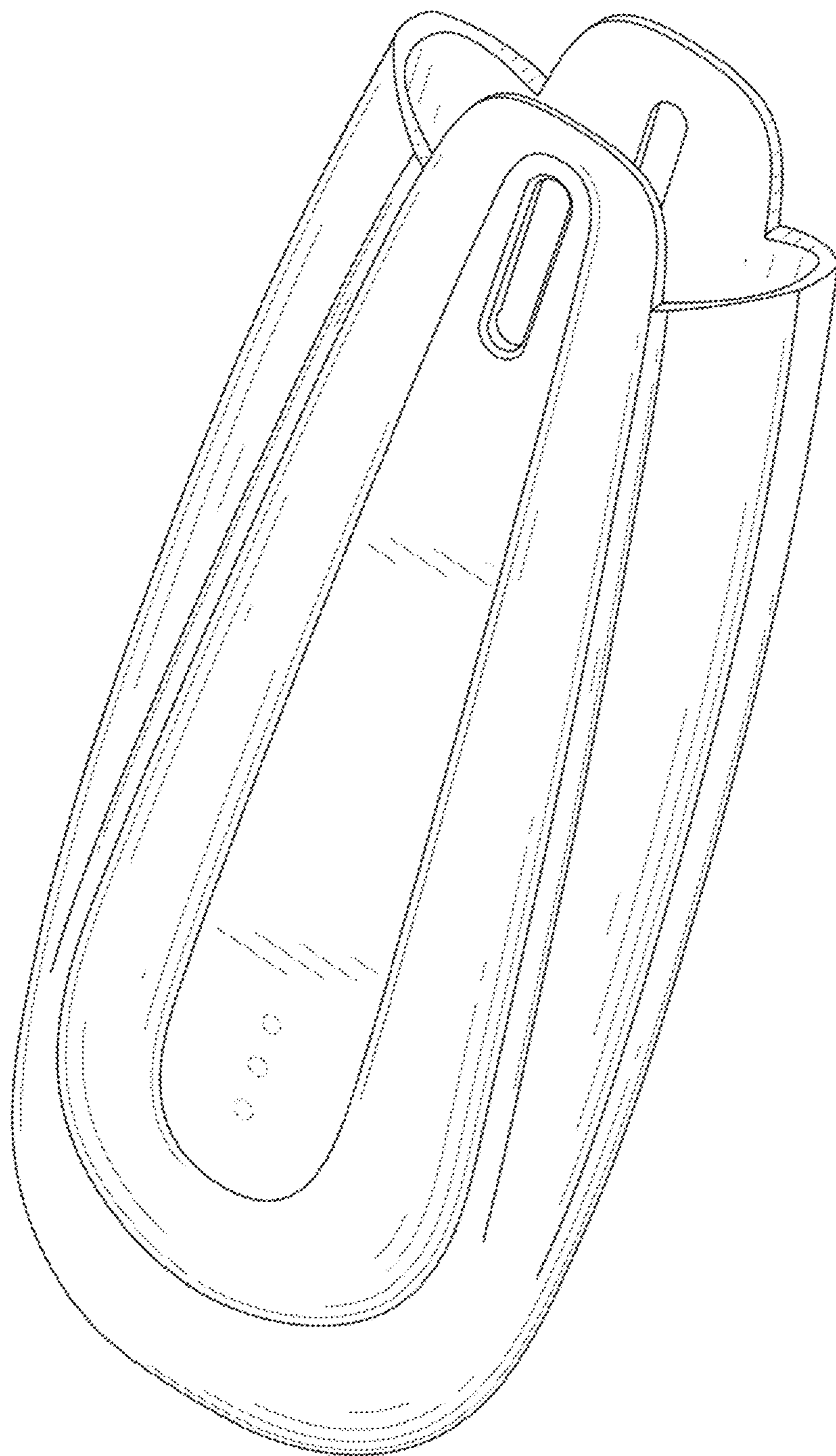


FIG. 23

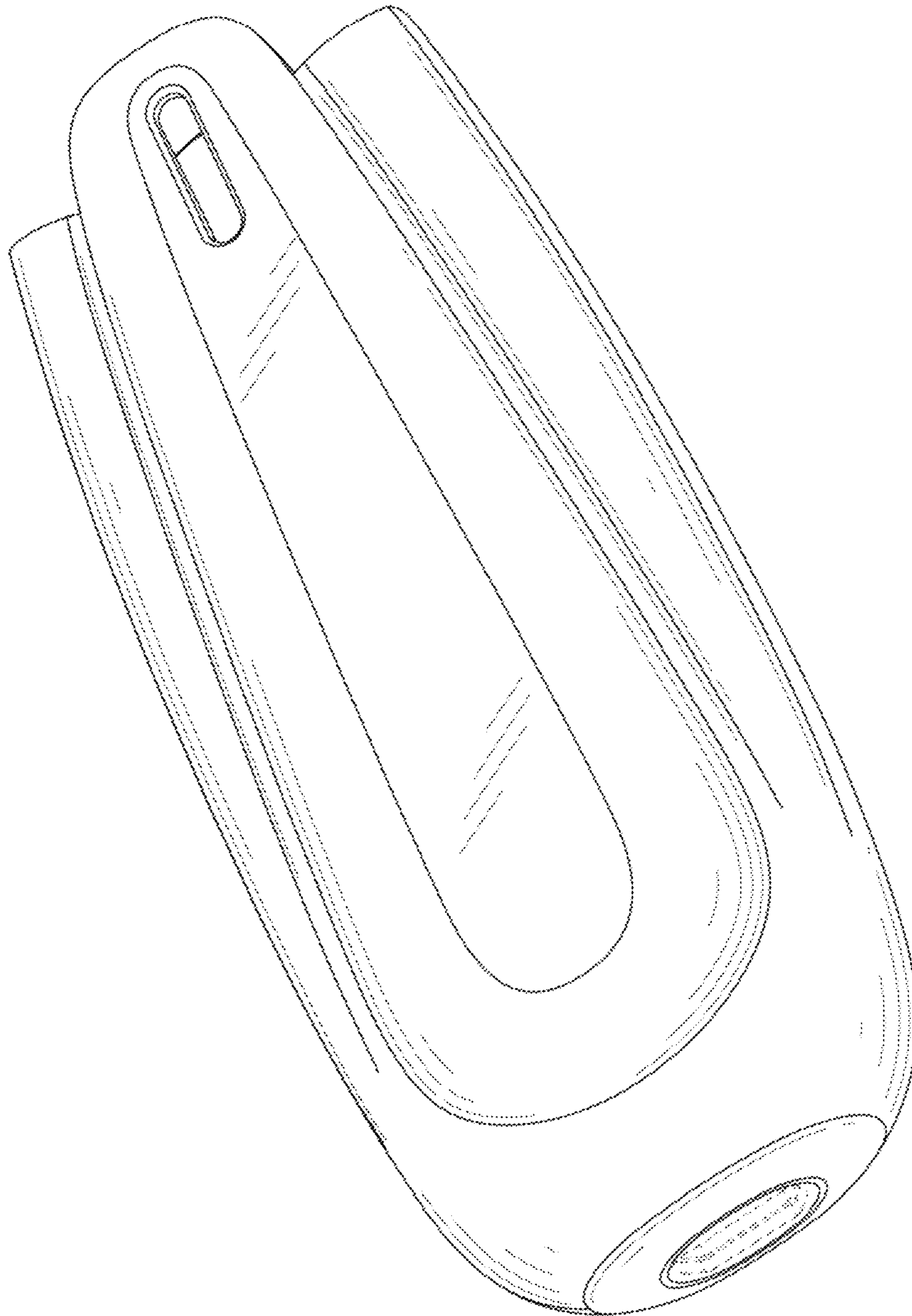


FIG. 24

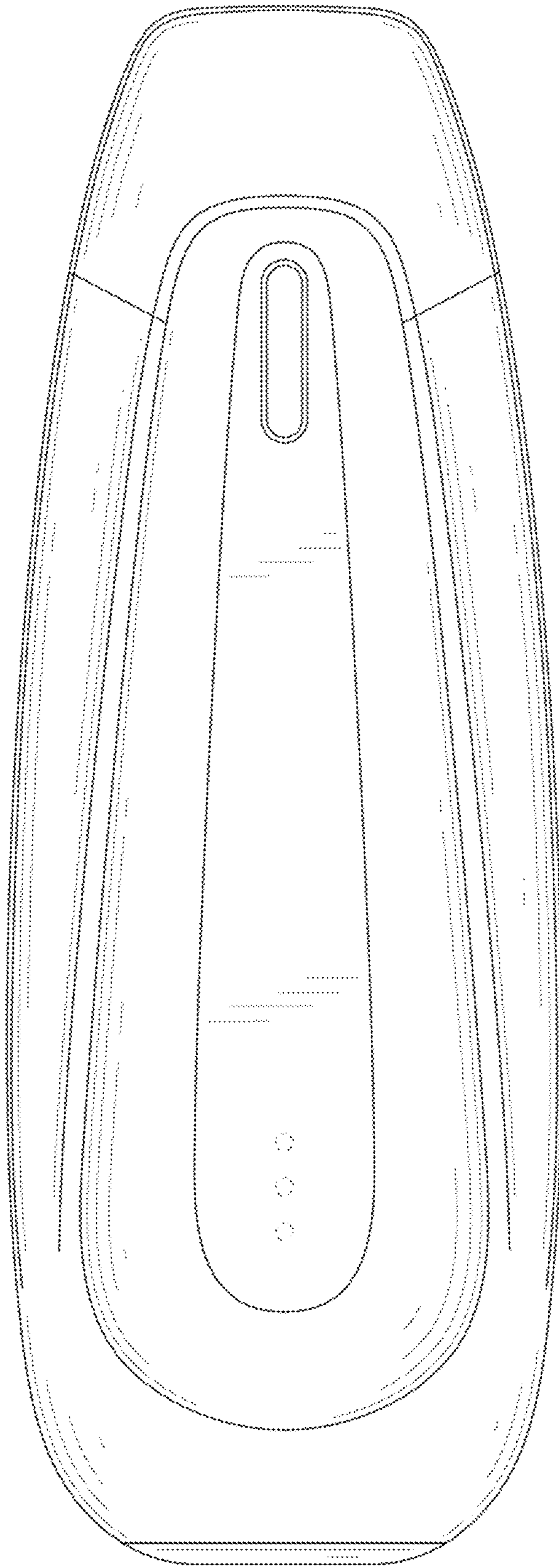


FIG. 25

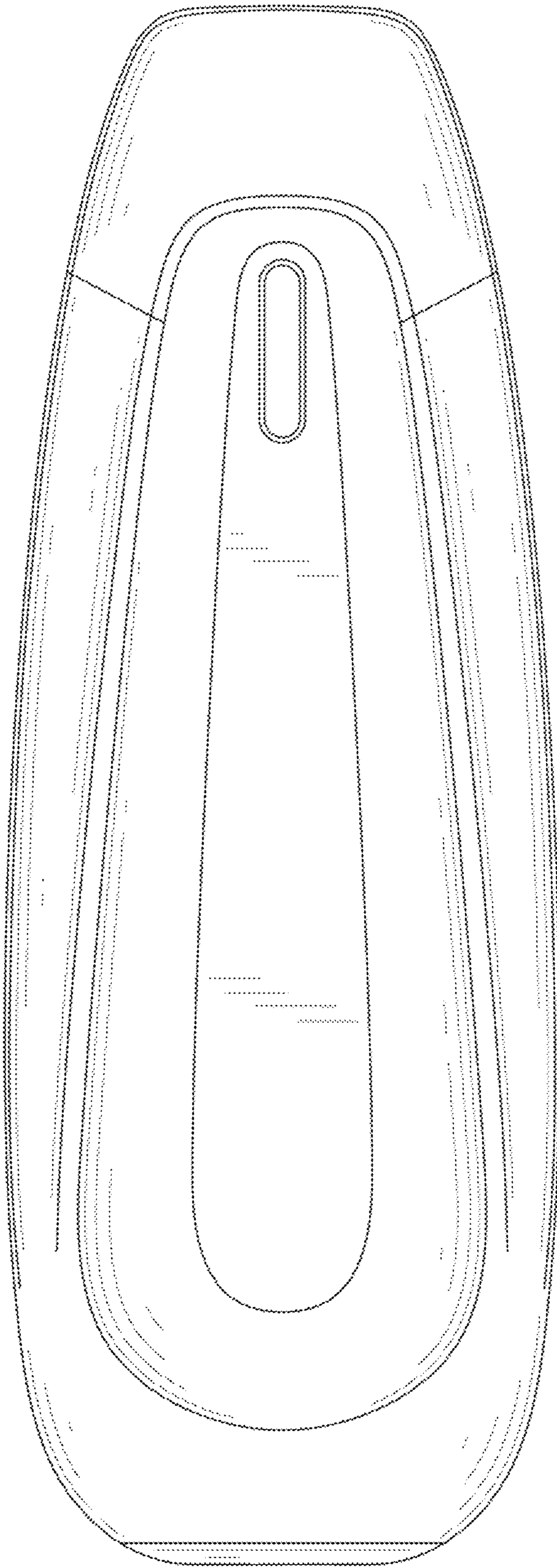


FIG. 26

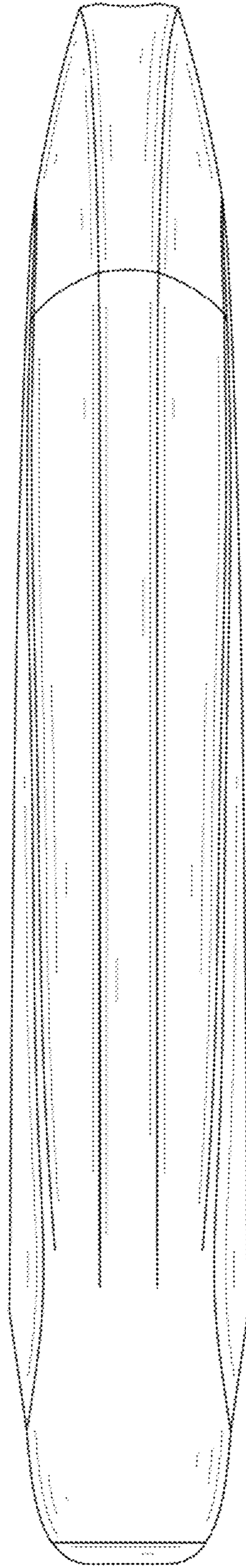


FIG. 27

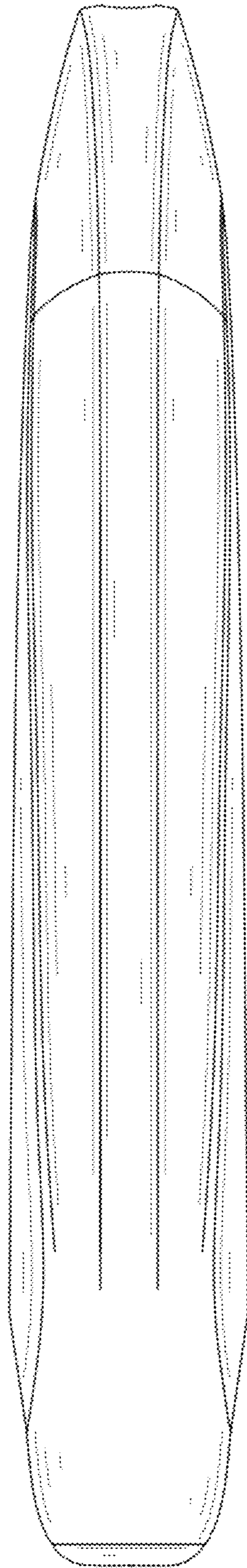


FIG. 28

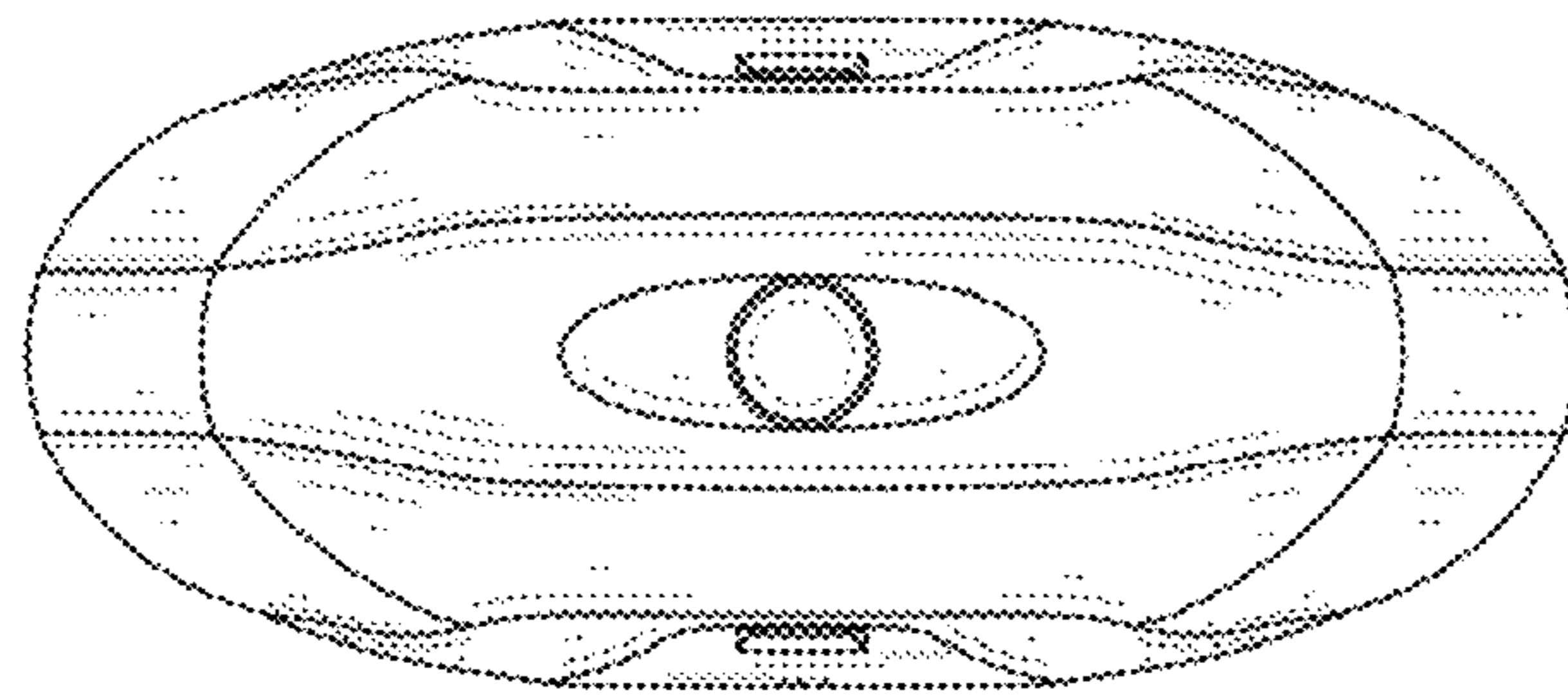


FIG. 29

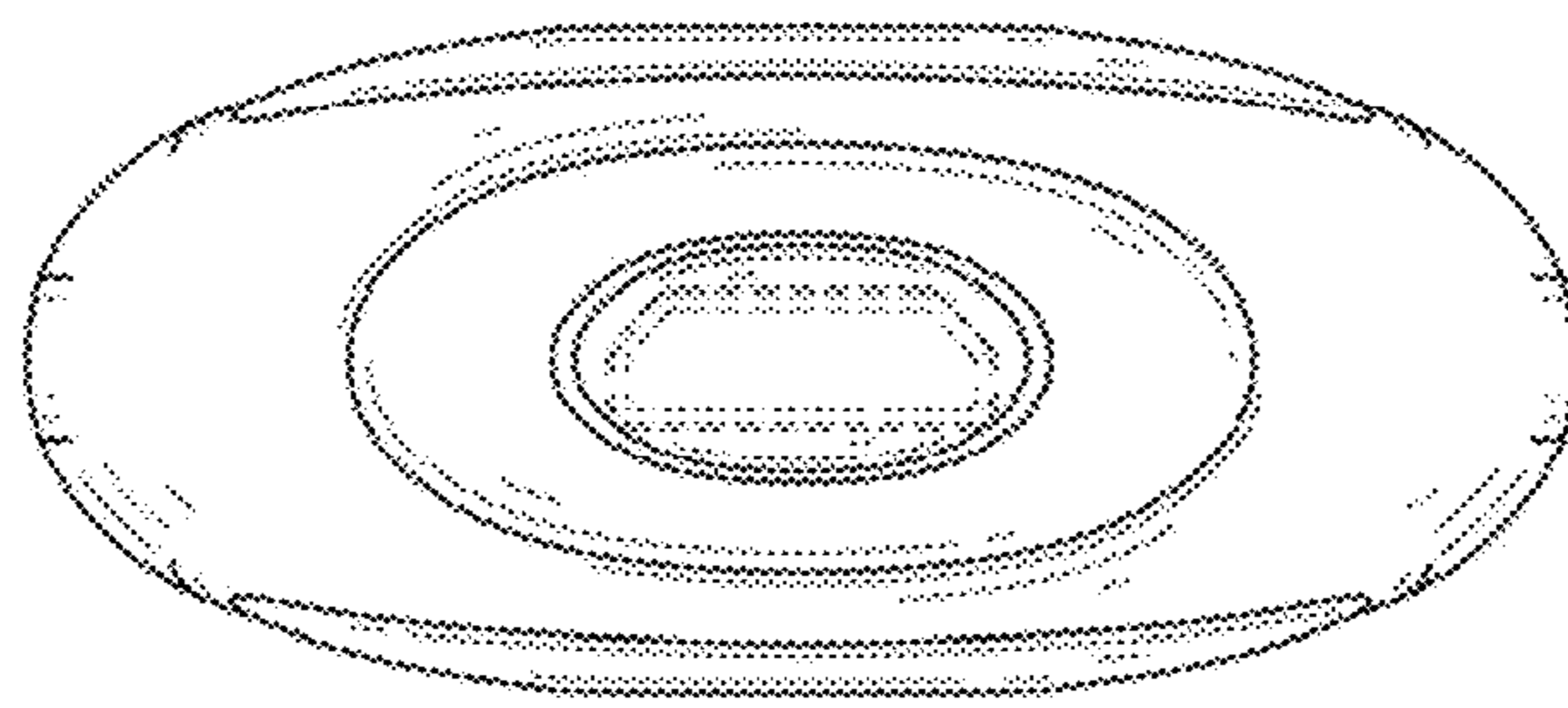


FIG. 30

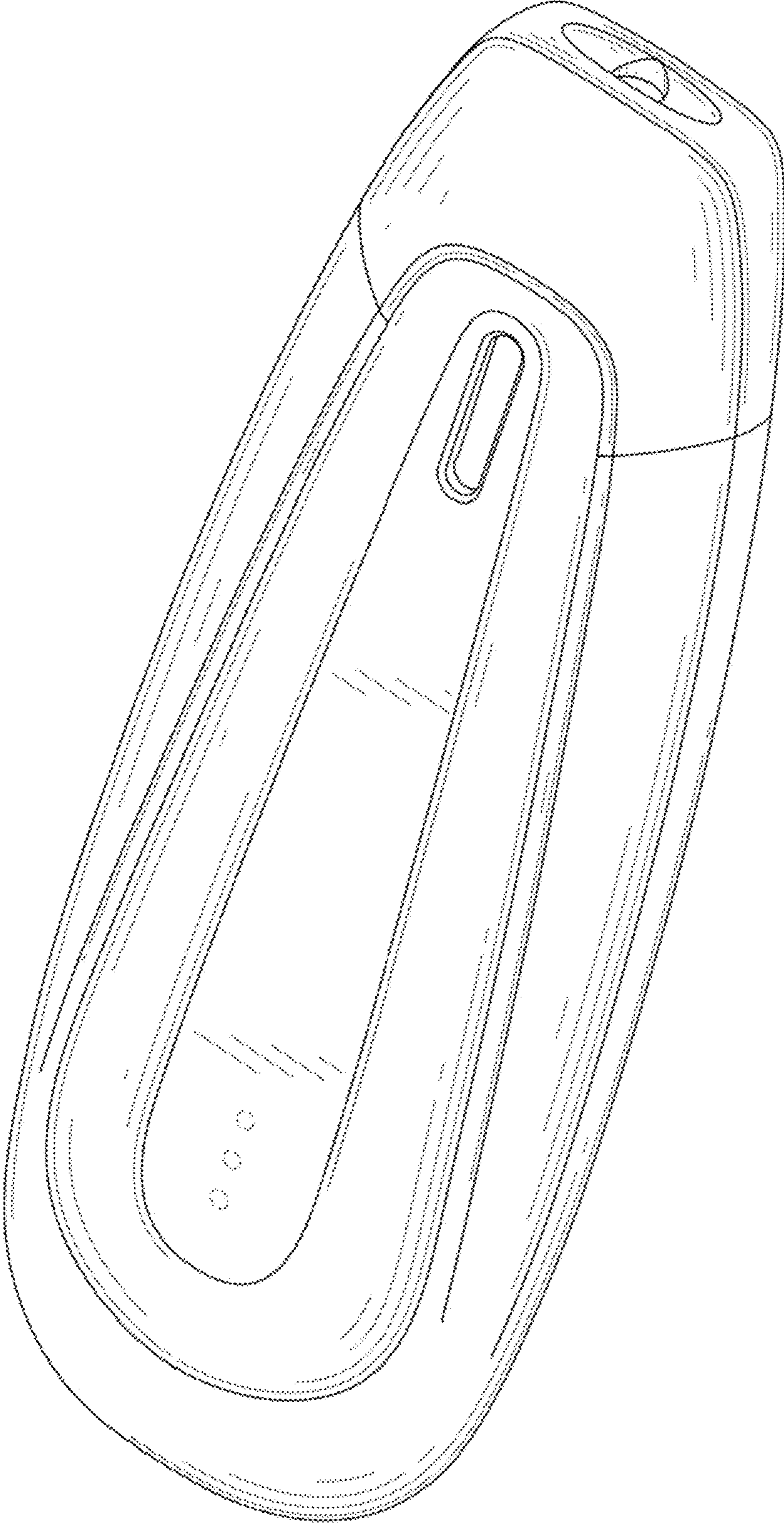


FIG. 31

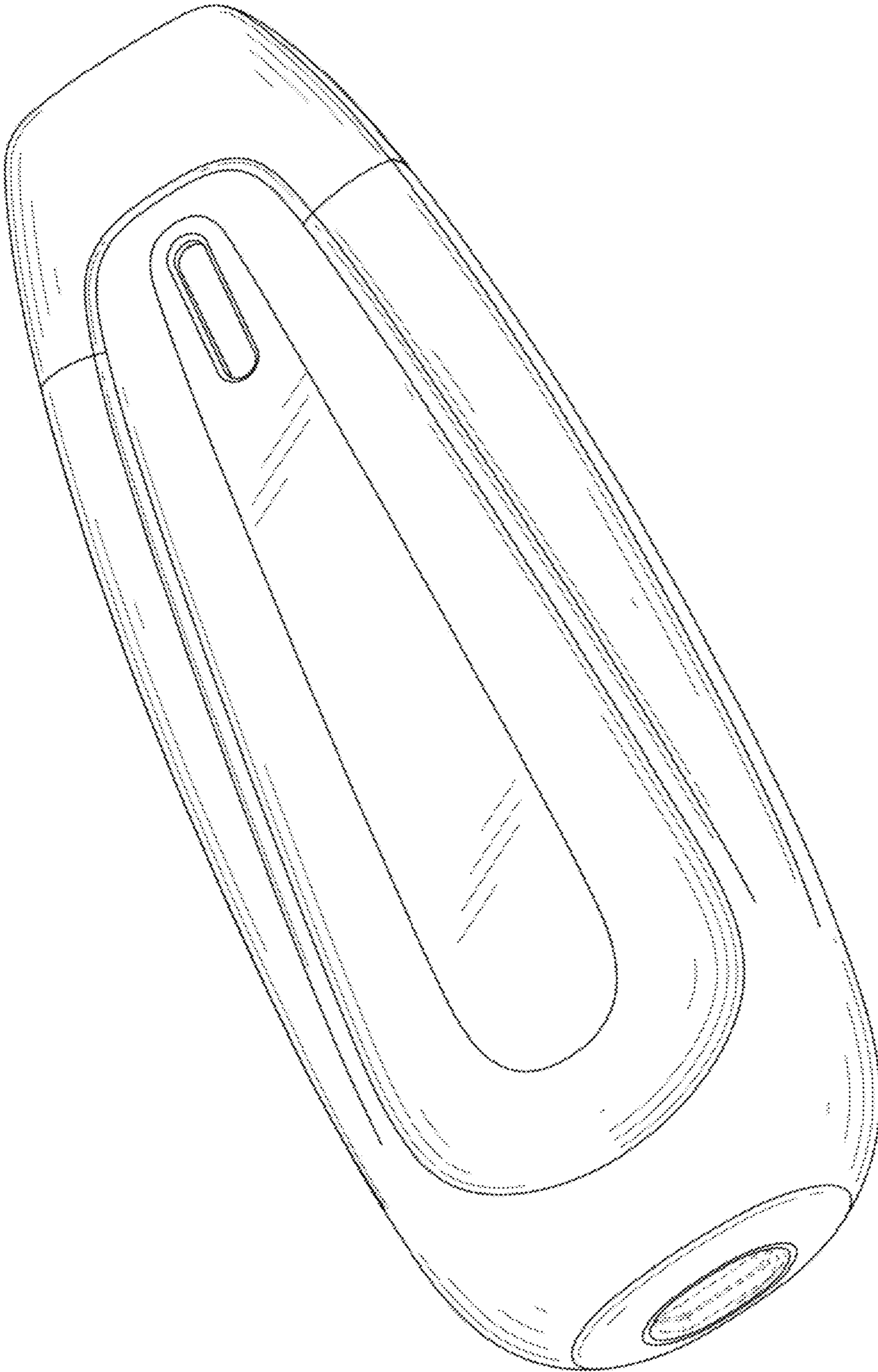


FIG. 32