



US00D881459S

(12) **United States Design Patent**
Ouyang

(10) **Patent No.:** **US D881,459 S**

(45) **Date of Patent:** **** Apr. 14, 2020**

- (54) **ELECTRONIC CIGARETTE**
- (71) Applicant: **SHENZHEN IVPS TECHNOLOGY CO., LTD.**, Shenzhen, Guangdong Province (CN)
- (72) Inventor: **Junwei Ouyang**, Shenzhen (CN)
- (73) Assignee: **Shenzhen IVPS Technology Co. Ltd.**, Shenzhen (CN)
- (**) Term: **15 Years**
- (21) Appl. No.: **29/658,377**
- (22) Filed: **Jul. 31, 2018**
- (30) **Foreign Application Priority Data**
Apr. 23, 2018 (CN) 2018 3 0169360
- (51) **LOC (12) Cl.** **27-02**
- (52) **U.S. Cl.**
USPC **D27/162**
- (58) **Field of Classification Search**
USPC D27/162, 100, 101, 163, 164, 165, 172, D27/174, 175, 176, 183, 185-194; D24/110, 110.5; 128/202.21, 203.12; 131/273, 274, 270, 191, 328, 329, 330, 131/360-365
CPC A24F 47/002; A24F 47/006; A24F 47/008; A61M 15/00; A61M 15/06
See application file for complete search history.

- D748,324 S * 1/2016 Choi D27/163
- D748,325 S * 1/2016 Leidel D27/163
- D769,520 S * 10/2016 Hua D27/167
- D770,678 S * 11/2016 Shin D27/163
- D772,477 S * 11/2016 Shin D27/163
- D773,114 S * 11/2016 Leidel D27/163
- D776,051 S * 1/2017 Wang D13/103
- D801,507 S * 10/2017 Kelnhofer D23/366
- D808,073 S * 1/2018 Leidel D27/162
- D821,640 S * 6/2018 Qiu D27/162
- D834,746 S * 11/2018 Liu D27/162
- D835,840 S * 12/2018 Liu D27/162
- D842,237 S * 3/2019 Qiu D13/103
- D843,052 S * 3/2019 Powell D27/163
- 2018/0013175 A1 * 1/2018 Liu H01M 2/1055

* cited by examiner

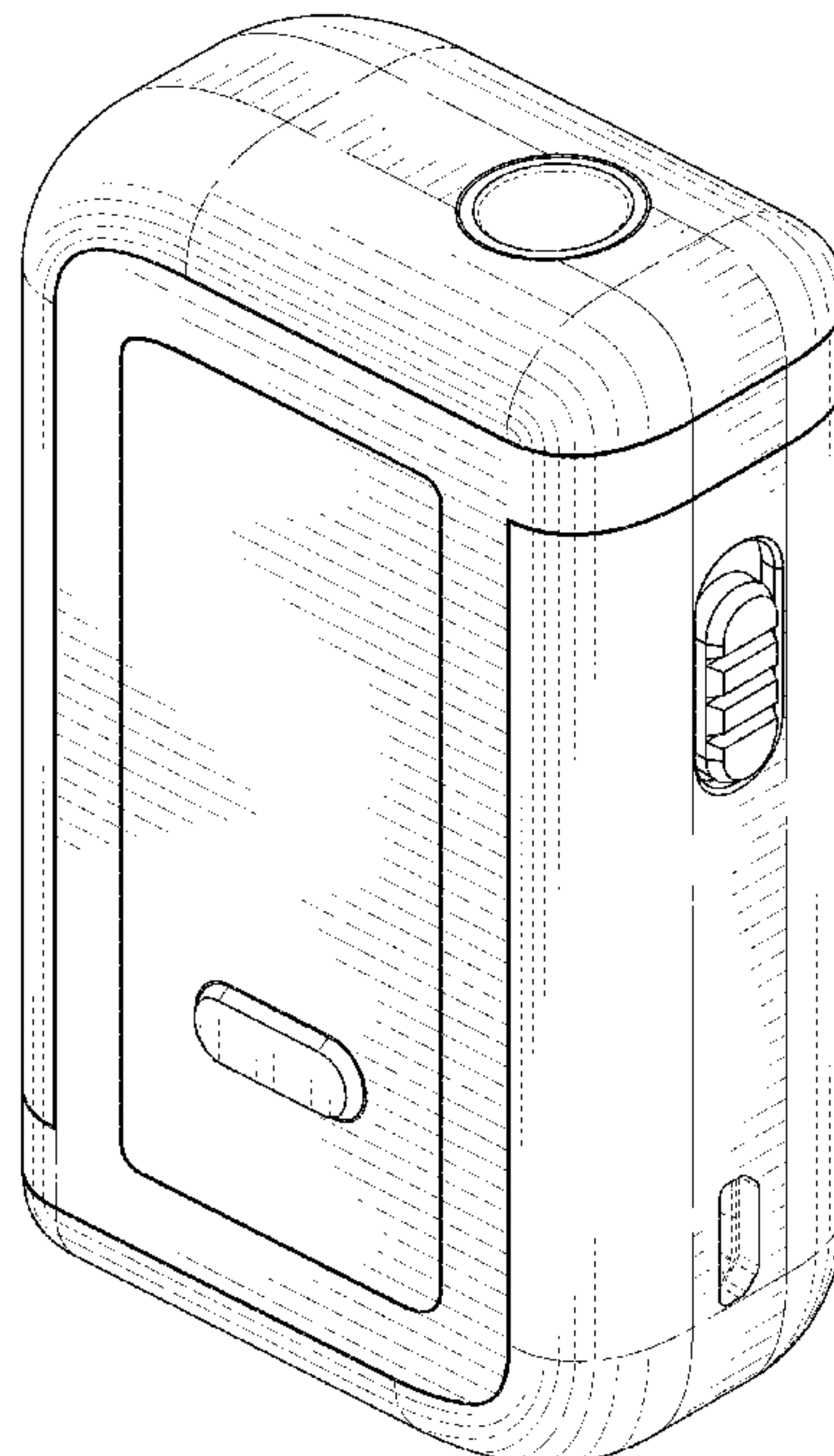
Primary Examiner — Marissa J Cash
Assistant Examiner — Rebecca Tsehaye
(74) *Attorney, Agent, or Firm* — IP-PAL Patent US

- (56) **References Cited**
U.S. PATENT DOCUMENTS
D654,160 S * 2/2012 Yomtov D23/360
D708,727 S * 7/2014 Postma D23/360

(57) **CLAIM**
The ornamental design for an electronic cigarette, as shown and described.

DESCRIPTION
FIG. 1 is a perspective front View of an electronic cigarette; FIG. 2 is a front View thereof; FIG. 3 is a rear View thereof; FIG. 4 is a top View thereof; FIG. 5 is a bottom View thereof; FIG. 6 is a left side View thereof; and, FIG. 7 is a right side View thereof.
The broken lines in the drawings depict portions of the electronic cigarette that form no part of the claimed design.

1 Claim, 7 Drawing Sheets



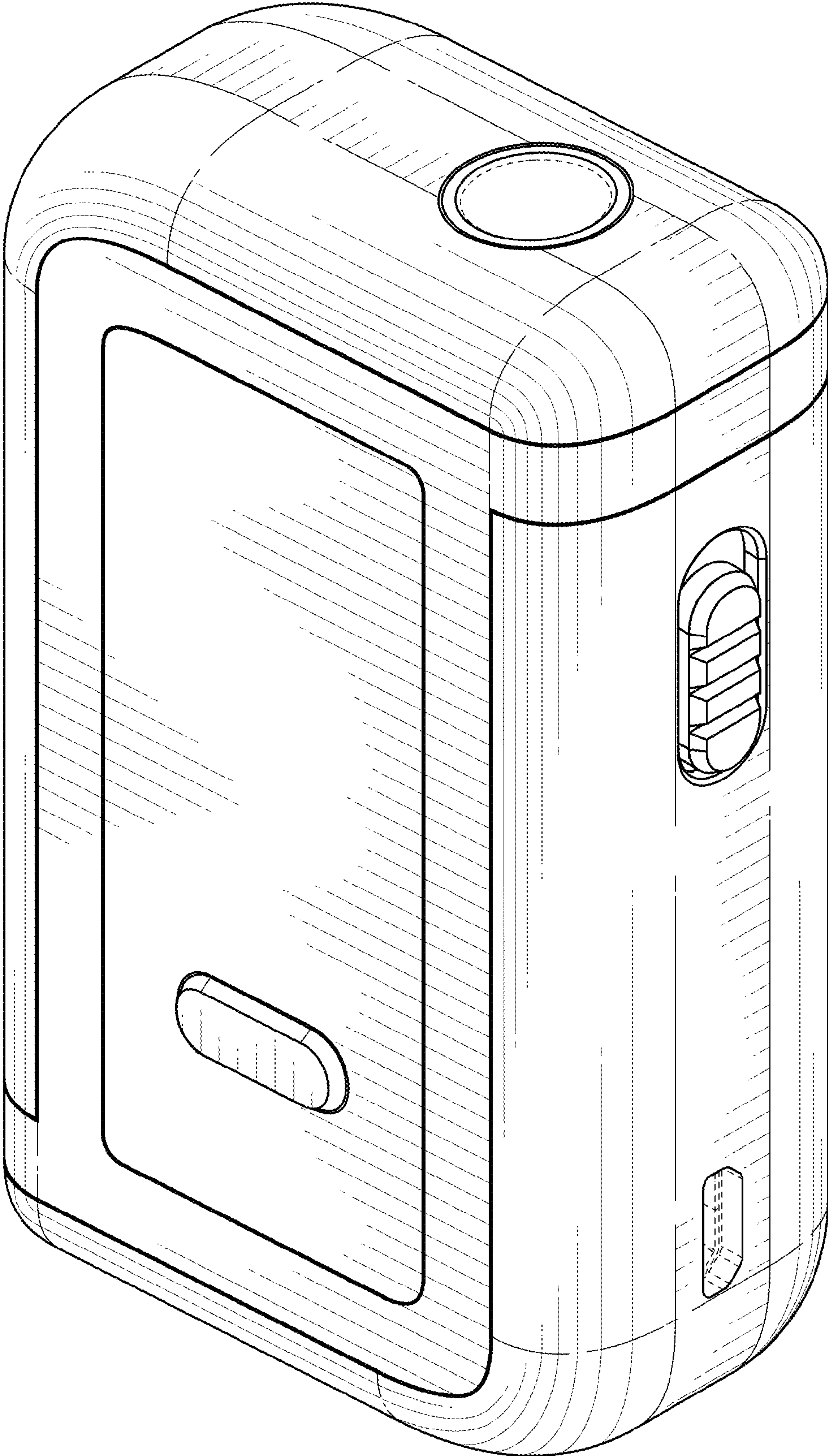


FIG. 1

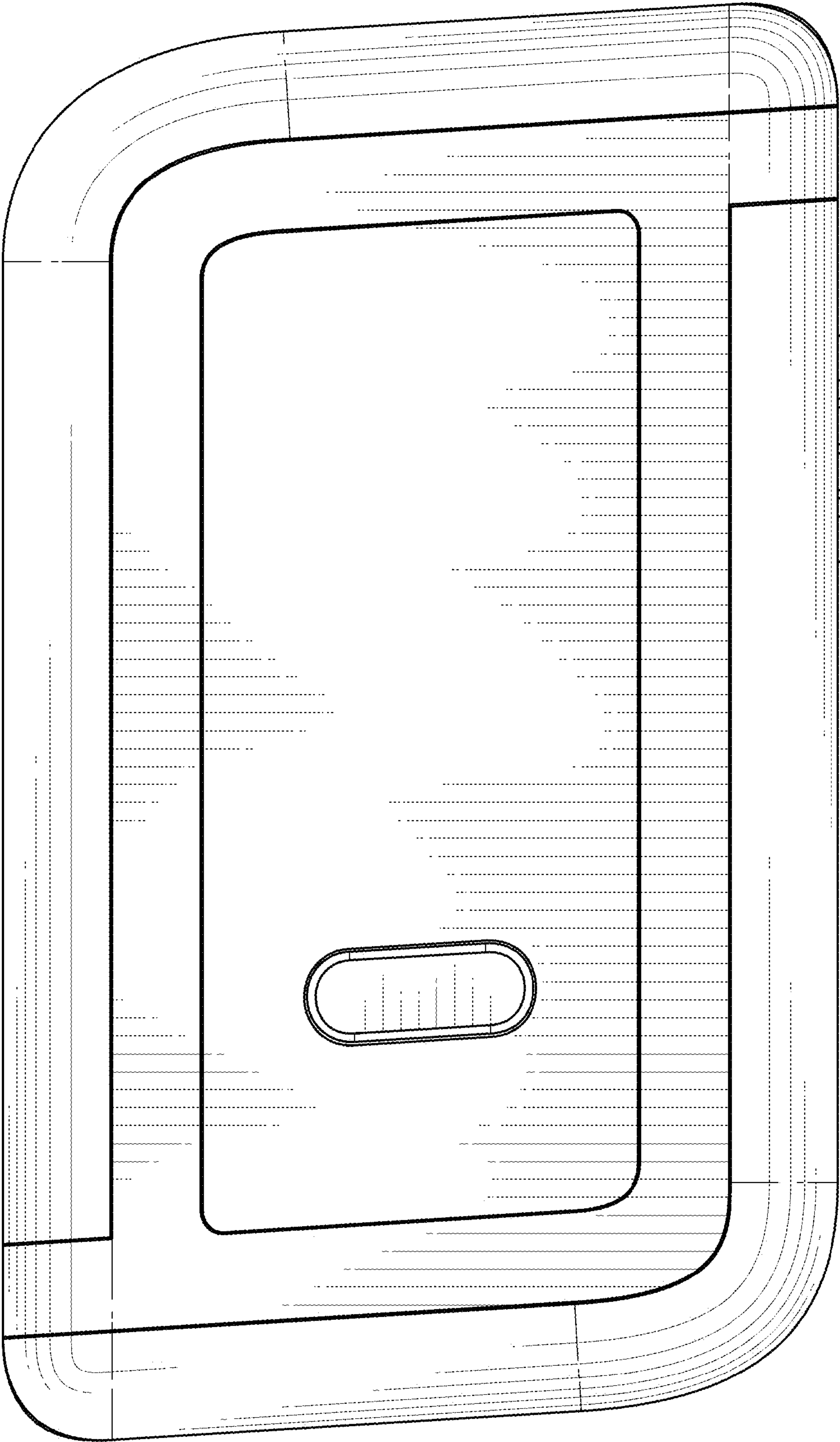


FIG. 2

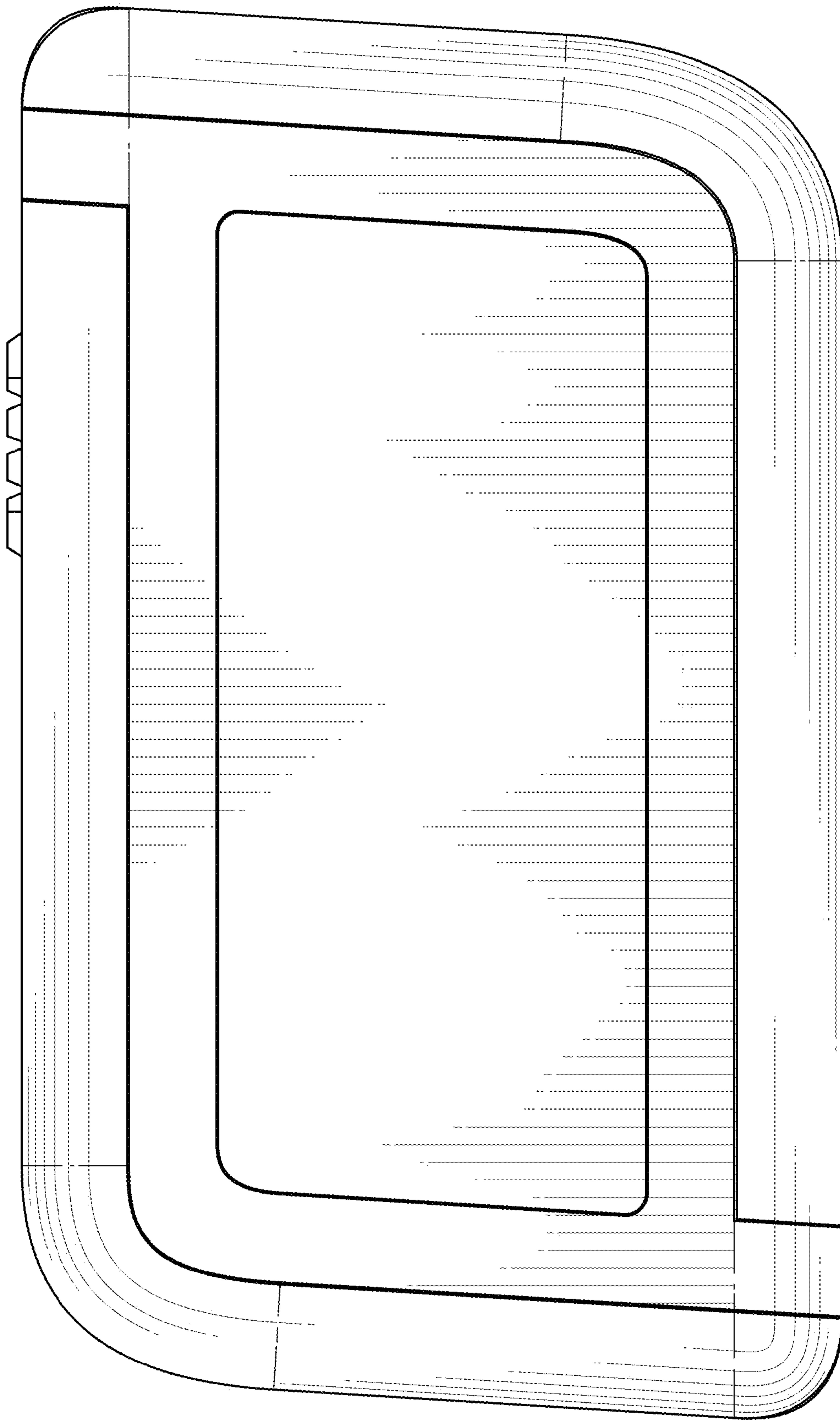


FIG. 3

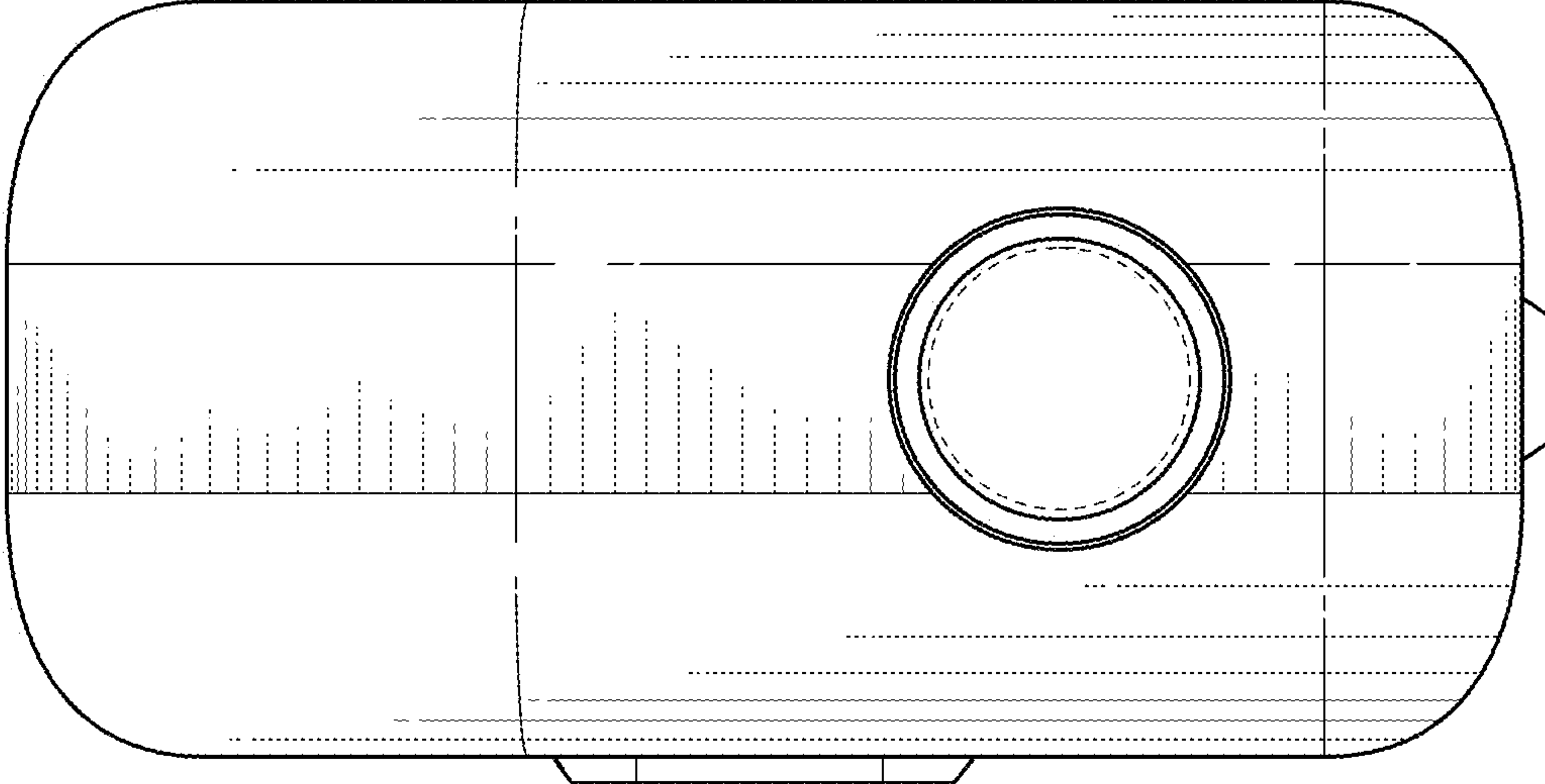


FIG. 4

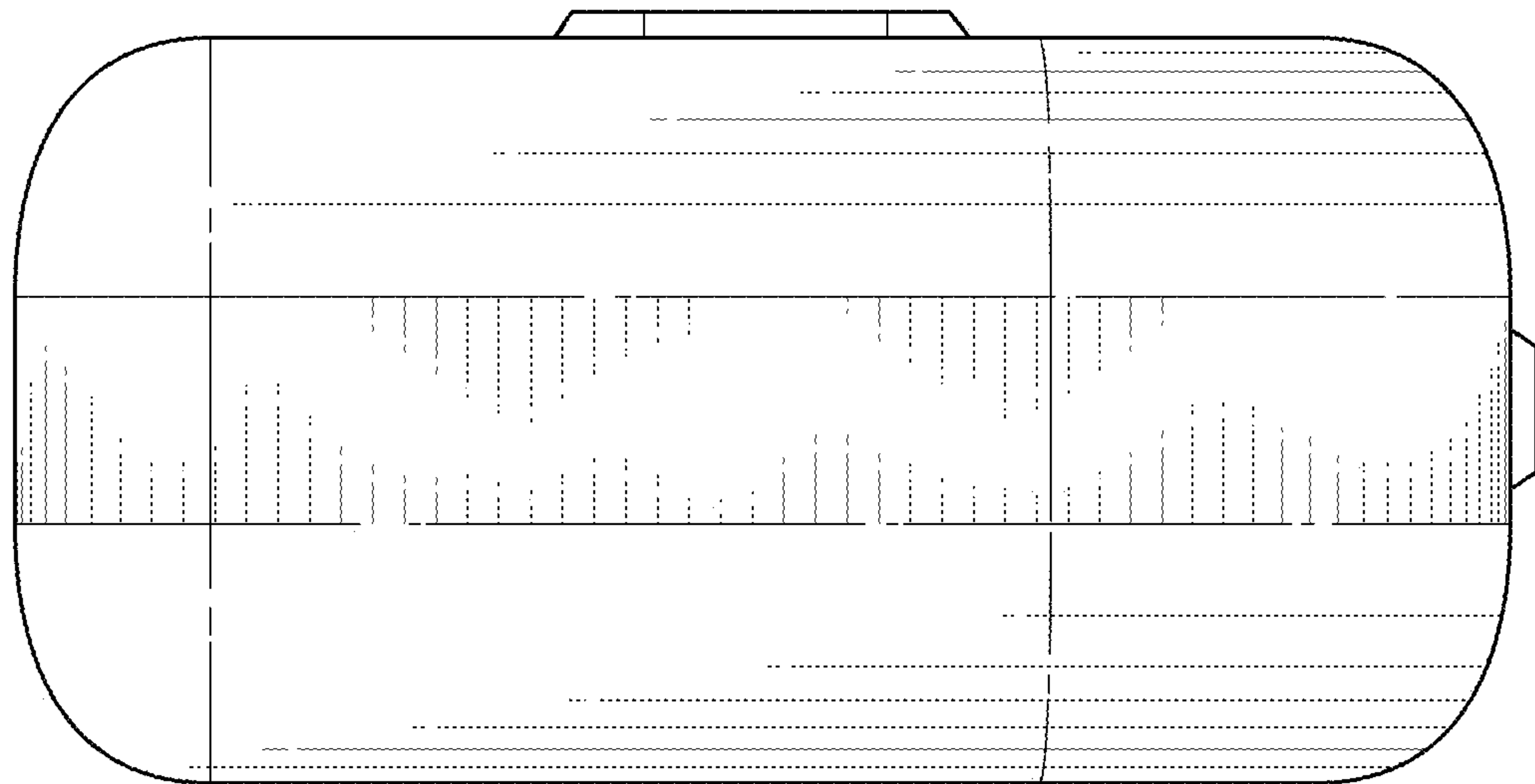


FIG. 5

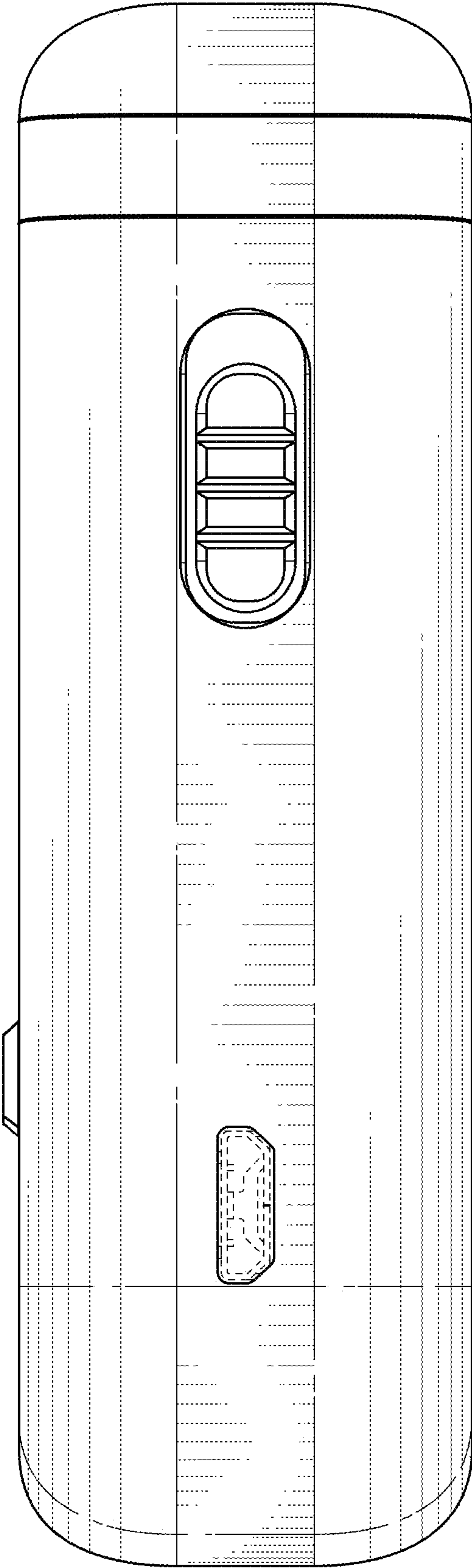


FIG. 6

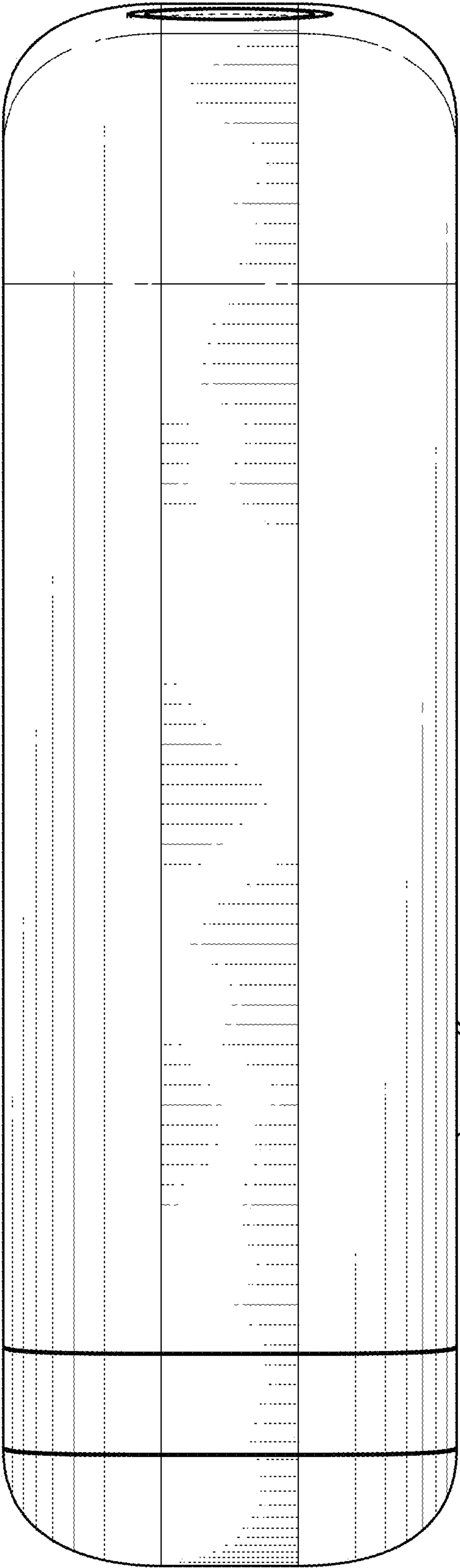


FIG. 7