



US00D881456S

(12) **United States Design Patent**
Chen

(10) **Patent No.:** **US D881,456 S**

(45) **Date of Patent:** **** Apr. 14, 2020**

(54) **ATOMIZER**

(71) Applicant: **SHENZHEN IVPS TECHNOLOGY CO., LTD.**, Shenzhen, Guangdong Province (CN)

(72) Inventor: **Wen Chen**, Shenzhen (CN)

(73) Assignee: **Shenzhen IVPS Technology Co. Ltd.**, Shenzhen (CN)

(**) Term: **15 Years**

(21) Appl. No.: **29/647,411**

(22) Filed: **May 11, 2018**

(51) **LOC (12) Cl.** **27-02**

(52) **U.S. Cl.**
USPC **D27/162**

(58) **Field of Classification Search**
USPC D27/162, 100, 101, 152, 163–165, 167, D27/169, 172, 174–176, 183, 185–195; D24/110, 110.5; 128/202.21, 203.12; 131/273, 274, 270, 191, 328, 329, 330, 131/360–365
CPC A24F 47/002; A24F 47/006; A24F 47/008; A61M 15/00; A61M 15/06

See application file for complete search history.

(56) **References Cited**

U.S. PATENT DOCUMENTS

D636,844 S *	4/2011	Herre	D23/213
D729,440 S *	5/2015	Liu	D27/101
D740,488 S *	10/2015	Leidel	D27/167
D792,022 S *	7/2017	Li	D27/167
D799,114 S *	10/2017	Li	D27/167
D811,652 S *	2/2018	Liu	D27/167
D821,641 S *	6/2018	Watson	D27/194
D823,534 S *	7/2018	Chen	D27/162
D826,471 S *	8/2018	Wang	D27/167
D836,243 S *	12/2018	Liu	D27/167

D853,635 S *	7/2019	Chen	D27/194
D854,739 S *	7/2019	Li	D27/162
2014/0360514 A1 *	12/2014	Zhu	A24F 47/008 131/329
2015/0189919 A1 *	7/2015	Liu	A24F 47/008 131/329
2015/0257444 A1 *	9/2015	Chung	A24F 47/008 131/329
2015/0282529 A1 *	10/2015	Li	A24F 47/008 131/273
2016/0295920 A1 *	10/2016	Liu	H05B 3/0014
2017/0013881 A1 *	1/2017	Liu	A24F 47/008

OTHER PUBLICATIONS

<https://www.vapor1.com/uwell-crown-iv-sub-ohm-tank-atomizer-6ml.html> (Oct. 31, 2018).*

* cited by examiner

Primary Examiner — Marissa J Cash

Assistant Examiner — Rebecca Tsehaye

(74) *Attorney, Agent, or Firm* — IP-PAL Patent US

(57) **CLAIM**

The ornamental design for an atomizer, as shown and described.

DESCRIPTION

FIG. 1 is a perspective bottom View of an atomizer;

FIG. 2 is a perspective front View thereof;

FIG. 3 is a left side View thereof;

FIG. 4 is a right side View thereof;

FIG. 5 is an enlarged top View thereof;

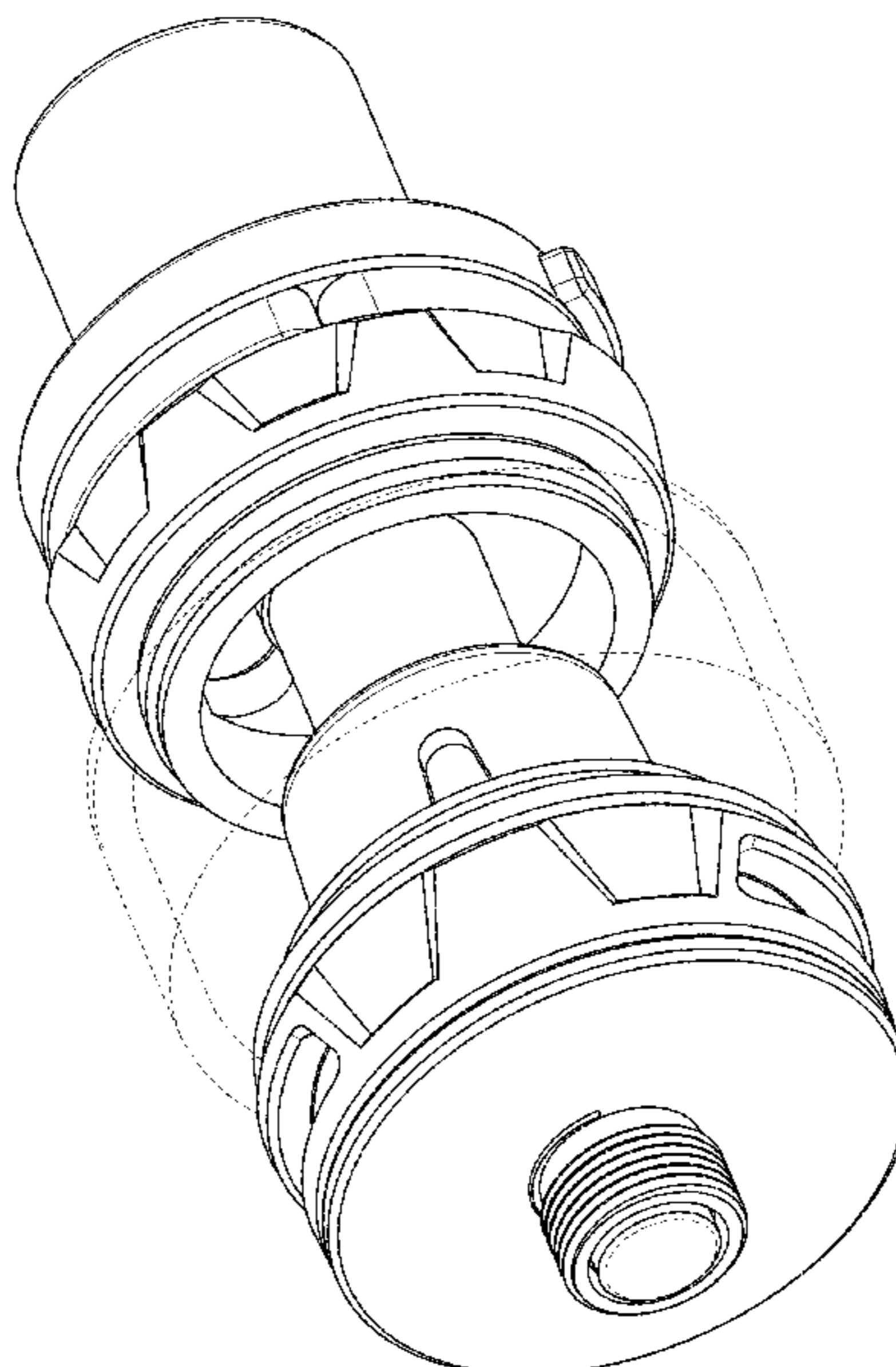
FIG. 6 is an enlarged bottom View thereof;

FIG. 7 is a front View thereof; and,

FIG. 8 is a rear View thereof.

The broken lines in the drawings depict portions of the atomizer that form no part of the claimed design.

1 Claim, 8 Drawing Sheets



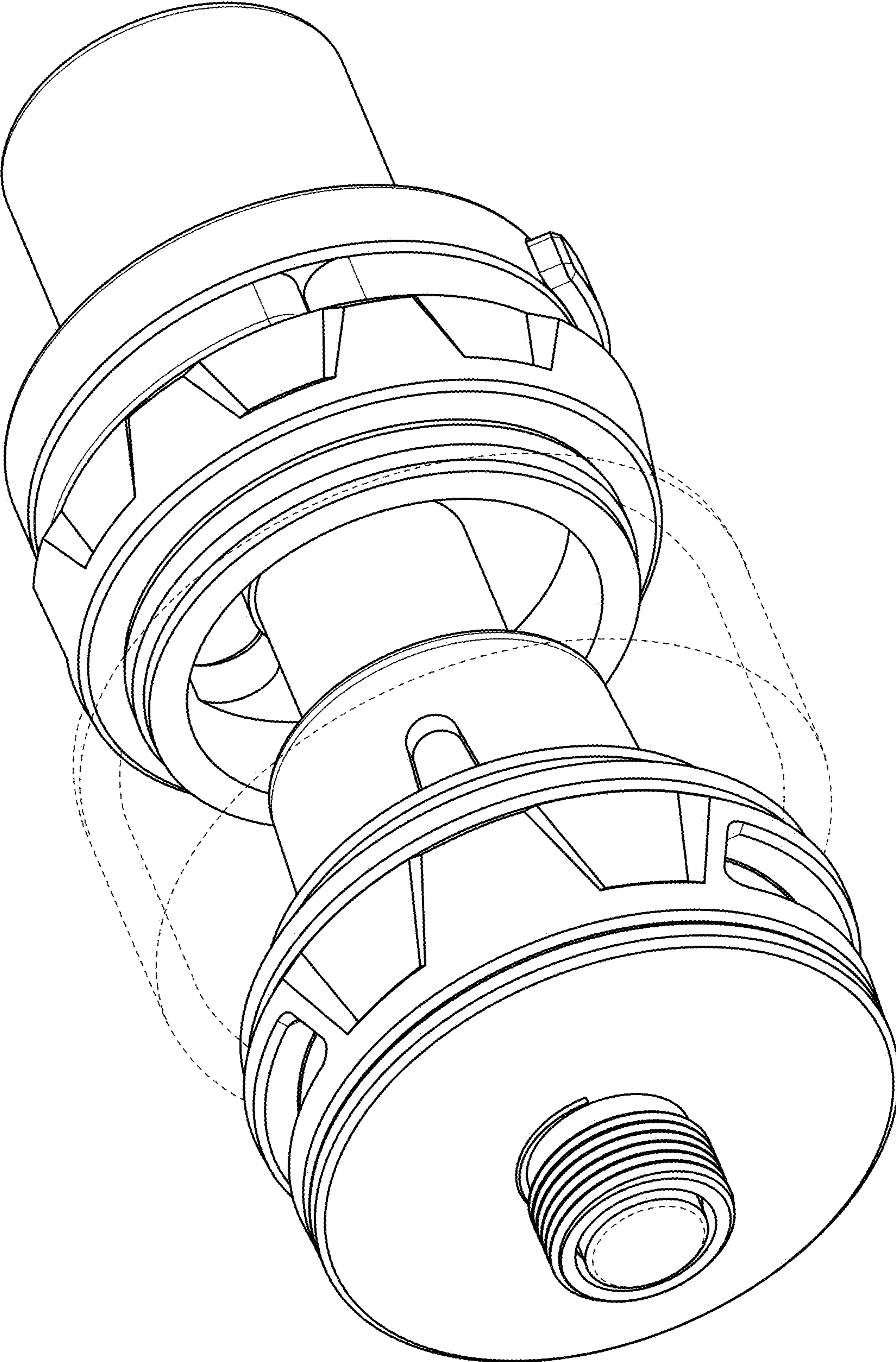


FIG. 1

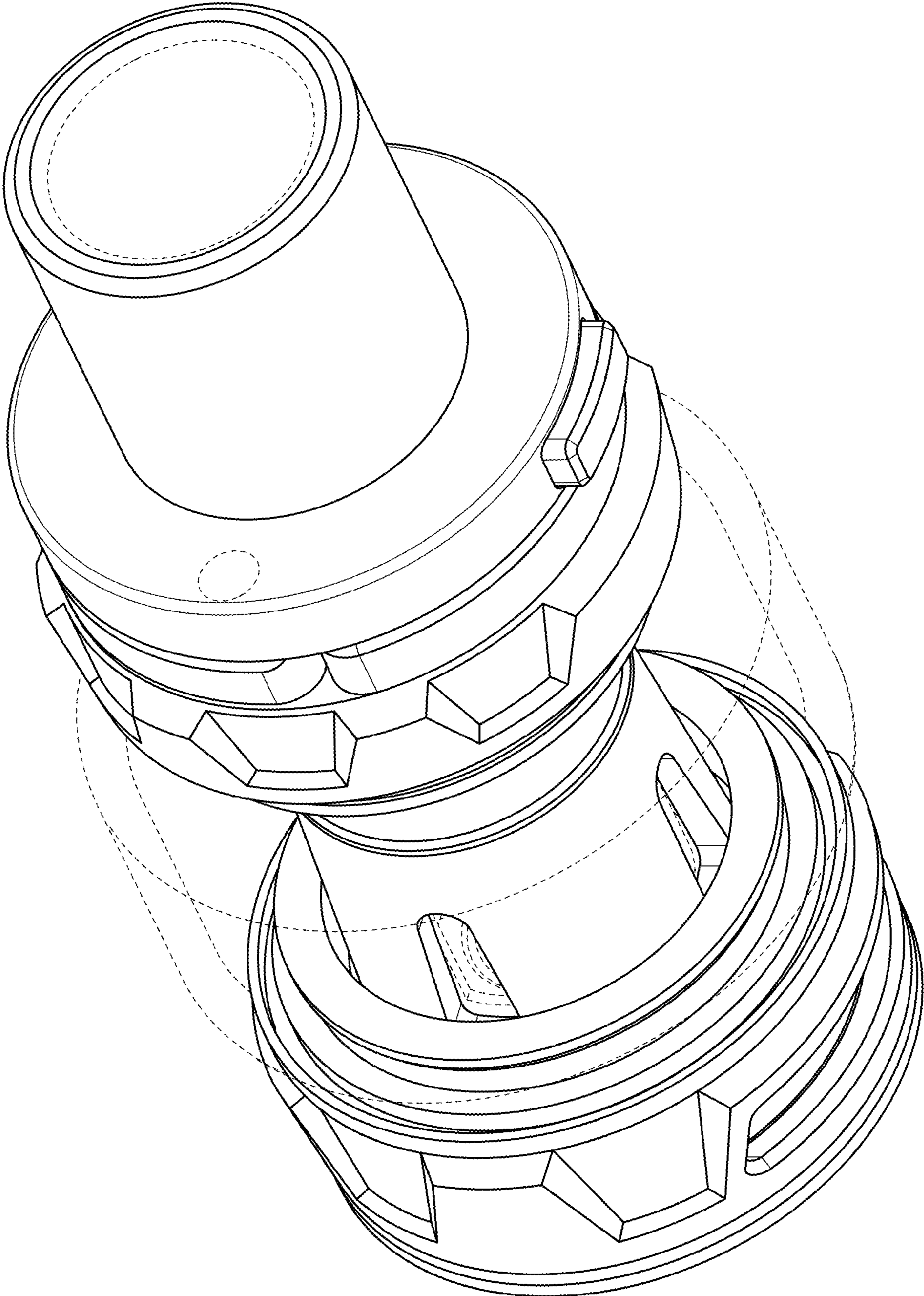


FIG. 2

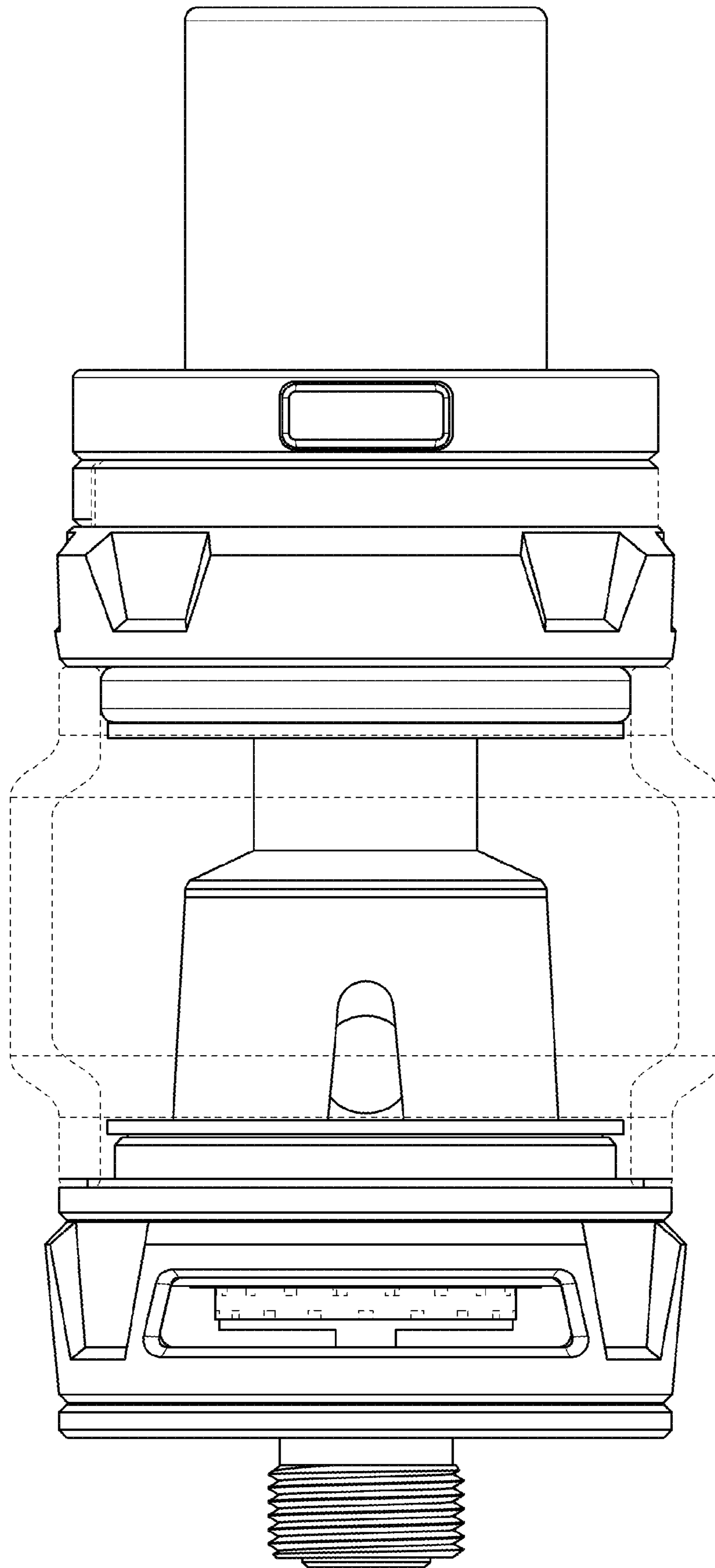


FIG. 3

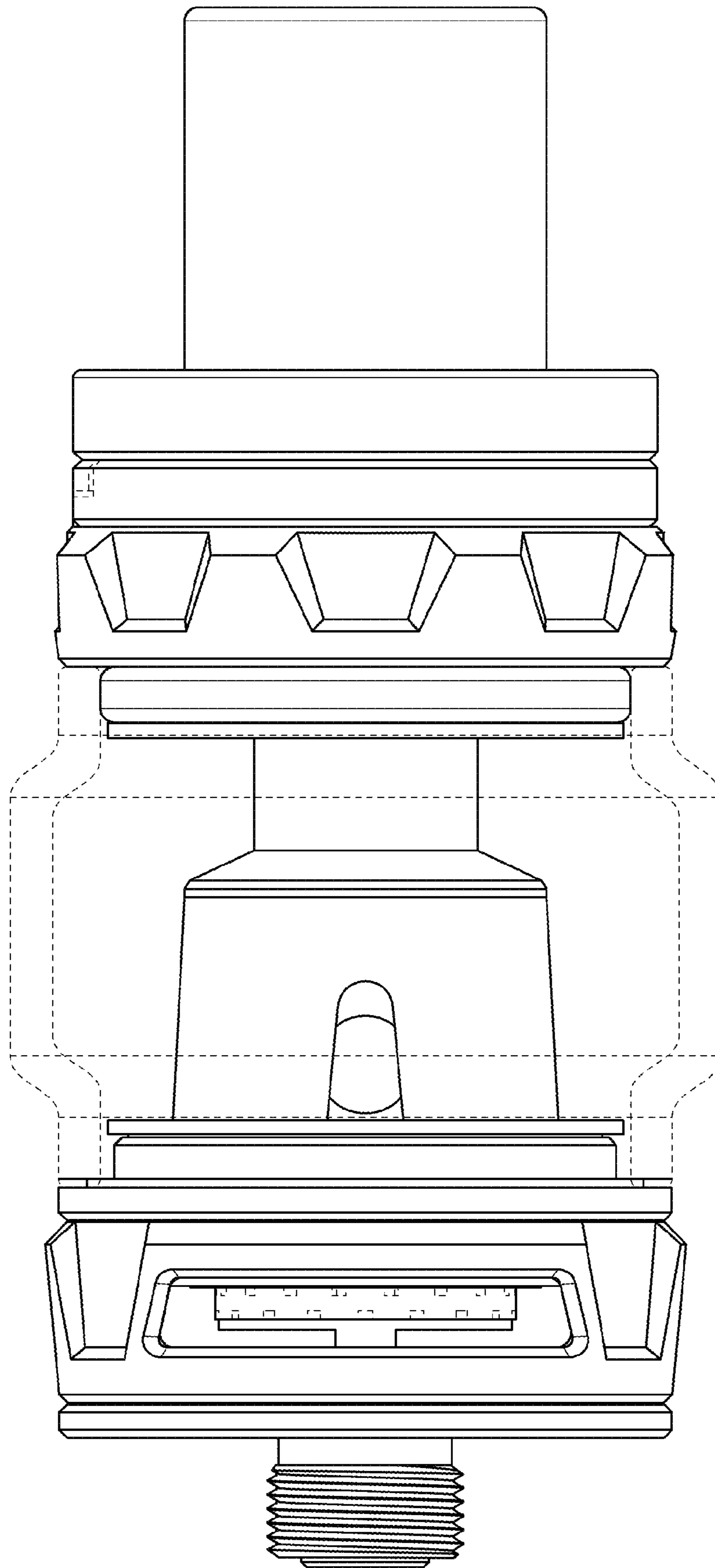


FIG. 4

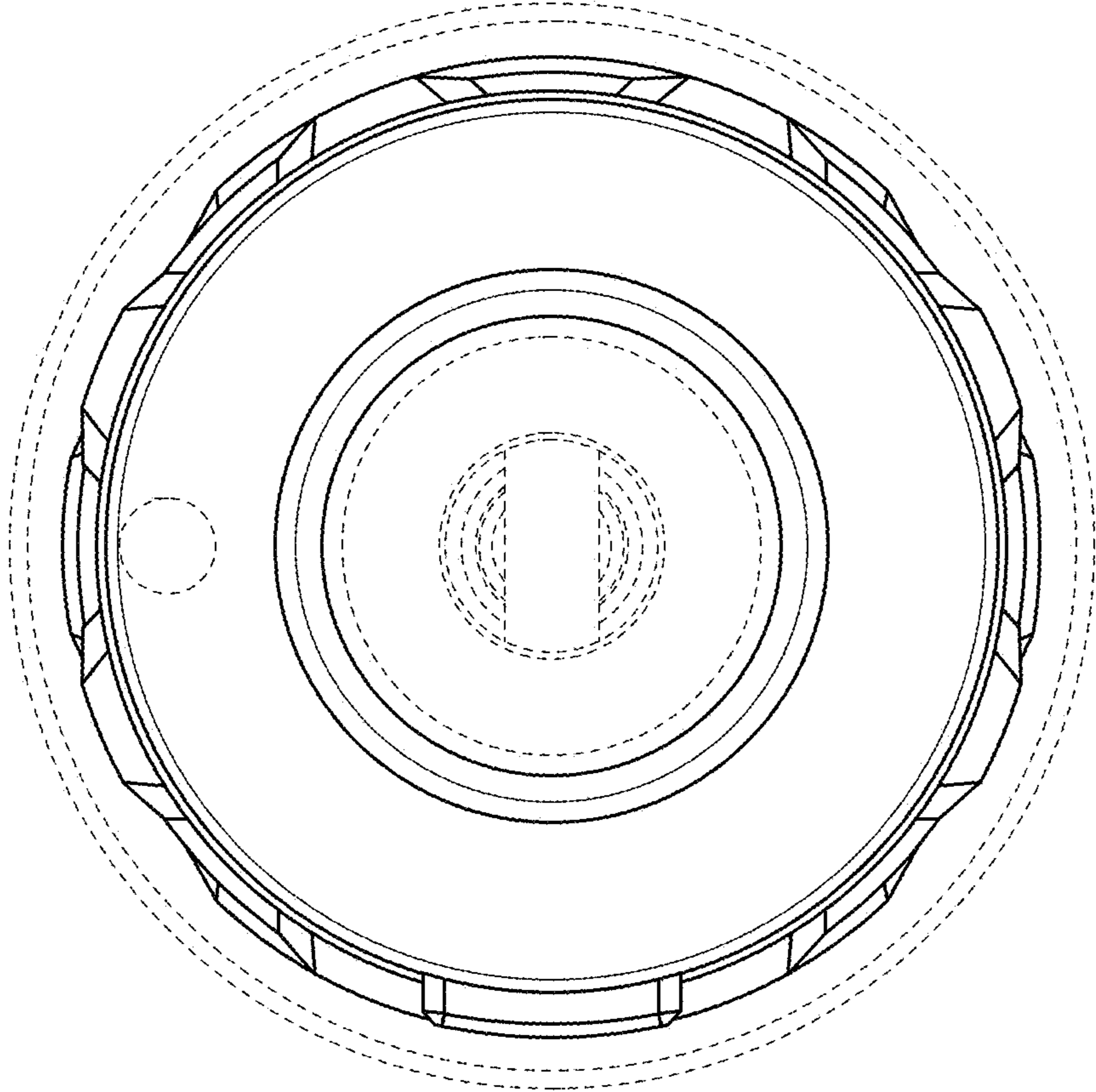


FIG. 5

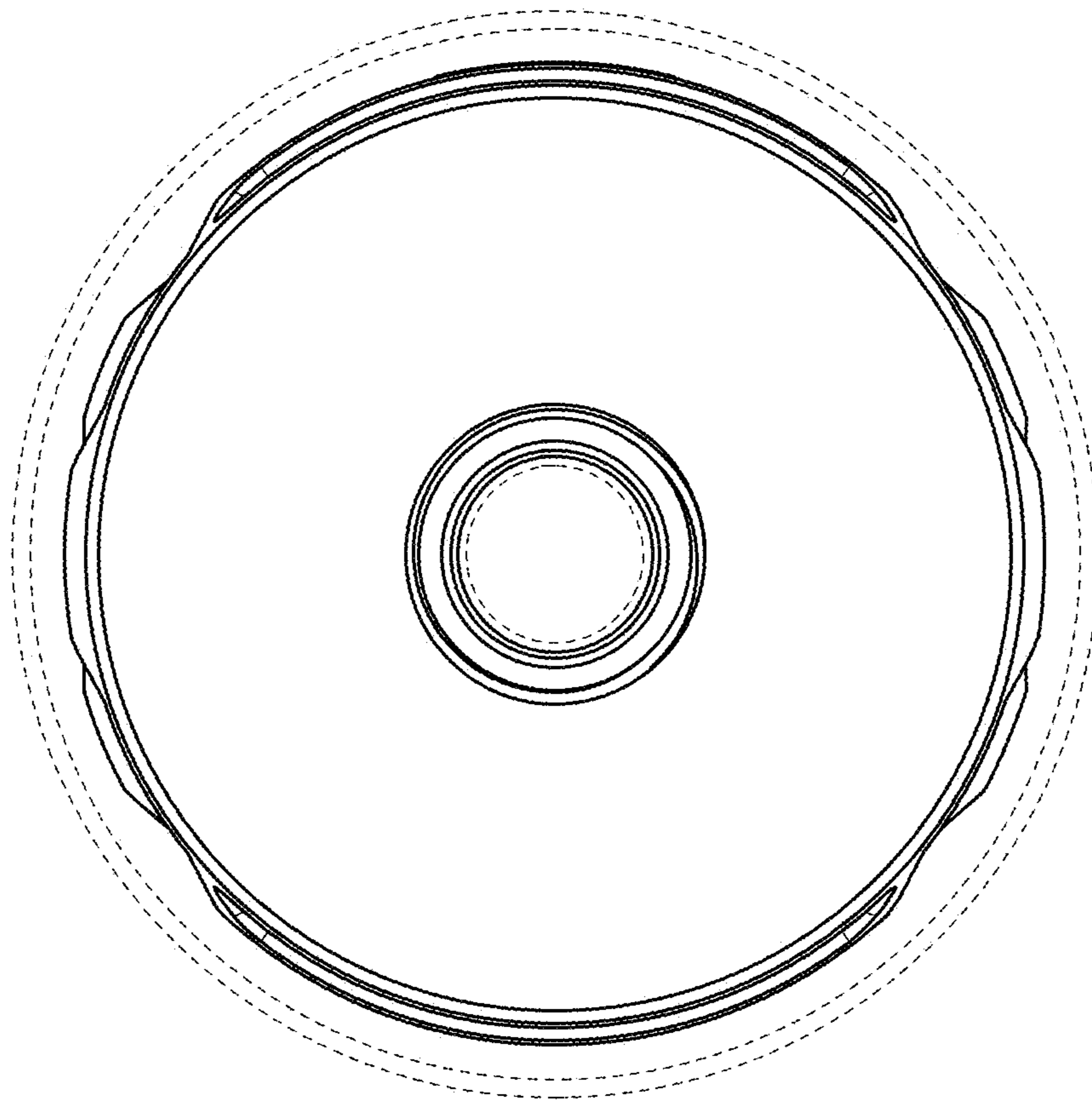


FIG. 6

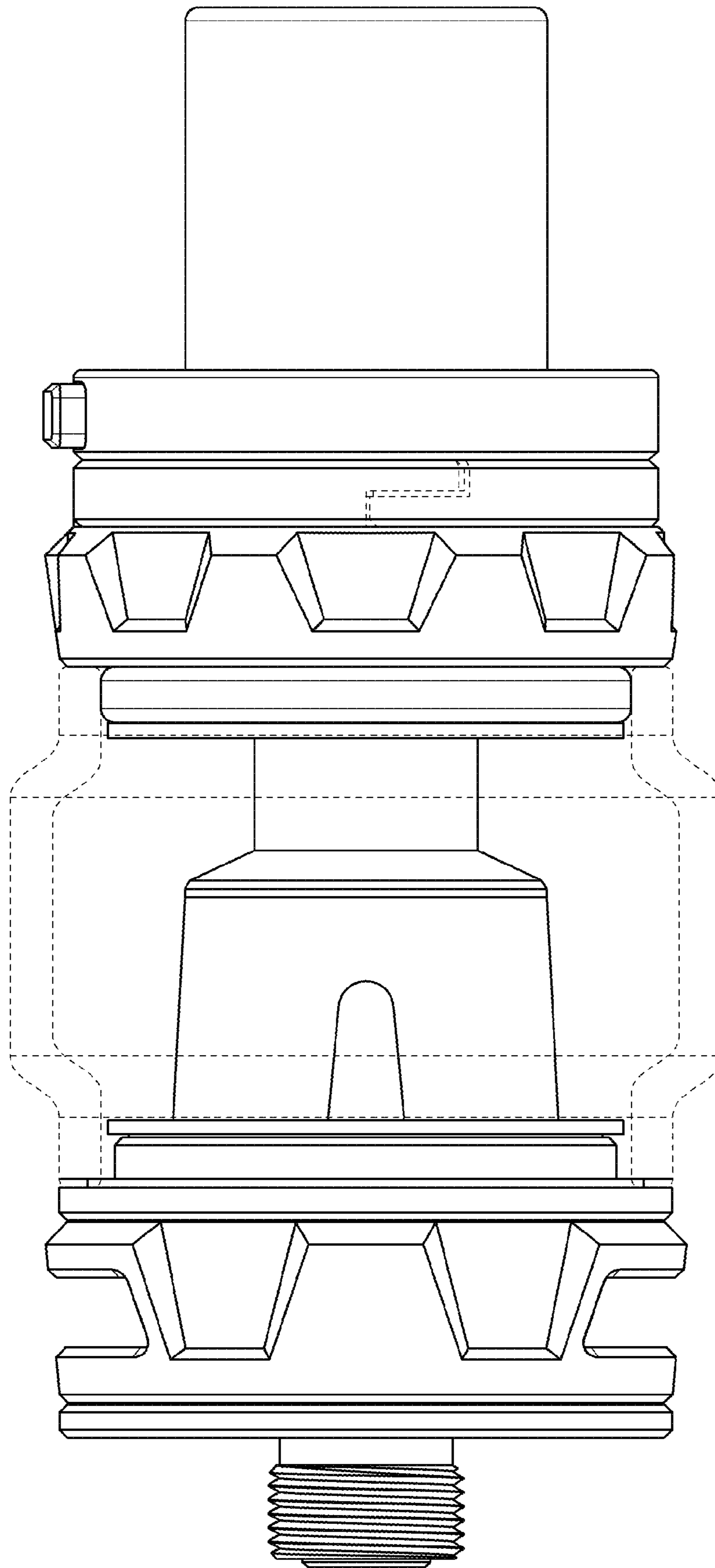


FIG. 7

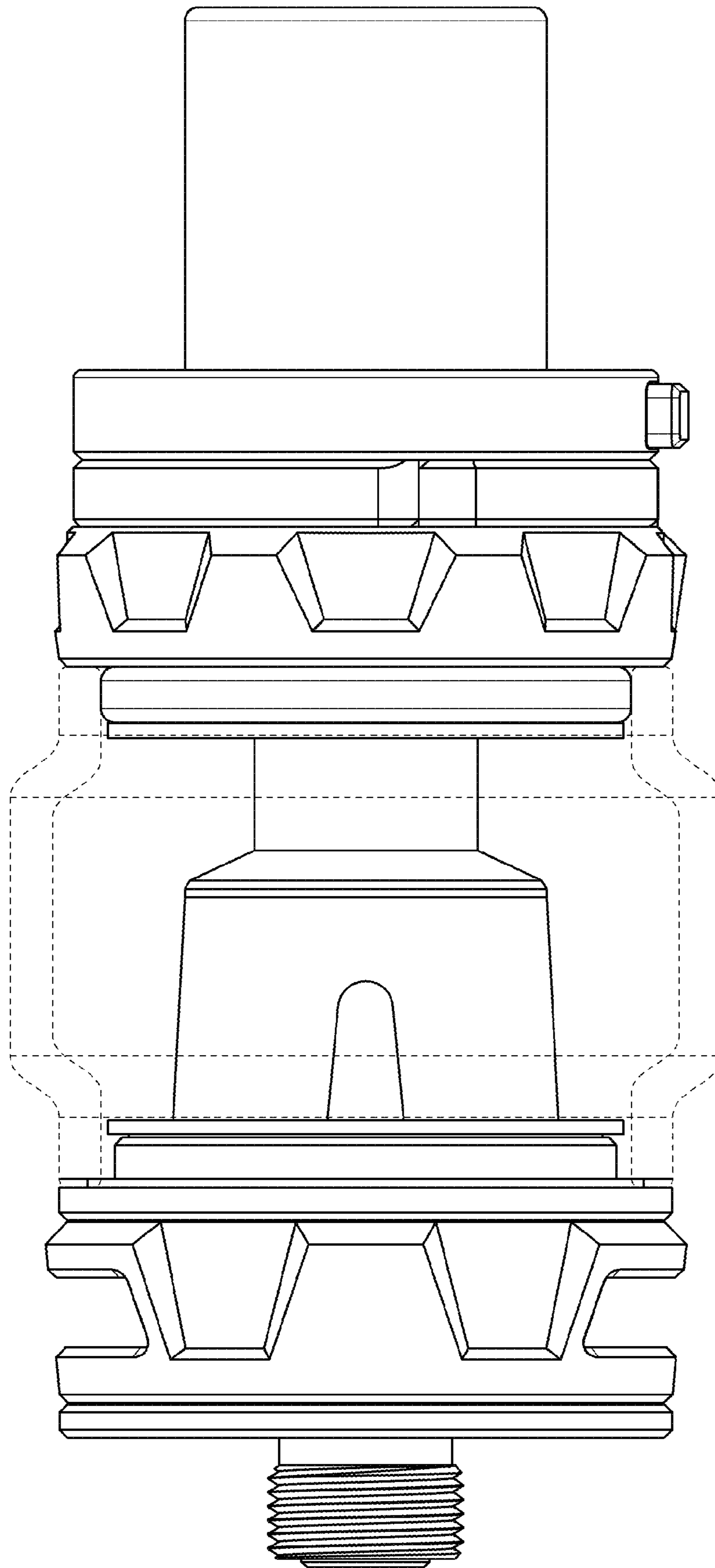


FIG. 8