



US00D881449S

(12) **United States Design Patent**
Stolte

(10) **Patent No.:** **US D881,449 S**
(45) **Date of Patent:** **** Apr. 14, 2020**

(54) **LIGHTING FIXTURE**

(71) Applicant: **Kenall Manufacturing Company,**
Kenosha, WI (US)

(72) Inventor: **Brandon Stolte,** Lindenhurst, IL (US)

(73) Assignee: **Kenall Manufacturing Company,**
Kenosha, WI (US)

(**) Term: **15 Years**

(21) Appl. No.: **29/629,241**

(22) Filed: **Dec. 12, 2017**

(51) **LOC (12) Cl.** **26-05**

(52) **U.S. Cl.**
USPC **D26/138**

(58) **Field of Classification Search**

USPC D26/72, 74, 76, 78-83, 85, 86, 88, 90,
D26/93, 111, 113, 118, 119, 120, 121,
D26/122, 138, 139, 140, 141, 142, 152
CPC F21S 2/00; F21S 4/00; F21S 4/003; F21S
4/005; F21S 4/006; F21S 4/007; F21S
4/008; F21S 6/00; F21S 8/00; F21S
8/024; F21S 8/026; F21S 8/031; F21S
8/033; F21S 8/035-037; F21S 8/04; F21S
8/043; F21S 8/063

See application file for complete search history.

(56) **References Cited**

U.S. PATENT DOCUMENTS

D406,377 S * 3/1999 Pearce D26/135
D442,733 S * 5/2001 Minissi D26/118

(Continued)

Primary Examiner — Natasha Vujcic

(74) *Attorney, Agent, or Firm* — Christopher M. Scherer;
DeWitt LLP

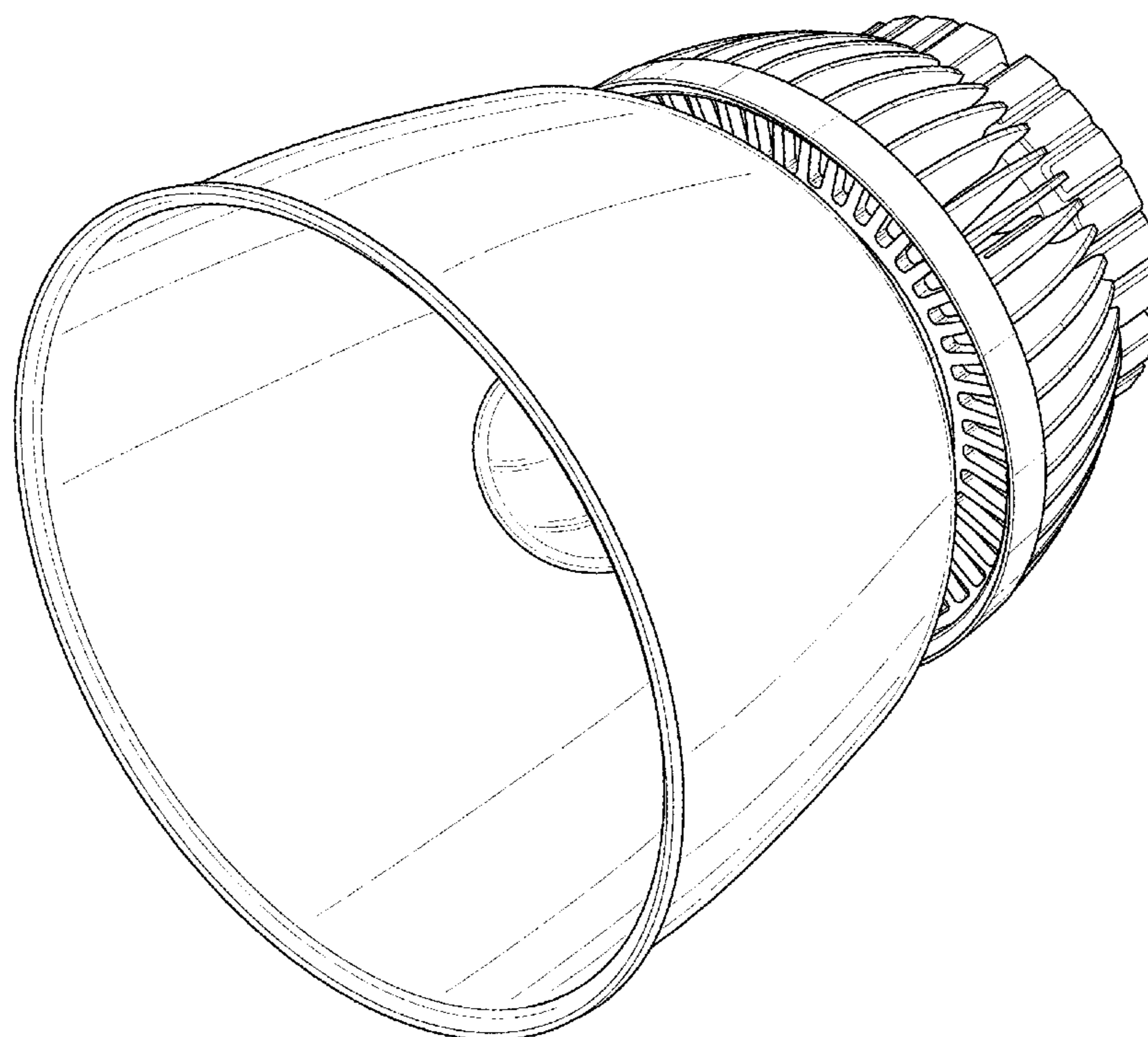
(57) **CLAIM**

The ornamental design for a lighting fixture, as shown and described.

DESCRIPTION

FIG. 1 is a bottom perspective view showing a first embodiment of a new design for a lighting fixture;
FIG. 2 is a bottom view of the lighting fixture of FIG. 1;
FIG. 3 is a top view of the lighting fixture of FIG. 1;
FIG. 4 is a left-side view of the lighting fixture of FIG. 1;
FIG. 5 is a right-side view of the lighting fixture of FIG. 1;
FIG. 6 is a bottom perspective view showing an additional embodiment of a new design for a lighting fixture;
FIG. 7 is a bottom view of the lighting fixture of FIG. 6;
FIG. 8 is a top view of the lighting fixture of FIG. 6;
FIG. 9 is a left-side view of the lighting fixture of FIG. 6;
FIG. 10 is a right-side view of the lighting fixture of FIG. 6;
FIG. 11 is a bottom perspective view showing an additional embodiment of a new design for a lighting fixture;
FIG. 12 is a bottom view of the lighting fixture of FIG. 11;
FIG. 13 is a top view of the lighting fixture of FIG. 11;
FIG. 14 is a left-side view of the lighting fixture of FIG. 11;
FIG. 15 is a right-side view of the lighting fixture of FIG. 11;
FIG. 16 is a bottom perspective view showing an additional embodiment of a new design for a lighting fixture;
FIG. 17 is a bottom view of the lighting fixture of FIG. 16;
FIG. 18 is a top view of the lighting fixture of FIG. 16;
FIG. 19 is a left-side view of the lighting fixture of FIG. 16;
FIG. 20 is a right-side view of the lighting fixture of FIG. 16;
The broken lines in the drawings illustrate portions of the lighting fixture which form no part of the claimed design.

1 Claim, 20 Drawing Sheets



(56)

References Cited

U.S. PATENT DOCUMENTS

6,390,655	B1 *	5/2002	Haugaard	F21S 8/04 362/265
D581,583	S *	11/2008	Peng	D26/135
D629,129	S *	12/2010	Lin	D26/2
D657,088	S *	4/2012	Miro	D26/85
D657,492	S *	4/2012	Blincoe	D26/152
D657,908	S *	4/2012	Blincoe	D26/152
D668,811	S *	10/2012	Peter	D26/89
D673,320	S *	12/2012	Guercio	D26/89
D675,367	S *	1/2013	Maxik	D26/118
D676,986	S *	2/2013	Maxik	D26/2
D686,362	S *	7/2013	Melrose	D26/118
D698,989	S *	2/2014	Dungan	D26/128
D702,395	S *	4/2014	Stolte	D26/118
D749,241	S *	2/2016	Zhang	D26/2
D750,317	S *	2/2016	Lui	D26/138
D776,857	S *	1/2017	Stolte	D26/89
D791,390	S *	7/2017	Stolte	D26/89
D811,002	S *	2/2018	Chang	D26/152
D831,261	S *	10/2018	Ding	D26/88
D846,173	S *	4/2019	Dahlen	D26/72

* cited by examiner

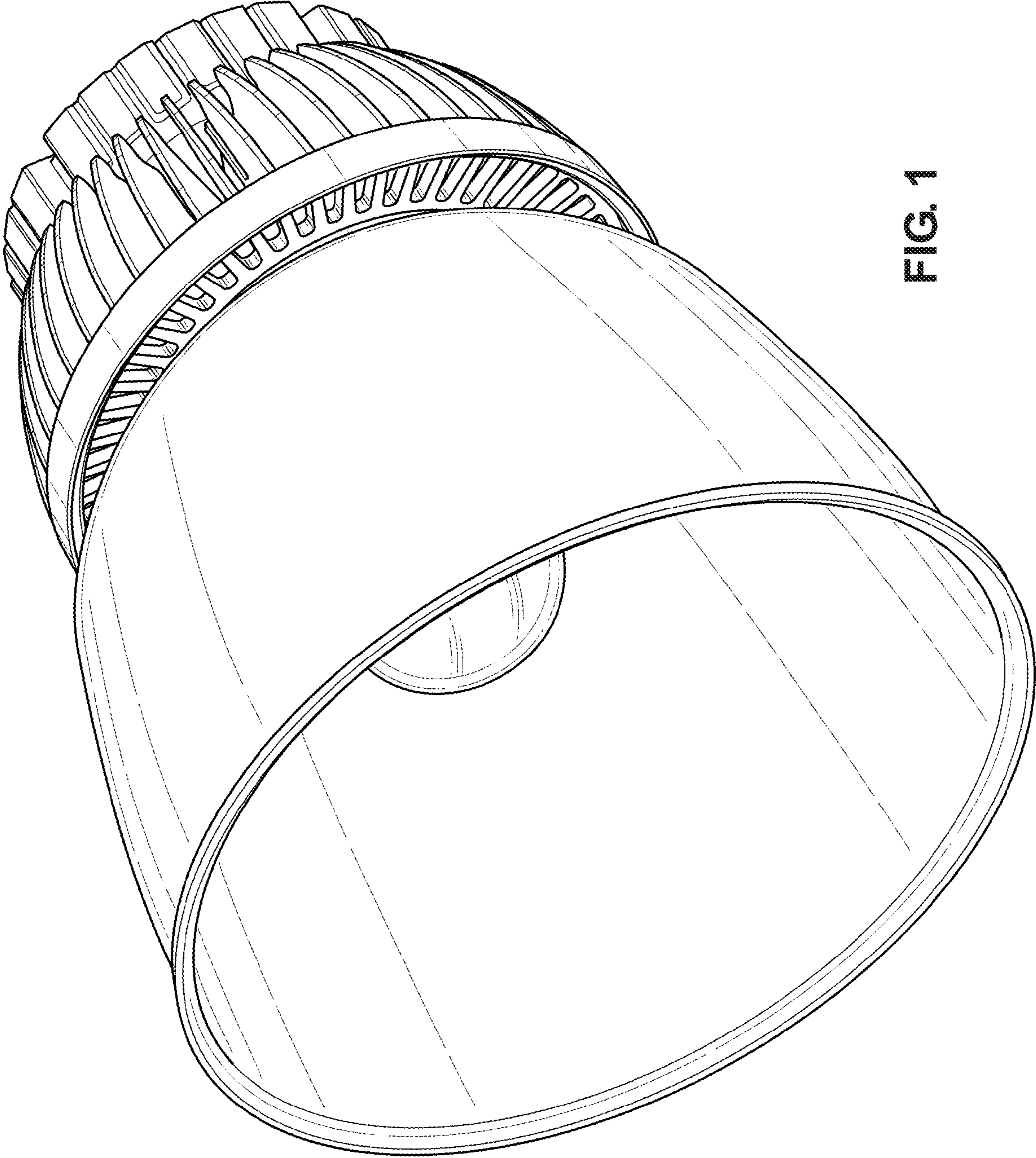


FIG. 1

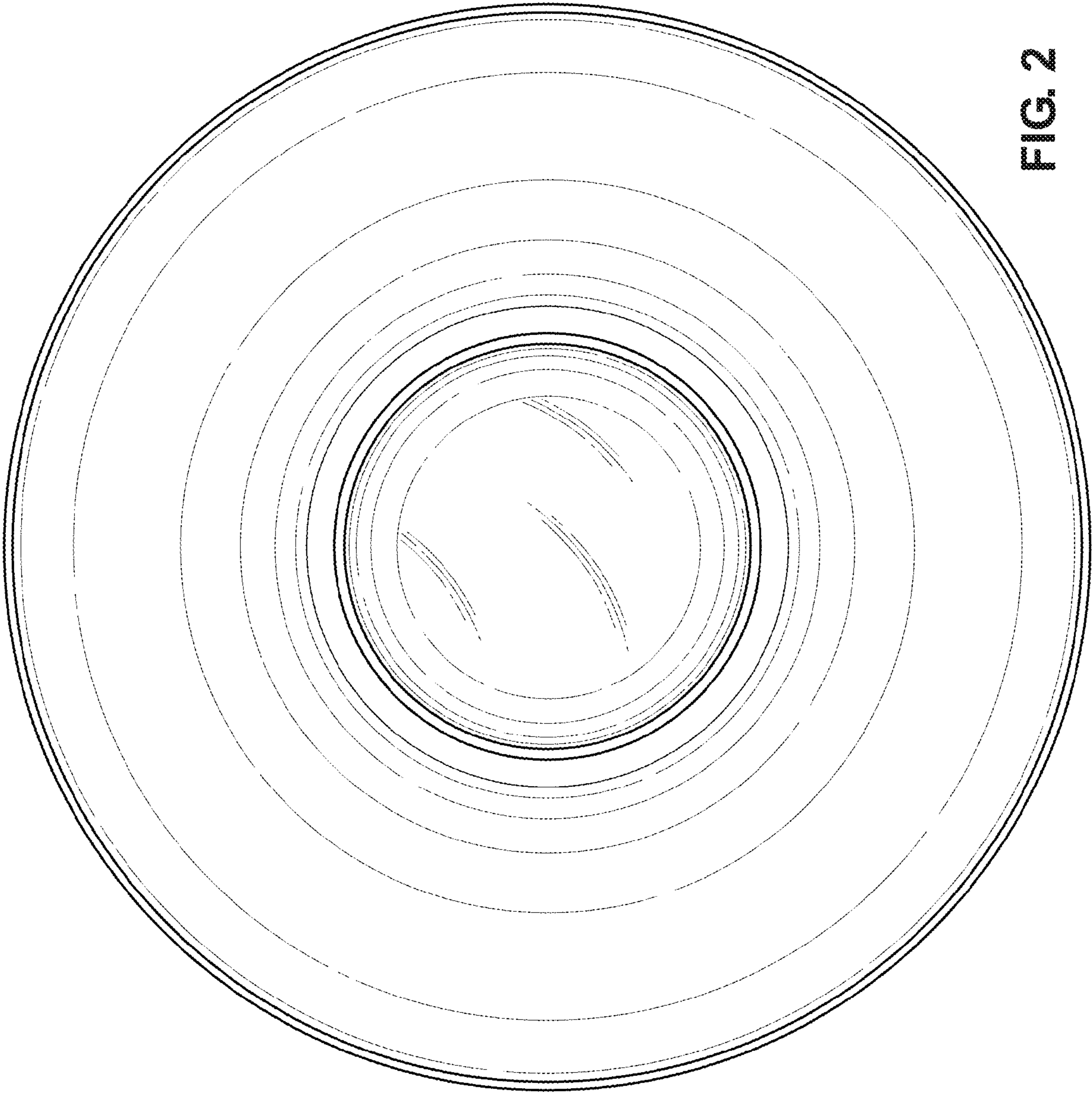


FIG. 2

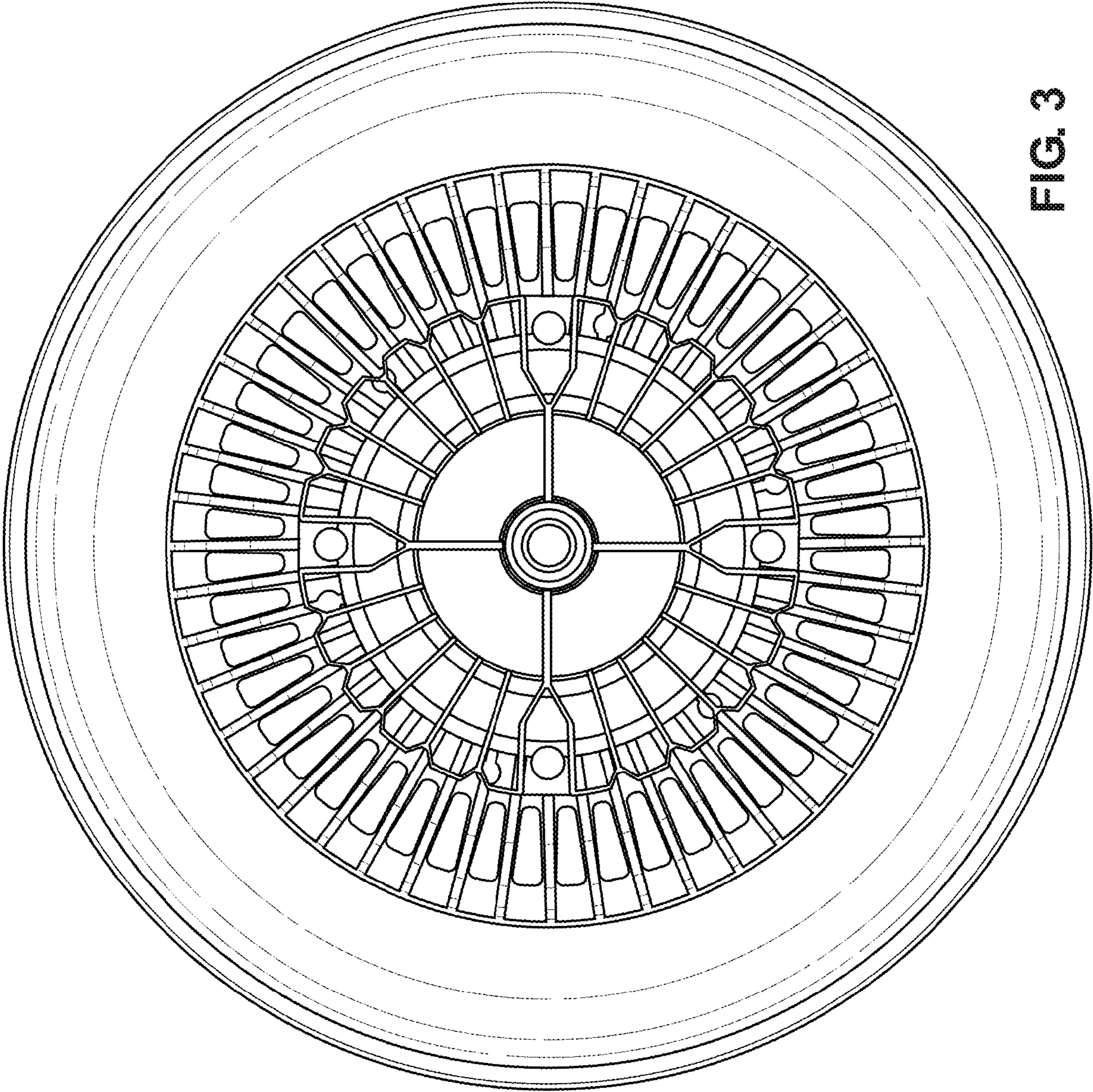


FIG. 3

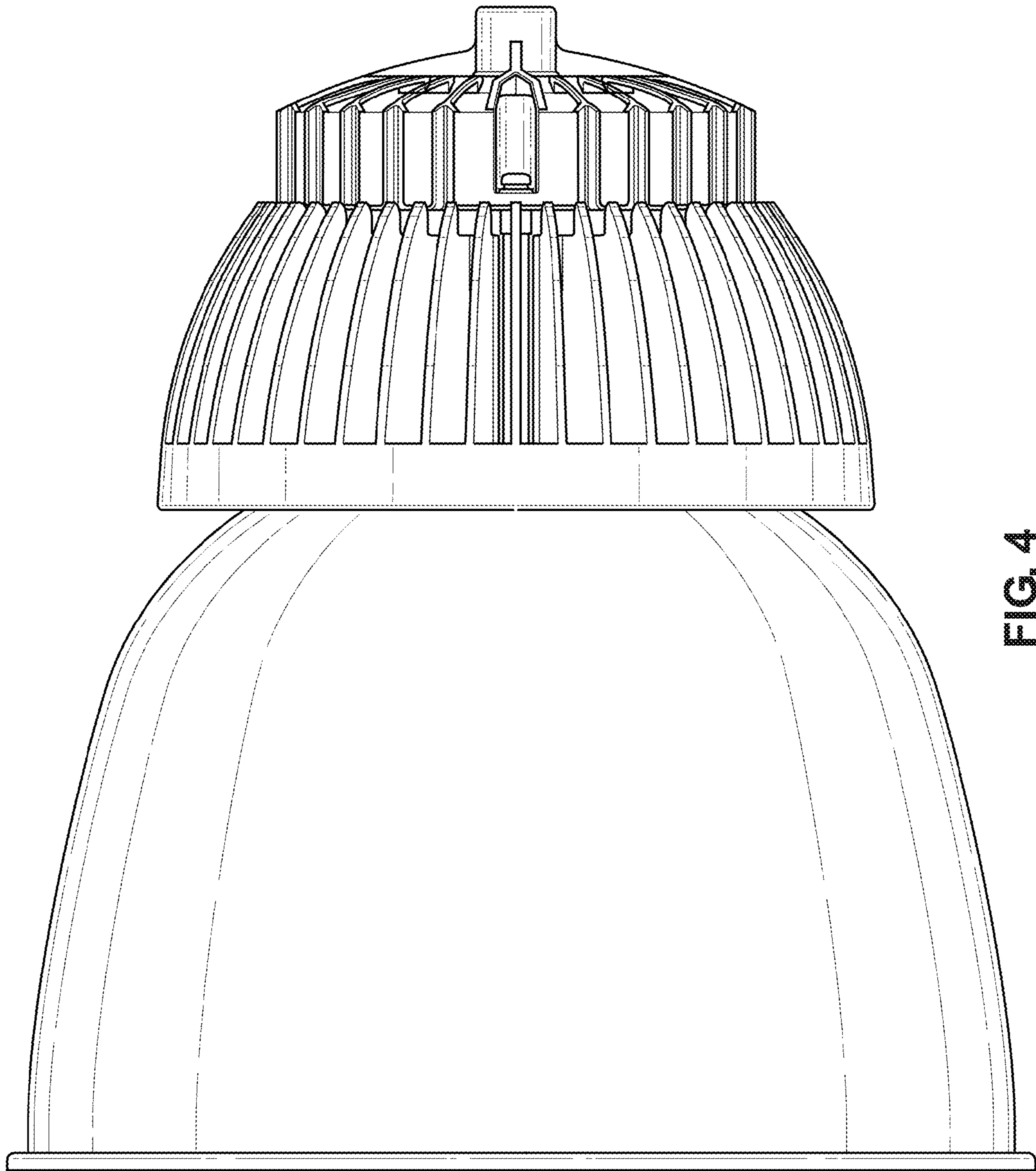


FIG. 4

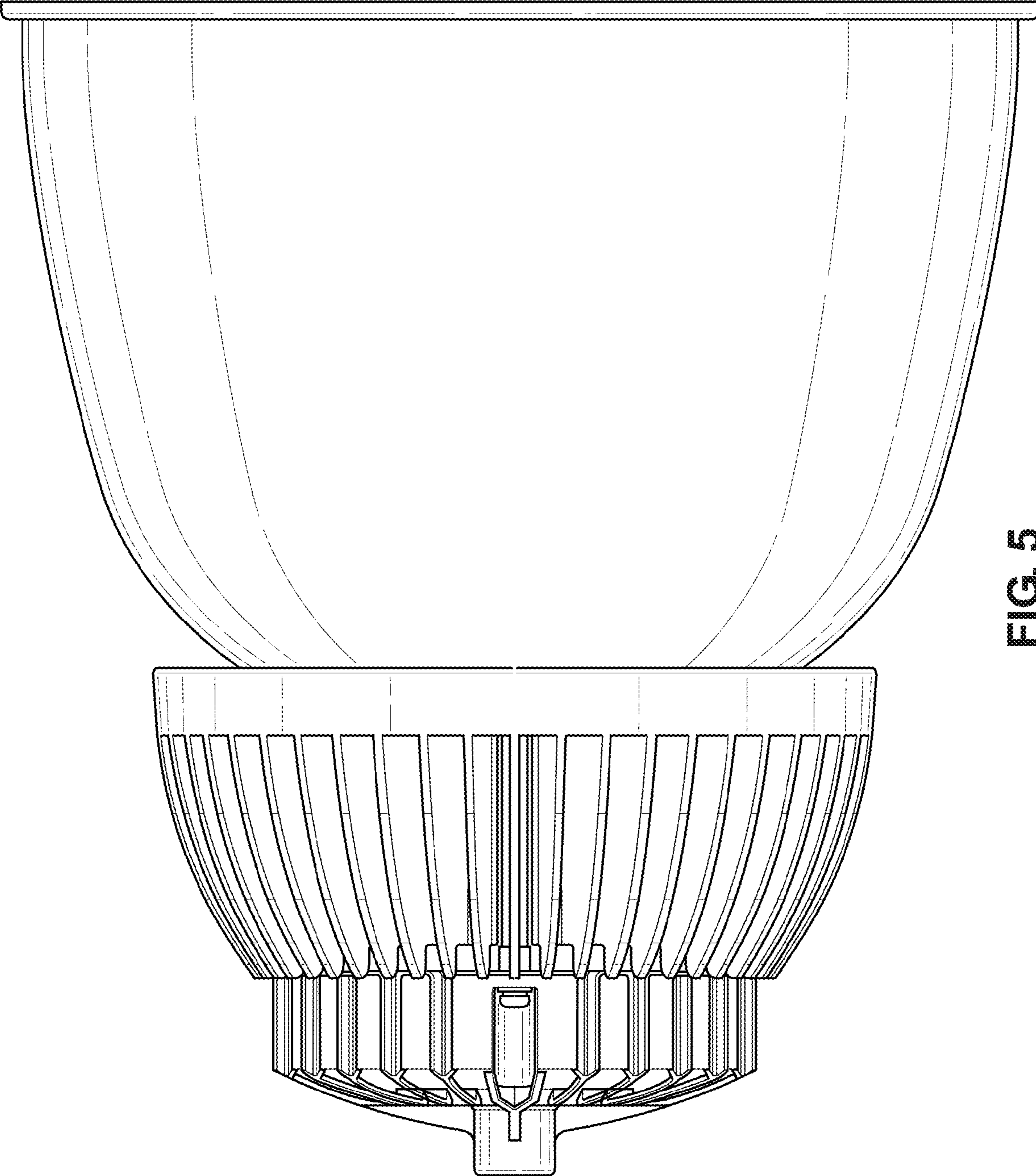


FIG. 5

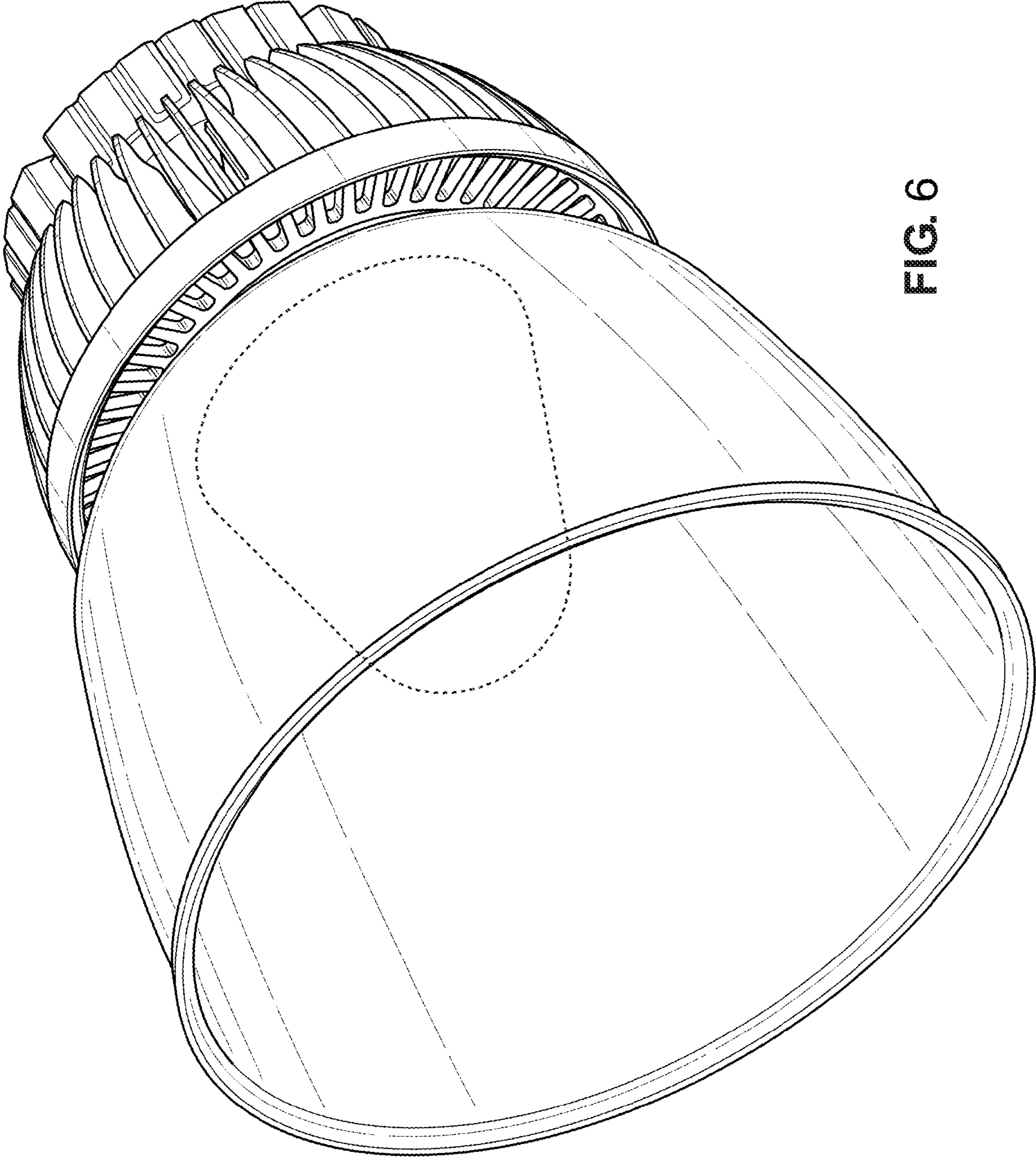


FIG. 6

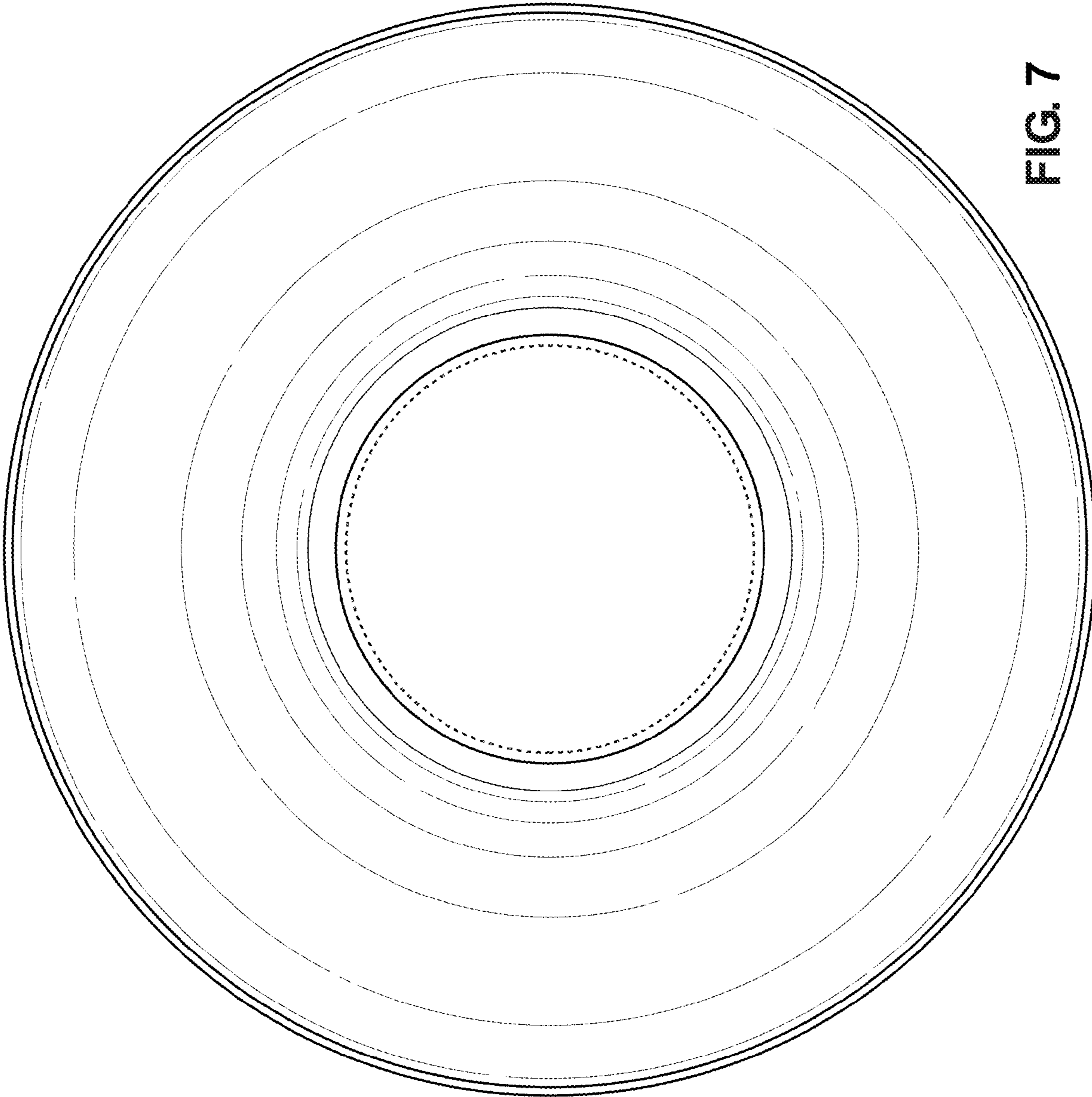


FIG. 7

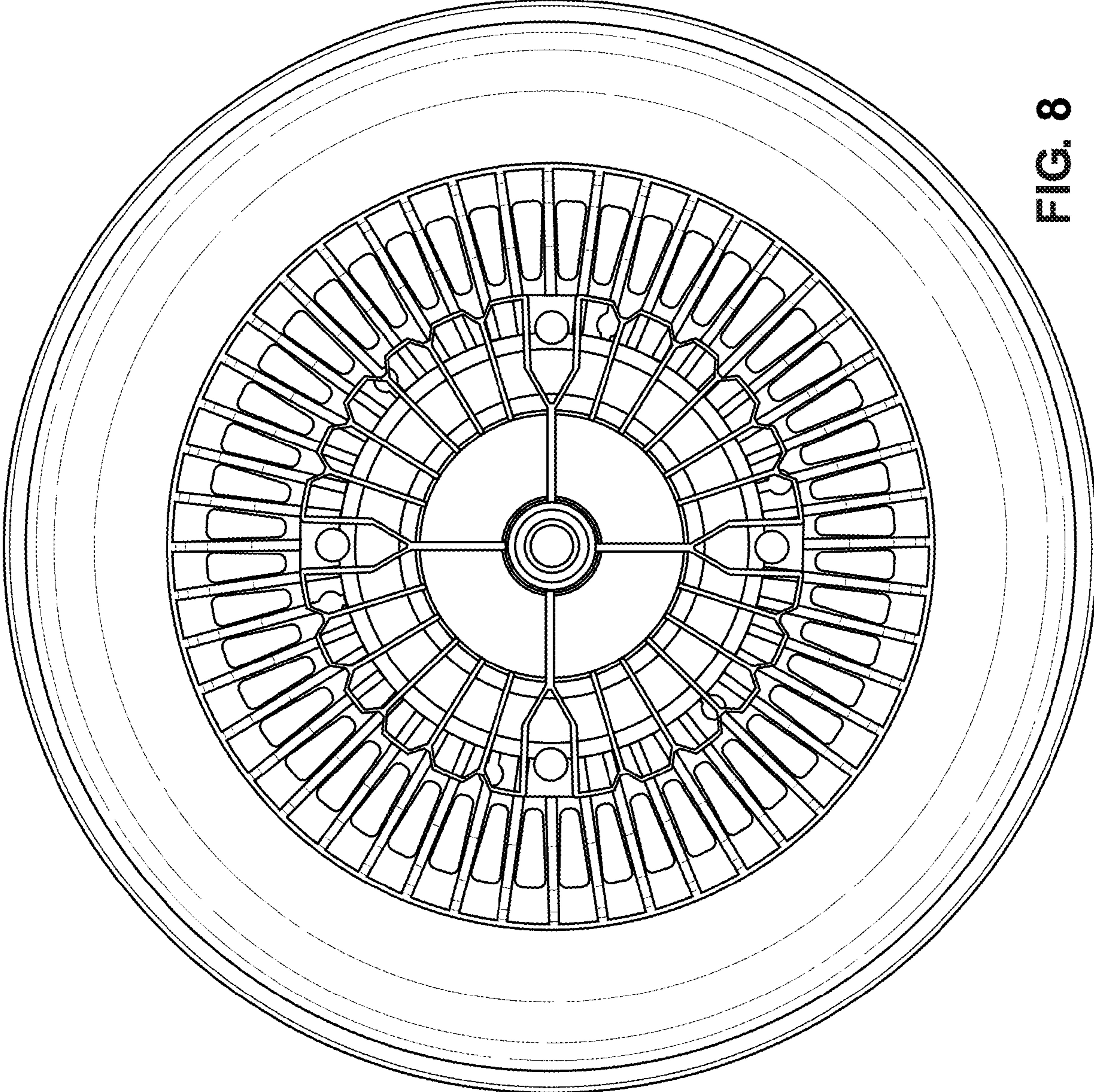
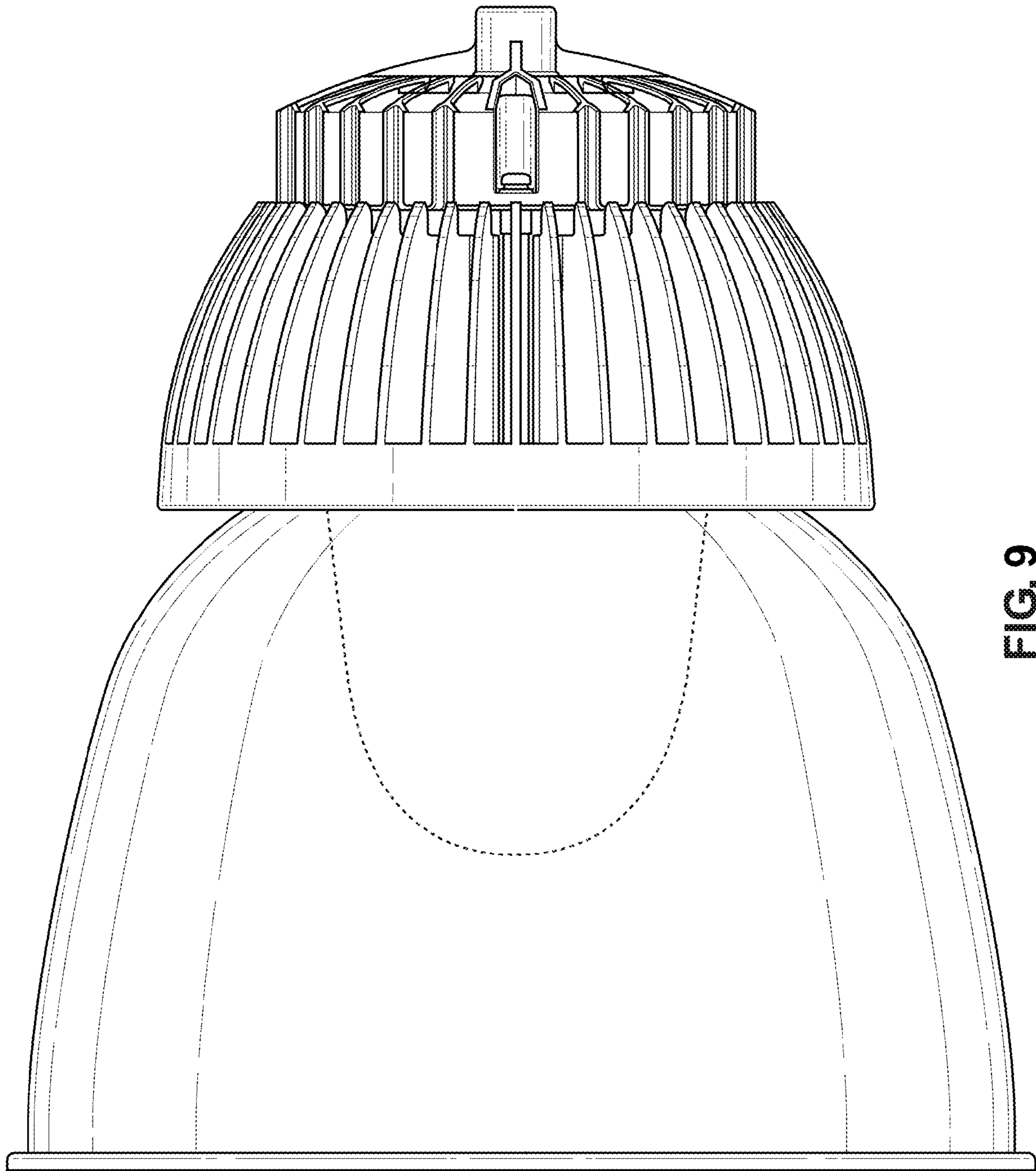


FIG. 8



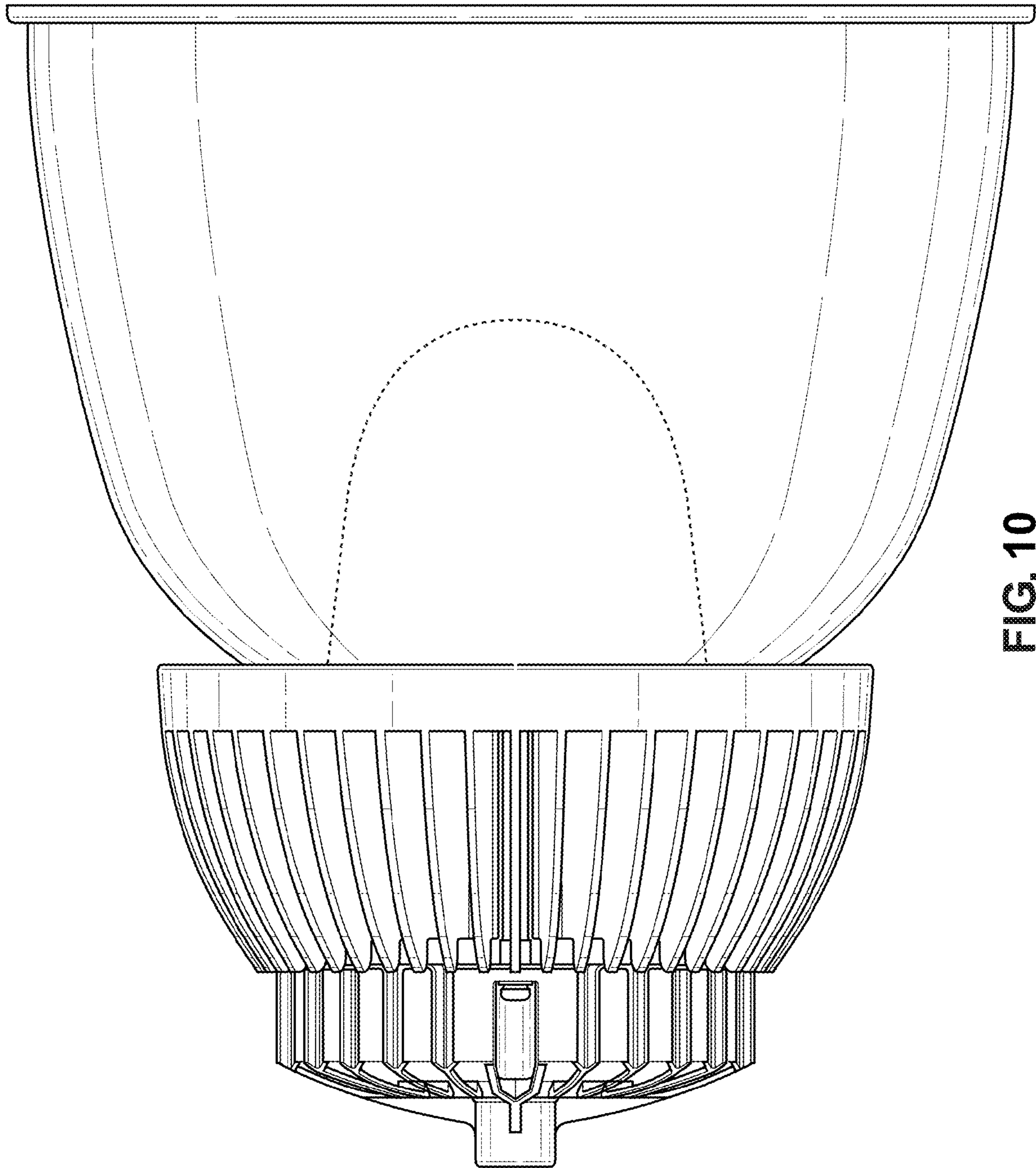


FIG. 10

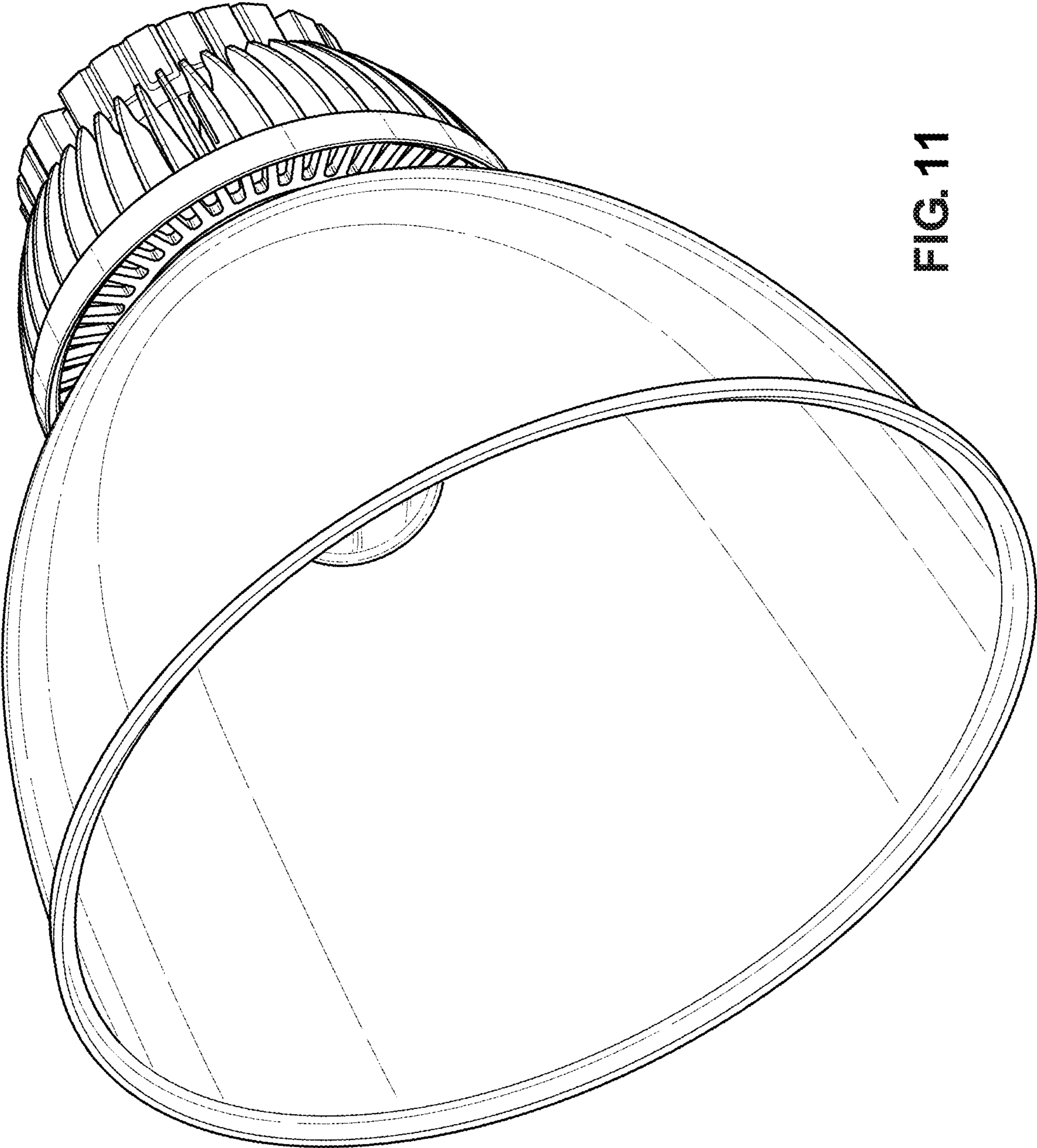


FIG. 11

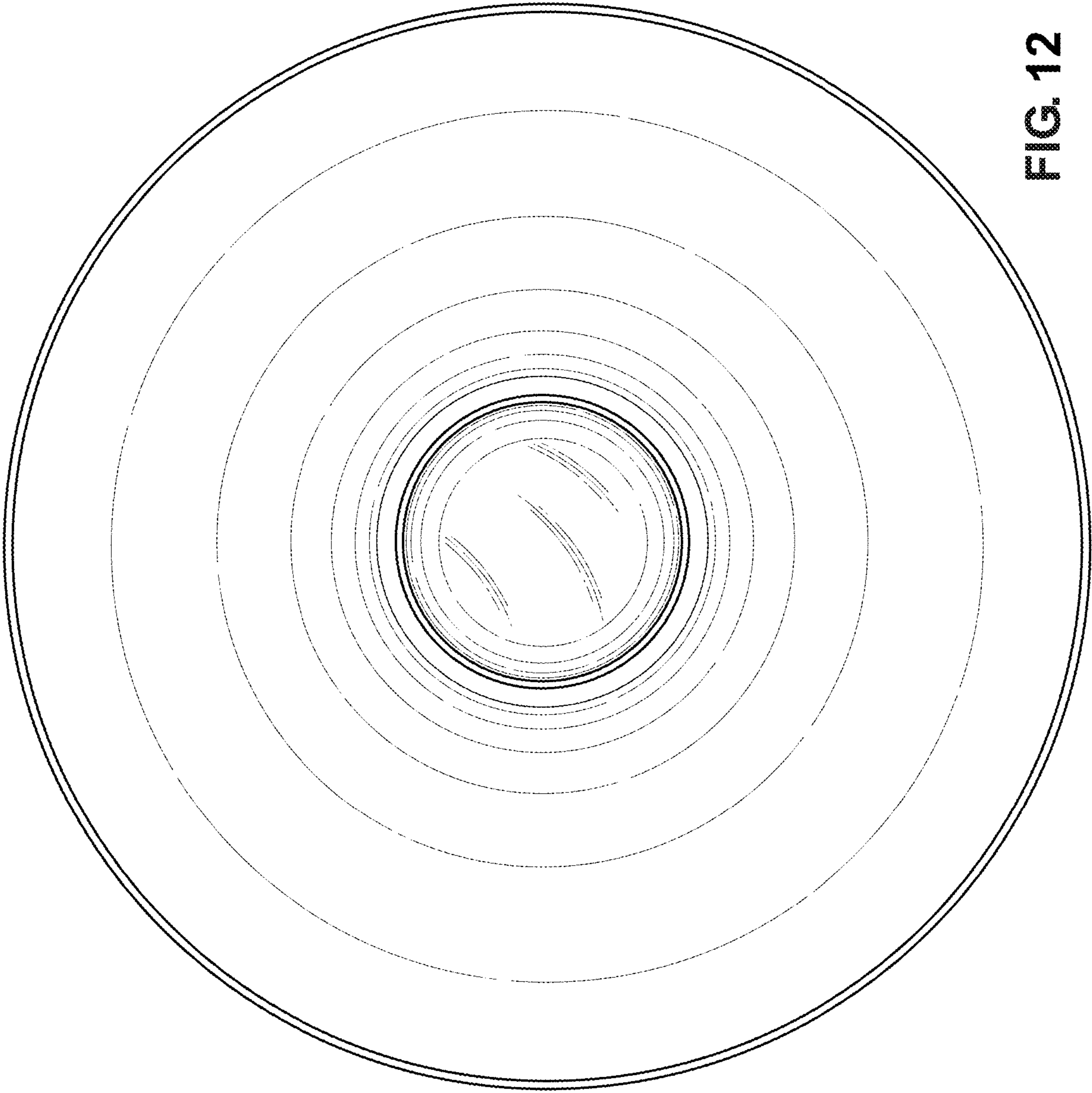


FIG. 12

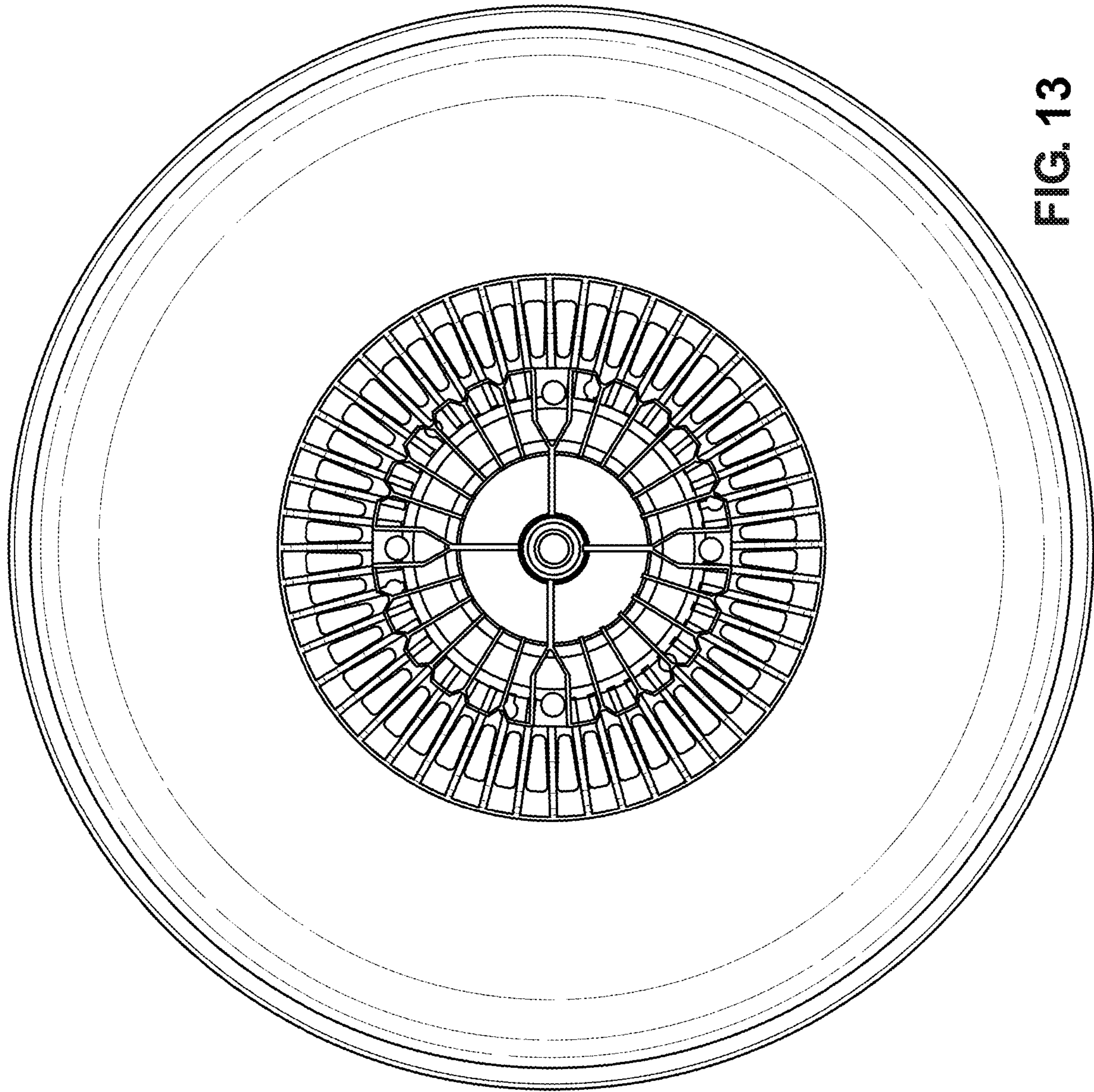


FIG. 13

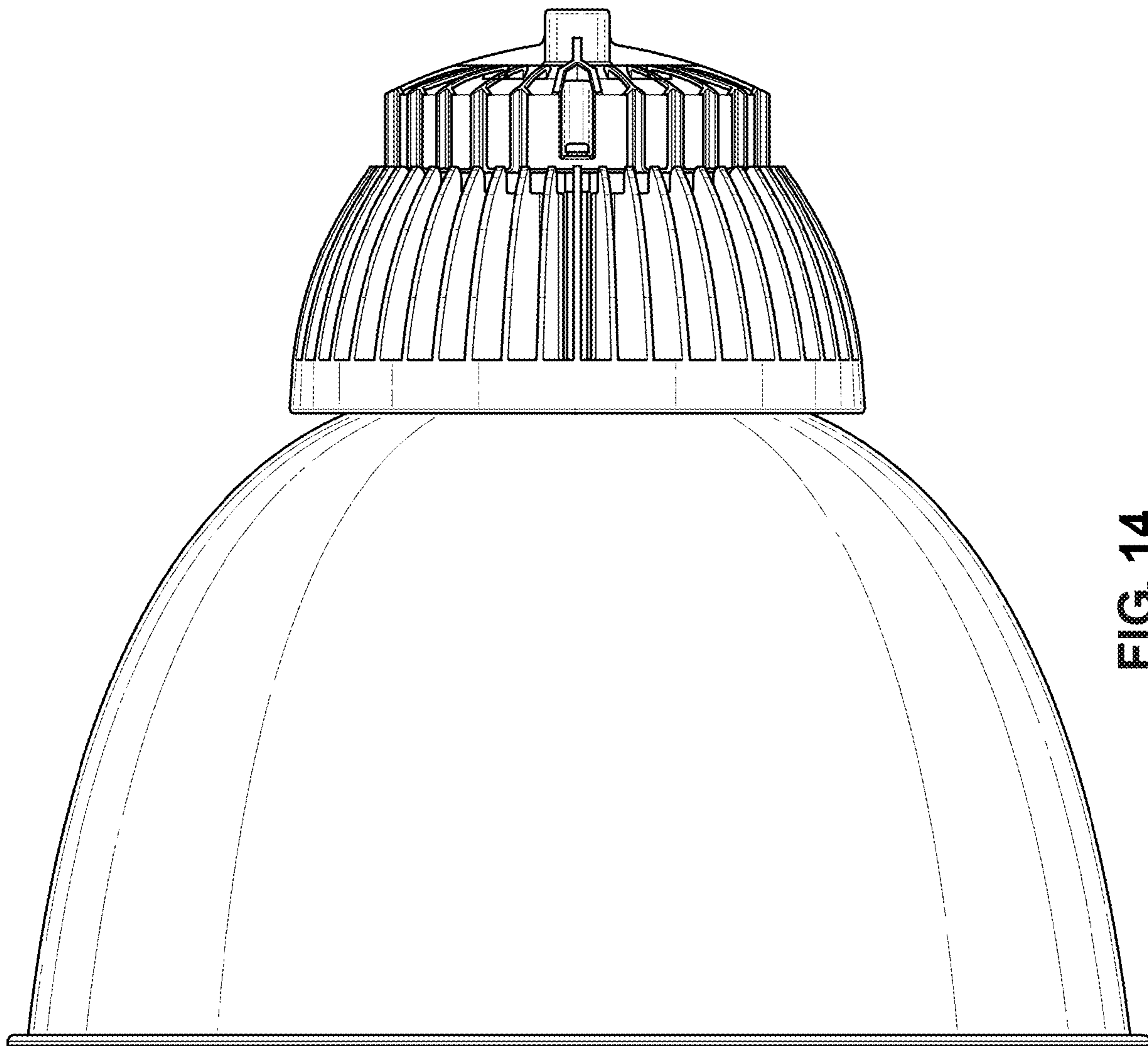


FIG. 14

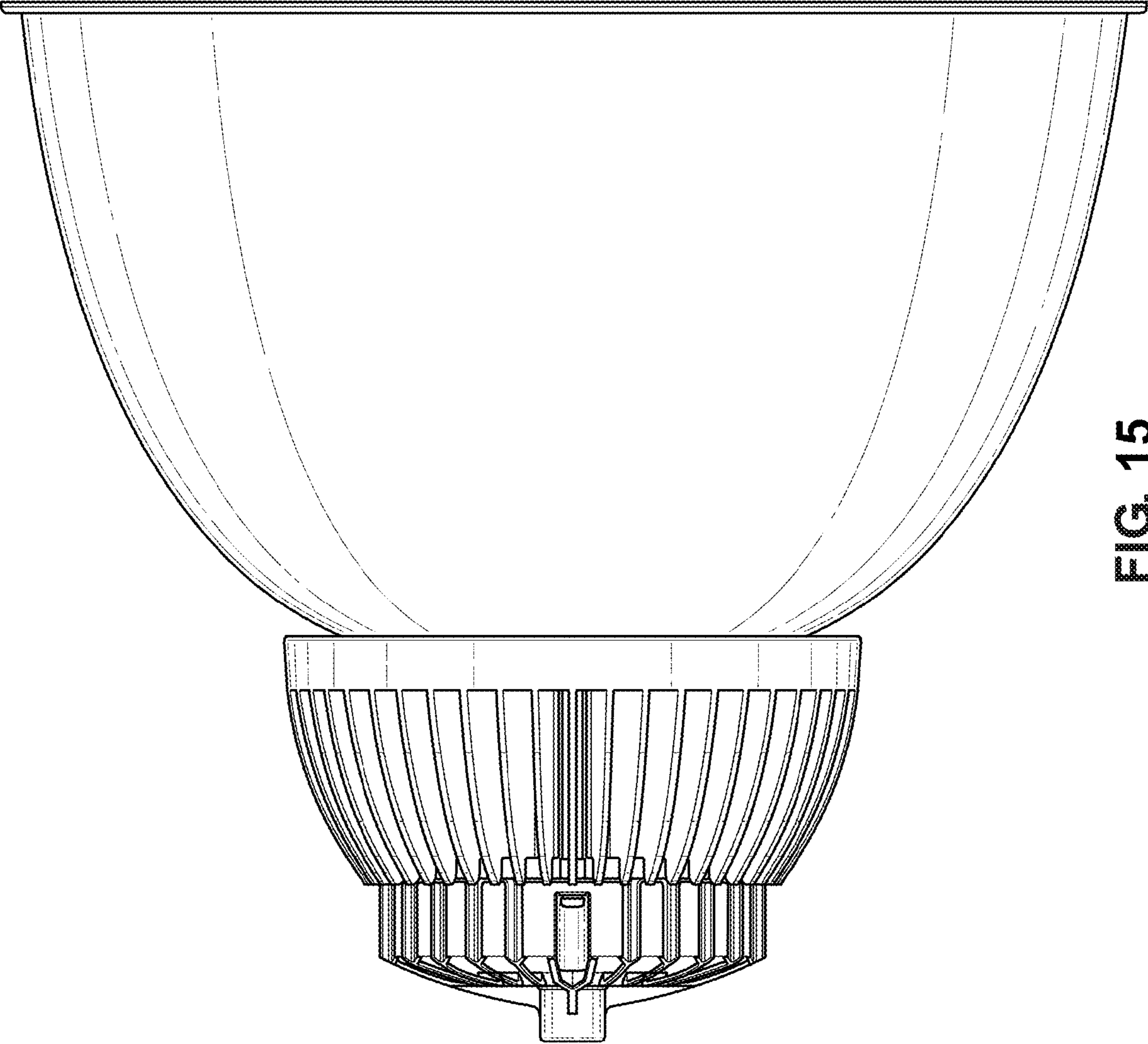


FIG. 15

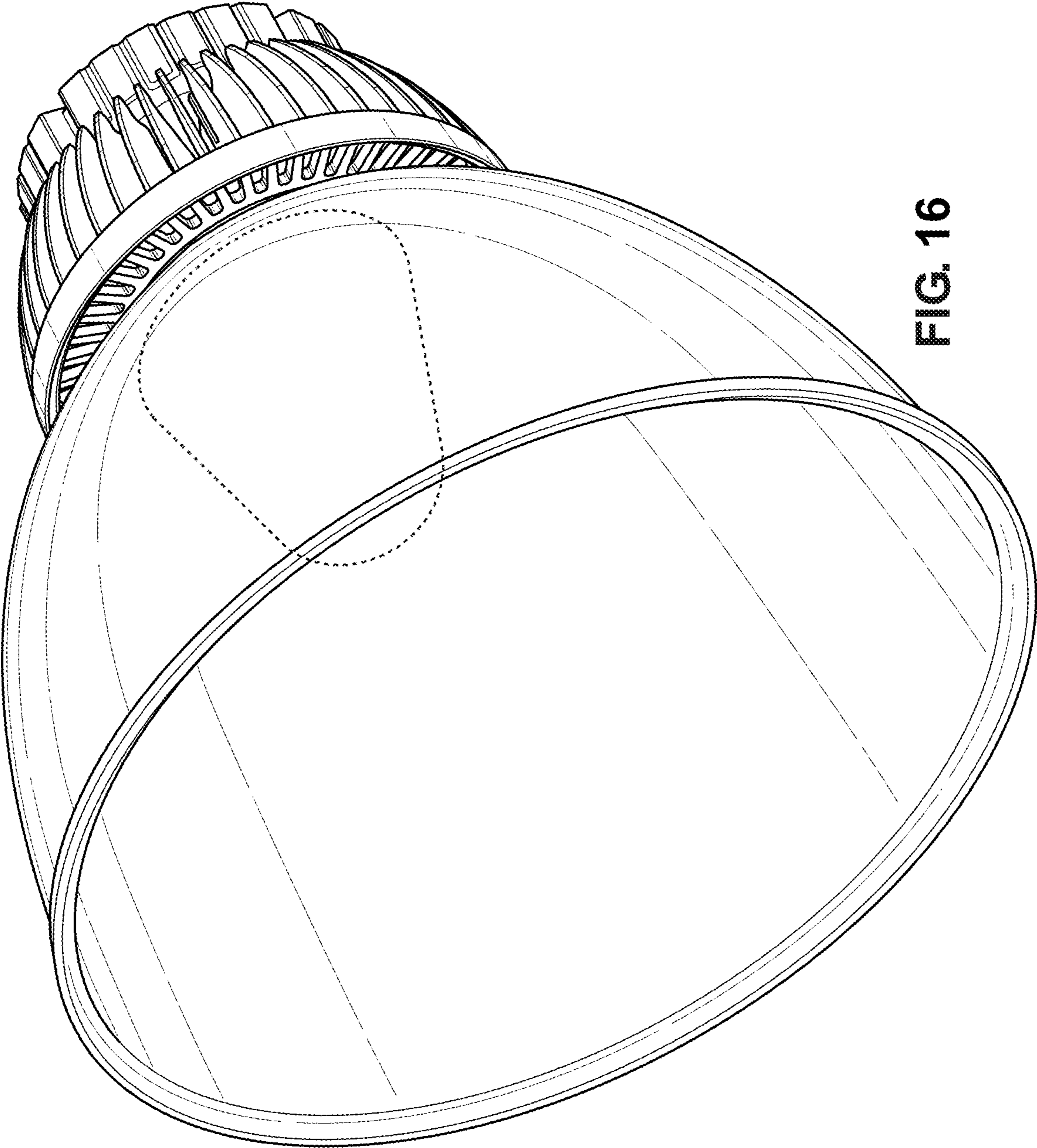


FIG. 16

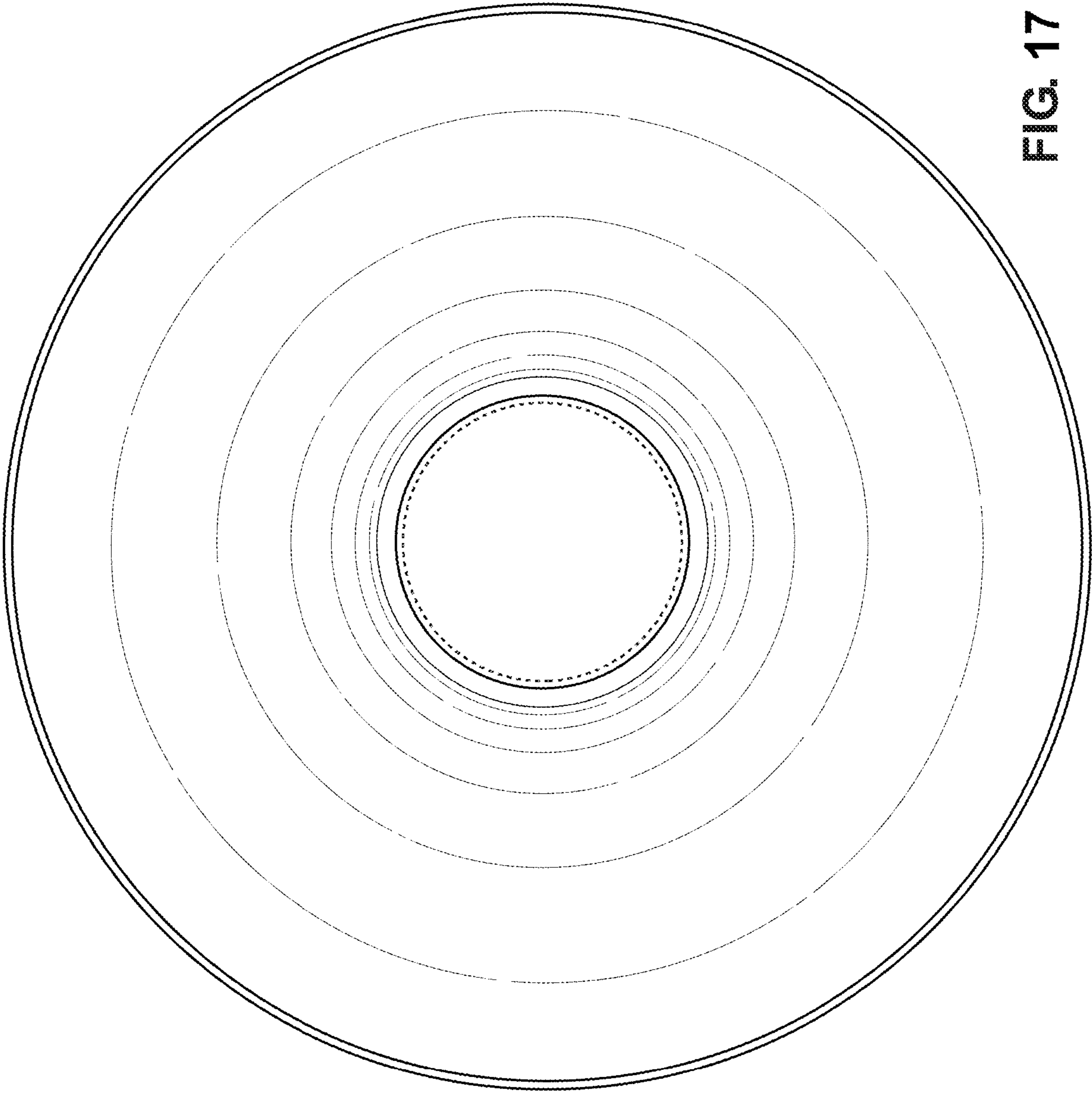


FIG. 17

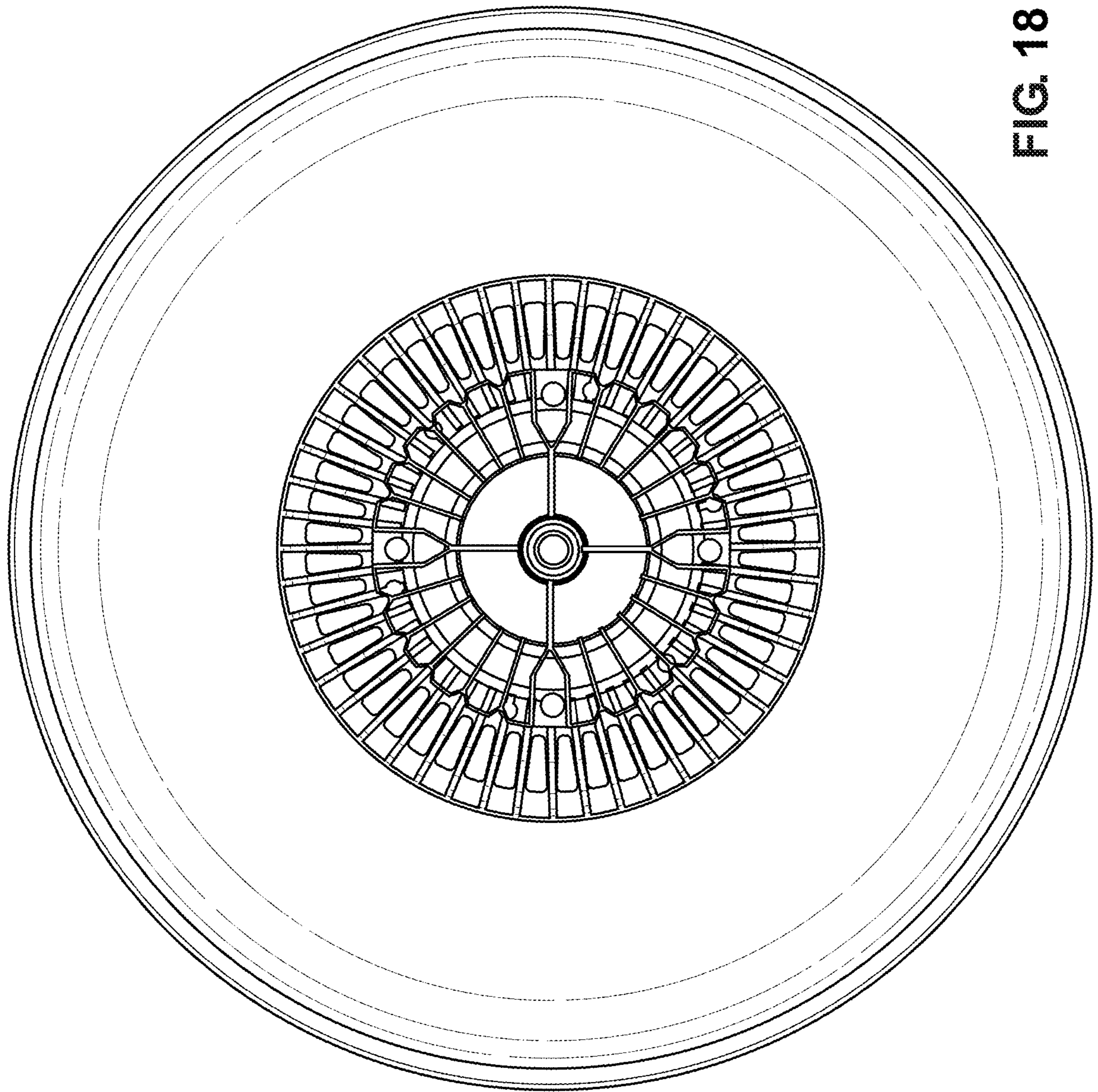


FIG. 18

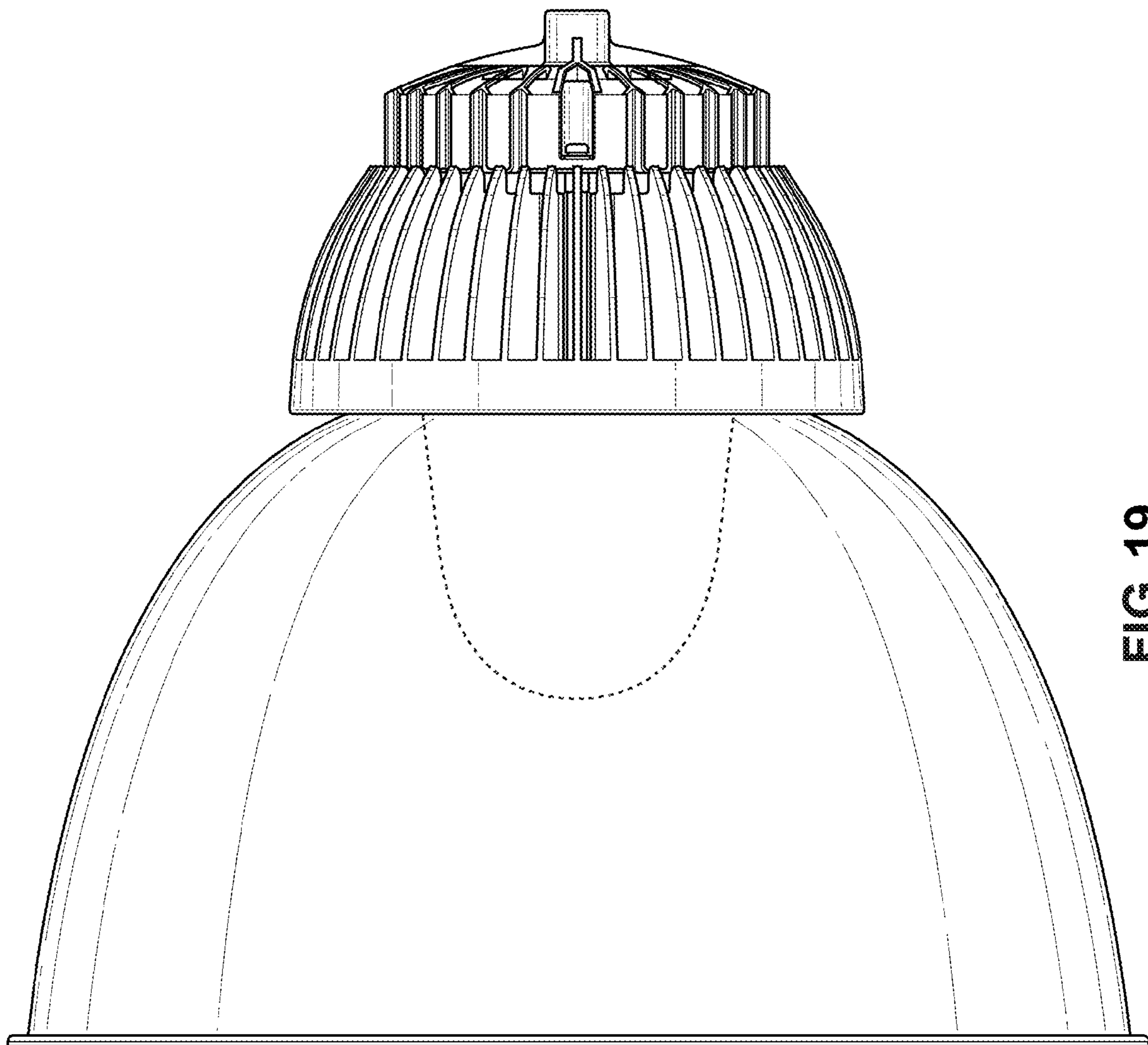


FIG. 19

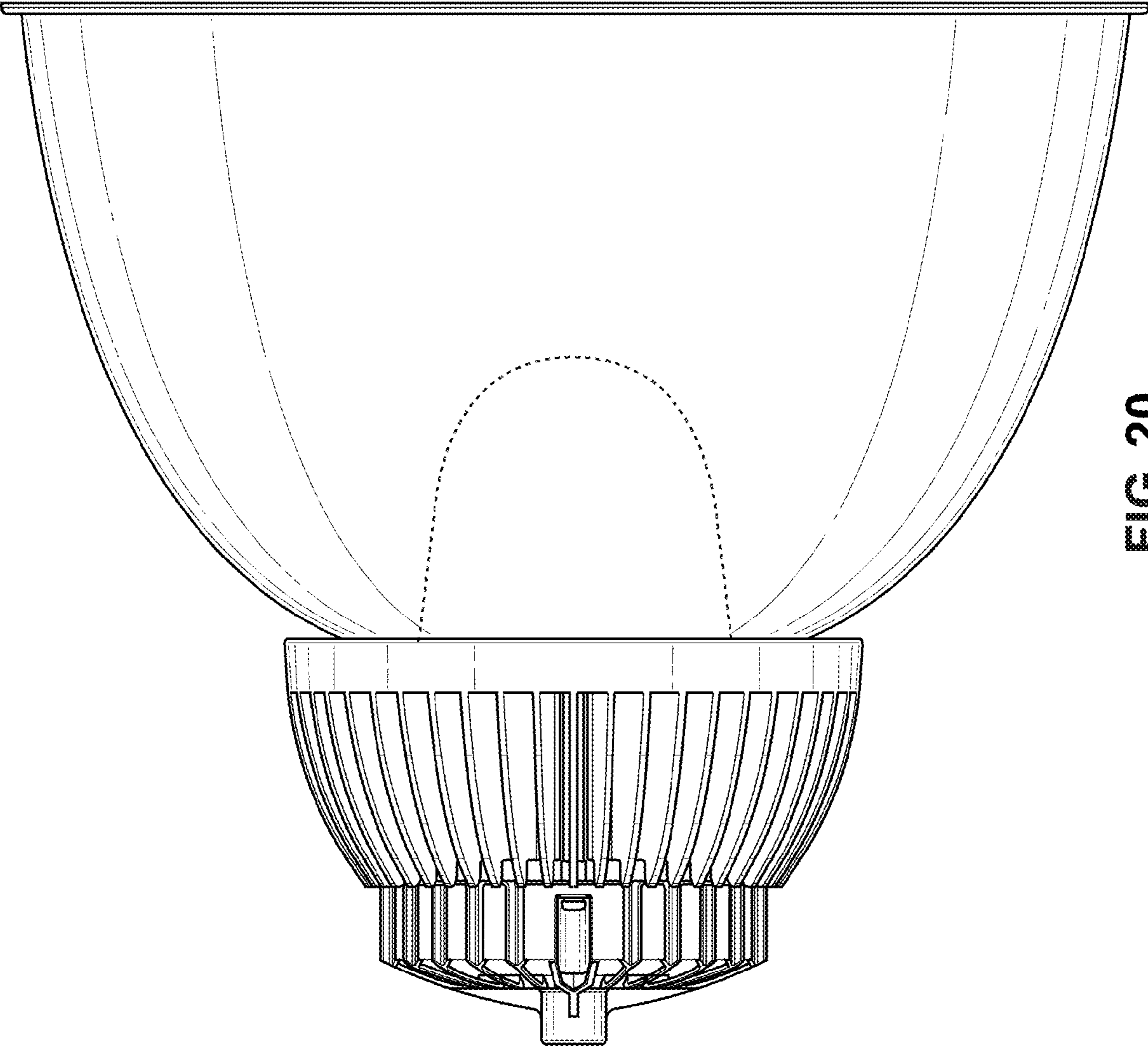


FIG. 20