



US00D881447S

(12) **United States Design Patent**
Hu

(10) **Patent No.:** **US D881,447 S**

(45) **Date of Patent:** **** Apr. 14, 2020**

(54) **SOLAR LAMP**

(71) Applicant: **SHENZHEN QIANHAI PATUOXUN NETWORK AND TECHNOLOGY CO., LTD**, Shenzhen (CN)

(72) Inventor: **Zaihui Hu**, Shenzhen (CN)

(73) Assignee: **SHENZHEN QIANHAI PATUOXUN NETWORK AND TECHNOLOGY CO., LTD**, Shenzhen (CN)

(**) Term: **15 Years**

(21) Appl. No.: **29/719,338**

(22) Filed: **Jan. 3, 2020**

Related U.S. Application Data

(63) Continuation of application No. 29/705,925, filed on Sep. 17, 2019, now Pat. No. Des. 875,289.

(51) **LOC (12) Cl.** **26-99**

(52) **U.S. Cl.**
USPC **D26/120**

(58) **Field of Classification Search**
USPC D26/63, 67-70, 113, 118, 120, 123, 124
CPC F21S 6/004; F21S 6/005; F21S 8/08; F21S 8/081; F21S 8/083; F21S 8/088; F21S 9/03; F21S 9/032; F21S 9/035; F21S 9/037; F21W 2131/109; F21W 2111/023; F21V 21/0824

See application file for complete search history.

(56) **References Cited**

U.S. PATENT DOCUMENTS

D647,234 S	10/2011	Izardel	
D712,087 S *	8/2014	Kjaergaard Toft	D26/123
D753,333 S *	4/2016	Hamasaki	D26/120
D810,342 S *	2/2018	Chen	D26/68
D845,530 S *	4/2019	Yu	D26/63
D848,045 S *	5/2019	Liao	D26/63
D851,799 S *	6/2019	Liu	D26/63
D852,398 S *	6/2019	Liu	D26/63
D861,232 S *	9/2019	McClow	D26/120
D869,037 S *	12/2019	Owens	D26/63
D875,289 S *	2/2020	Hu	D26/63

* cited by examiner

Primary Examiner — Brian N. Vinson

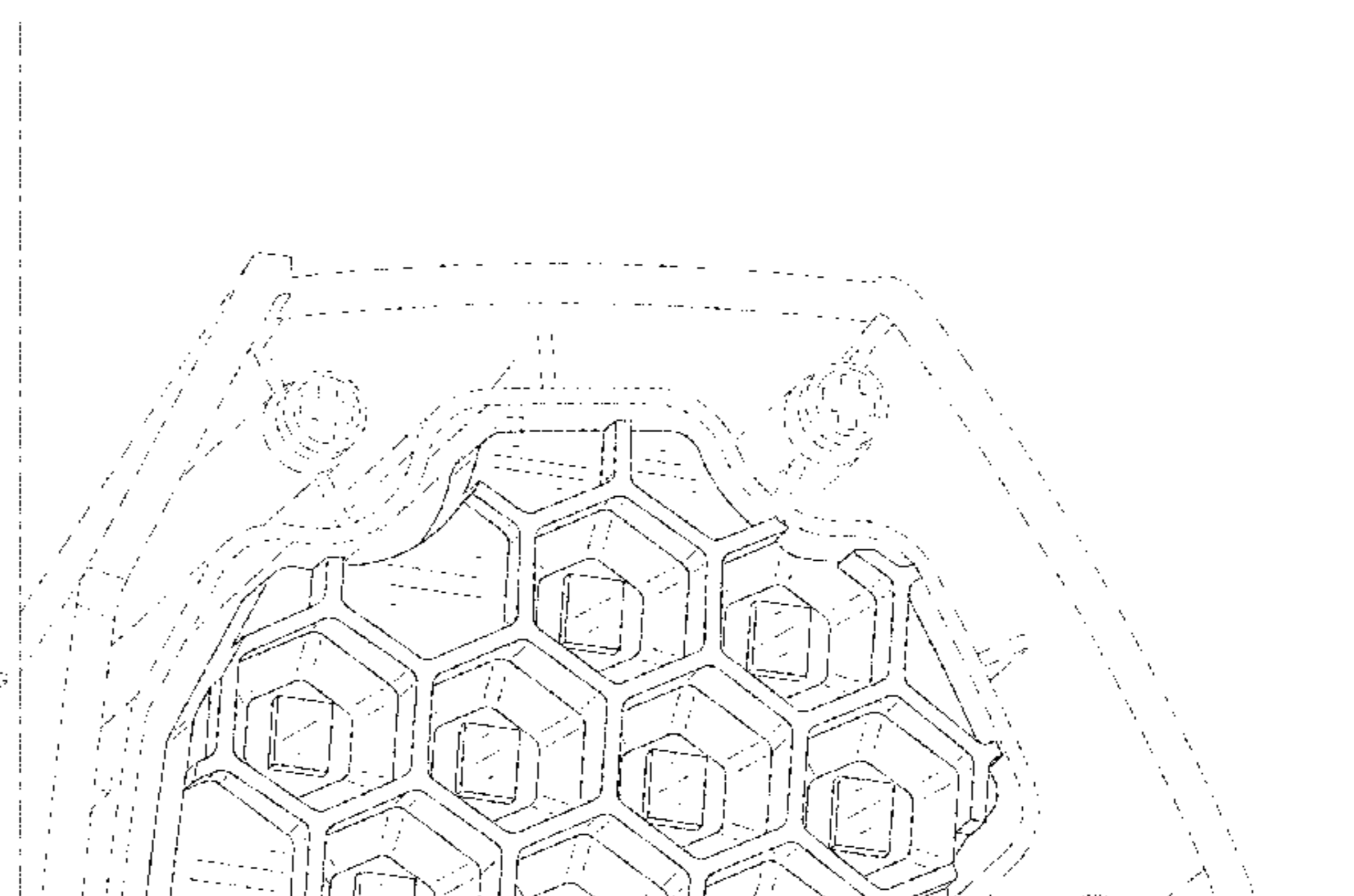
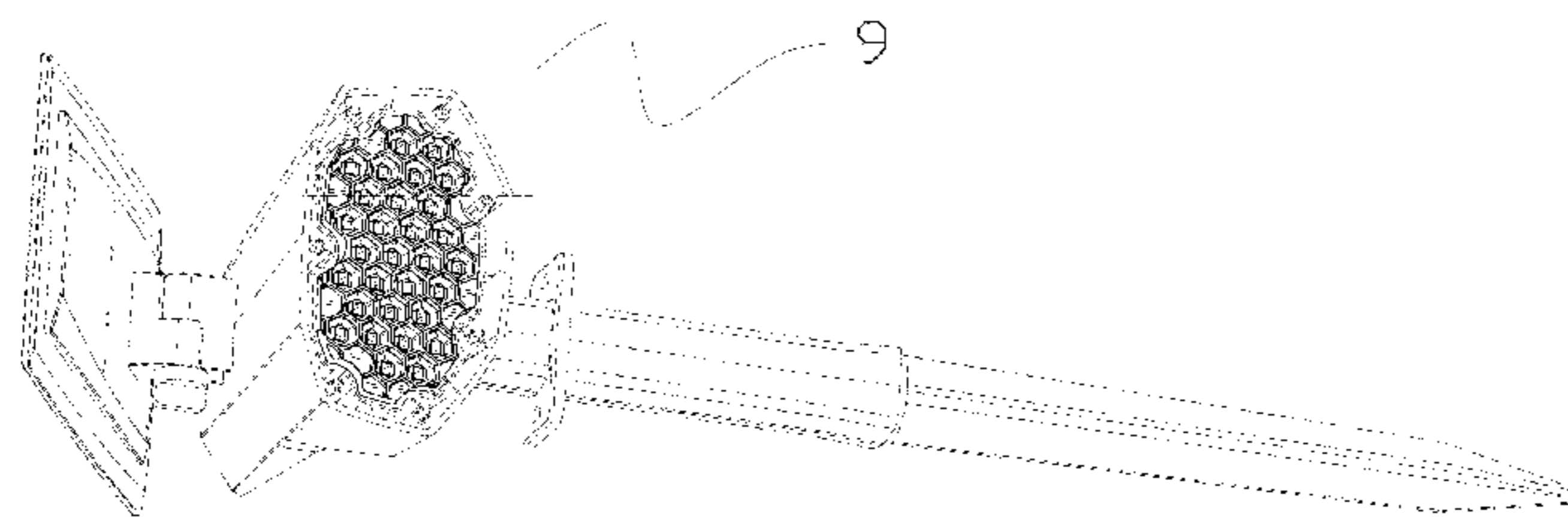
(57) **CLAIM**

The ornamental design for a solar lamp, as shown and described.

DESCRIPTION

FIG. 1 is a perspective view of a solar lamp showing my new design;
FIG. 2 is another perspective view thereof;
FIG. 3 is a front elevational view thereof;
FIG. 4 is a rear elevational view thereof;
FIG. 5 is a left side elevational view thereof;
FIG. 6 is a right side elevational view thereof;
FIG. 7 is a top plan view thereof;
FIG. 8 is a bottom plan view thereof; and,
FIG. 9 is an enlarged view of portion 9 shown in FIG. 1.
The broken lines in the drawings depict portions of the solar lamp that form no part of the claimed design.

1 Claim, 9 Drawing Sheets



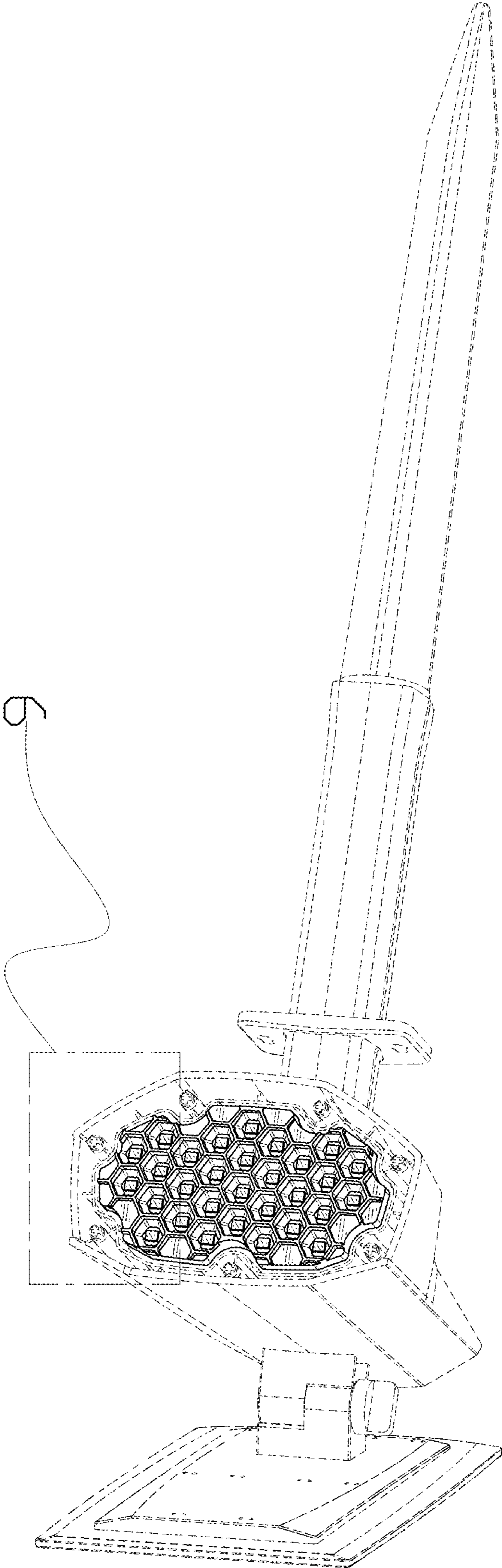


FIG. 1

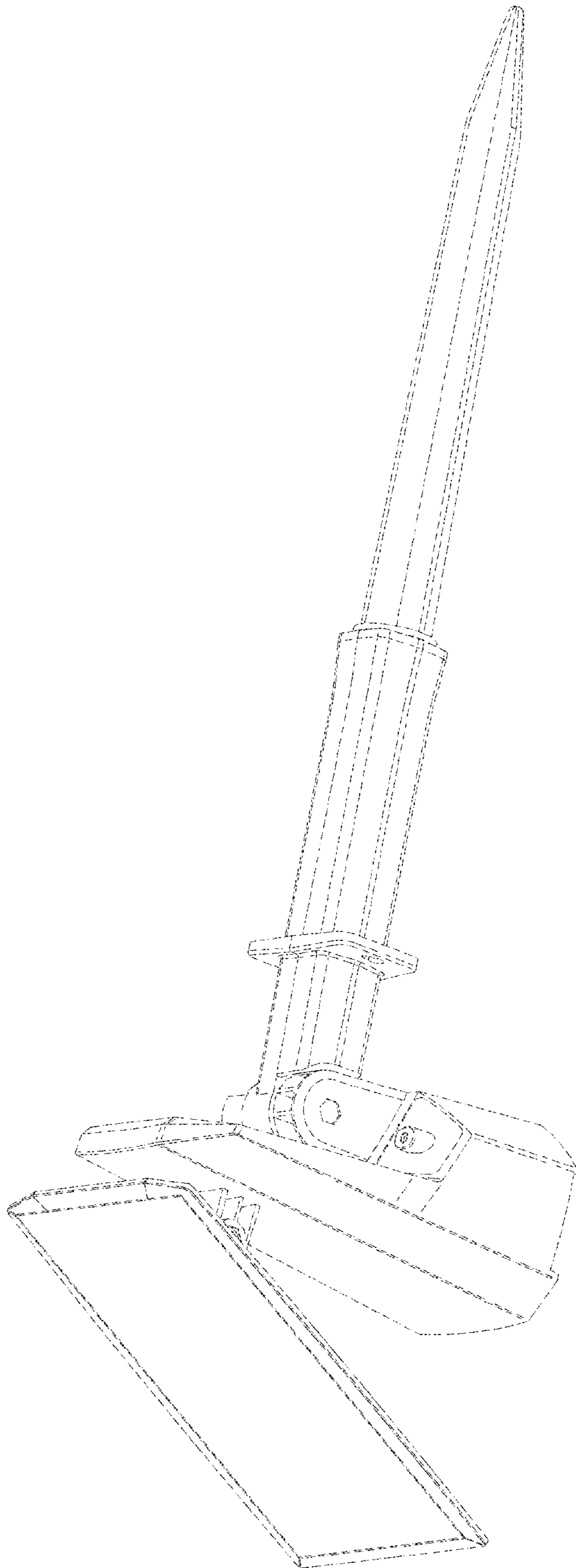


FIG. 2

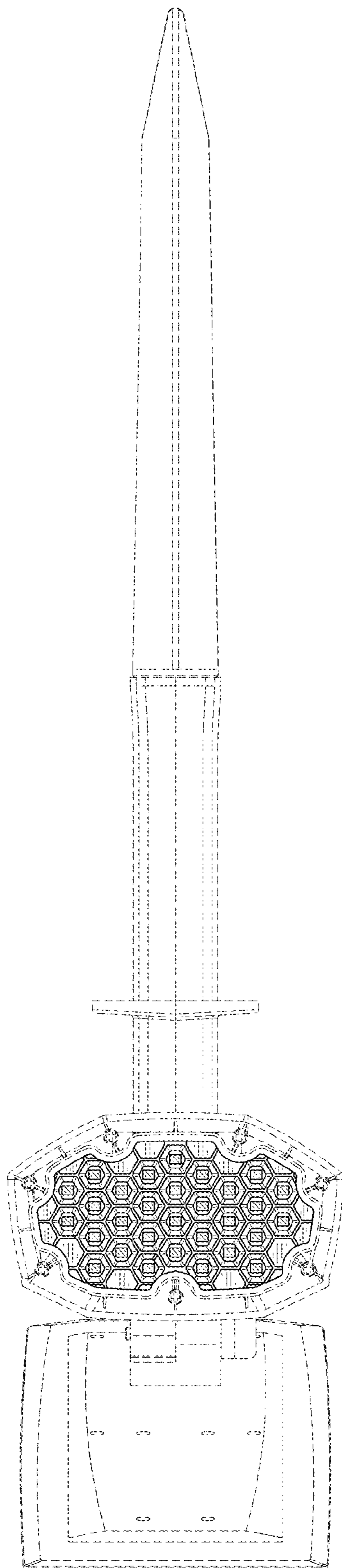


FIG. 3

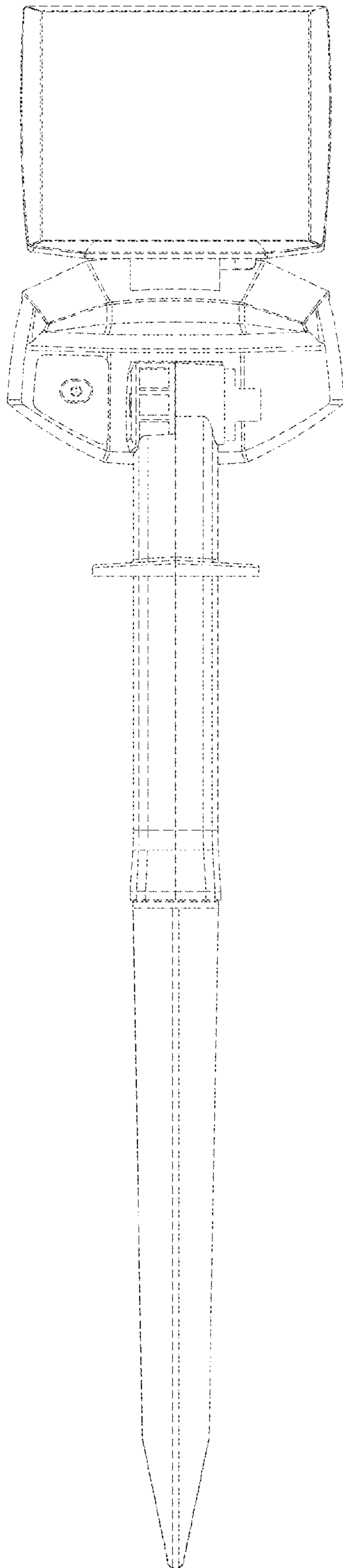


FIG. 4

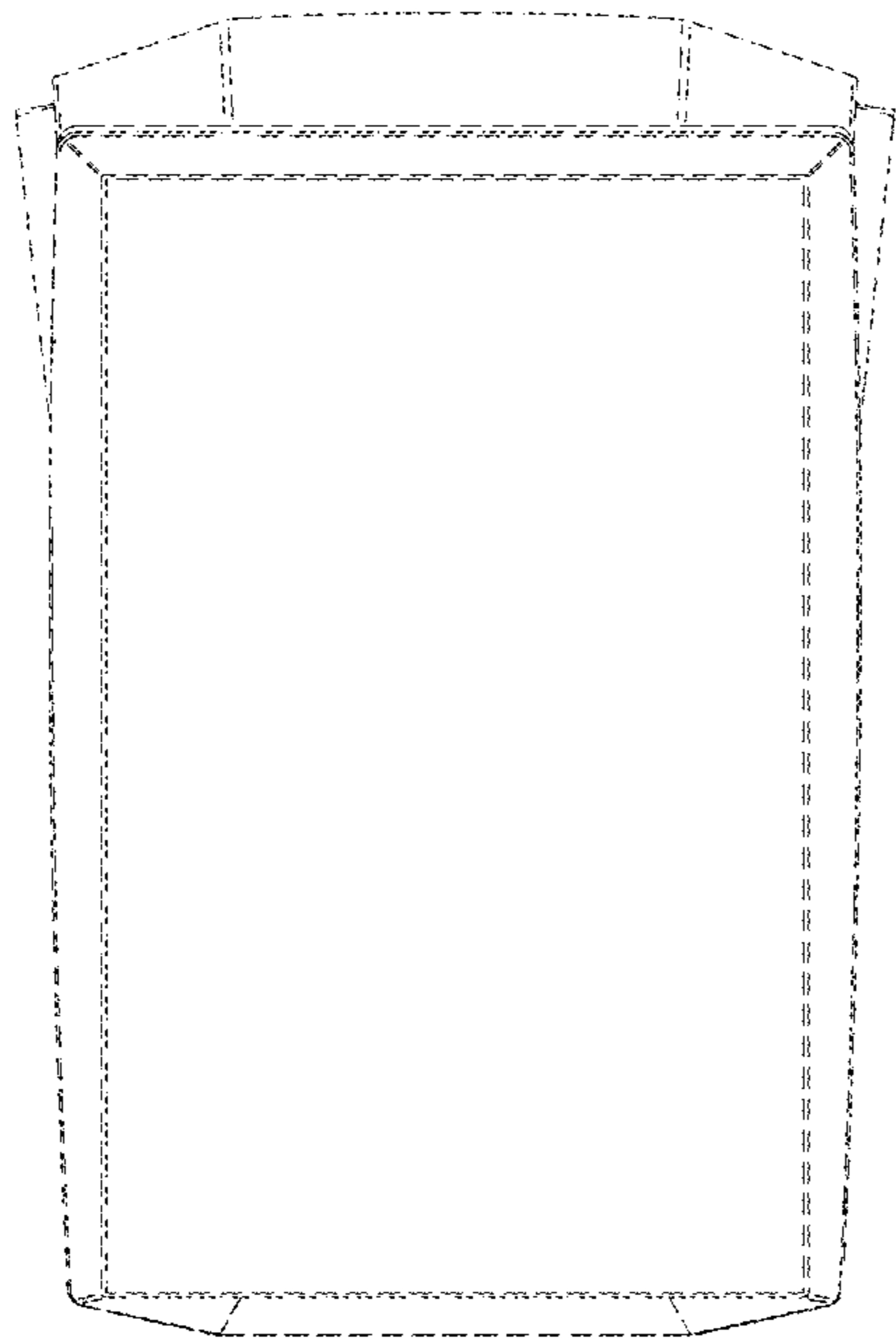


FIG. 5

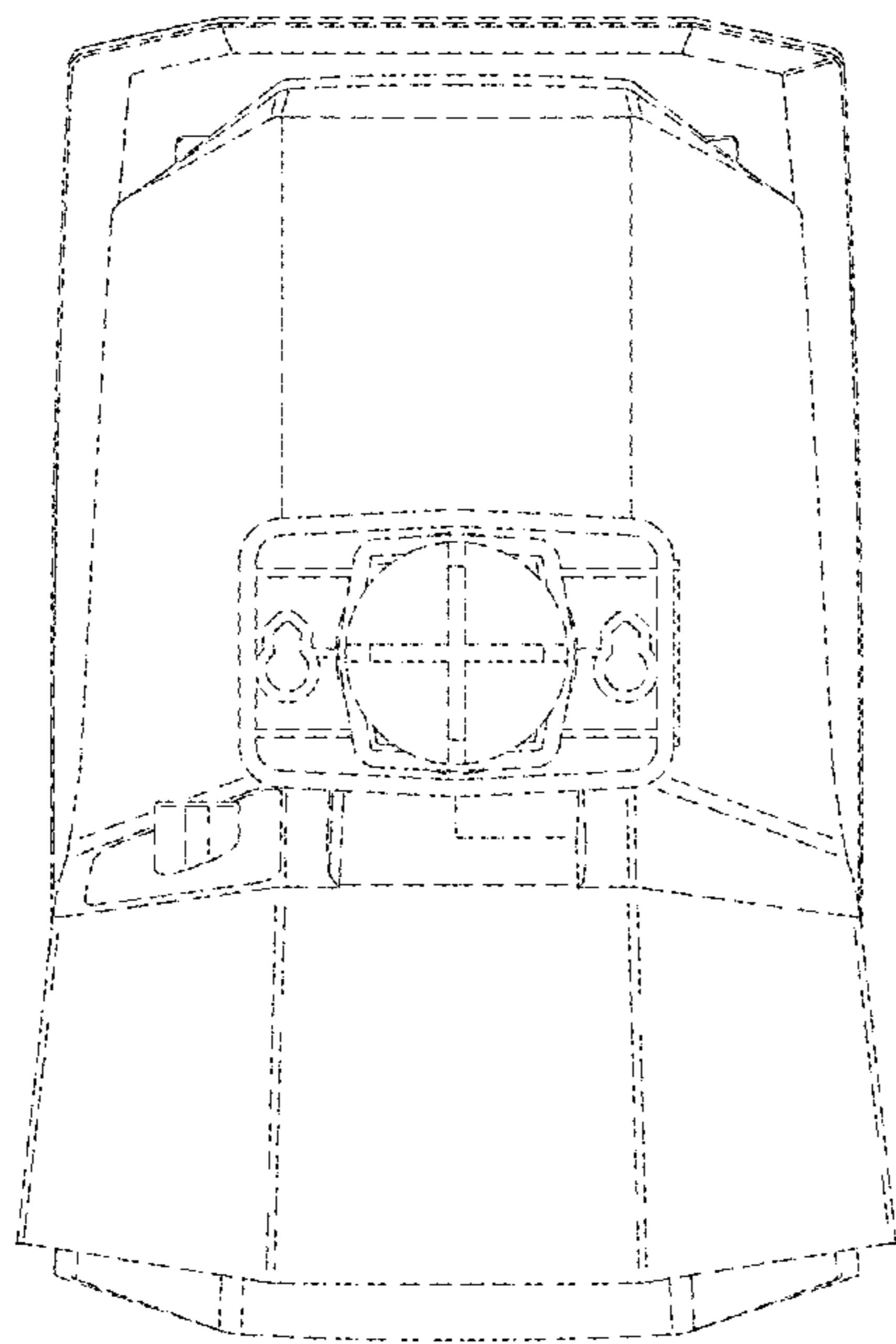


FIG. 6

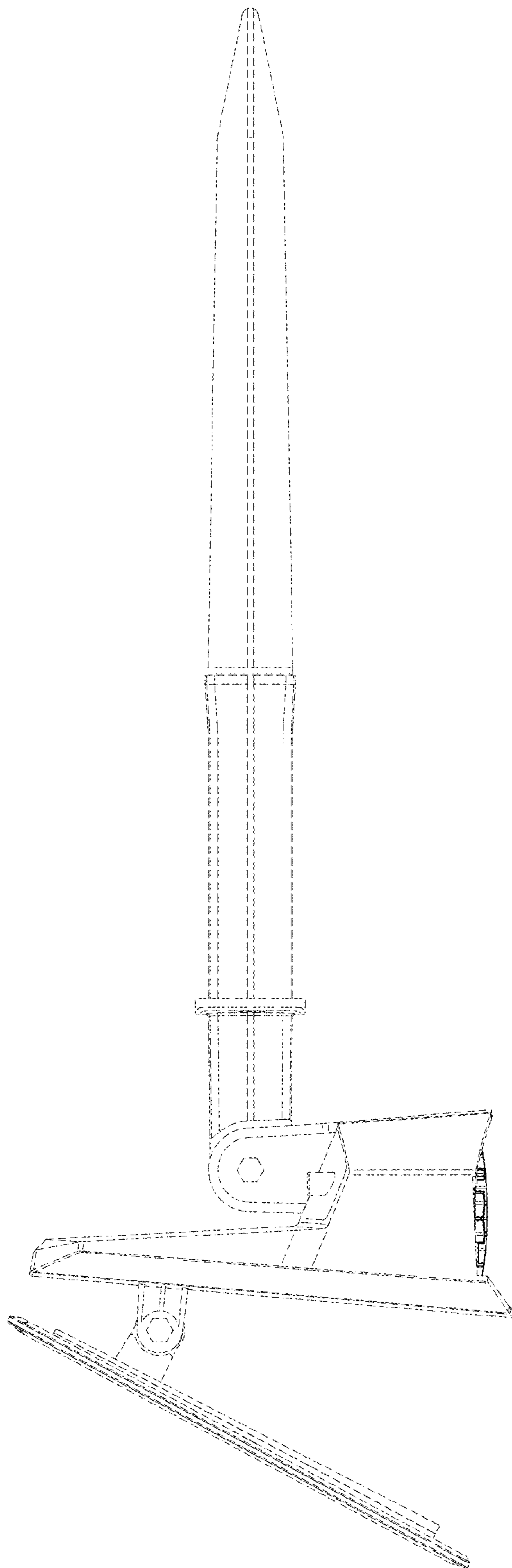


FIG. 7

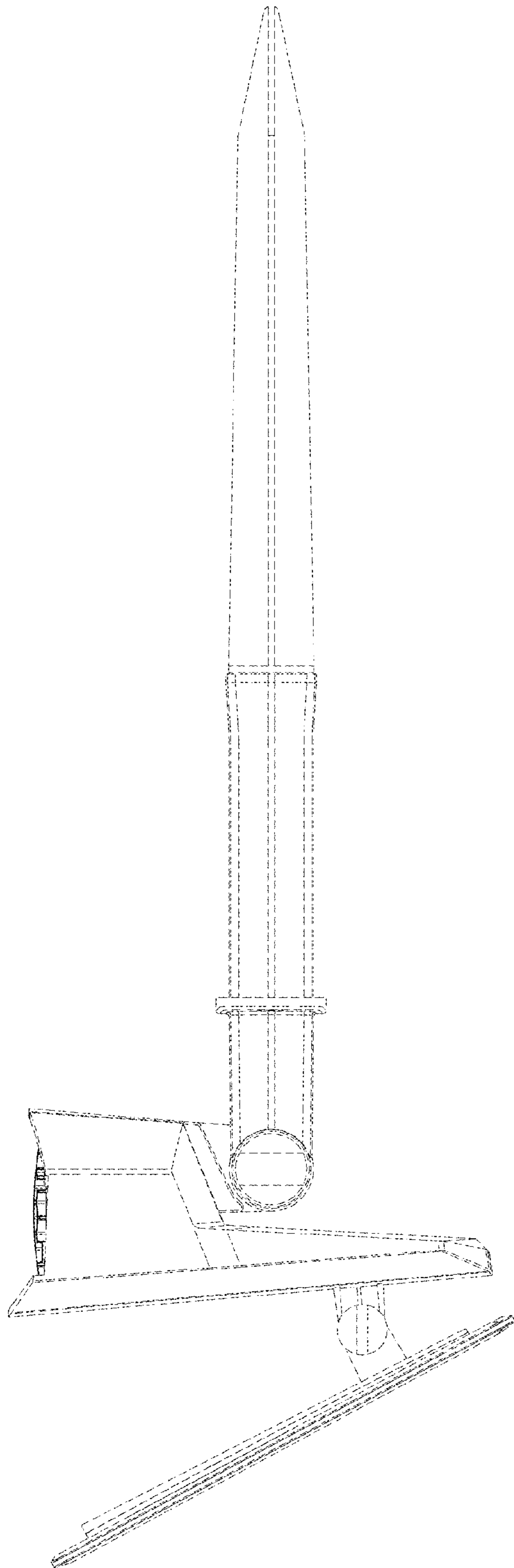


FIG. 8

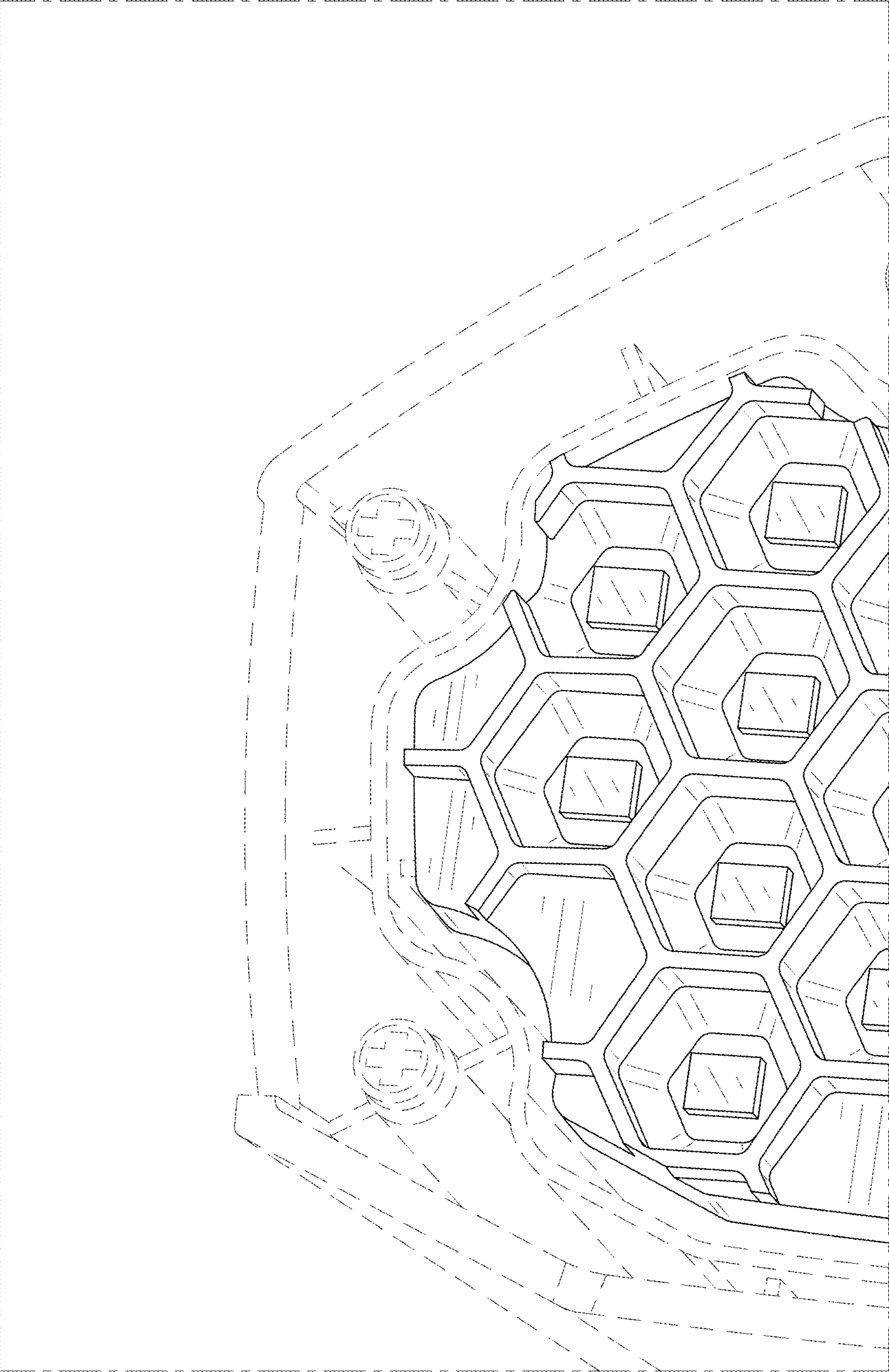


FIG. 9