



US00D881446S

(12) **United States Design Patent**
Lafleur

(10) **Patent No.:** **US D881,446 S**

(45) **Date of Patent:** **** Apr. 14, 2020**

(54) **TRIPLE HEAD LED SOLAR MOTION LIGHT WITH CAMERA**

(71) Applicant: **LES PRODUITS SUNFORCE INC.**,
Montreal-Ouest (CA)

(72) Inventor: **Andre Lafleur**, Boucherville (CA)

(73) Assignee: **LES PRODUITS SUNFORCE INC.**,
Montreal (CA)

(**) Term: **15 Years**

(21) Appl. No.: **29/709,619**

(22) Filed: **Oct. 16, 2019**

Related U.S. Application Data

(62) Division of application No. 29/638,464, filed on Feb. 27, 2018.

(51) **LOC (12) Cl.** **26-99**

(52) **U.S. Cl.**
USPC **D26/120**

(58) **Field of Classification Search**

USPC D26/24, 51, 61, 63, 65, 72, 80, 118, 120,
D26/128; D16/203

CPC F21S 8/04; F21S 8/00; F21V 21/00; F21V
17/02; F21V 14/02; F21V 21/30; F21V
21/14; F21V 21/26; F21W 2131/10;
G03B 13/196; H04N 5/2251; H04N
5/2253; H04N 5/2254

See application file for complete search history.

(56) **References Cited**

U.S. PATENT DOCUMENTS

D386,801 S * 11/1997 Orgovan D20/10
D670,022 S * 10/2012 Green D26/128
D735,927 S * 8/2015 Lee D26/120
D753,347 S * 4/2016 Lu D30/109
D761,474 S * 7/2016 Chen D26/65

D764,700 S * 8/2016 Chen D26/118
D781,481 S * 3/2017 Chen D26/65
D799,104 S * 10/2017 Chen D26/120
D804,075 S * 11/2017 Fang D26/65
D821,021 S * 6/2018 Chen D26/120
D835,335 S * 12/2018 Paredes D26/120

* cited by examiner

Primary Examiner — Brian N. Vinson

(74) *Attorney, Agent, or Firm* — Benoit & Cote, Inc.; C. Marc Benoit

(57) **CLAIM**

I claim the ornamental design for a triple head LED solar motion light with camera, as shown and described.

DESCRIPTION

FIG. 1 is a perspective view of a first embodiment of my ornamental design of a triple head LED solar motion light with camera;

FIG. 2 is a left-side elevation view thereof;

FIG. 3 is a front elevation view thereof;

FIG. 4 is a right-side elevation view thereof;

FIG. 5 is a rear elevation view thereof;

FIG. 6 is a top plan view thereof;

FIG. 7 is a bottom plan view thereof;

FIG. 8 is a perspective view of a second embodiment of my ornamental design of a triple head LED solar motion light with camera;

FIG. 9 is a right-side elevation thereof;

FIG. 10 is a front elevation view thereof;

FIG. 11 is a left-side elevation view thereof;

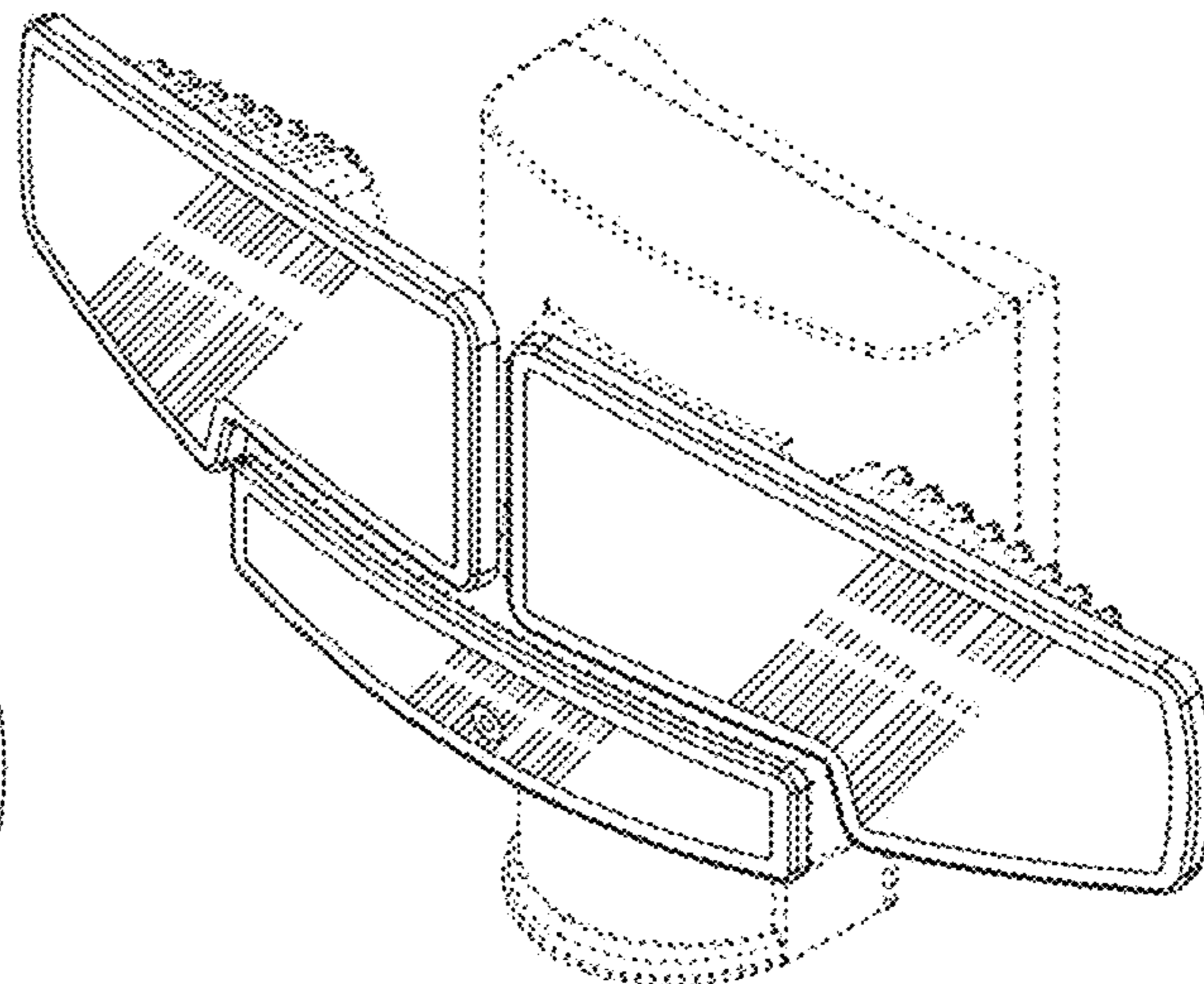
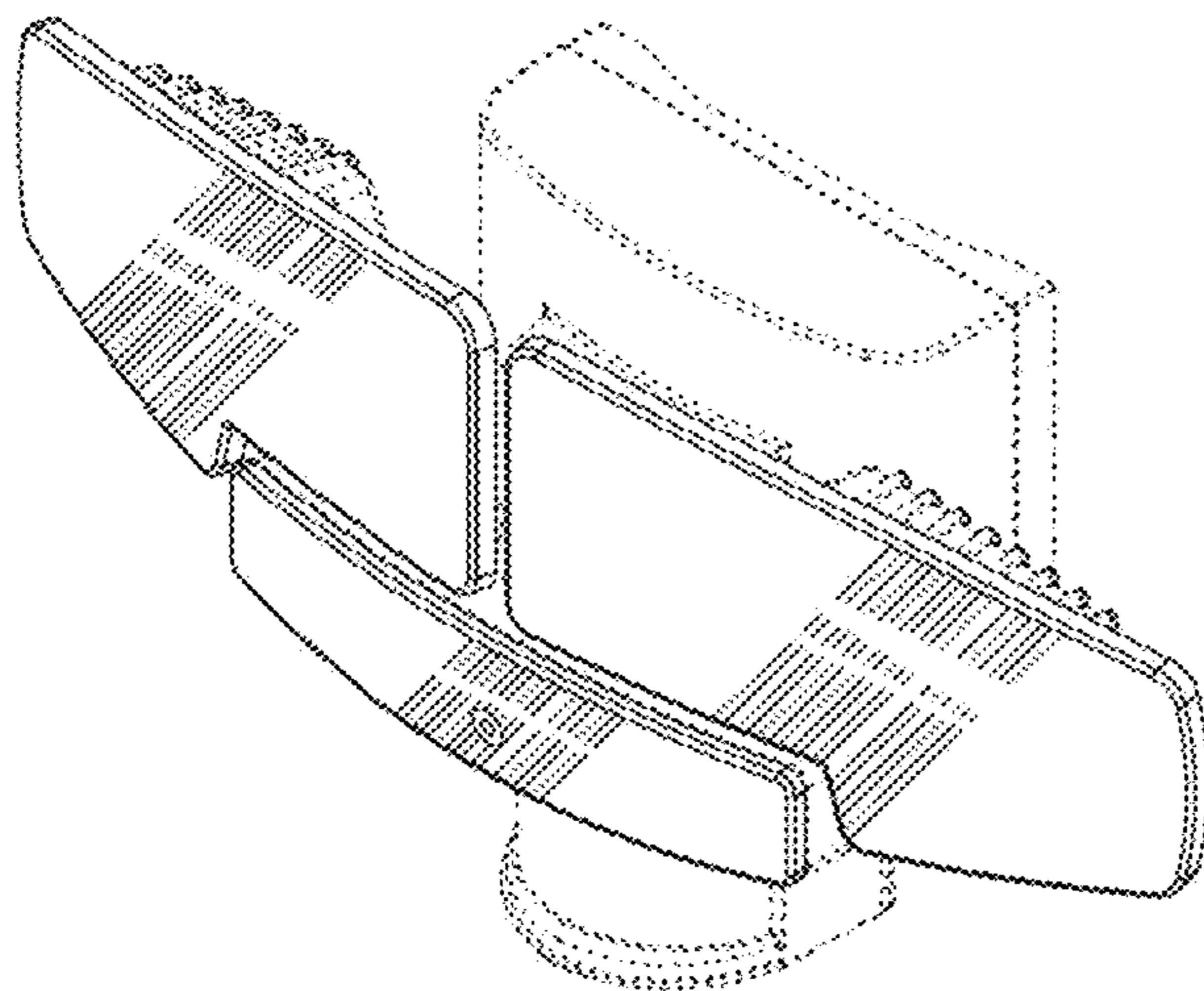
FIG. 12 is a rear elevation view thereof;

FIG. 13 is a top plan view thereof; and,

FIG. 14 is a bottom plan view thereof.

The broken lines shown in the figures are included for the purpose of illustrating environment and form no part of the claimed design.

1 Claim, 8 Drawing Sheets



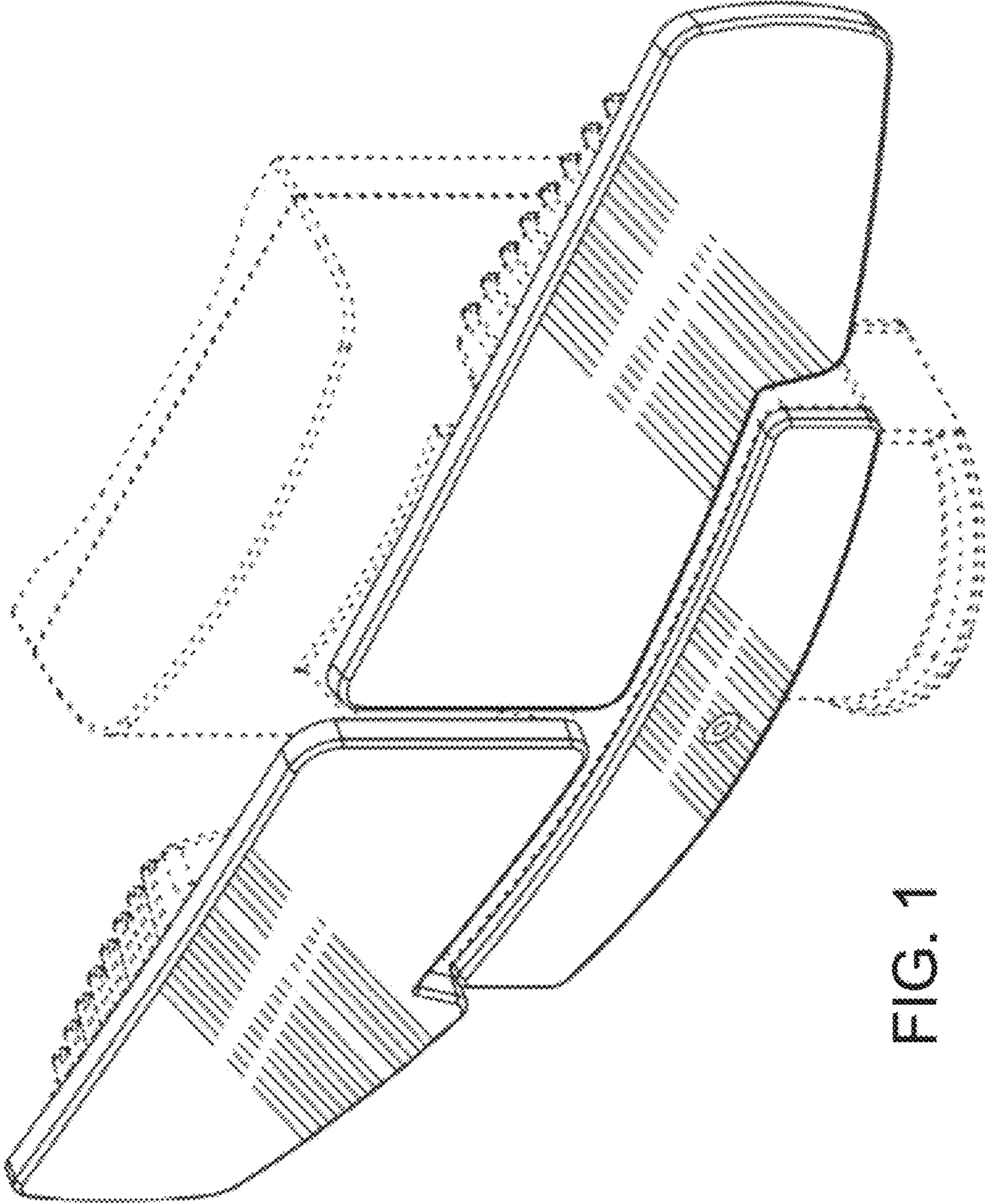


FIG. 1

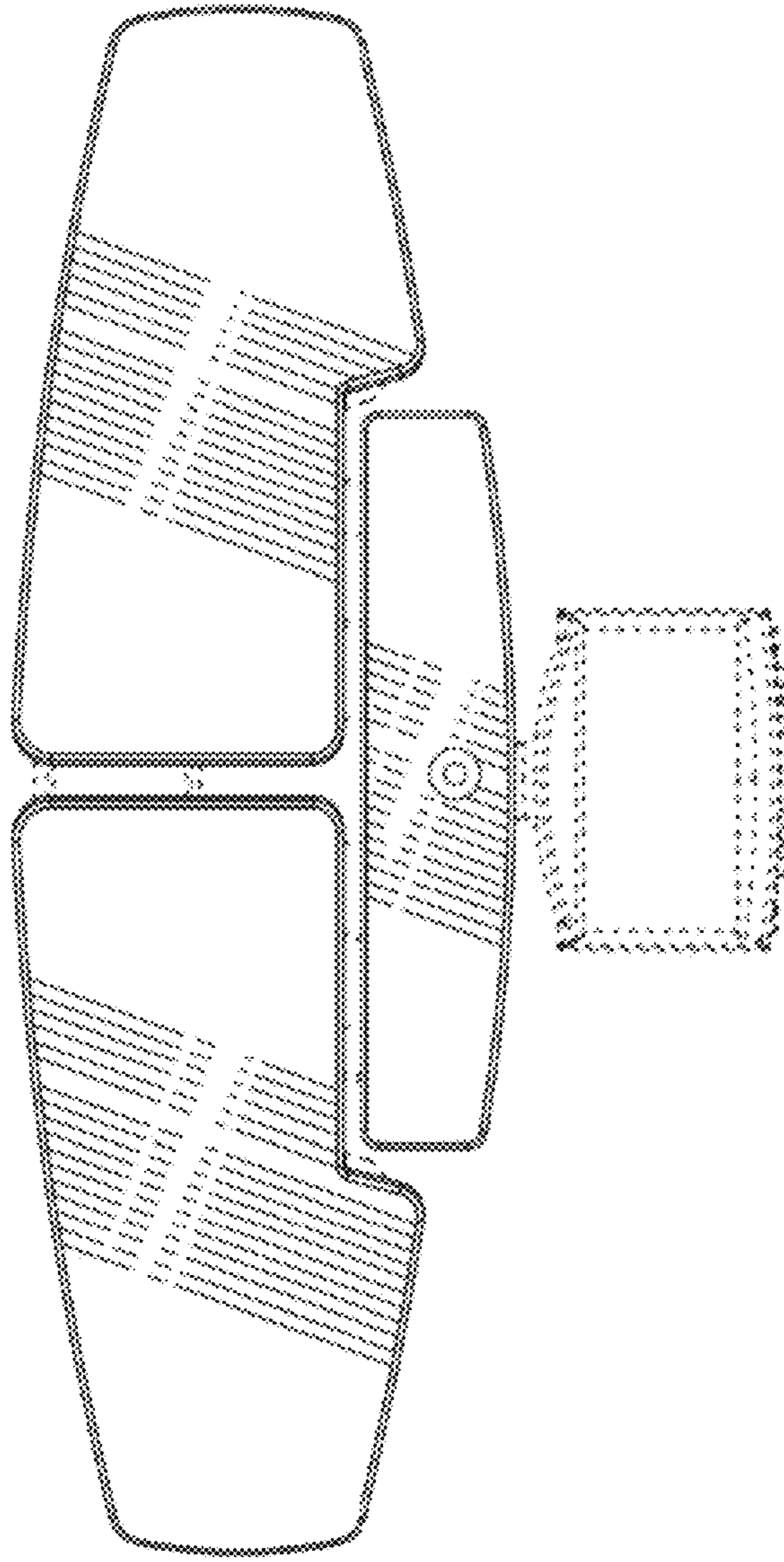


FIG. 2

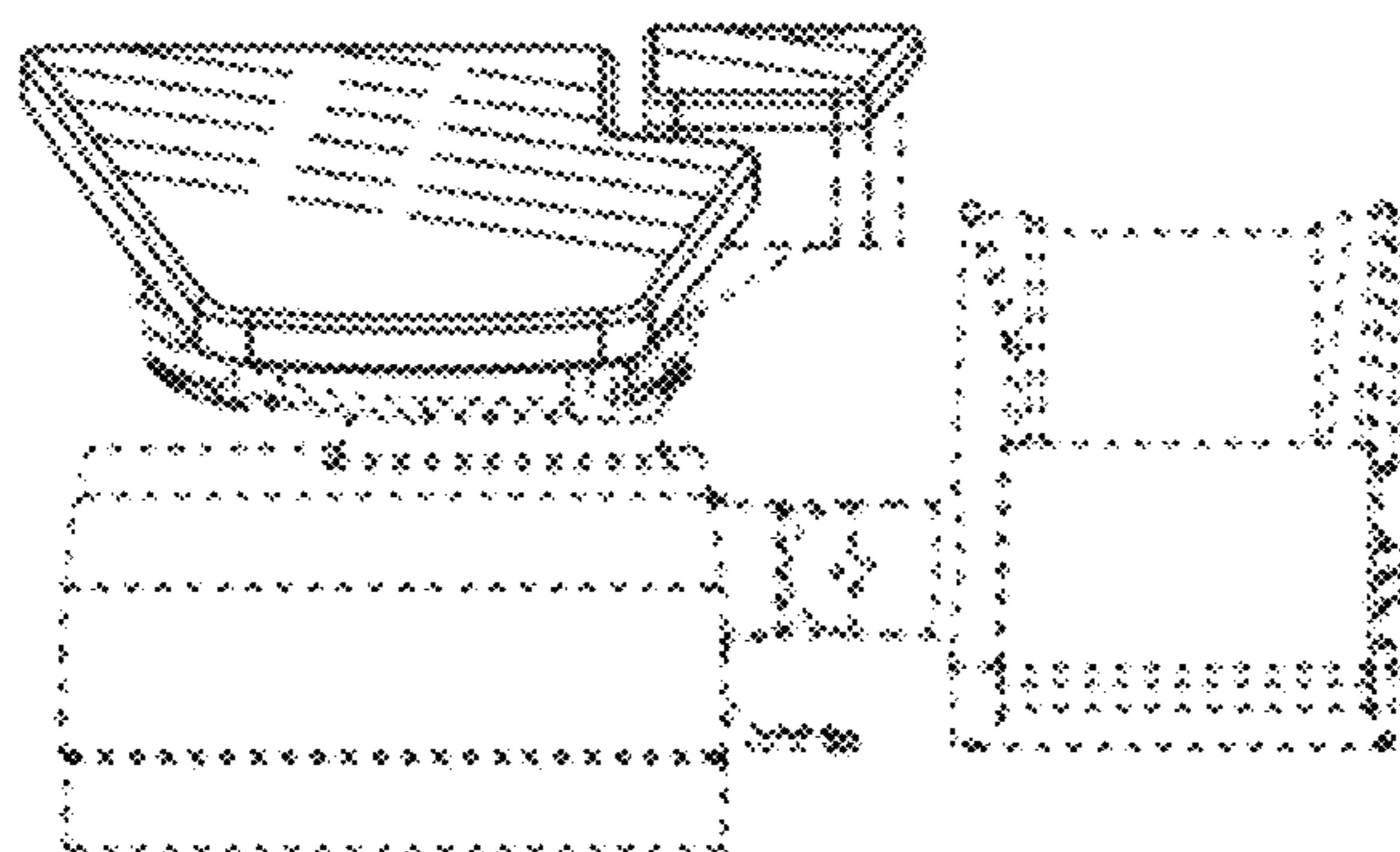


FIG. 3

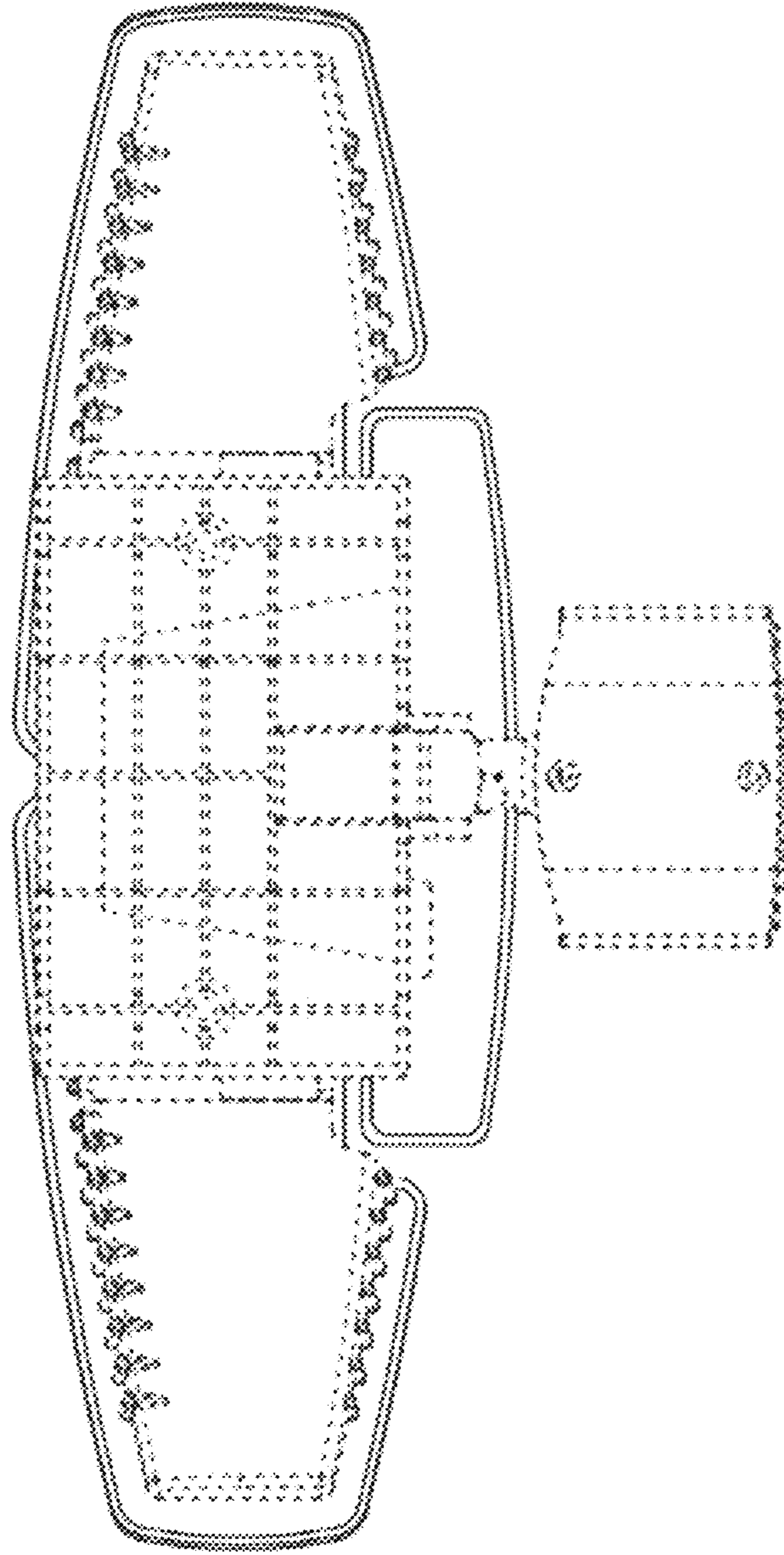


FIG. 4

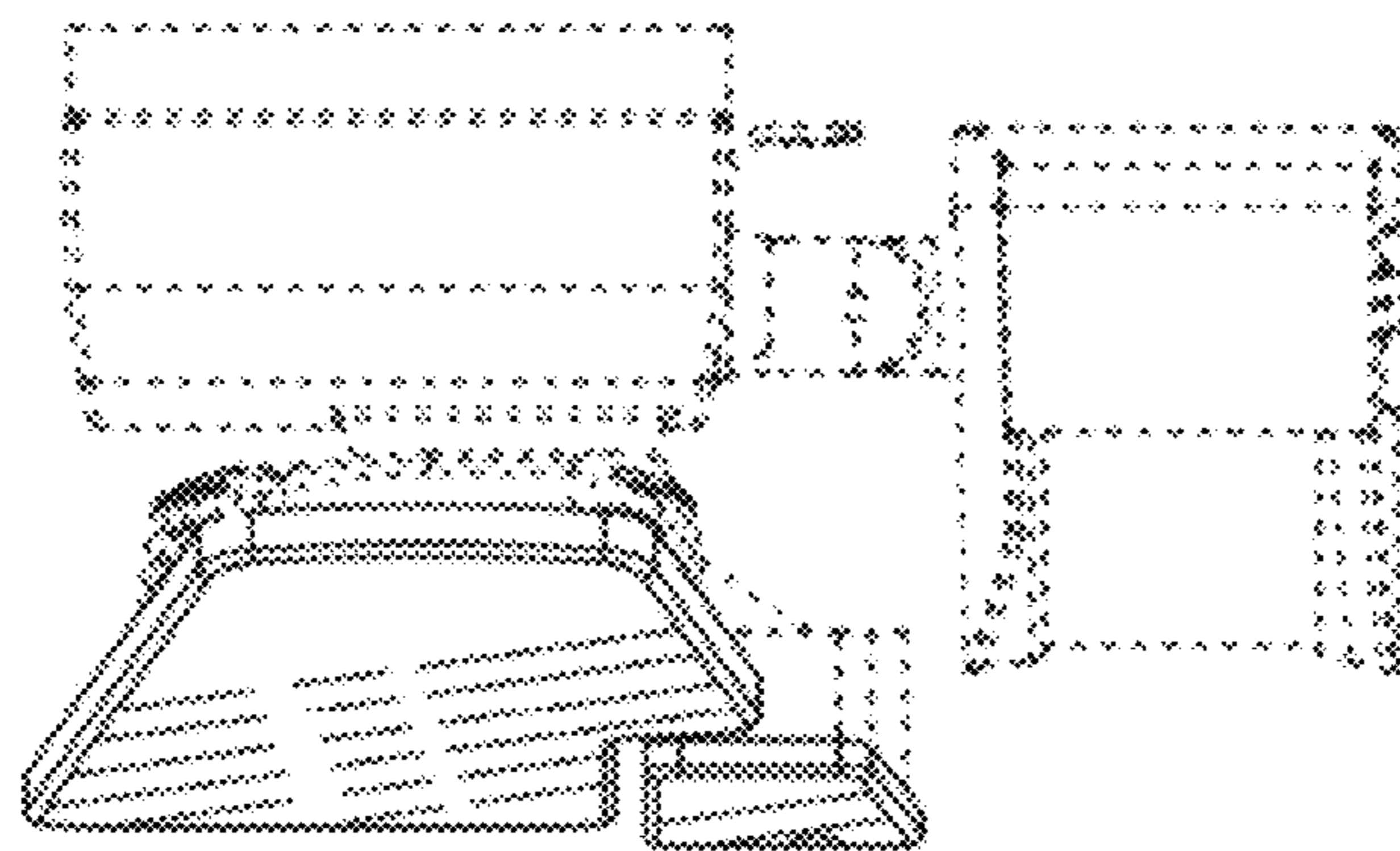


FIG. 5

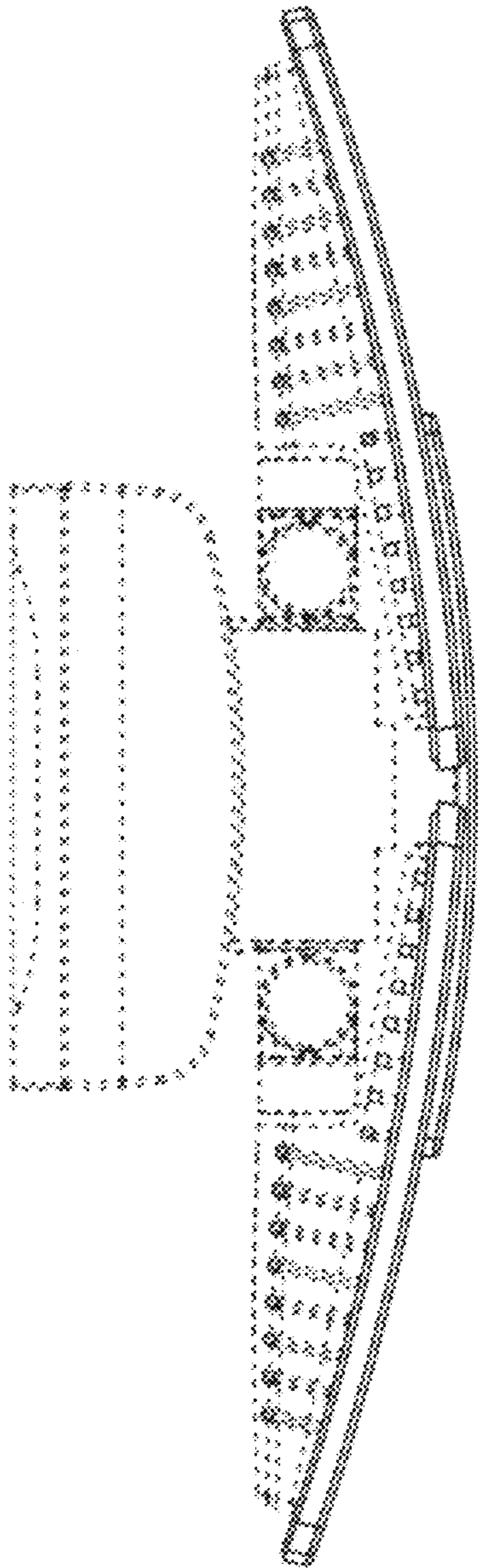


FIG. 6

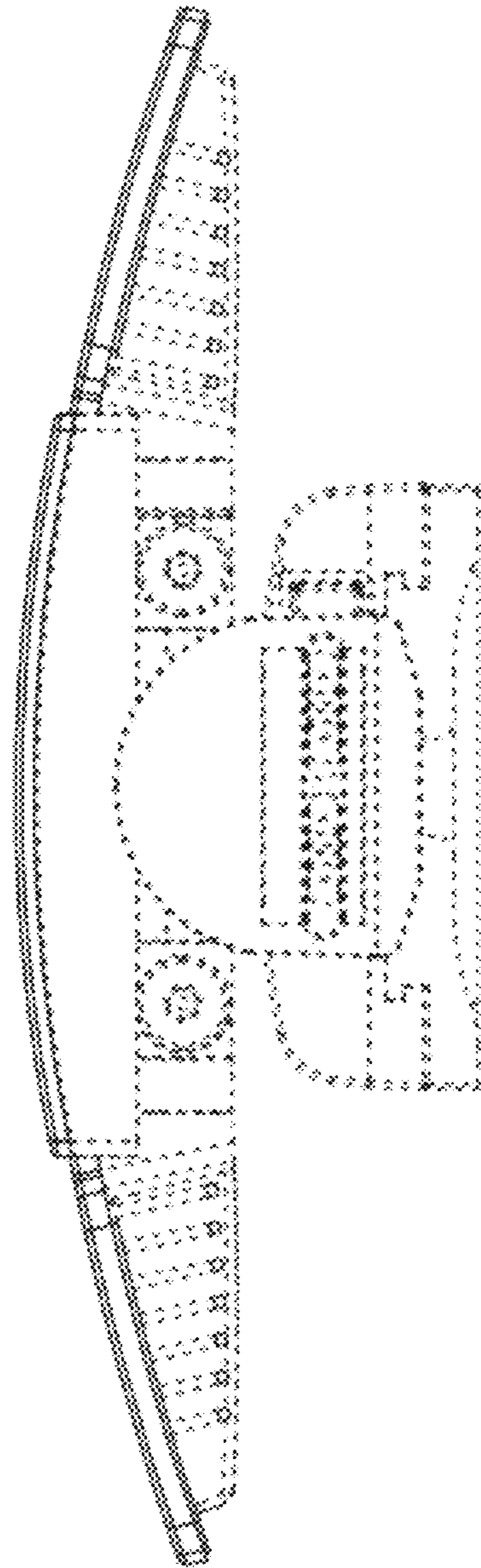


FIG. 7

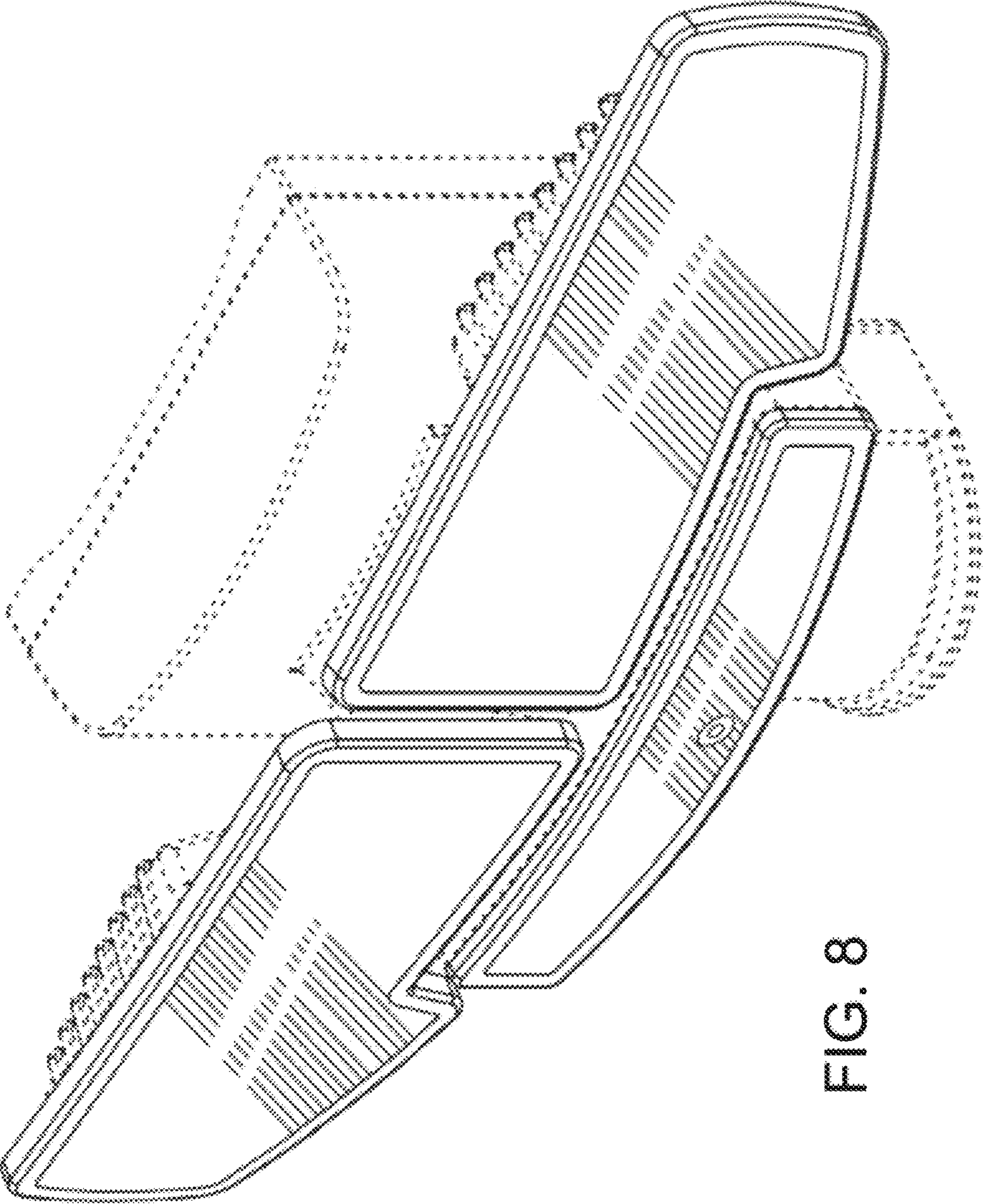


FIG. 8

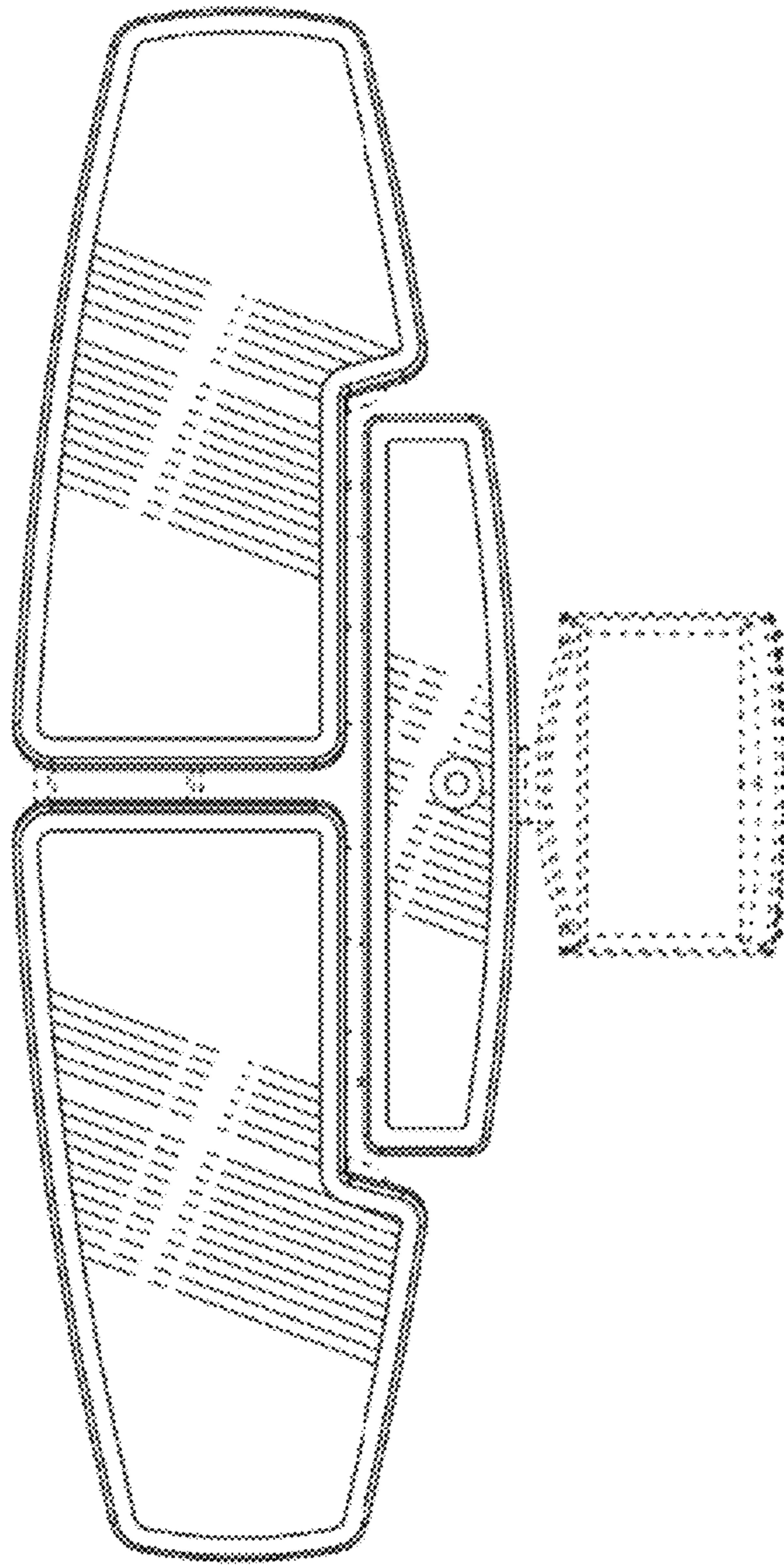


FIG. 9

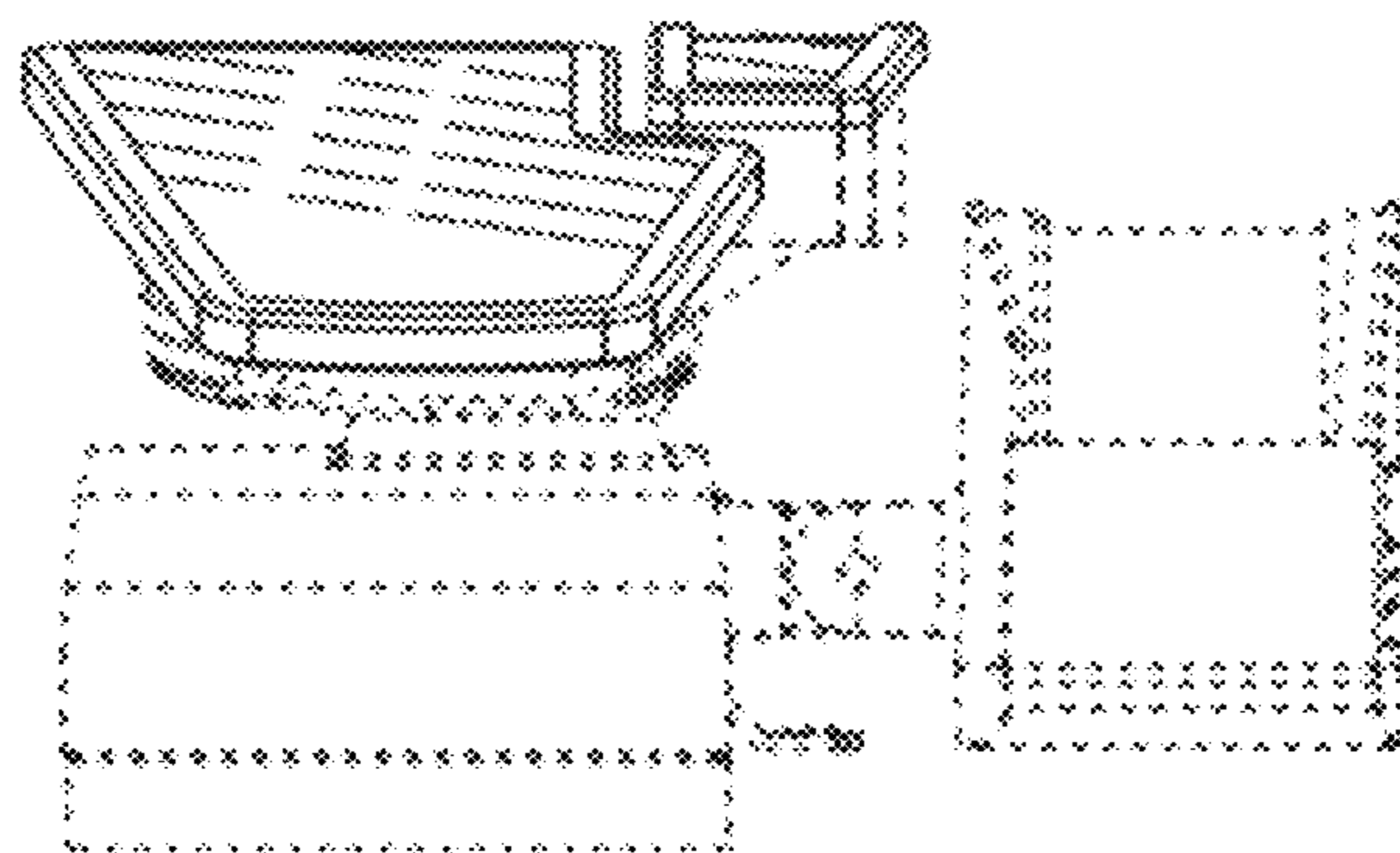


FIG. 10

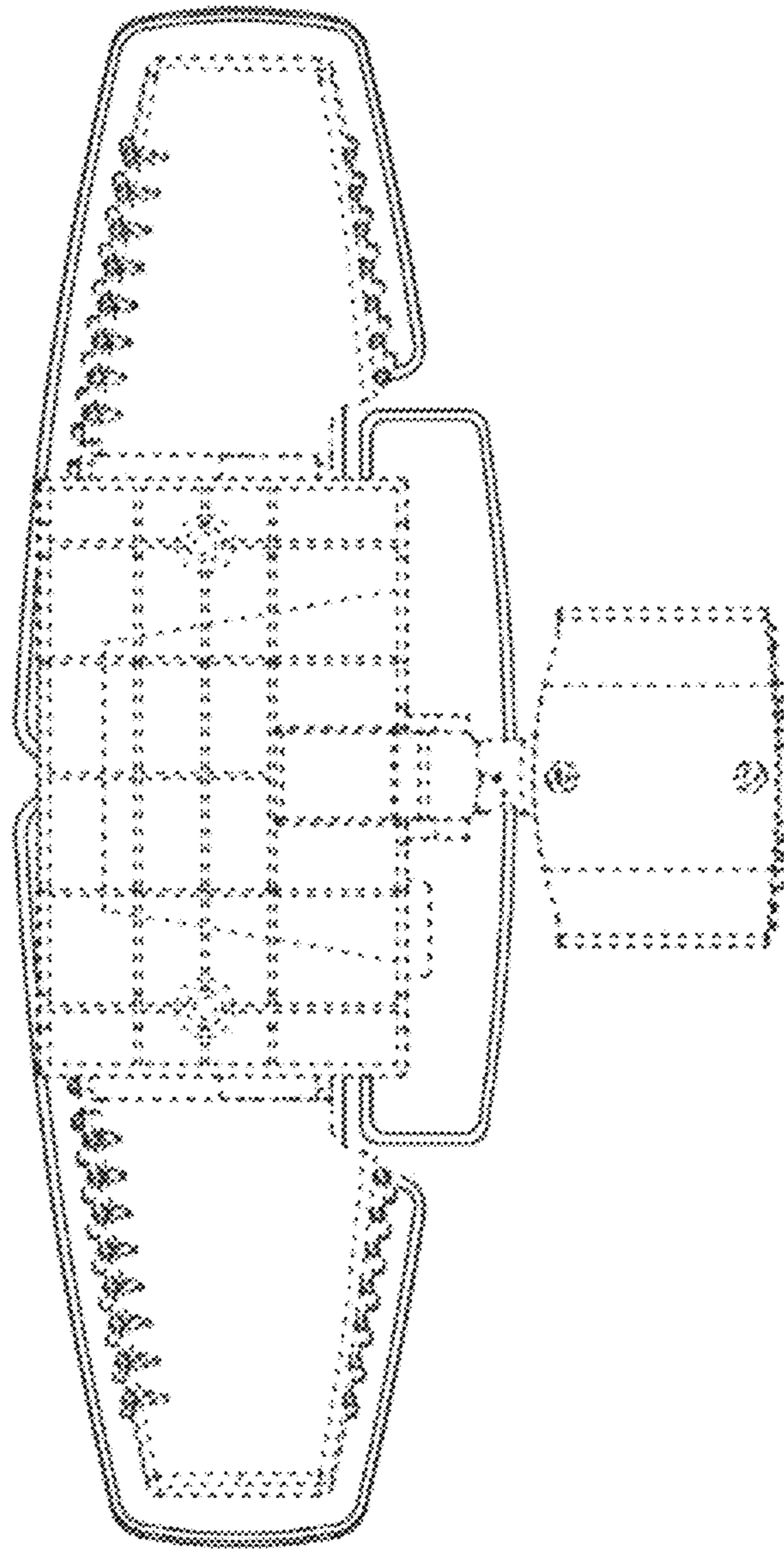


FIG. 11

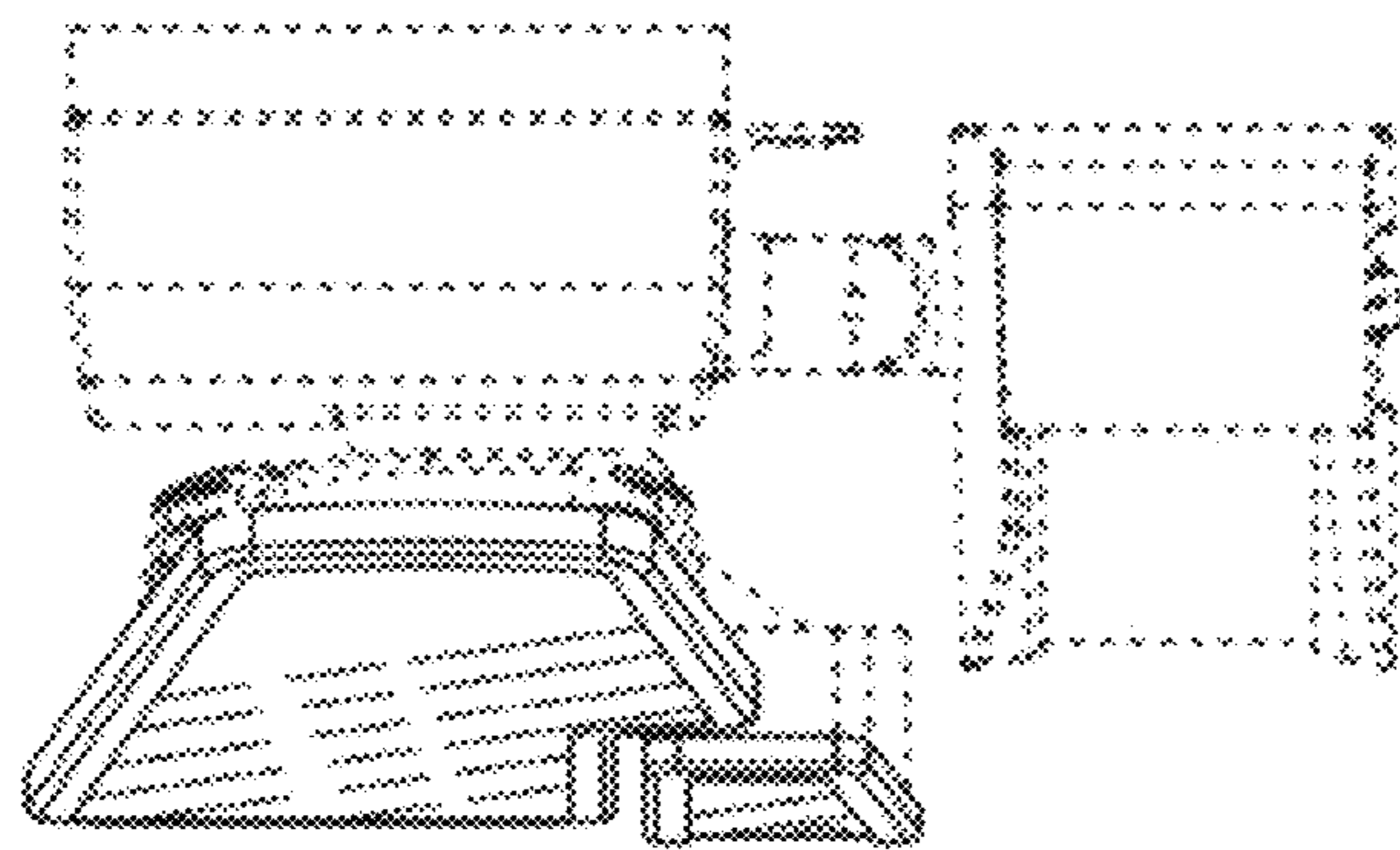


FIG. 12

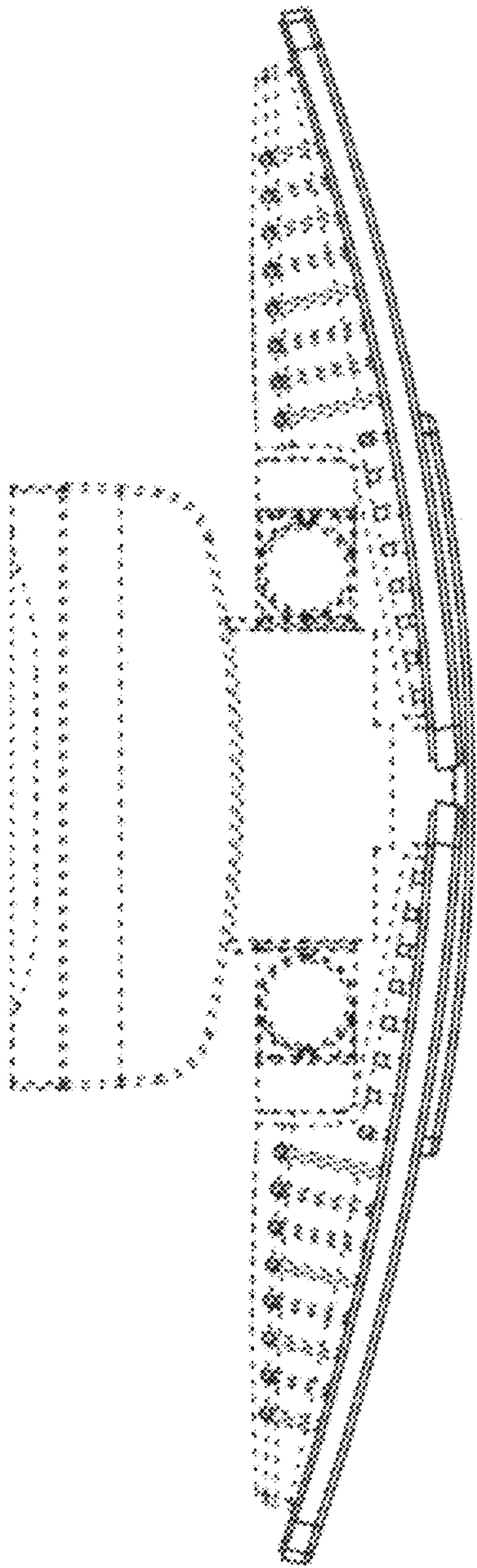


FIG. 13

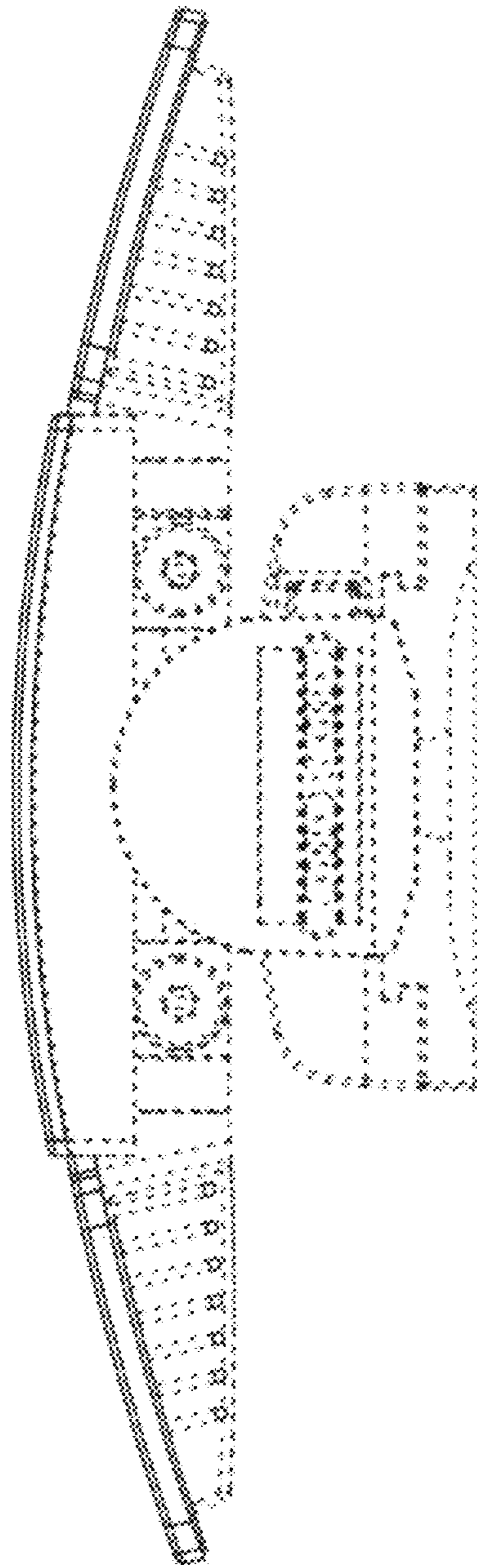


FIG. 14