



US00D881445S

(12) **United States Design Patent** (10) **Patent No.:** **US D881,445 S**  
**Reynolds** (45) **Date of Patent:** **\*\* Apr. 14, 2020**

(54) **LIGHT FIXTURE**

(56) **References Cited**

(71) Applicant: **HGCI, Inc.**, Las Vegas, NV (US)  
(72) Inventor: **Christopher Reynolds**, Vancouver, WA (US)  
(73) Assignee: **HGCI, Inc.**, Las Vegas, NV (US)  
(\*\*) Term: **15 Years**  
(21) Appl. No.: **29/702,339**  
(22) Filed: **Aug. 19, 2019**

U.S. PATENT DOCUMENTS

D771,301 S	*	11/2016	Stanley .....	D26/118
D797,350 S	*	9/2017	Reynolds .....	D26/118
D802,830 S	*	11/2017	Stanley .....	D26/118
D822,882 S	*	7/2018	Reynolds .....	D26/118
D825,826 S	*	8/2018	Stanley .....	D26/118

\* cited by examiner

*Primary Examiner* — Brian N. Vinson  
(74) *Attorney, Agent, or Firm* — Ulmer & Berne LLP

**Related U.S. Application Data**

(63) Continuation of application No. 29/673,857, filed on Dec. 18, 2018, now Pat. No. Des. 857,285, which is a continuation of application No. 29/612,009, filed on Jul. 27, 2017, now Pat. No. Des. 839,471, which is a continuation of application No. 29/567,137, filed on Jun. 6, 2016, now Pat. No. Des. 796,728.

(51) **LOC (12) Cl.** ..... **26-99**

(52) **U.S. Cl.**  
USPC ..... **D26/118**

(58) **Field of Classification Search**  
USPC ... D26/9, 10, 12, 13, 15, 16, 24, 51, 61, 72, D26/76, 80, 81, 85, 86, 88, 90, 113, 118, D26/119, 120, 122, 128, 129, 138, 143, D26/144  
CPC .... B60Q 1/04; B60Q 1/26; F21S 8/026; F21S 8/04; F21L 19/00; F23D 11/443; F21Y 2101/02; F21V 21/02; F21V 29/004; F21V 21/04; F21V 29/2212; F21V 7/22; F21V 29/83; F21V 37/002; F21V 7/00; A61L 9/037

See application file for complete search history.

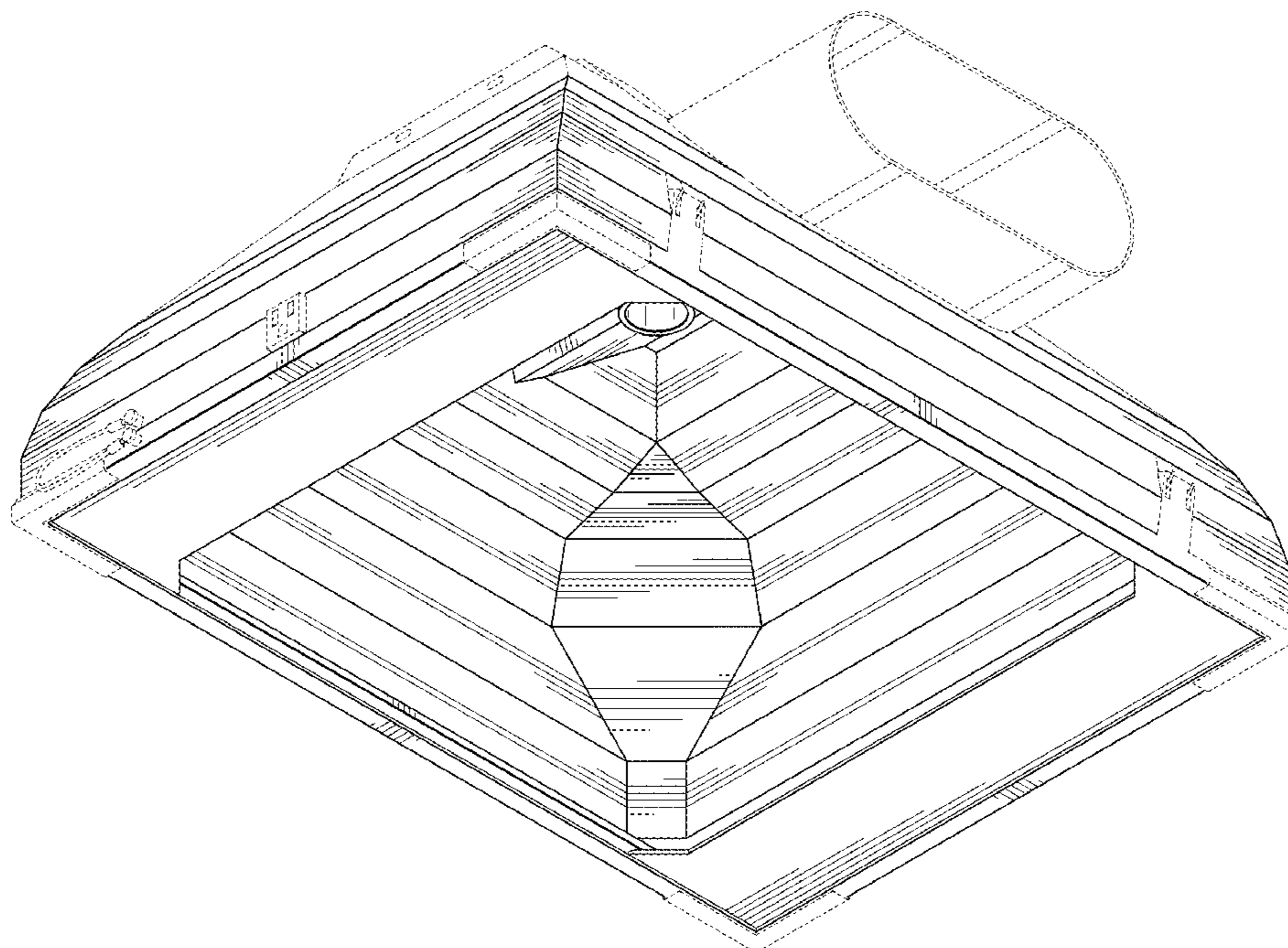
(57) **CLAIM**

The ornamental design for a light fixture, as shown and described.

**DESCRIPTION**

FIG. 1 is a perspective view of a light fixture, as viewed from below, showing my new design;  
FIG. 2 is a perspective elevation view thereof, as viewed from above;  
FIG. 3 is a left side elevation view thereof;  
FIG. 4 is a right side elevation view thereof;  
FIG. 5 is a front elevation view thereof;  
FIG. 6 is a back elevation view thereof;  
FIG. 7 is a top plan view thereof; and,  
FIG. 8 is a bottom plan view thereof.  
The broken lines in the drawing views represent portions of the light fixture which form no part of the claimed design.

**1 Claim, 8 Drawing Sheets**



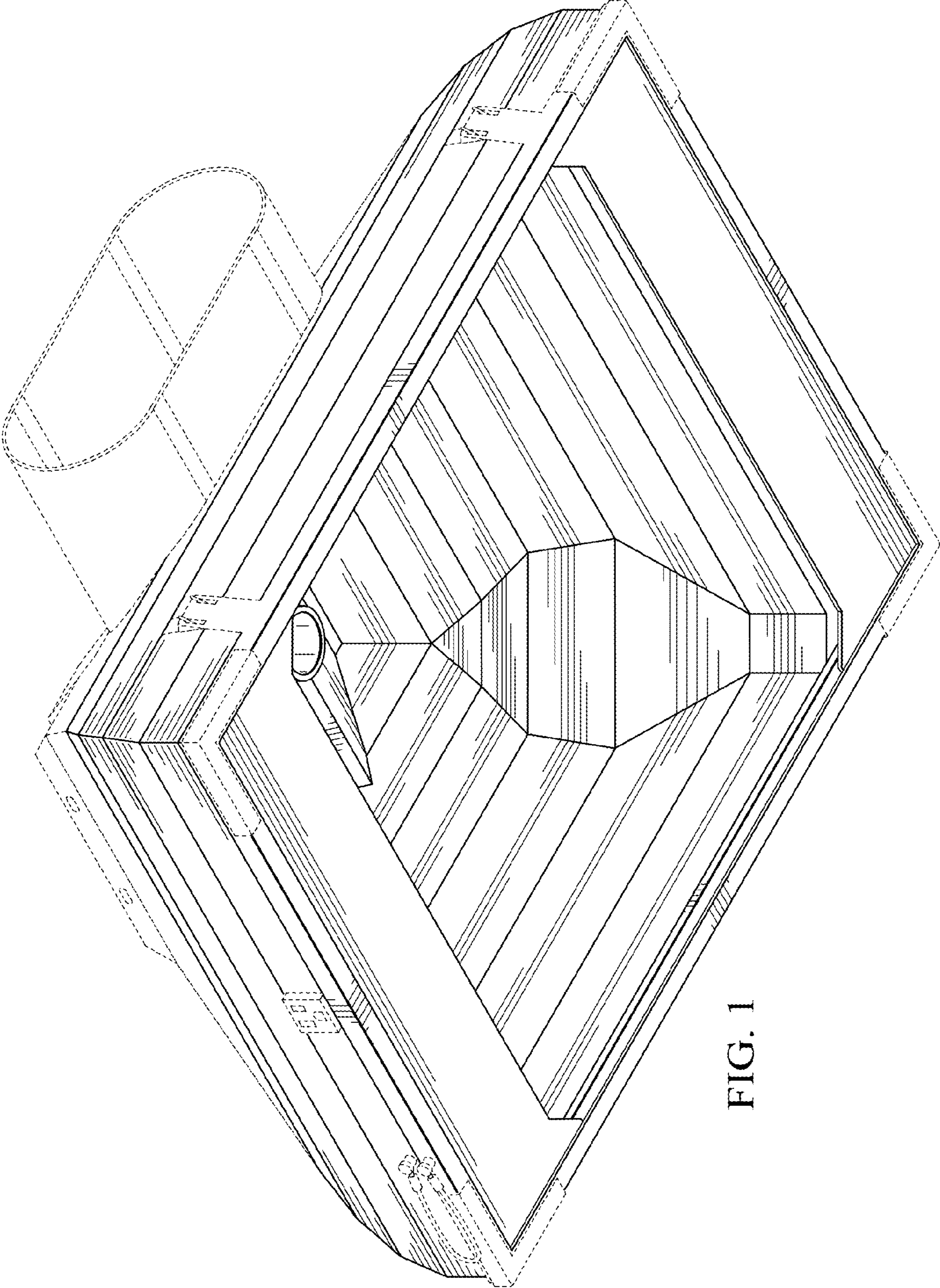


FIG. 1



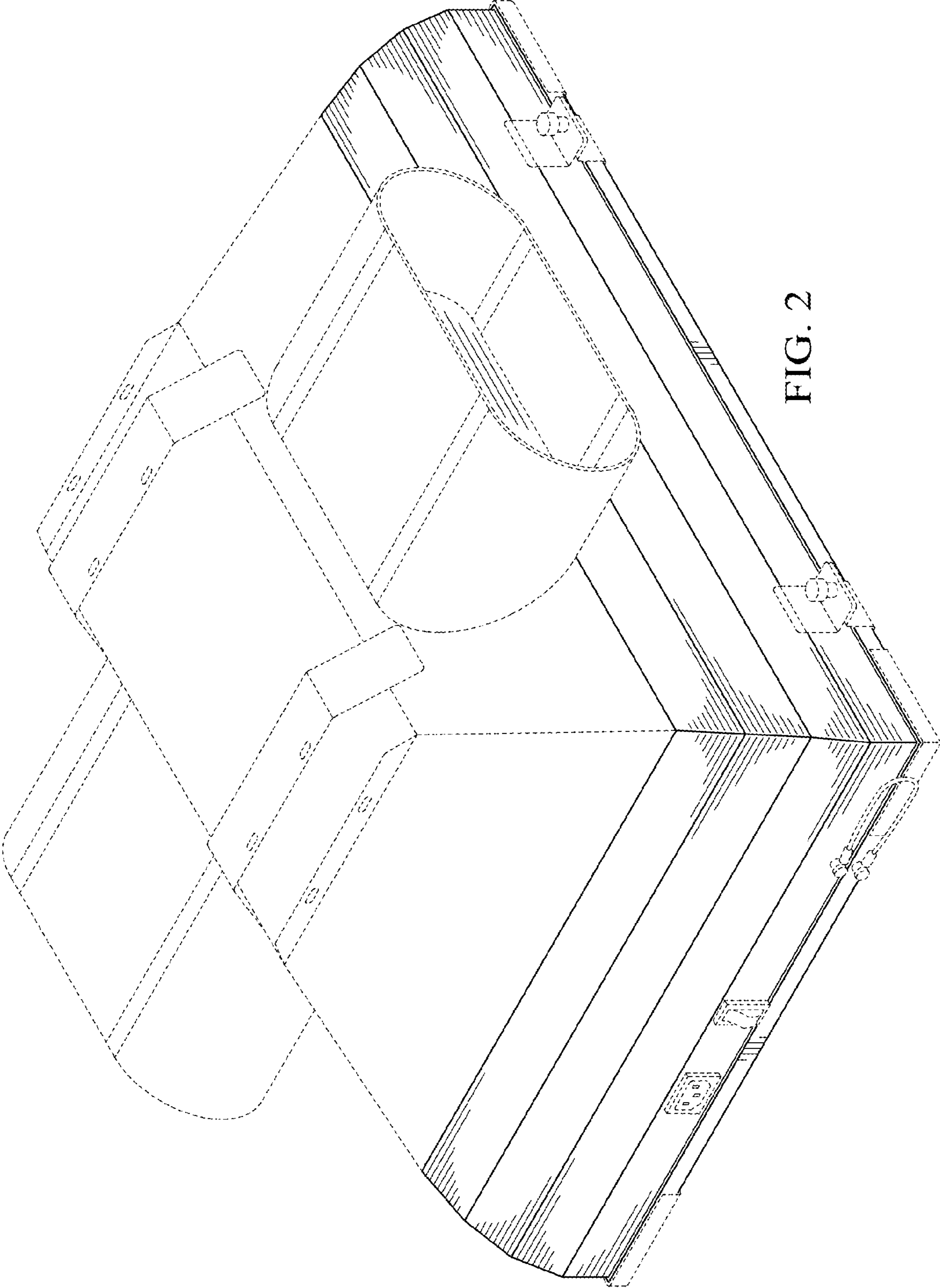


FIG. 2

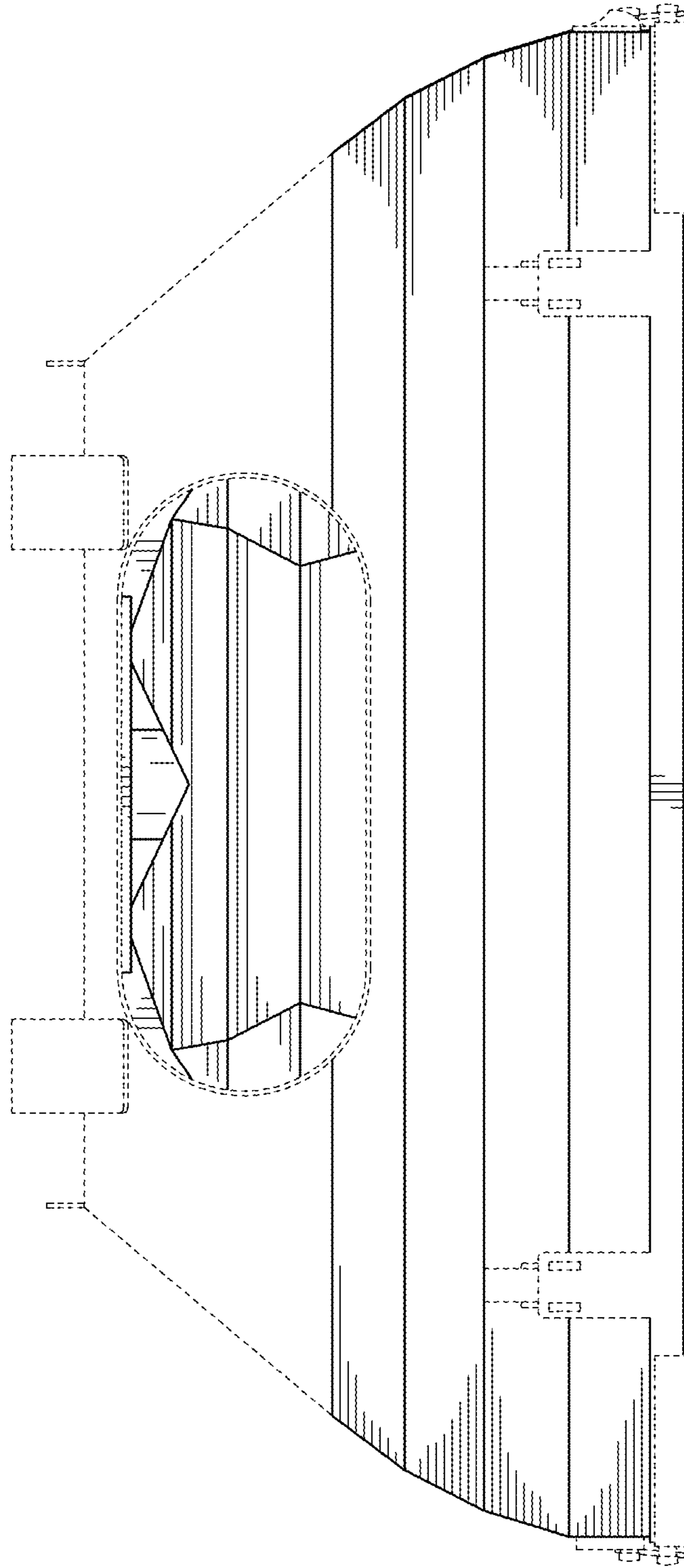


FIG. 3

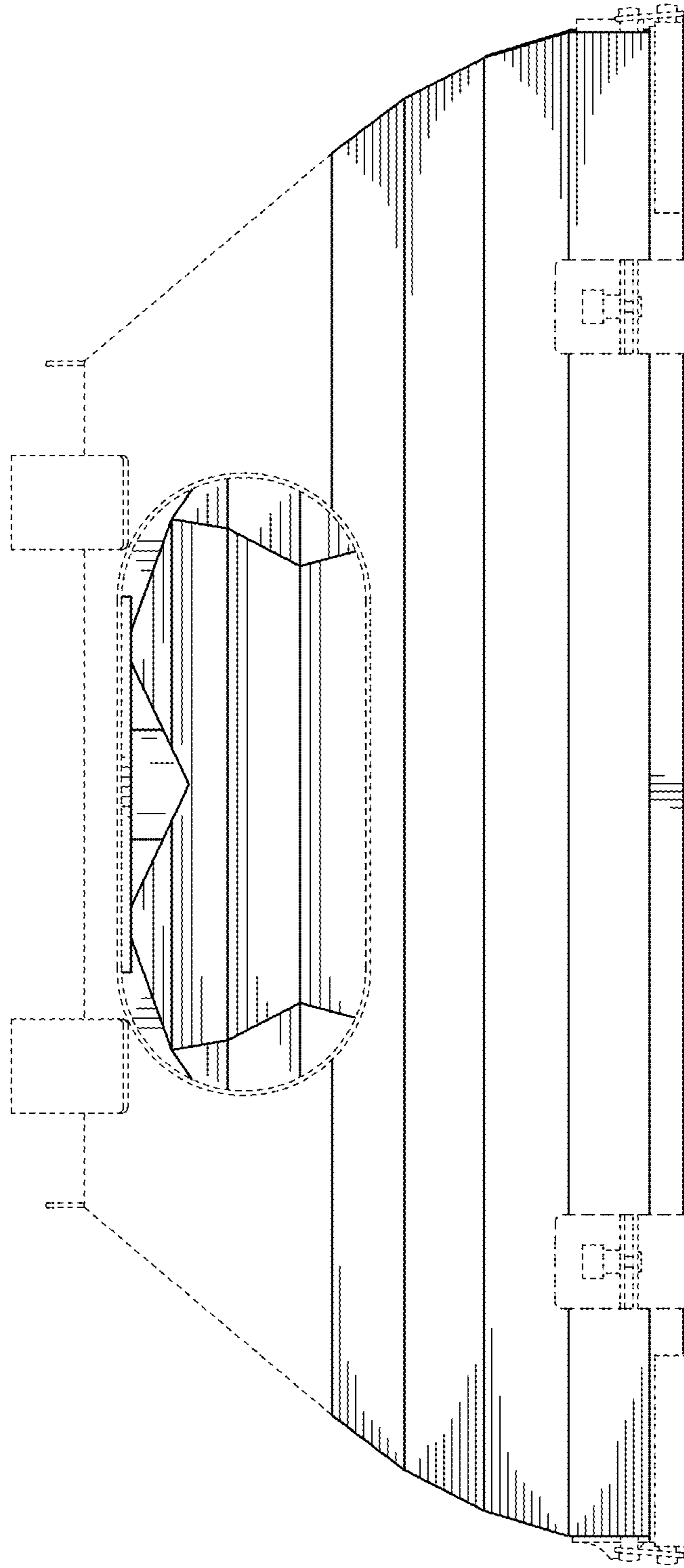


FIG. 4

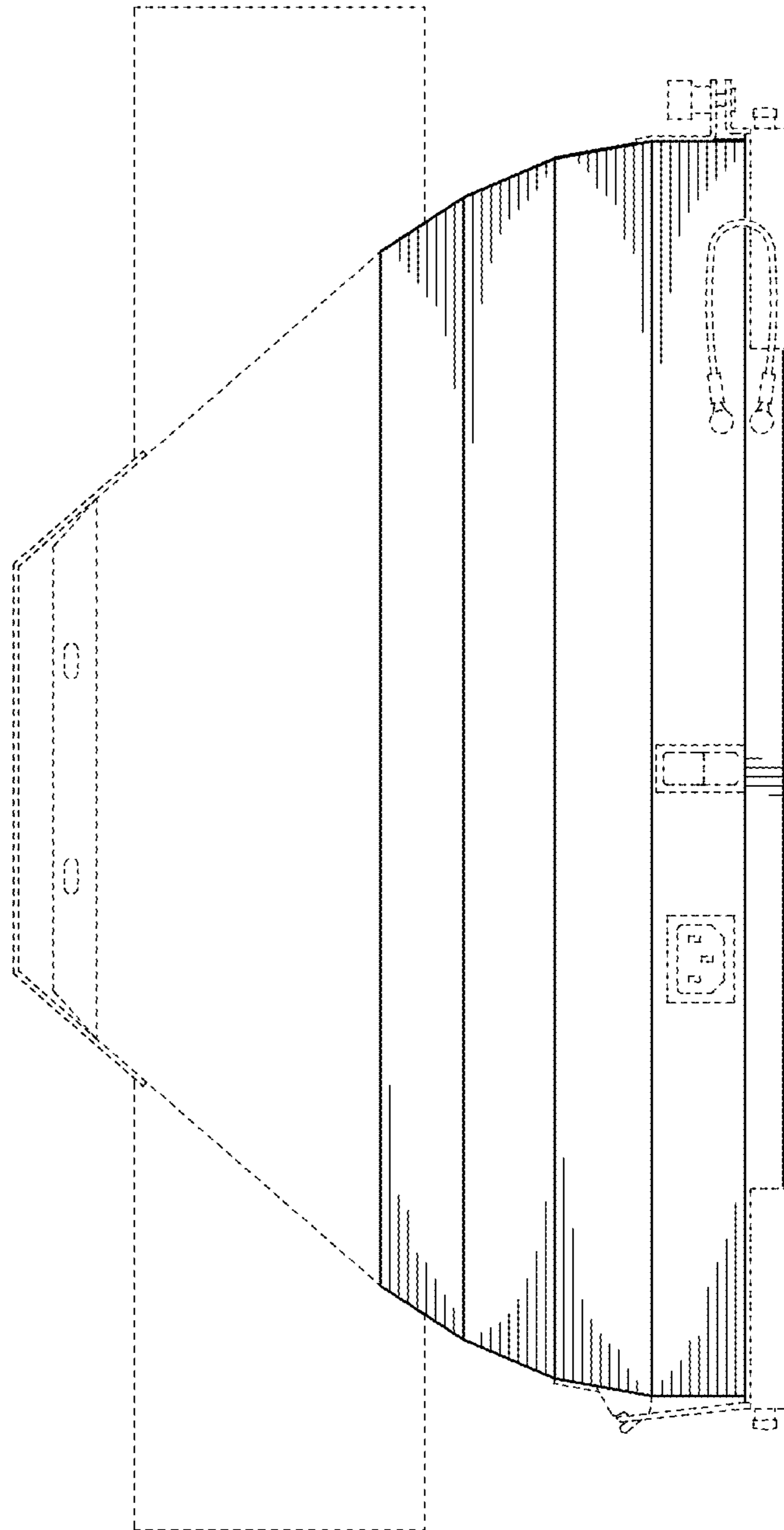


FIG. 5

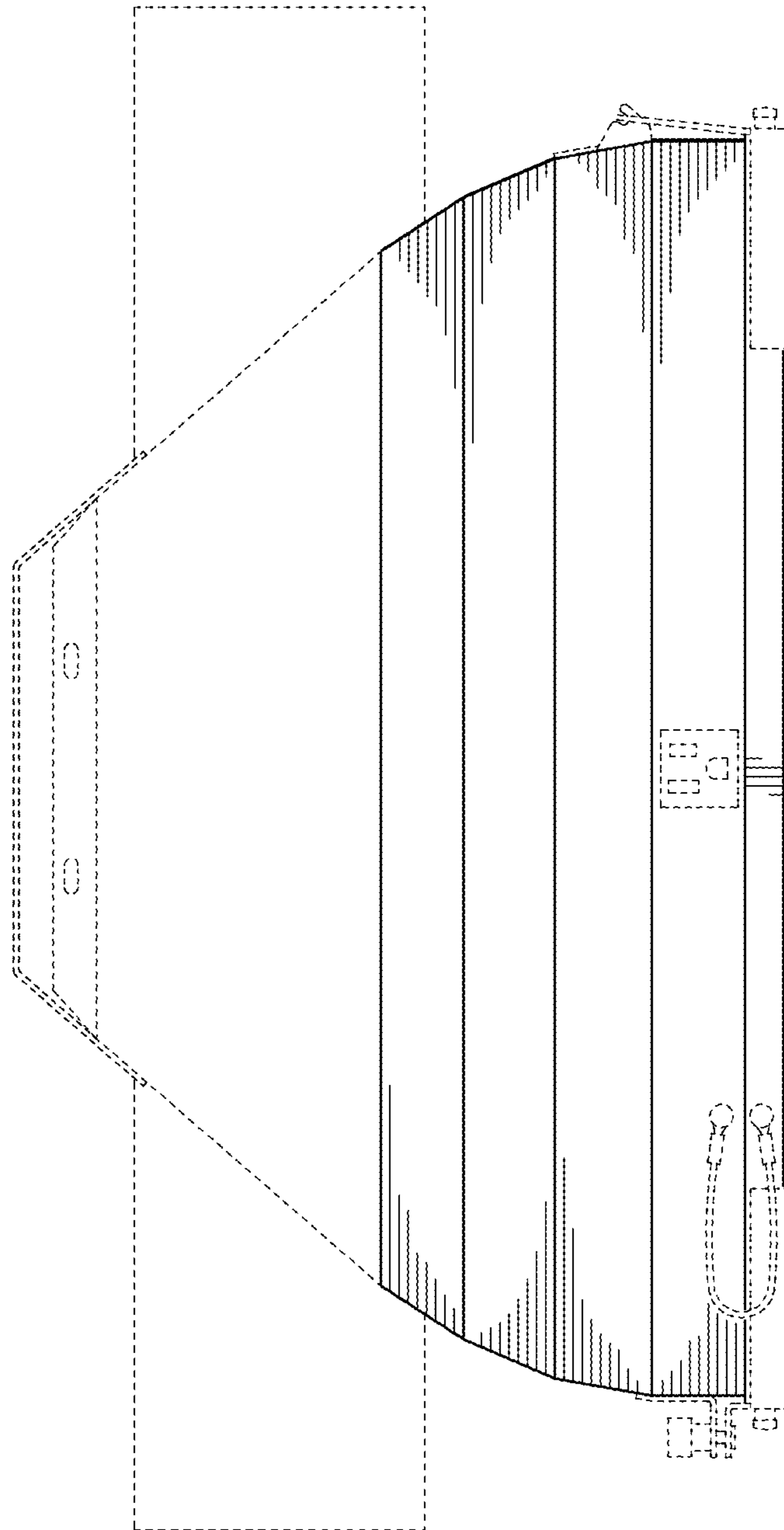


FIG. 6

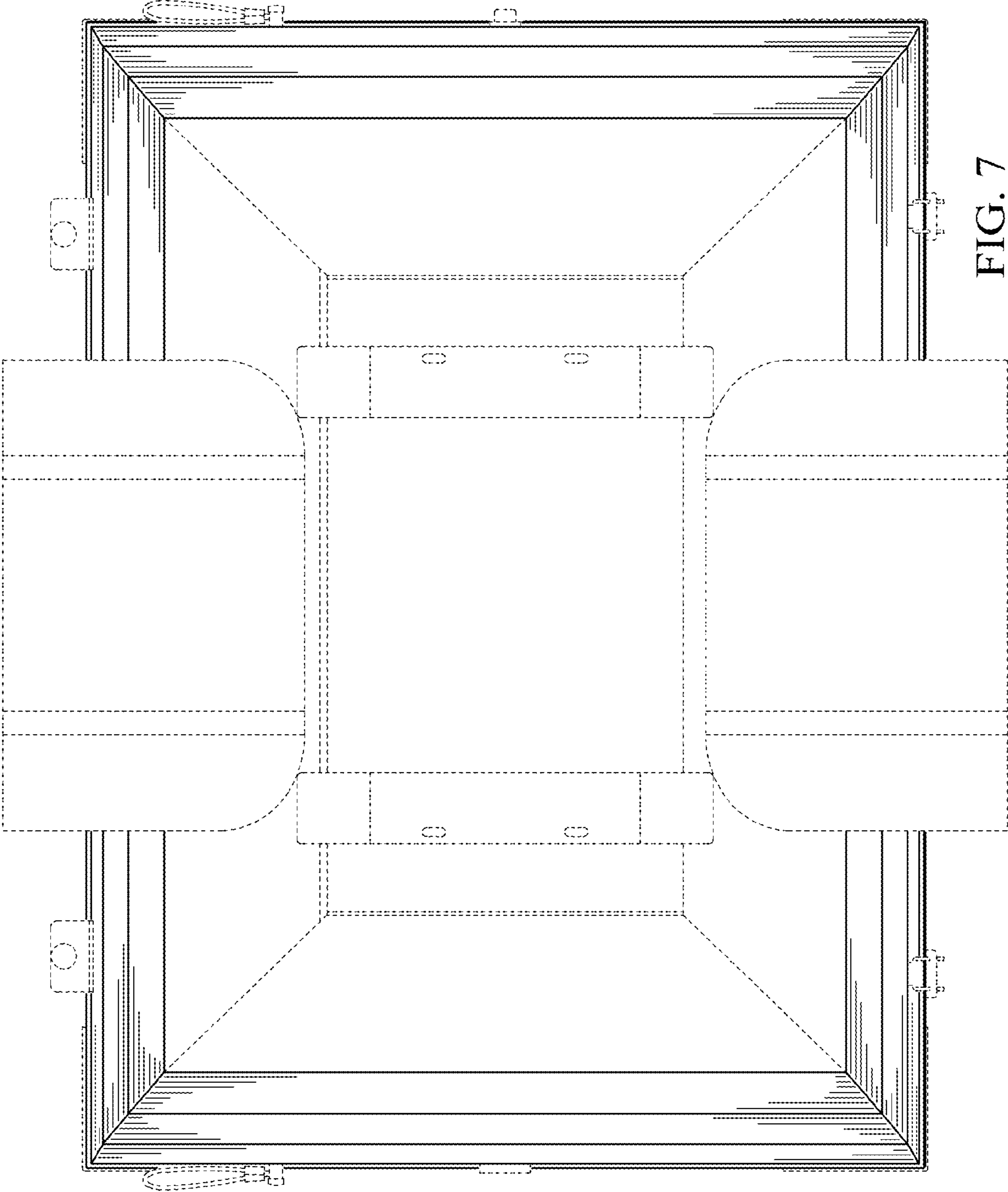


FIG. 7



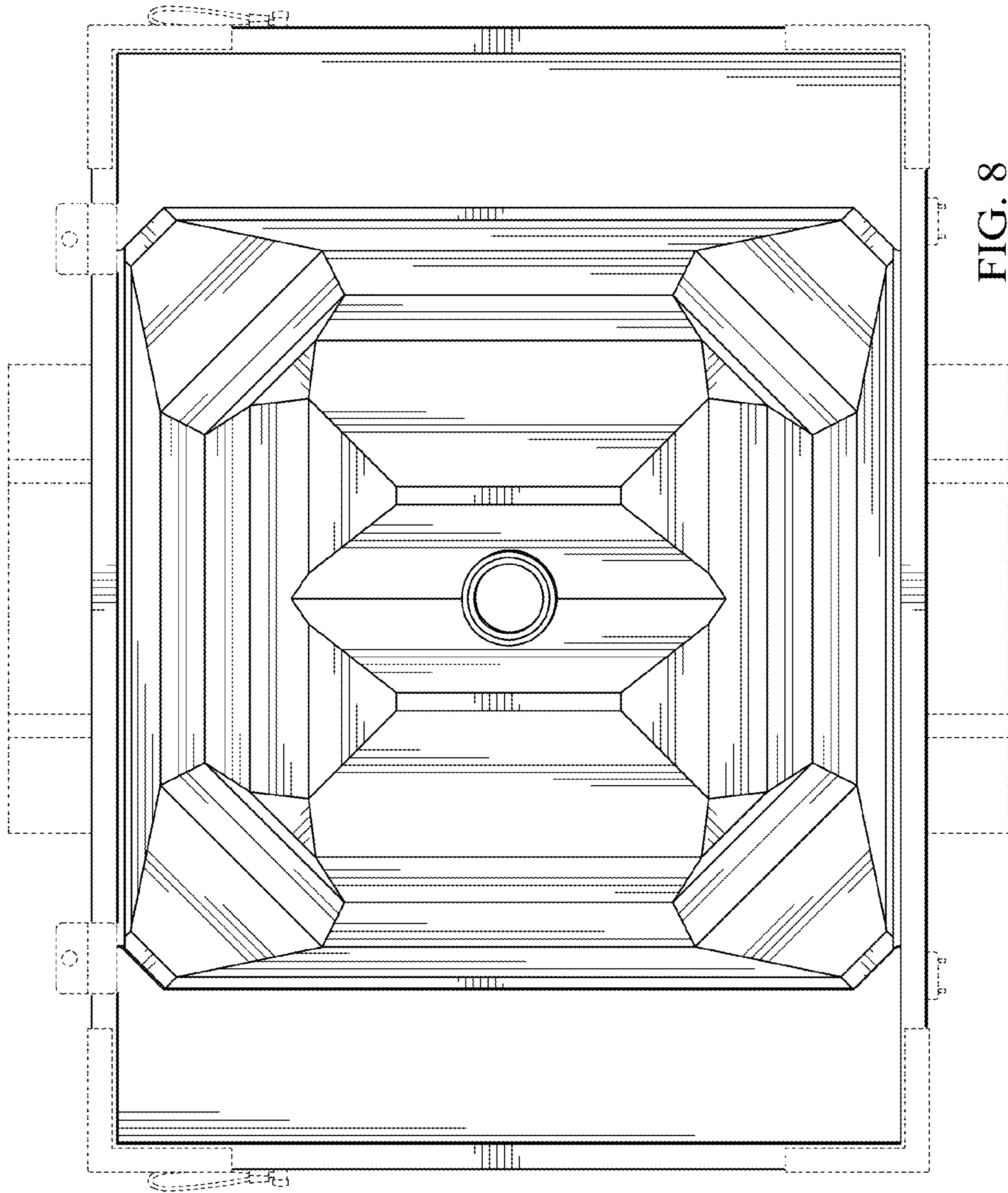


FIG. 8