



US00D881441S

(12) **United States Design Patent** (10) **Patent No.:** **US D881,441 S**
Van Den Akker (45) **Date of Patent:** **** Apr. 14, 2020**

(54) **LIGHTING FIXTURE**

(71) Applicant: **SIGNIFY HOLDING B.V.**, Eindhoven (NL)

(72) Inventor: **Emmanuel Van Den Akker**, Moerbeke Waas (BE)

(73) Assignee: **SIGNIFY HOLDING B.V.**, Eindhoven (NL)

(**) Term: **15 Years**

(21) Appl. No.: **29/635,031**

(22) Filed: **Jan. 26, 2018**

(30) **Foreign Application Priority Data**

Aug. 4, 2017 (EM) 004133767-0001

(51) **LOC (12) Cl.** **26-05**

(52) **U.S. Cl.**
USPC **D26/87; D26/137**

(58) **Field of Classification Search**
USPC D26/72, 80-89, 92, 128, 134, 137
CPC .. F21S 8/033; F21S 8/036; F21S 8/038; F21S 8/088; F21S 9/037; F21W 2121/004; F21W 2131/107; F21V 29/767; F21V 7/043

See application file for complete search history.

(56) **References Cited**

U.S. PATENT DOCUMENTS

D83,295 S * 2/1931 Von Nessen D26/128
D118,308 S * 12/1939 McKay D26/71

D280,242 S * 8/1985 Burket D26/134
D313,483 S * 1/1991 Blake D26/71
D364,242 S * 11/1995 Fiorato D26/85
D385,643 S * 10/1997 Brohard D26/71
D397,482 S * 8/1998 Binsukor D26/85
D400,278 S * 10/1998 Binsukor D26/67
D501,944 S * 2/2005 Friedman D26/71
D544,131 S * 6/2007 Blackman D26/85
D580,085 S * 11/2008 Svensson D26/71
D626,680 S * 11/2010 Verelst D26/85
D628,739 S * 12/2010 Lu D26/113
D694,464 S * 11/2013 Parres D26/133
D710,536 S * 8/2014 Mollaghaffari D26/138
D754,905 S * 4/2016 Colombo D26/85
D783,882 S * 4/2017 Dolan D26/87
D802,200 S * 11/2017 Sonneman D26/87

* cited by examiner

Primary Examiner — Cathron C Brooks

(74) *Attorney, Agent, or Firm* — Daniel J. Piotrowski

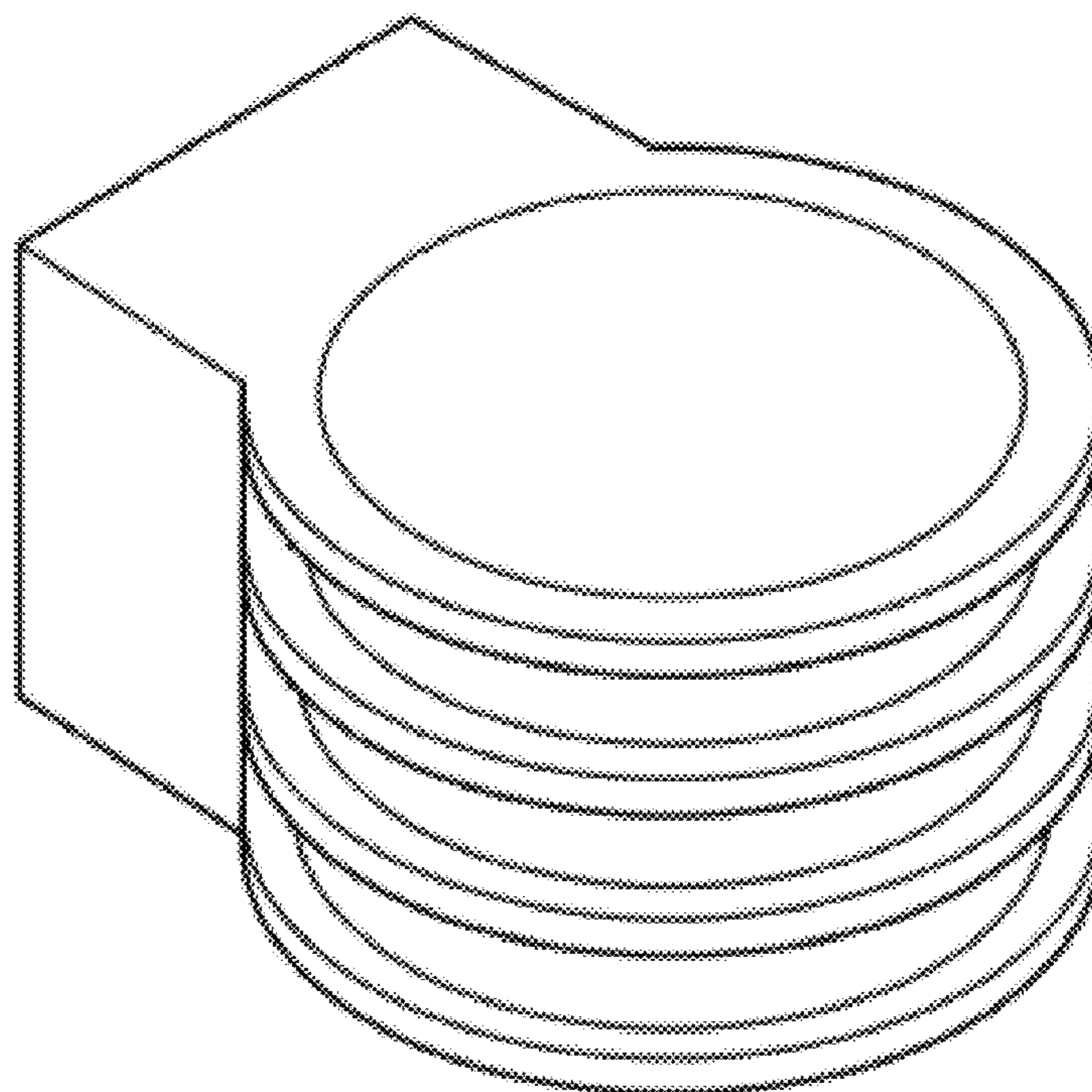
(57) **CLAIM**

The ornamental design for a “lighting fixture”, as shown and described.

DESCRIPTION

FIG. 1 is a perspective view showing my design; FIG. 2 is a front elevational view thereof; FIG. 3 is a rear elevational view thereof; FIG. 4 is a right side elevational view thereof; FIG. 5 is a left side elevational view thereof; FIG. 6 is a top plan view thereof; and, FIG. 7 is a bottom plan view thereof.

1 Claim, 4 Drawing Sheets



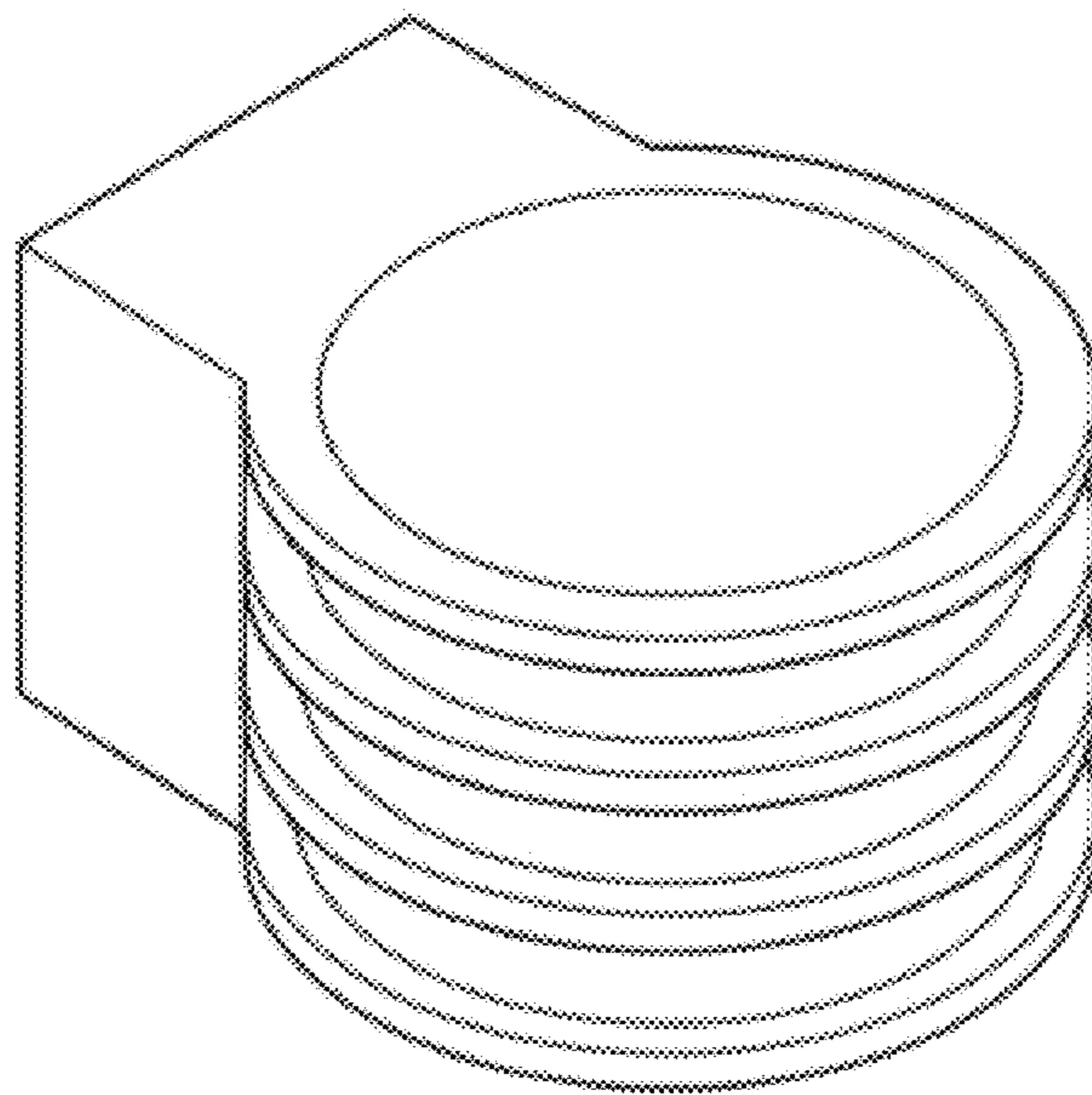


Fig. 1

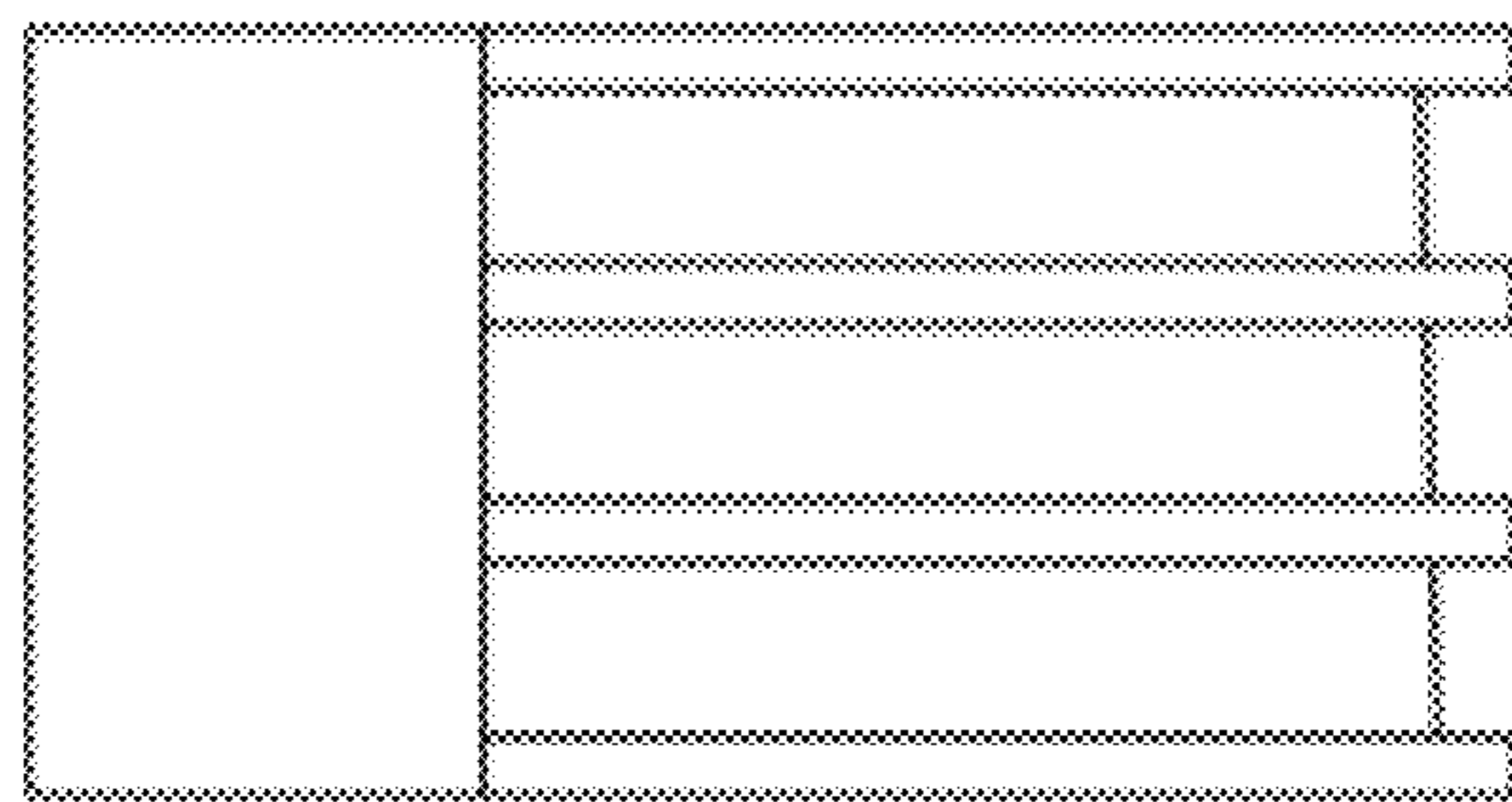


Fig. 2

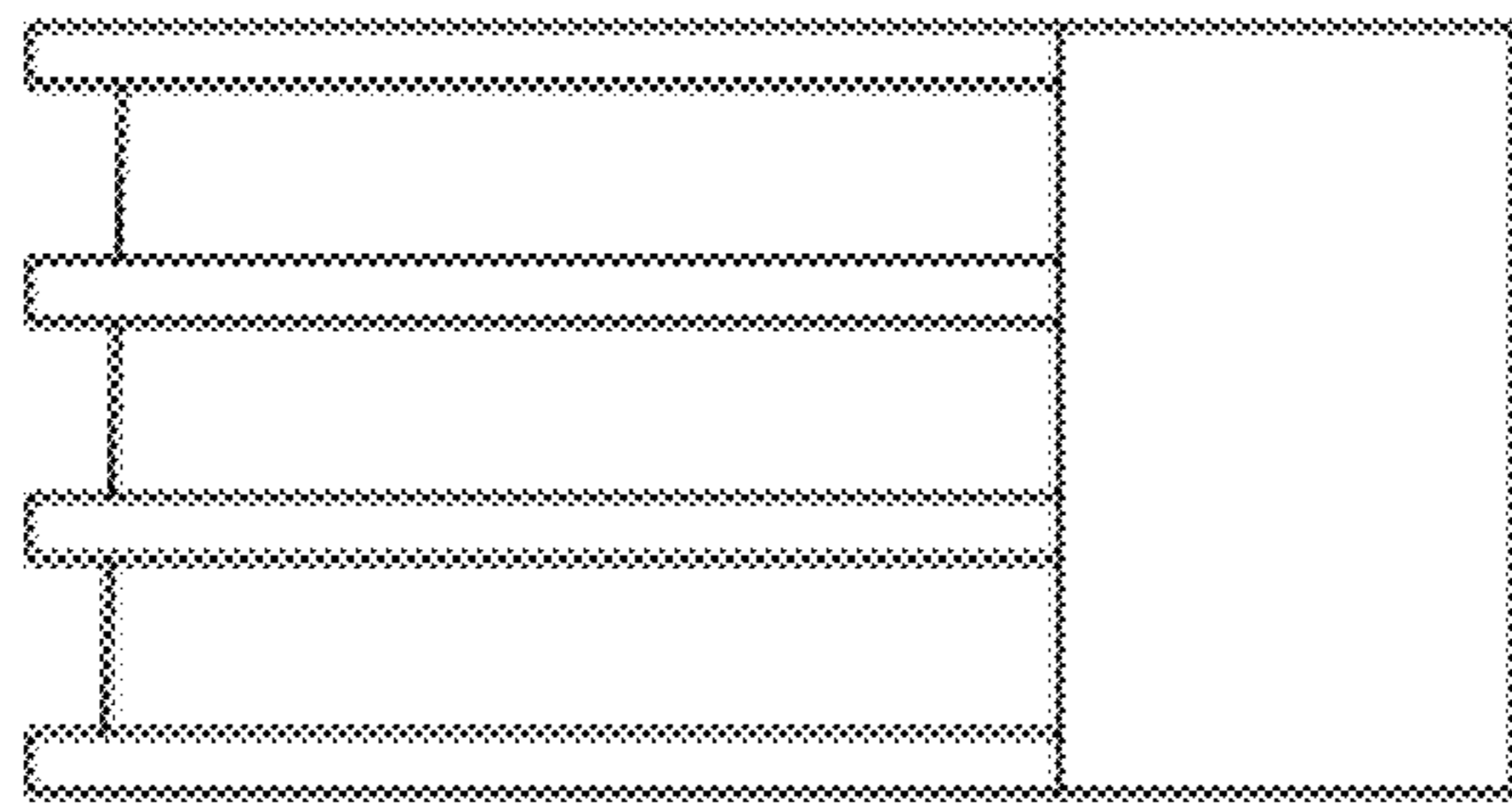


Fig. 3



Fig. 4

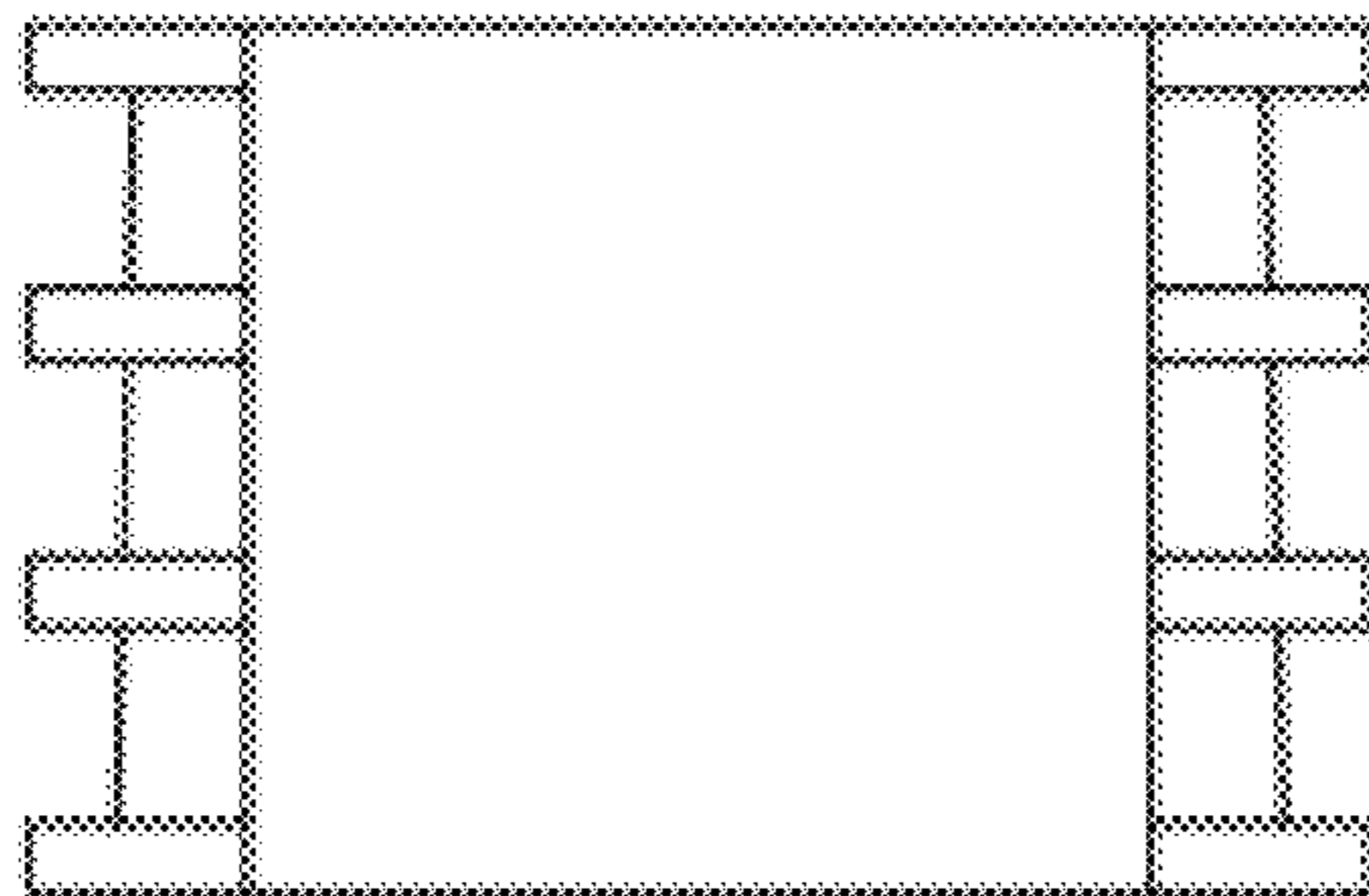


Fig. 5

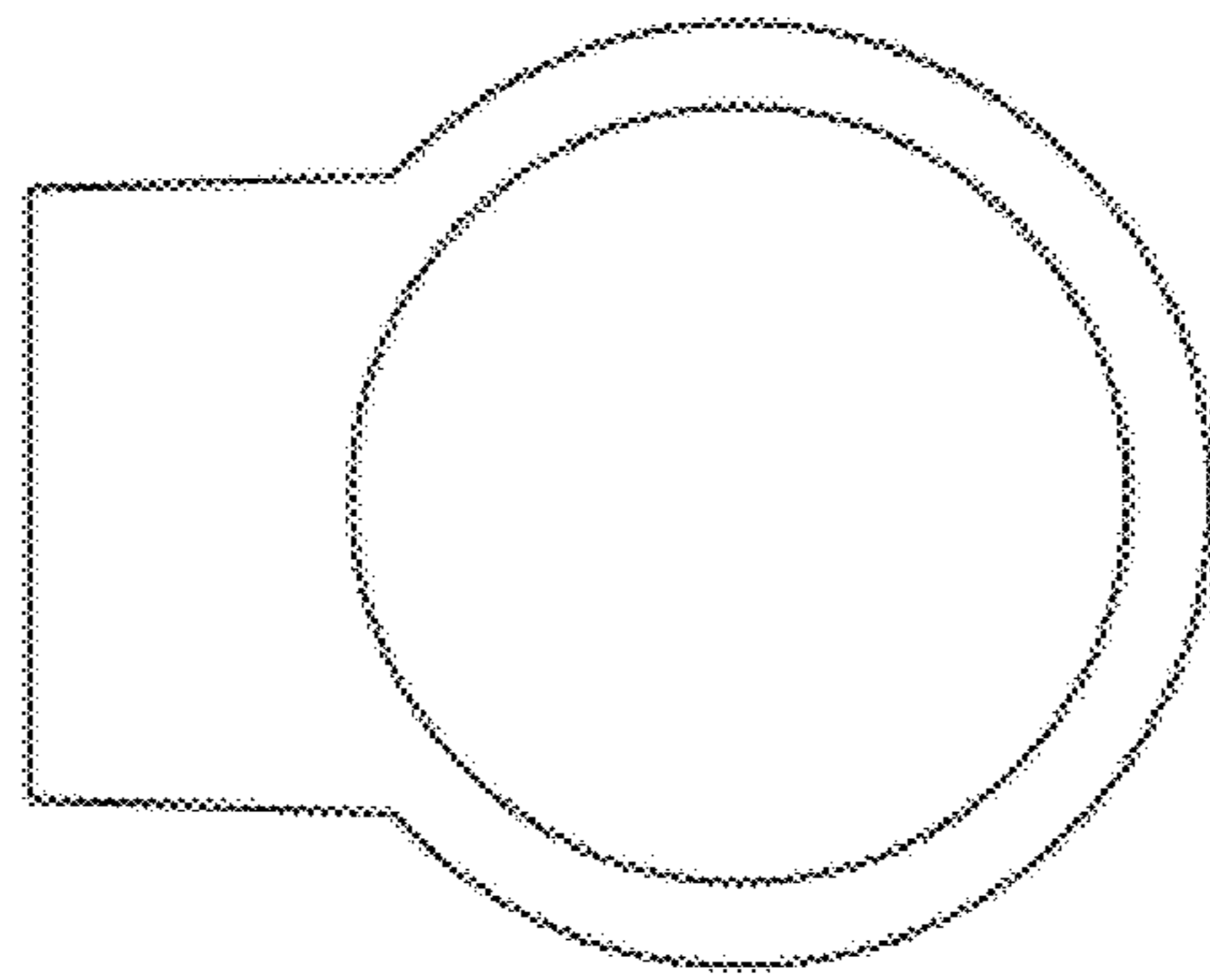


Fig. 6

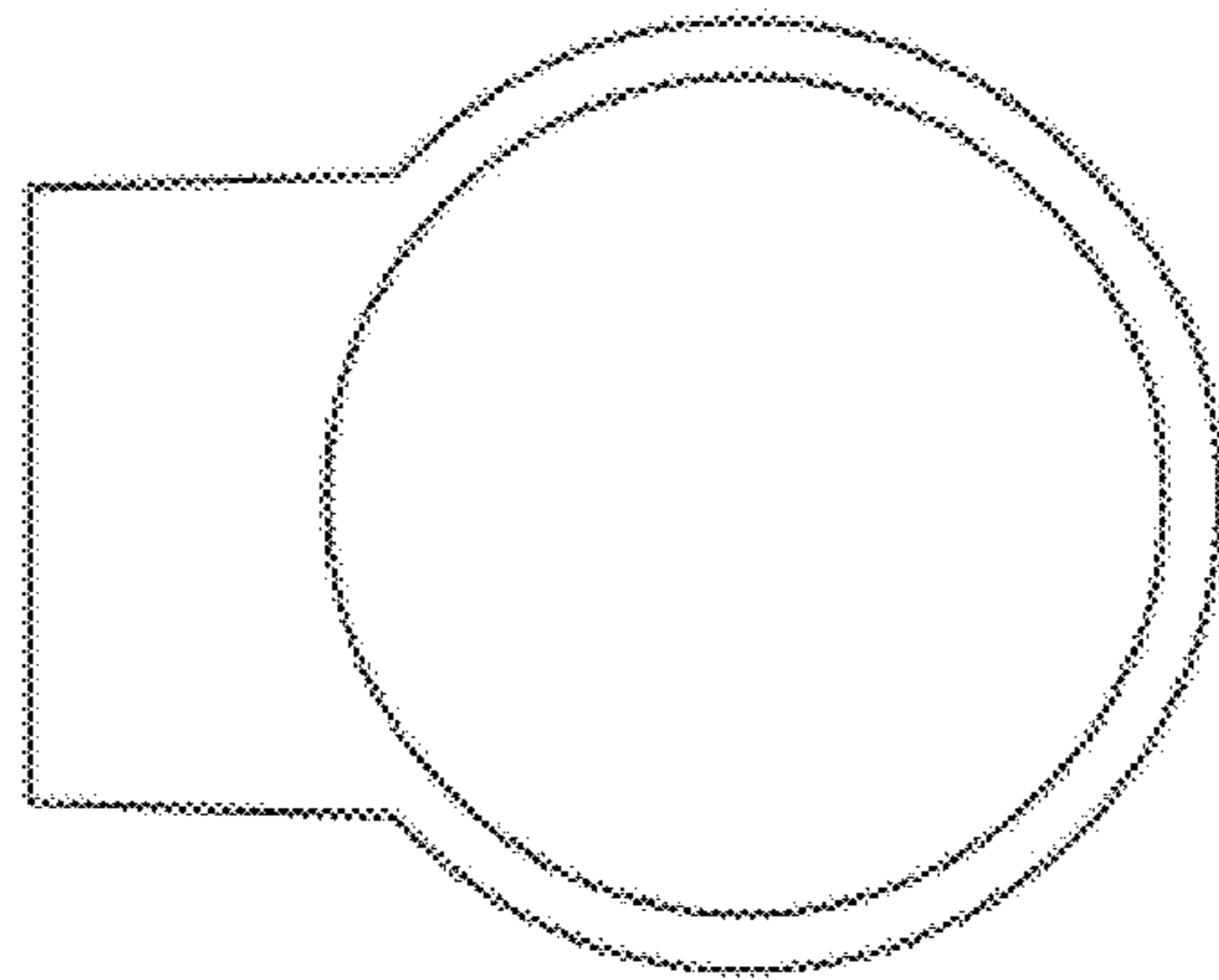


Fig. 7