



US00D881440S

(12) **United States Design Patent**  
**Zhu et al.**

(10) **Patent No.:** **US D881,440 S**

(45) **Date of Patent:** **\*\* Apr. 14, 2020**

(54) **LUMINAIRE**

(71) Applicant: **AESsense Technology Hong Kong Limited**, Harbour, Kowloon (HK)

(72) Inventors: **Yunfeng Zhu**, Taicang (CN);  
**Zhengteng Gu**, Shanghai (CN);  
**Xiaojun Liu**, Lixian of Changde (CN);  
**Youpeng Wang**, Shanghai (CN); **Attila Tomasovics**, San Jose, CA (US)

(73) Assignee: **AESsense Technology Hong Kong Limited**, Harbour (HK)

(\*\*) Term: **15 Years**

(21) Appl. No.: **29/661,659**

(22) Filed: **Aug. 29, 2018**

(51) **LOC (12) Cl.** ..... **26-04**

(52) **U.S. Cl.**  
USPC ..... **D26/76**

(58) **Field of Classification Search**  
USPC ..... D26/24, 39, 59, 67, 68, 69, 70, 71, 72,  
D26/74, 76, 77, 80, 88, 89, 138, 25-28,  
D26/37, 75, 78, 85, 104, 108, 142  
CPC ..... F21S 2/00; F21S 4/00; F21S 4/003; F21S  
4/005; F21S 4/006; F21S 4/007; F21S  
4/008; F21S 6/00; F21S 8/00; F21S 8/04  
See application file for complete search history.

(56) **References Cited**

**U.S. PATENT DOCUMENTS**

- 2,700,095 A \* 1/1955 Needham ..... F21V 33/0092  
219/220
- 2,864,939 A \* 12/1958 Bodian ..... F21S 8/00  
362/222
- D255,851 S \* 7/1980 Crane ..... D26/76
- D494,700 S \* 8/2004 Hartman ..... D26/76
- D596,778 S \* 7/2009 Yamazato ..... D26/76
- 7,635,198 B2 \* 12/2009 Mayfield, III ..... F21S 8/02  
362/220
- D632,418 S \* 2/2011 Bisberg ..... D26/76

- D716,489 S \* 10/2014 O'Leary ..... D26/90
- D744,690 S \* 12/2015 Boyer ..... D26/76
- D757,325 S \* 5/2016 Stanley ..... D26/76
- D759,874 S \* 6/2016 Boyer ..... D26/76
- D780,363 S \* 2/2017 Scribante ..... D26/76
- D780,973 S \* 3/2017 Scribante ..... D26/76
- D789,589 S \* 6/2017 Yorio ..... D26/76

(Continued)

**OTHER PUBLICATIONS**

Gavita Horticultural Lighting, "Gavita Pro 1650 e LED ML", Vancouver, Washington (Sep. 2018) pp. 1-4.

*Primary Examiner* — Mark A Goodwin

*Assistant Examiner* — Benjamin M Weeks

(74) *Attorney, Agent, or Firm* — David T. Millers

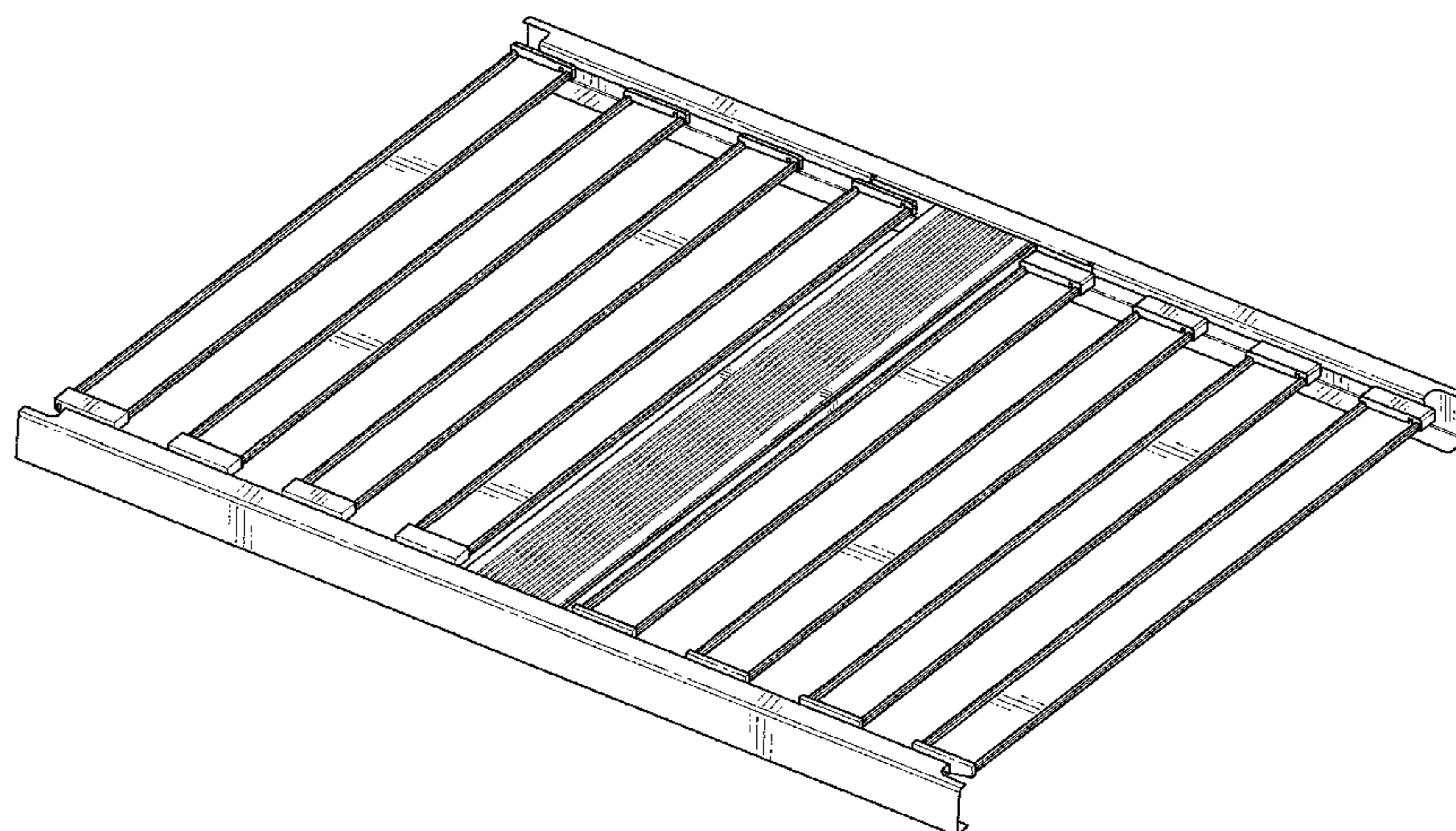
(57) **CLAIM**

The ornamental design for a luminaire, as shown and described.

**DESCRIPTION**

FIG. 1 is a perspective view of the luminaire from below.  
 FIG. 2 is a perspective view of the luminaire from above.  
 FIG. 3 is a bottom plan view of the luminaire.  
 FIG. 4 is a top plan view of the luminaire.  
 FIG. 5 shows an elevation view of the left side of the luminaire.  
 FIG. 6 shows an elevation view of the right side of the luminaire.  
 FIG. 7 shows an elevation view of the front of the luminaire.  
 FIG. 8 shows an elevation view of the back of the luminaire; and,  
 FIG. 9 is a perspective view of the luminaire from above with mounting structure that is not part of the claimed design.  
 The broken lines are for illustrative purpose only and form no part of the claimed design.

**1 Claim, 7 Drawing Sheets**



(56)

**References Cited**

U.S. PATENT DOCUMENTS

D791,999	S	*	7/2017	Hargreaves	.....	D26/76
D822,873	S	*	7/2018	Bobel	.....	D26/76
D854,728	S	*	7/2019	Velez	.....	D26/85
2006/0023445	A1	*	2/2006	Haugaard	.....	F21S 8/06
						362/225
2016/0069522	A1	*	3/2016	Rao	.....	F21K 9/27
						362/219

\* cited by examiner

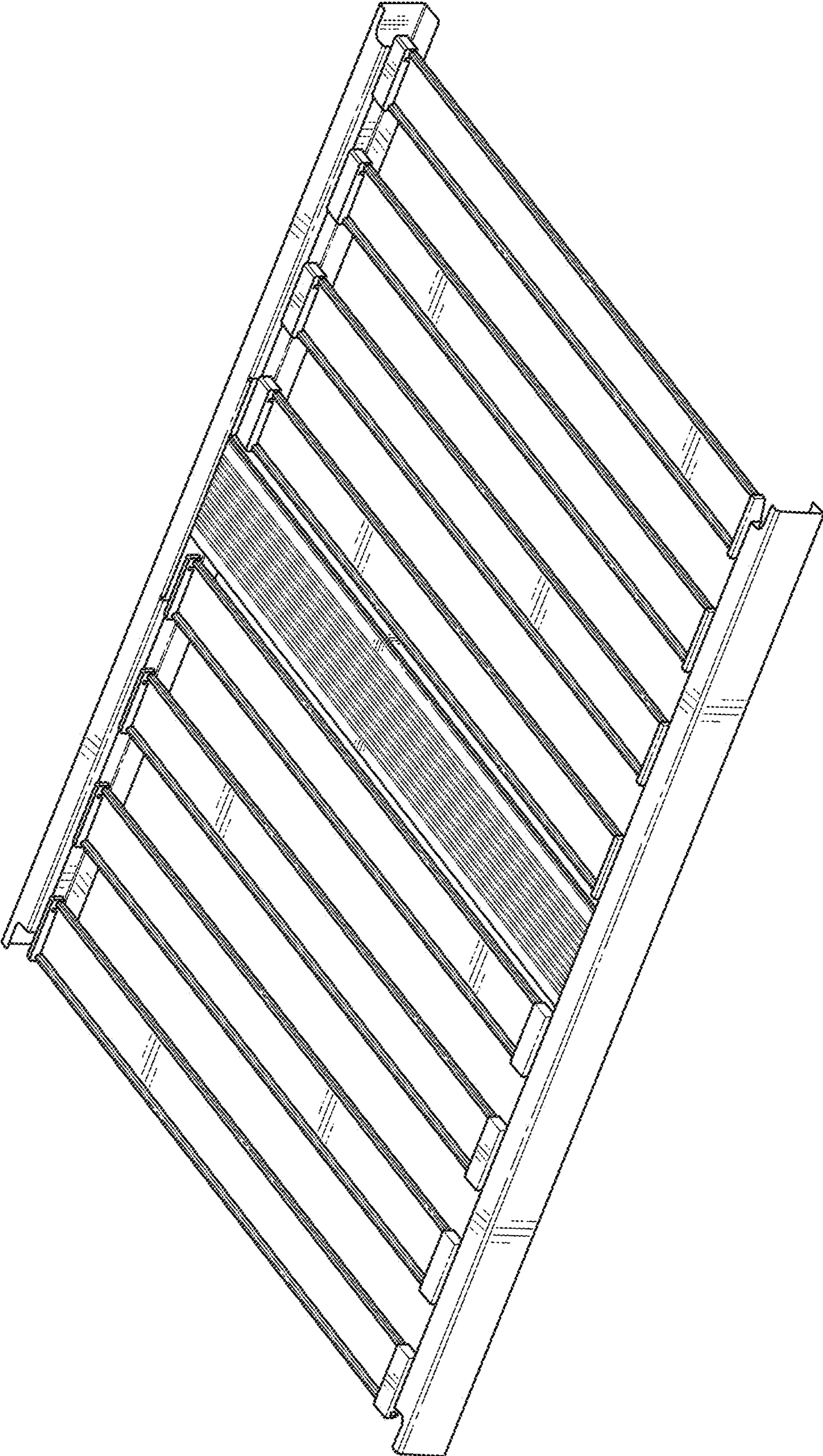


FIG. 1

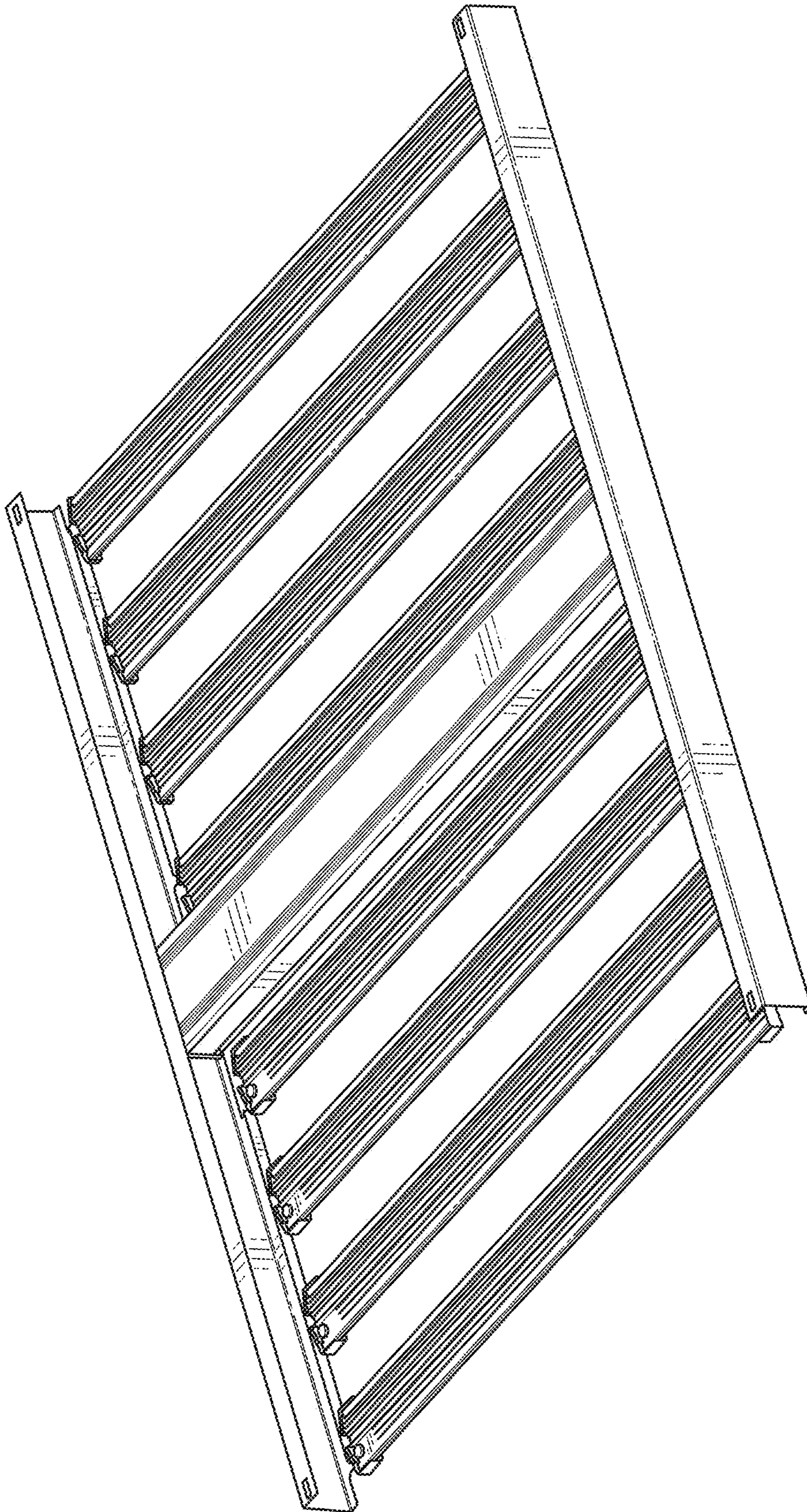


FIG. 2

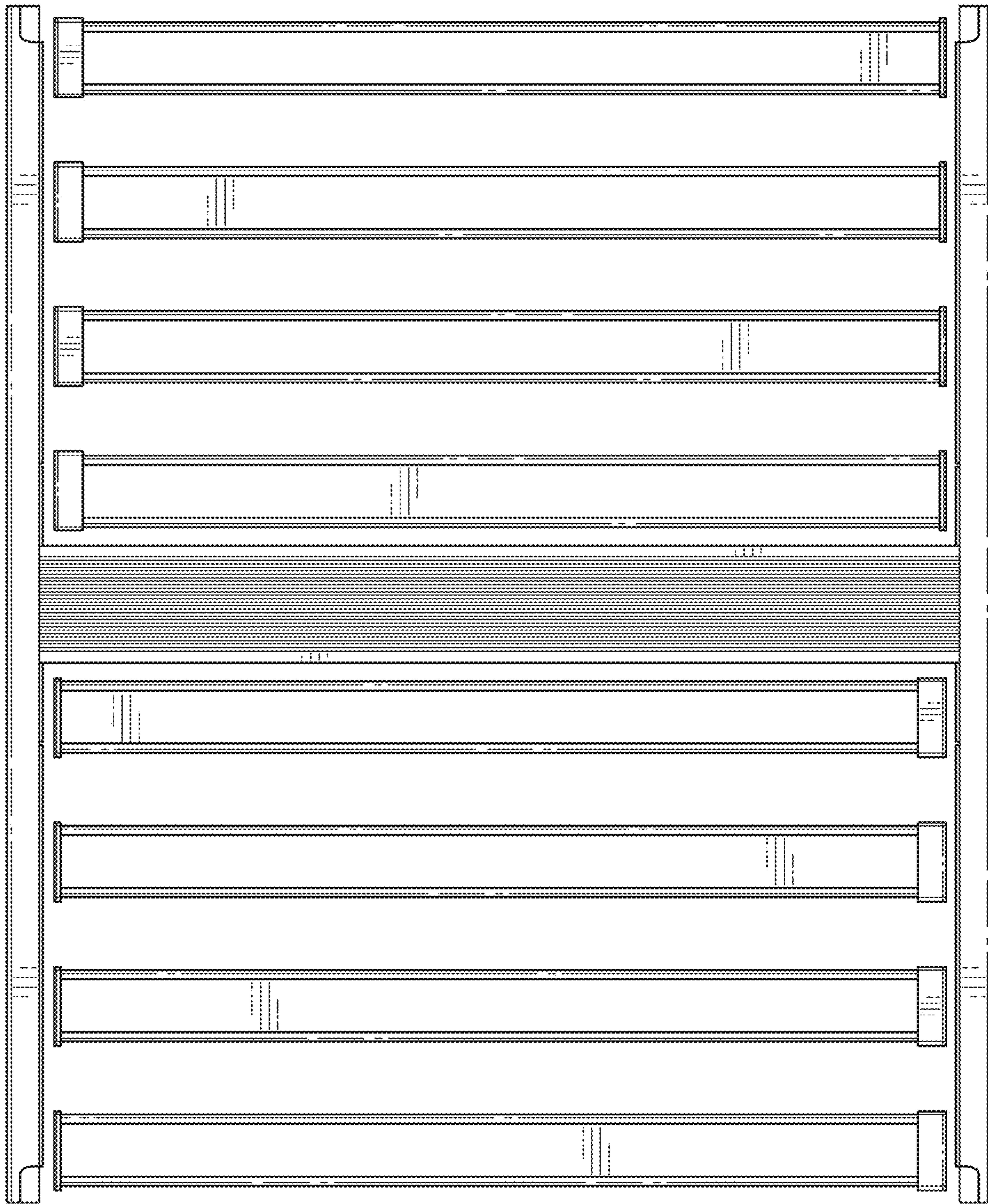


FIG. 3

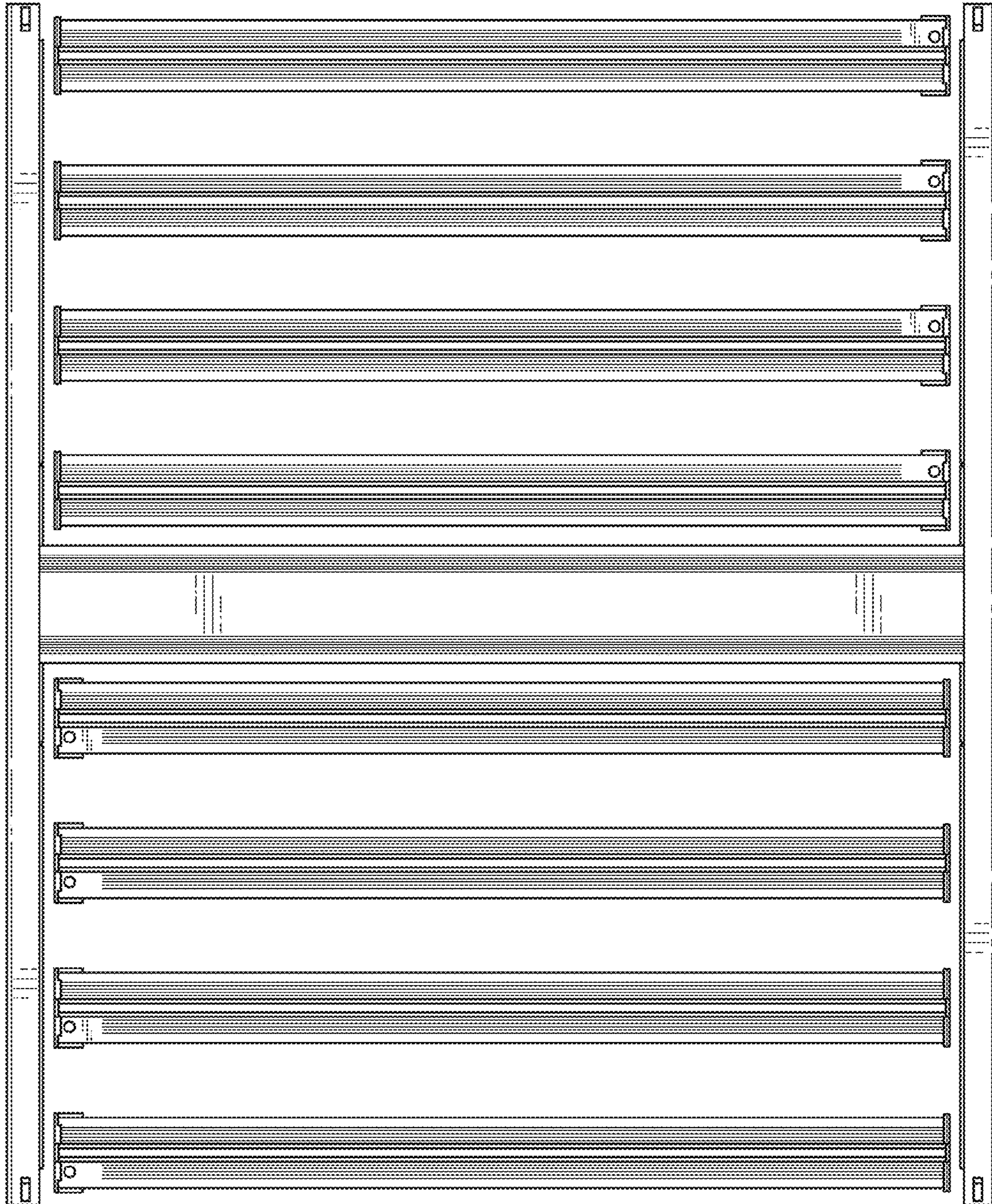


FIG. 4

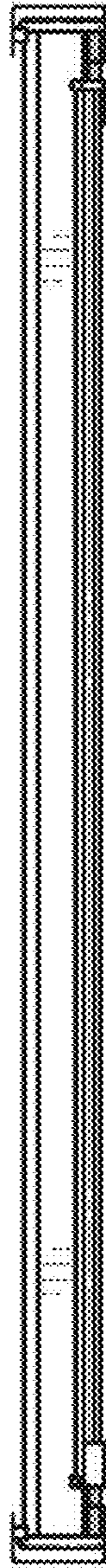


FIG. 5

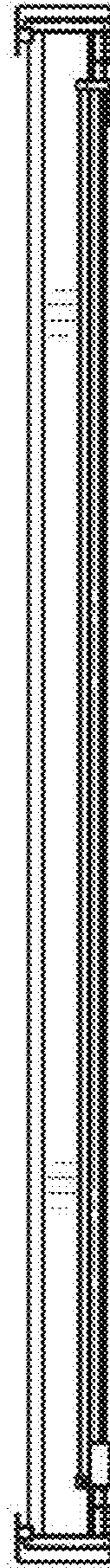


FIG. 6

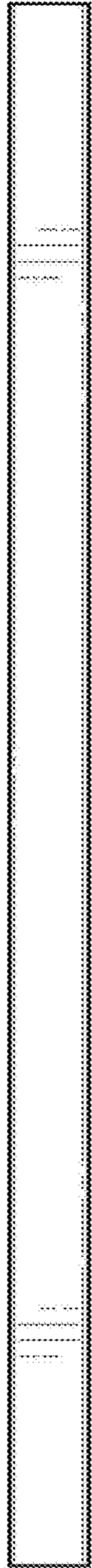


FIG. 7



FIG. 8



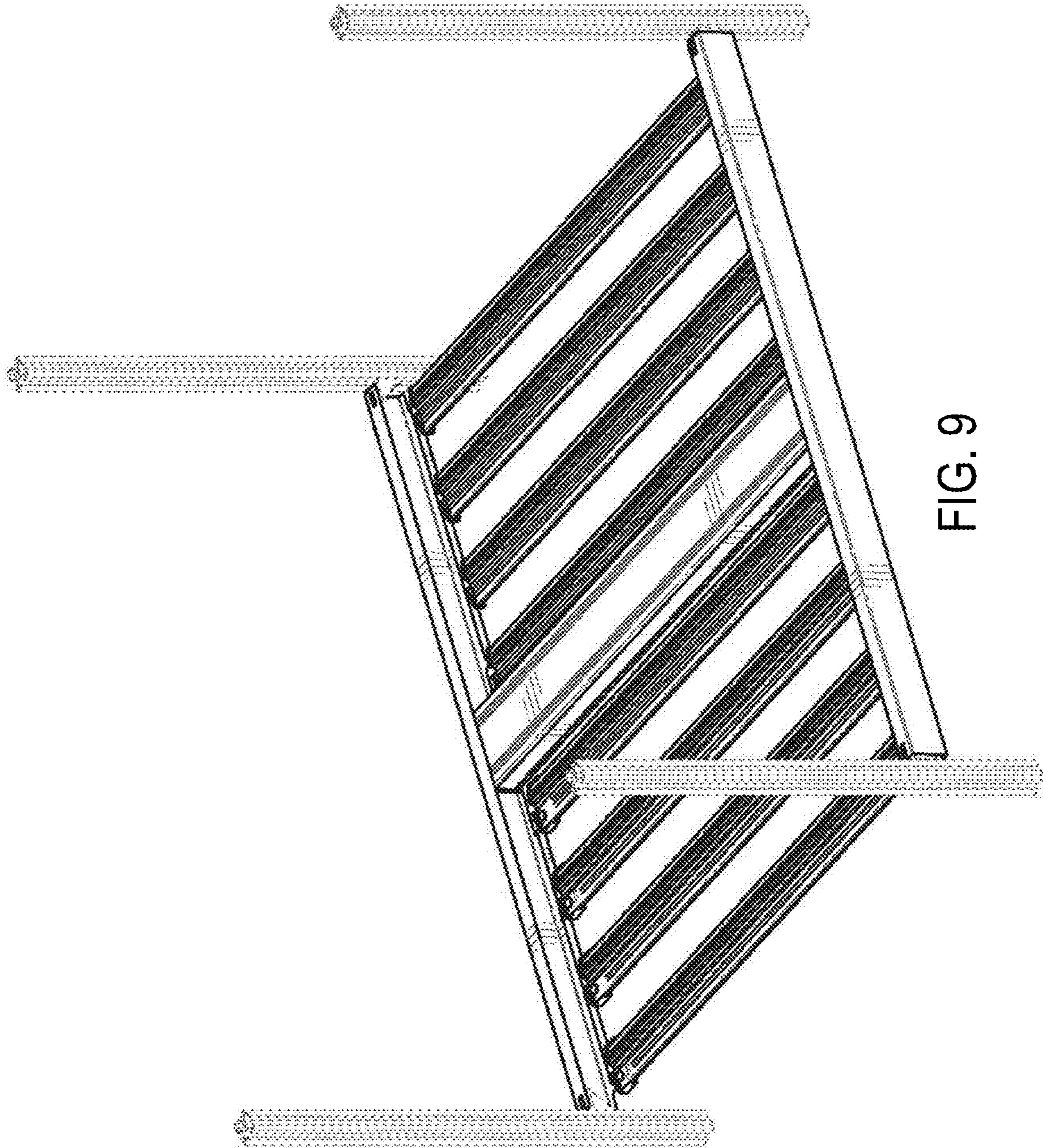


FIG. 9