



US00D881438S

(12) **United States Design Patent** (10) **Patent No.:** **US D881,438 S**  
**Dahlen et al.** (45) **Date of Patent:** **\*\* Apr. 14, 2020**

- (54) **LIGHTING FIXTURE**
- (71) Applicant: **Kenall Manufacturing Company,**  
Kenosha, WI (US)
- (72) Inventors: **Kevin Dahlen,** Kenosha, WI (US);  
**Brandon Stolte,** Lindenhurst, IL (US)
- (73) Assignee: **Kenall Manufacturing Company,**  
Kenosha, WI (US)

7,980,736 B2 *	7/2011	Soderman	.....	F21K 9/00	362/249.02
D673,320 S *	12/2012	Guercio	.....	D26/89	
D687,585 S *	8/2013	Kim	.....	D26/72	
D699,885 S *	2/2014	Sabernig	.....	D26/89	
D705,978 S *	5/2014	Rhodes	.....	D26/89	
D783,883 S *	4/2017	Cortez	.....	D26/89	
D797,980 S *	9/2017	Maxik	.....	D26/89	
D800,370 S *	10/2017	Sonneman	.....	D26/89	
D811,642 S *	2/2018	Liang	.....	D26/72	
D824,079 S *	7/2018	Maxik	.....	D26/89	

(Continued)

(\*\*) Term: **15 Years**

(21) Appl. No.: **29/679,994**

(22) Filed: **Feb. 12, 2019**

**Related U.S. Application Data**

- (62) Division of application No. 29/612,512, filed on Aug. 1, 2017, now Pat. No. Des. 846,173.
- (51) **LOC (12) Cl.** ..... **26-05**
- (52) **U.S. Cl.**  
USPC ..... **D26/72; D26/89**
- (58) **Field of Classification Search**  
USPC ..... D26/72, 79, 89  
CPC ..... F21S 8/03; F21S 8/031; F21S 8/04; F21S 8/043; F21S 8/06; F21S 8/063; F21V 29/76; F21V 29/763; F21V 29/767; F21V 29/77; F21V 29/78; F21W 2131/1005; F21W 2131/107; F21W 2131/402  
See application file for complete search history.

(56) **References Cited**

**U.S. PATENT DOCUMENTS**

D79,855 S *	11/1929	Schnell	.....	D26/36
D190,827 S *	7/1961	Phillips	.....	D26/89
3,705,302 A *	12/1972	Judge	.....	F21S 8/06
				362/222
D509,617 S *	9/2005	Benghozi	.....	D26/74
D608,044 S *	1/2010	Pickett	.....	D26/128

**OTHER PUBLICATIONS**

SenScape® Luminaires Brochure from Kenall Mfg., Co. © 2017.  
(Year: 2017).\*

(Continued)

*Primary Examiner* — Clare E Hefflin  
(74) *Attorney, Agent, or Firm* — Christopher M. Scherer;  
DeWitt LLP

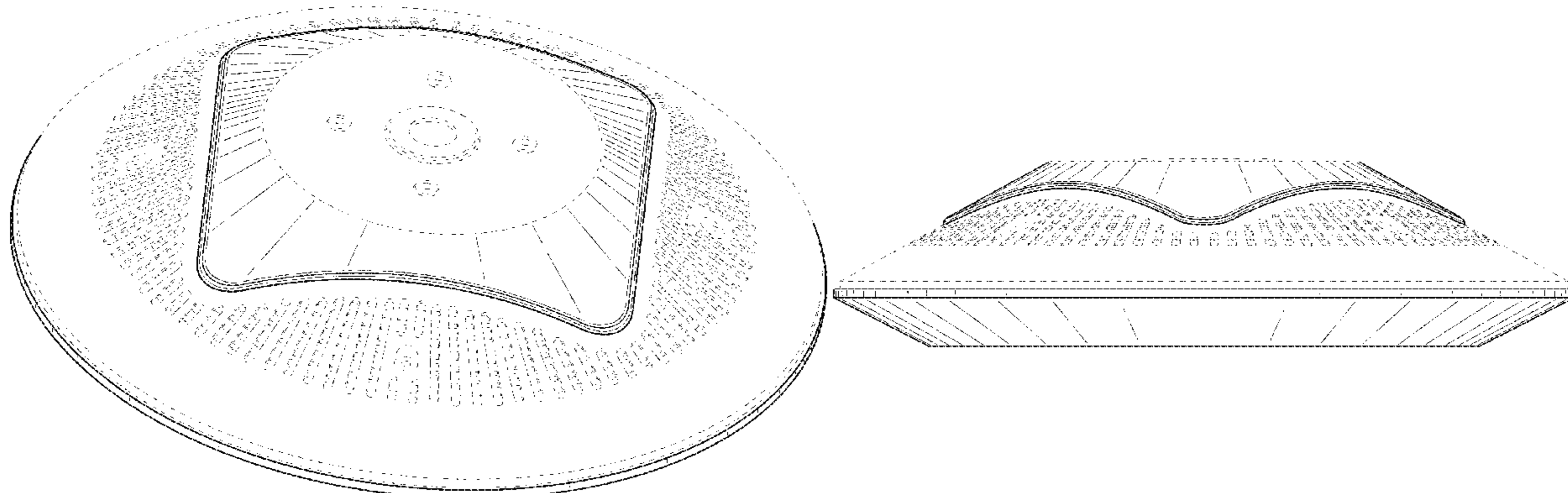
(57) **CLAIM**

The ornamental design for a lighting fixture, as shown and described.

**DESCRIPTION**

FIG. 1 is a bottom perspective view showing the new design for a lighting fixture;  
FIG. 2 is a top perspective view of the lighting fixture of FIG. 1;  
FIG. 3 is a right-side view of the lighting fixture of FIG. 1;  
FIG. 4 is a left-side view of the lighting fixture of FIG. 1;  
FIG. 5 is a top view of the lighting fixture of FIG. 1; and,  
FIG. 6 is a bottom view of the lighting fixture of FIG. 1.  
The dashed lines showing portions of the lighting fixture are included for the purpose of illustrating environment and form no part of the claimed invention.

**1 Claim, 6 Drawing Sheets**



(56)

**References Cited**

U.S. PATENT DOCUMENTS

D846,173 S \* 4/2019 Dahlen ..... D26/72  
2010/0110699 A1 \* 5/2010 Chou ..... F21S 8/026  
362/365  
2011/0080727 A1 \* 4/2011 Maxik ..... F21S 8/026  
362/235  
2013/0322079 A1 \* 12/2013 Guercio ..... F21S 8/04  
362/249.01  
2014/0301076 A1 \* 10/2014 Ter-Hovhannisyan .....  
F21V 17/16  
362/235  
2017/0268736 A1 \* 9/2017 Harpenau ..... F21S 8/043  
2018/0119934 A1 \* 5/2018 Schneider ..... F21S 8/061

OTHER PUBLICATIONS

Fabbian Loop F35—Wall/Ceiling Lamp from LightForm, © 2016.  
(Year: 2016).\*

\* cited by examiner

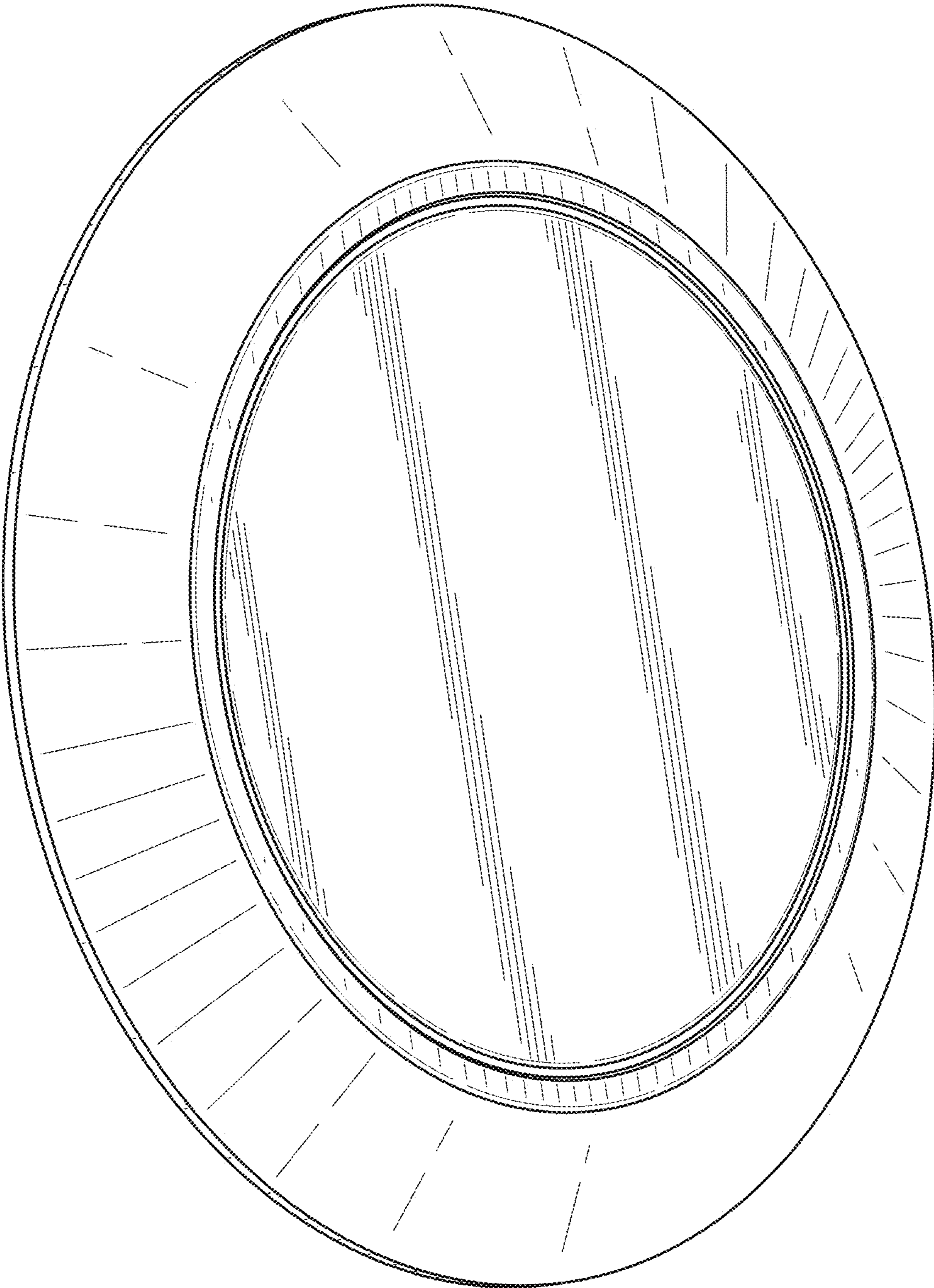
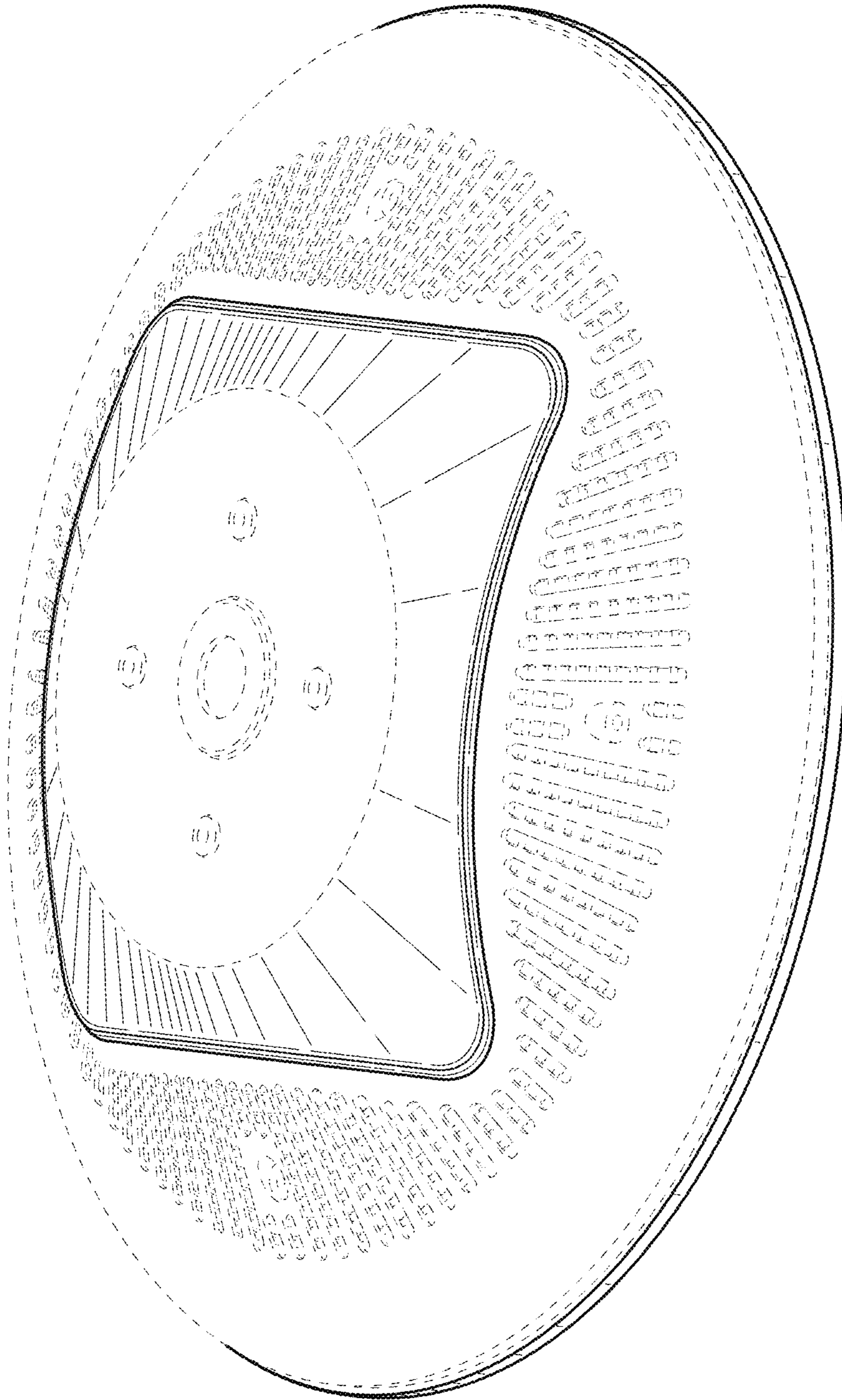
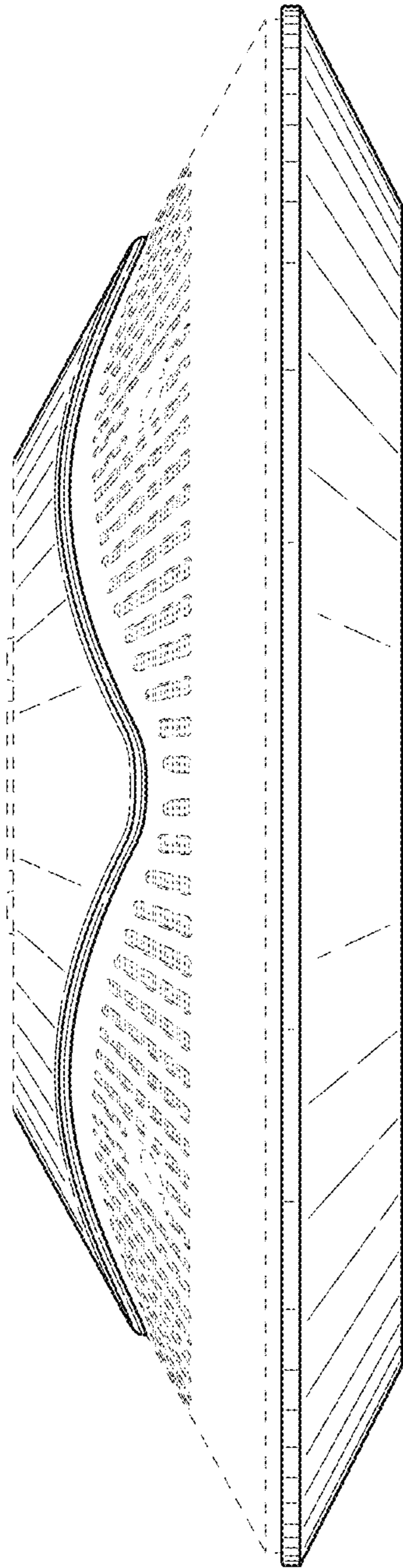


FIG. 1



**FIG. 2**



**FIG. 3**

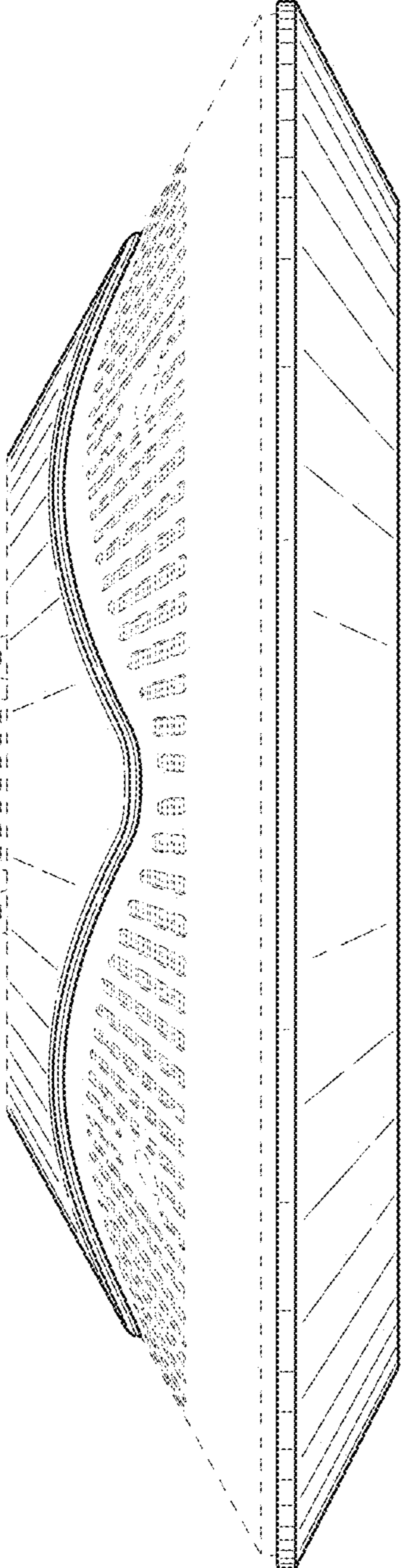
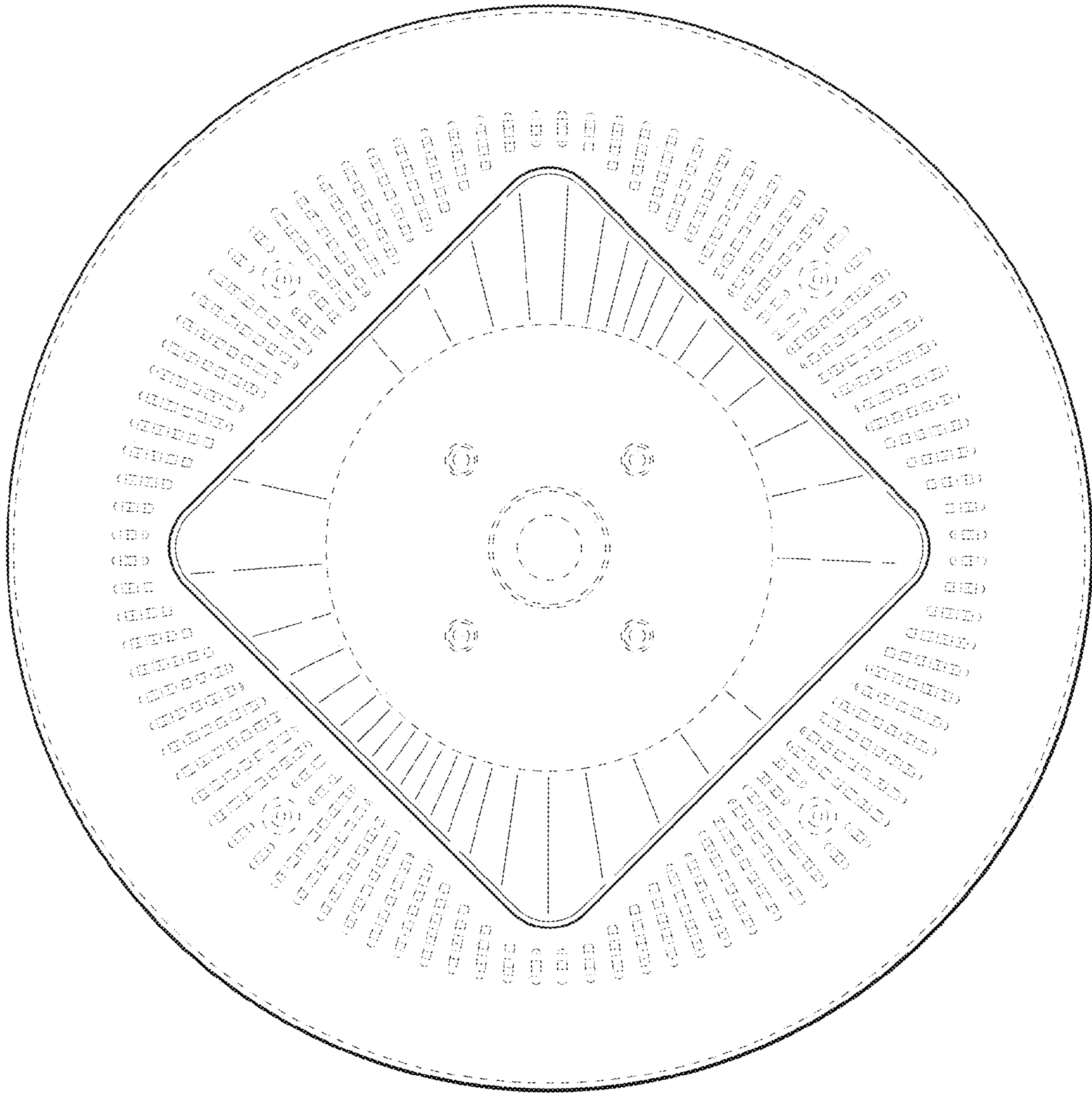
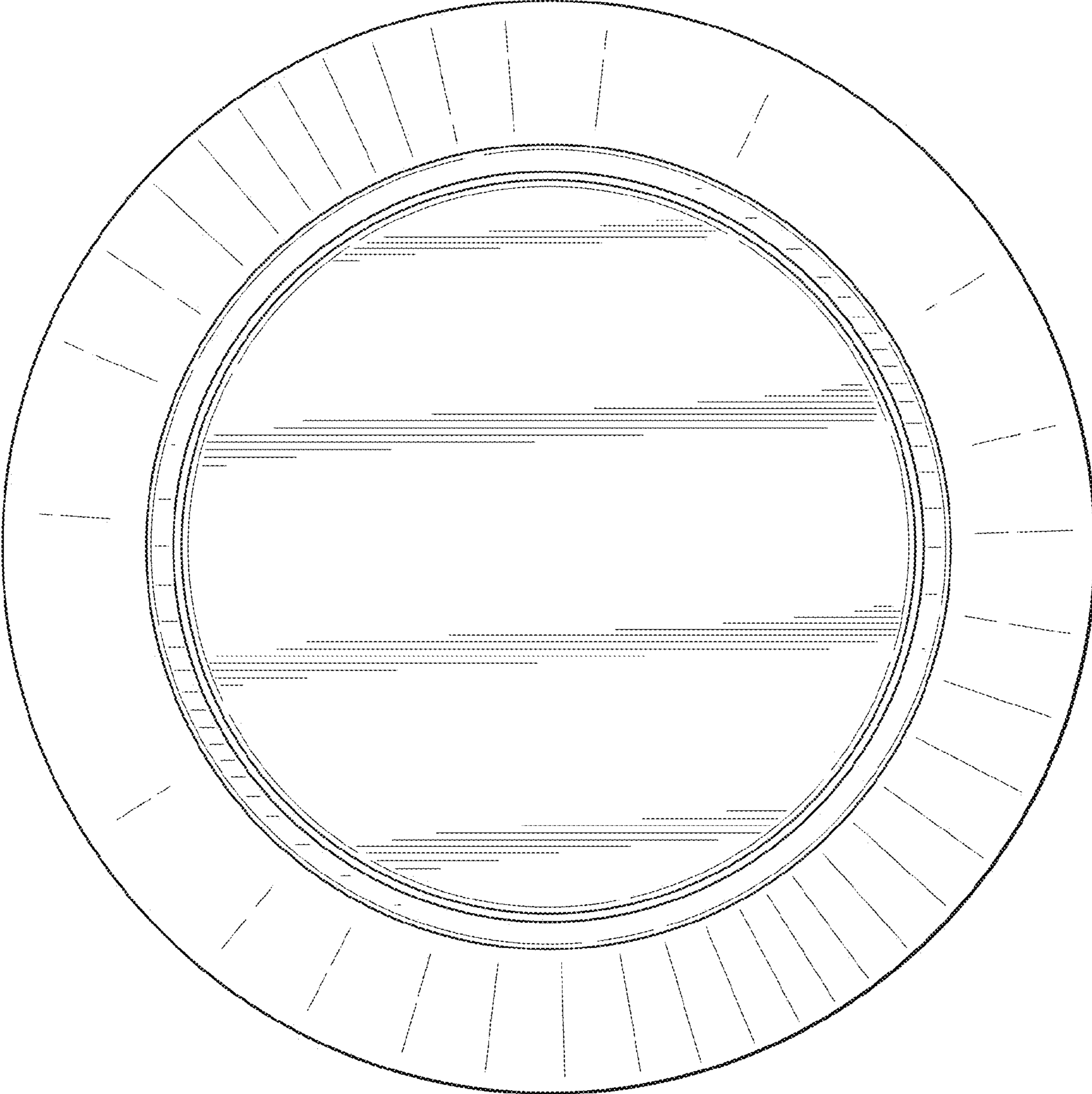


FIG. 4



**FIG. 5**



**FIG. 6**