



US00D881436S

(12) **United States Design Patent**  
**Yan**

(10) **Patent No.:** **US D881,436 S**

(45) **Date of Patent:** **\*\* Apr. 14, 2020**

(54) **SOLAR LIGHT**

(71) Applicant: **Wei Yan**, Ningbo (CN)

(72) Inventor: **Wei Yan**, Ningbo (CN)

(\*\*) Term: **15 Years**

(21) Appl. No.: **29/713,590**

(22) Filed: **Nov. 18, 2019**

(51) **LOC (12) Cl.** ..... **26-05**

(52) **U.S. Cl.**  
USPC ..... **D26/67**

(58) **Field of Classification Search**  
USPC ..... D26/67-70  
CPC .. F21S 8/081; F21S 8/083; F21S 8/088; F21S  
8/032; F21S 9/037; F21V 3/023; F21V  
21/0824; F21W 2111/023; F21W  
2131/109

See application file for complete search history.

(56) **References Cited**

**U.S. PATENT DOCUMENTS**

D397,233 S	8/1998	Bassford	
D605,326 S	12/2009	Sanoner	
D621,541 S	8/2010	Hamel	
D822,253 S *	7/2018	Wu	D26/68
D834,233 S *	11/2018	Mishan	D26/67
D838,891 S *	1/2019	Mishan	D26/67
D841,879 S *	2/2019	Hollinger	D26/142
D842,521 S *	3/2019	Hollinger	D26/67
D842,522 S *	3/2019	Mishan	D26/67
D842,523 S *	3/2019	Mishan	D26/67
D864,452 S *	10/2019	Wei	D26/67
D866,839 S *	11/2019	Yan	D26/67

2017/0159927 A1 *	6/2017	Hui	F21V 31/00
2017/0184260 A1 *	6/2017	Munoz Abogabir	H02S 20/00
2018/0149350 A1 *	5/2018	Johnson-Gray	H01R 13/5213
2019/0128486 A1 *	5/2019	Hollinger	F21L 4/04

**OTHER PUBLICATIONS**

Solar Disk Light by Autbye / ASIN: B07XSXZRS6 , at amazon.com visited Feb. 20, 2020. (Year: 2020).\*

8 LED Solar Power Buried Light by Wenjuan, at amazon.com Dec. 5, 2017. (Year: 2017).\*

Leknes Solar Ground Lights Model No. B07S1RDW23, sold at amazon.com May 20, 2019. (Year: 2019).\*

\* cited by examiner

*Primary Examiner* — Clare E Heflin

(57) **CLAIM**

The ornamental design for a solar light, as shown and described.

**DESCRIPTION**

FIG. 1 is a perspective view of a solar light showing my new design;

FIG. 2 is another perspective view thereof;

FIG. 3 is a front elevational view thereof;

FIG. 4 is a rear elevational view thereof;

FIG. 5 is a left side elevational view thereof;

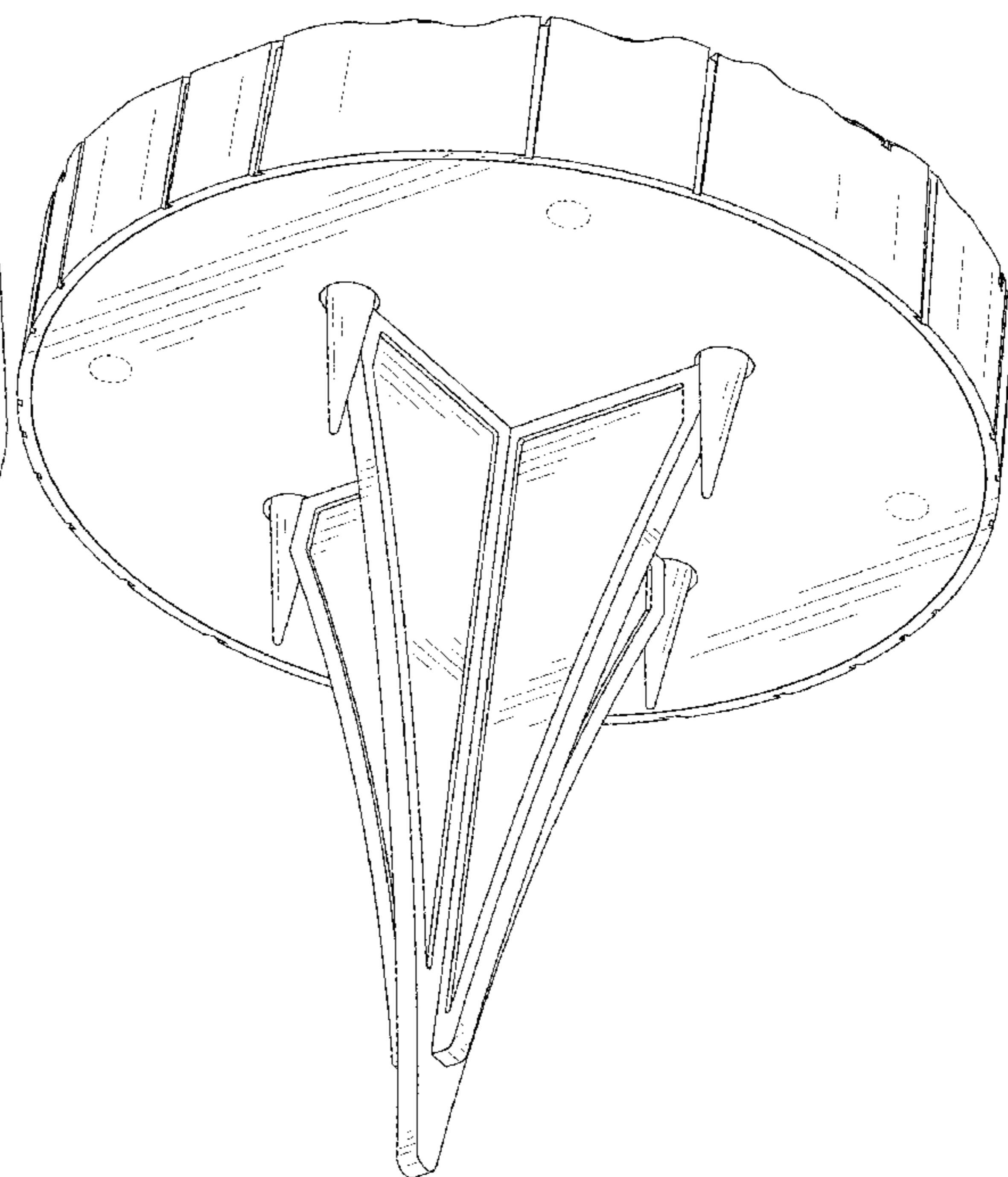
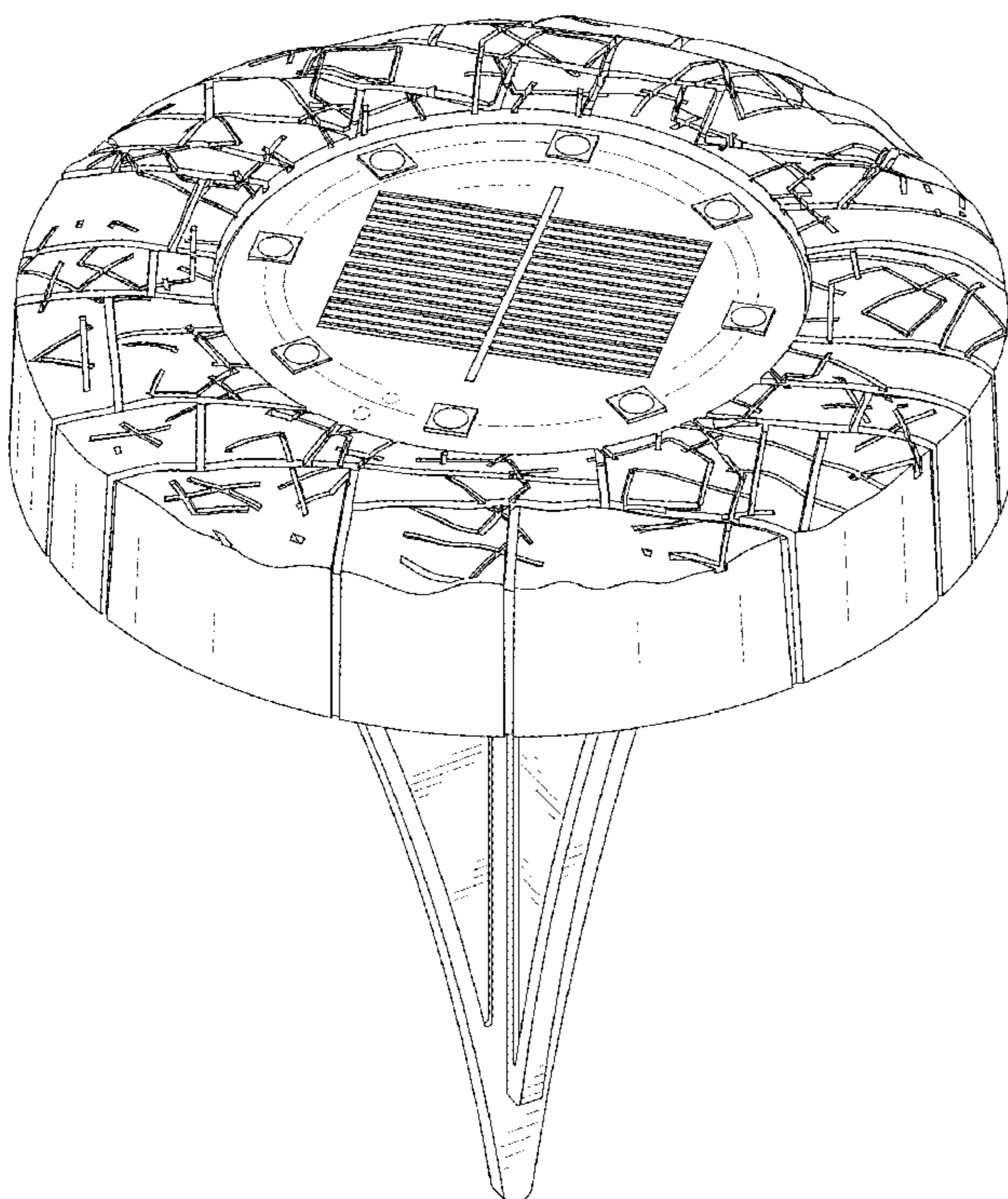
FIG. 6 is a right side elevational view thereof;

FIG. 7 is a top plan view thereof; and,

FIG. 8 is a bottom plan view thereof.

The broken lines in the drawings depict portions of the solar light that form no part of the claimed design.

**1 Claim, 8 Drawing Sheets**



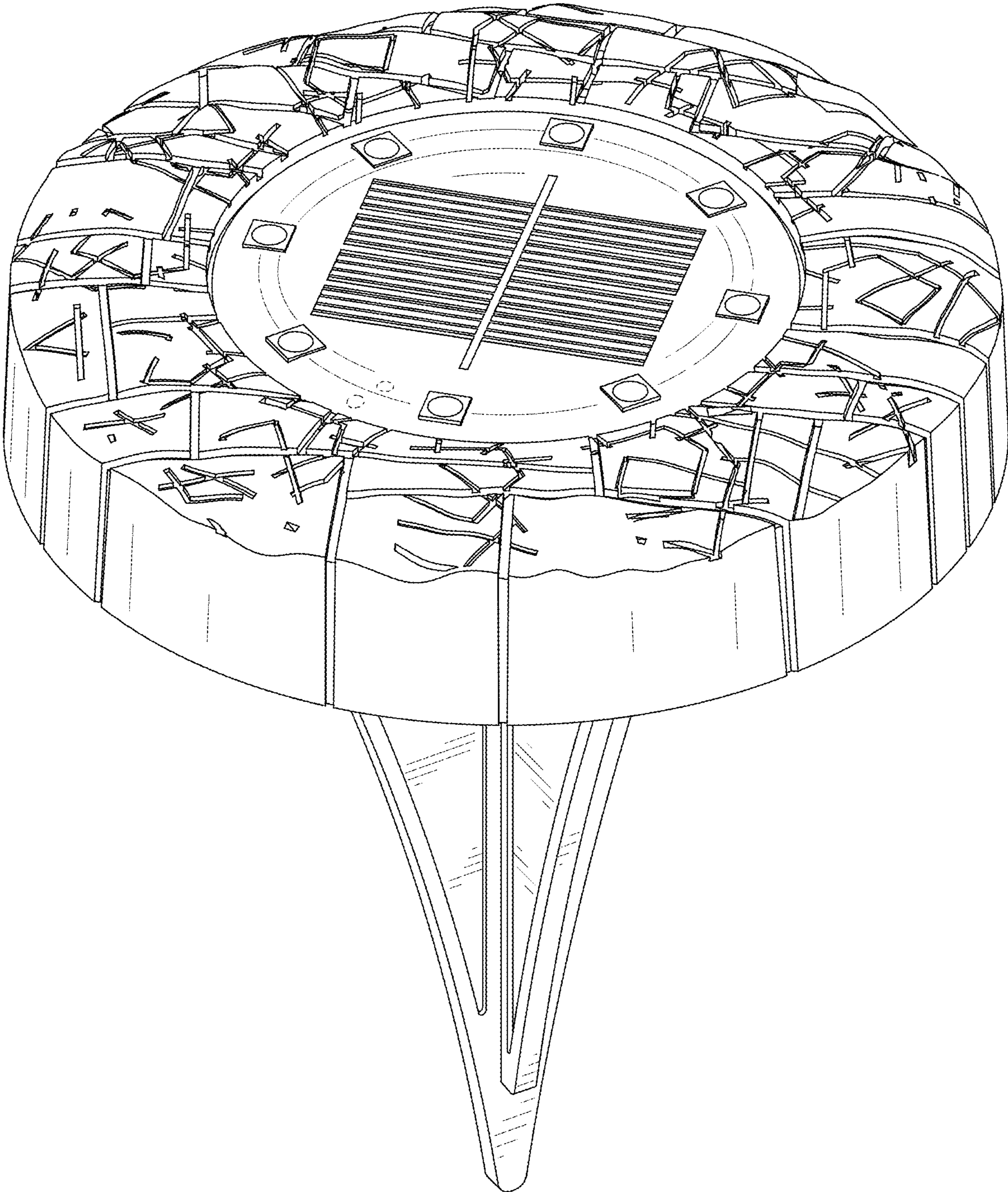


FIG. 1

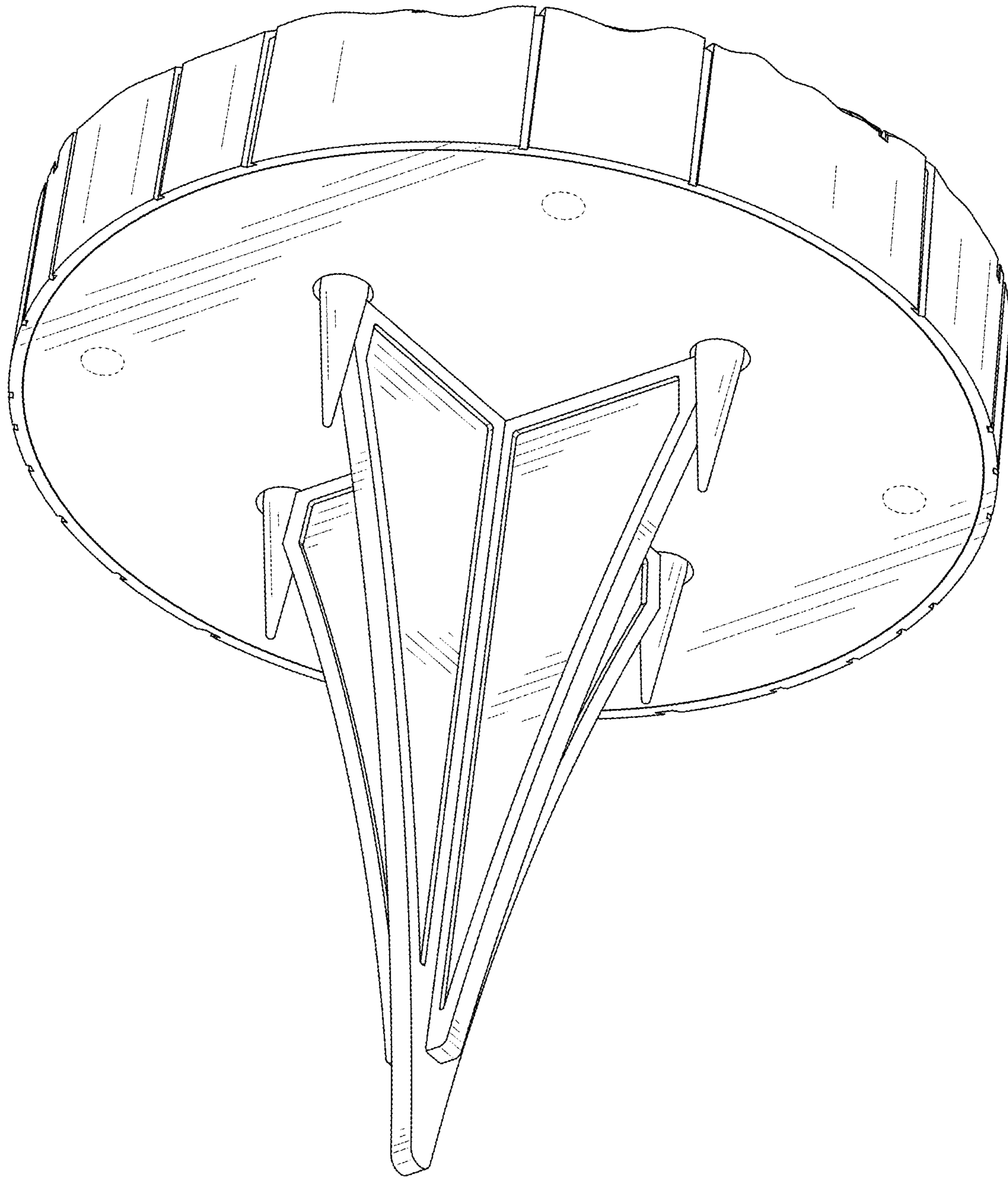


FIG. 2

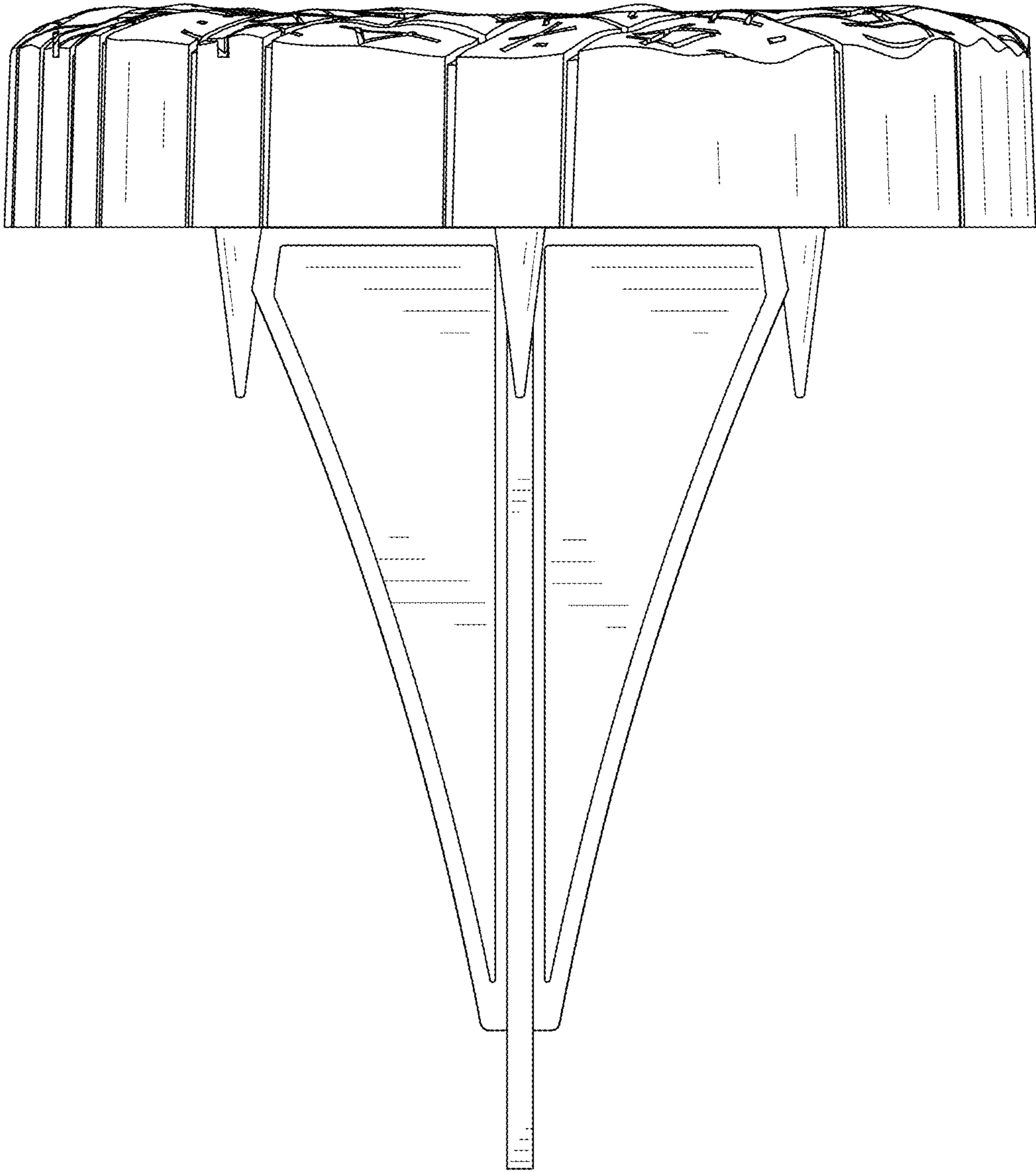


FIG. 3

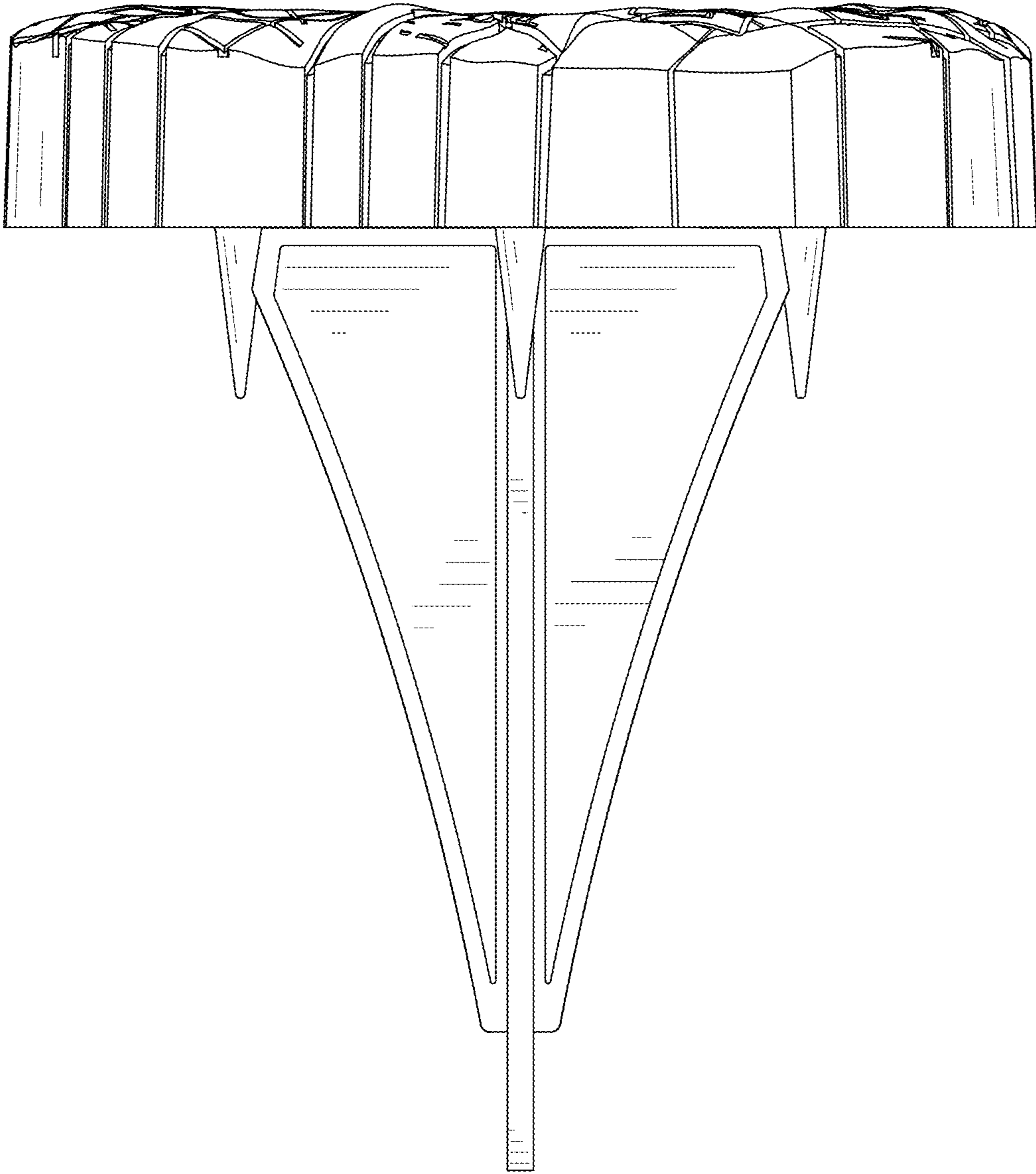


FIG. 4

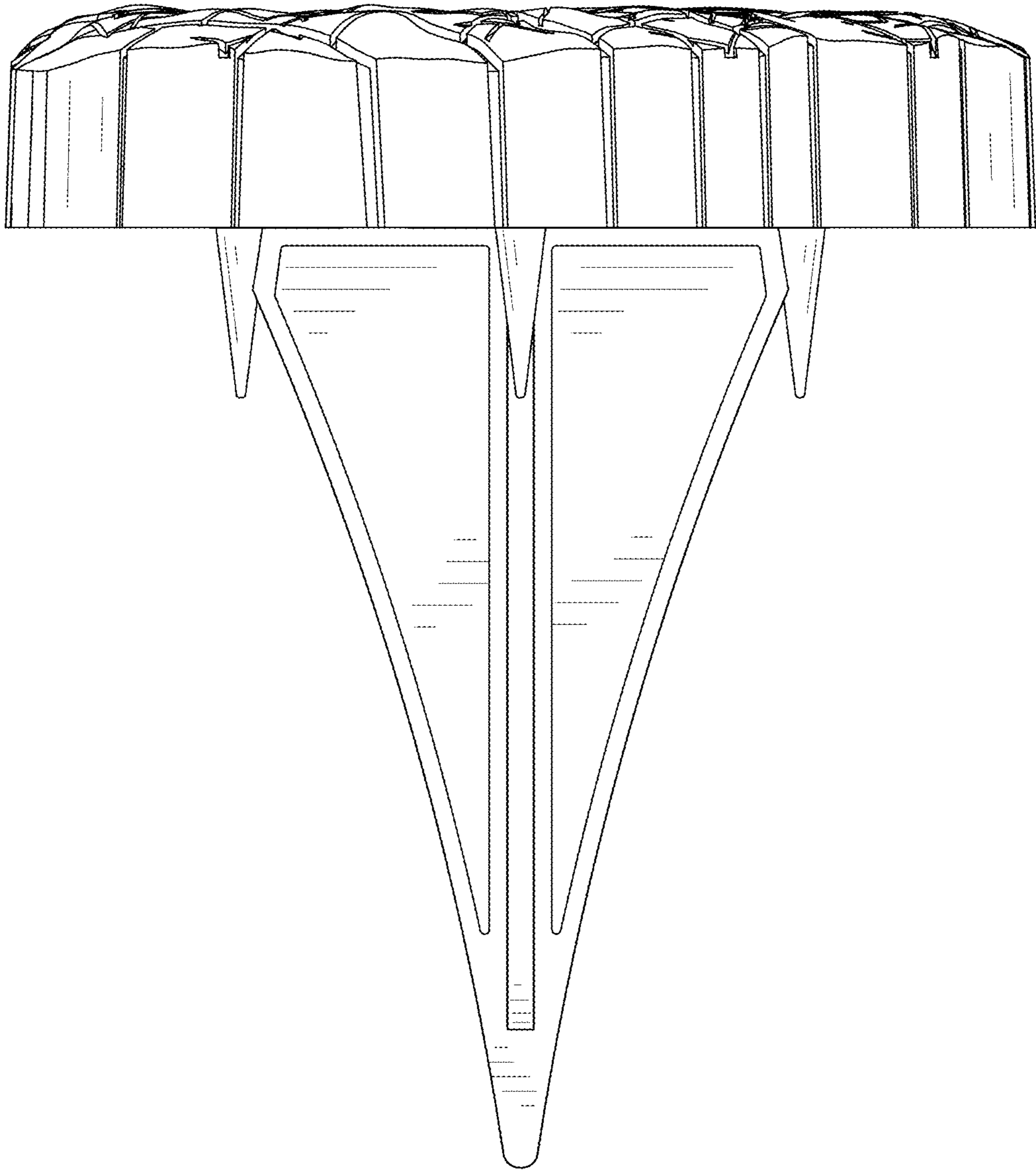


FIG. 5

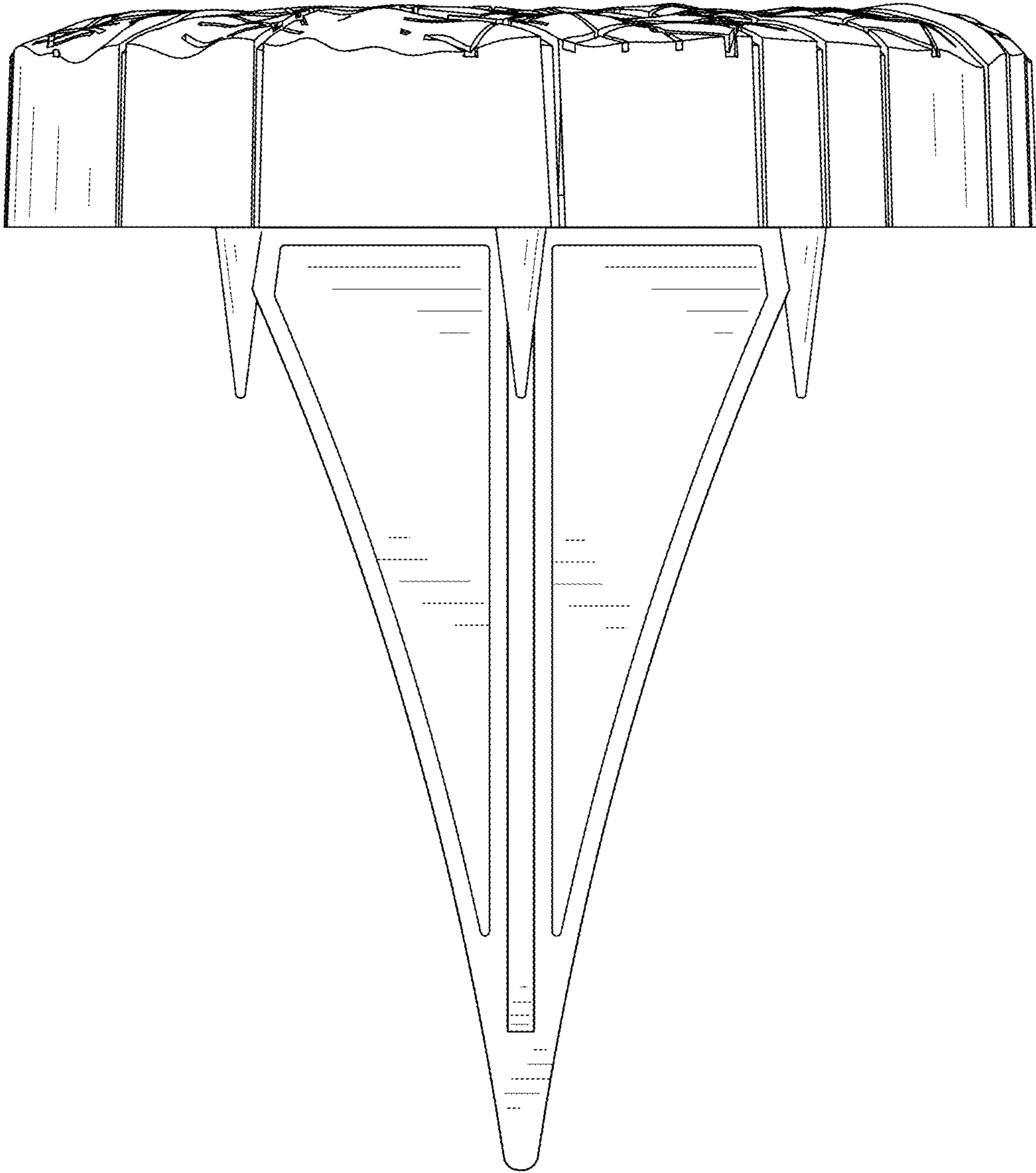


FIG. 6

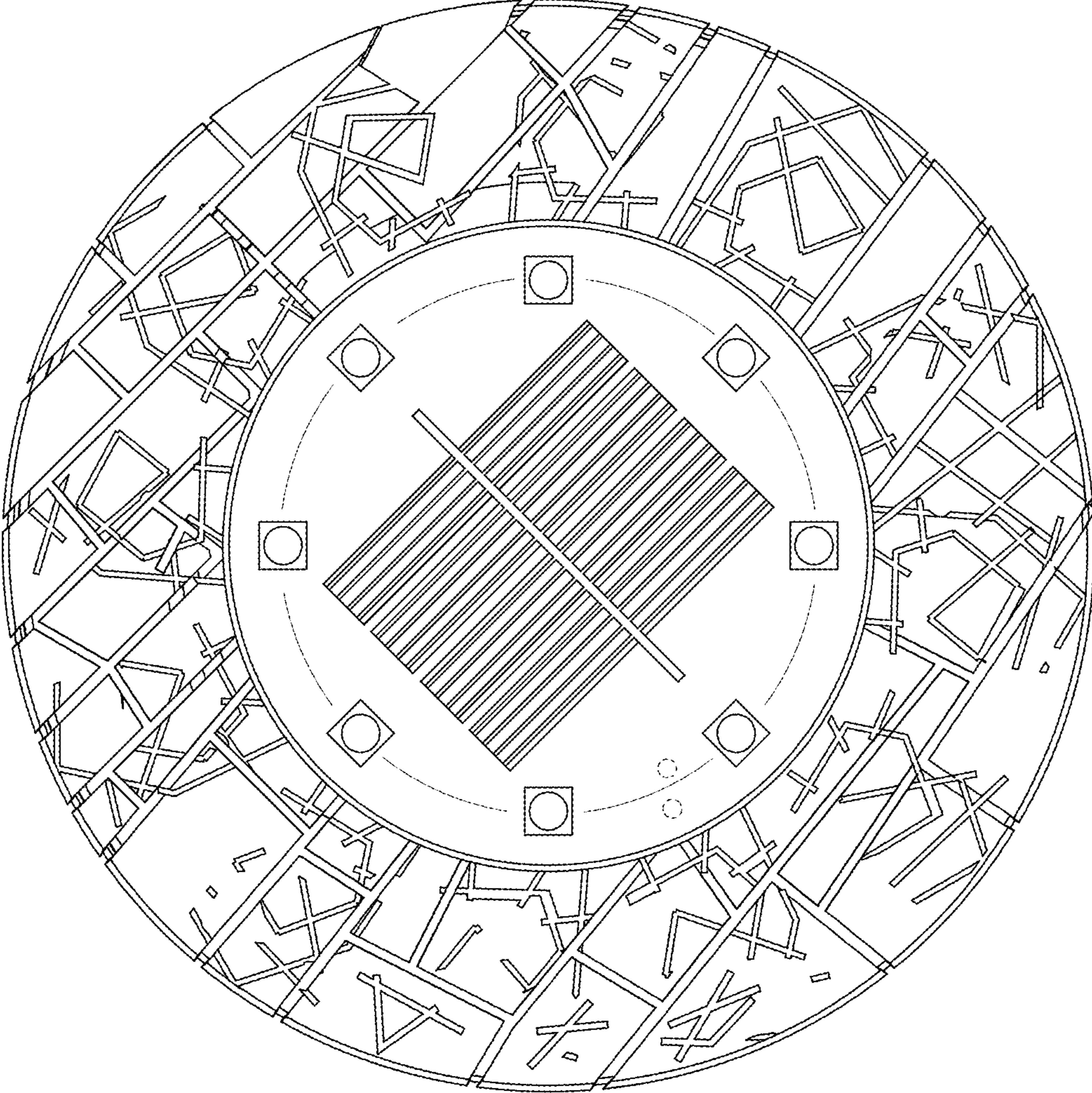


FIG. 7



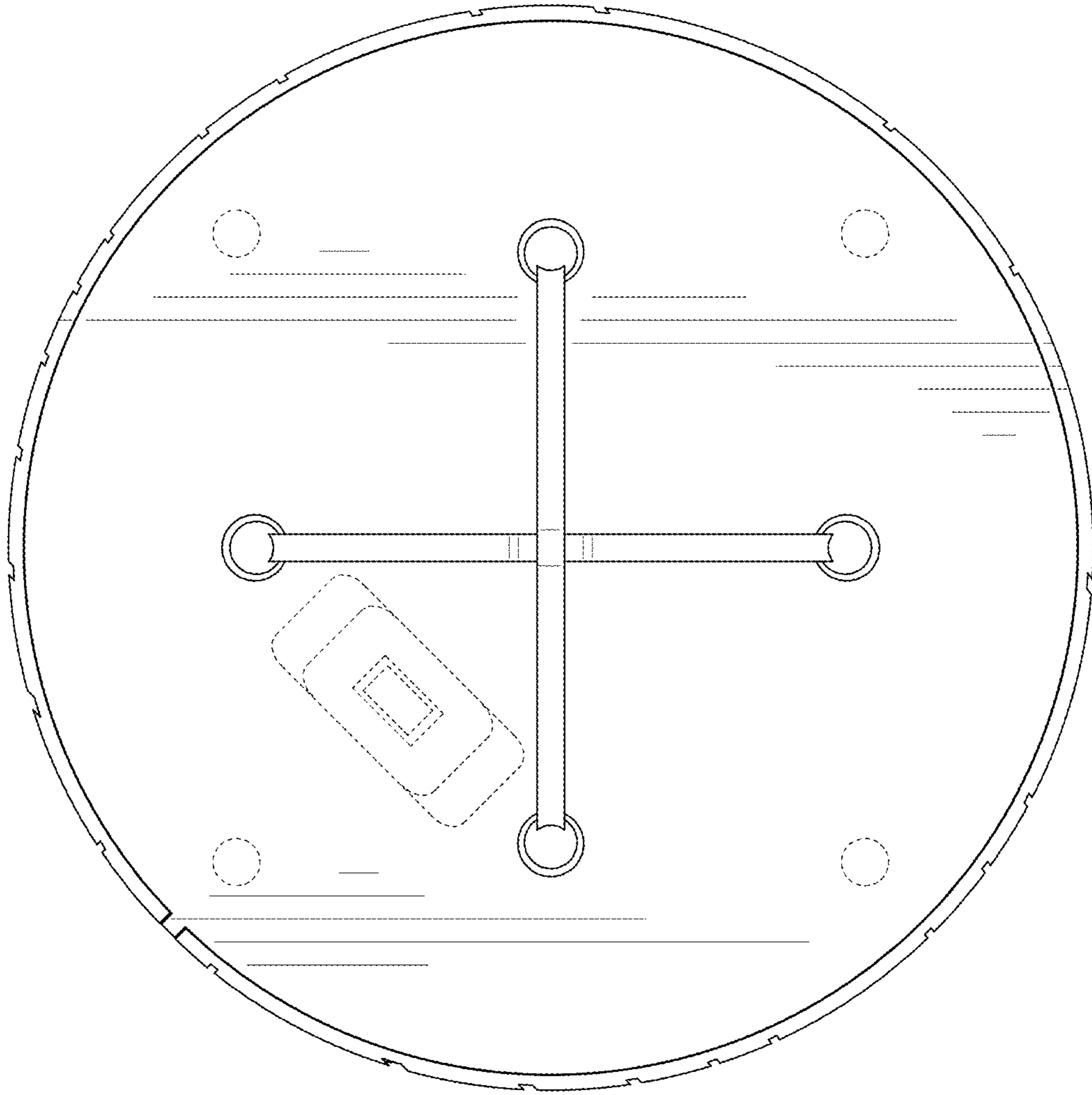


FIG. 8