



US00D881435S

(12) **United States Design Patent**
Mai

(10) **Patent No.:** **US D881,435 S**

(45) **Date of Patent:** **** Apr. 14, 2020**

(54) **LIGHTING FIXTURE**

(71) Applicant: **QuanHua Mai**, Zhongshan (CN)

(72) Inventor: **QuanHua Mai**, Zhongshan (CN)

(**) Term: **15 Years**

(21) Appl. No.: **29/676,633**

(22) Filed: **Jan. 13, 2019**

(51) **LOC (12) Cl.** **26-05**

(52) **U.S. Cl.**
USPC **D26/67**

(58) **Field of Classification Search**
USPC D26/67-71

CPC F21S 8/08; F21S 8/081; F21S 8/083; F21S 8/088; F21S 9/03; F21S 9/037; F21V 21/0824; F21W 2111/02; F21W 2131/109

See application file for complete search history.

(56) **References Cited**

U.S. PATENT DOCUMENTS

D194,991 S *	4/1963	Hisky	D26/71
3,721,516 A *	3/1973	Reese	F21L 17/00
				431/202
D347,485 S *	5/1994	Kira	D26/63
D348,944 S *	7/1994	Shalvi	D26/67
D482,481 S *	11/2003	Landefeld	D26/61
D555,278 S *	11/2007	Sanoner	D26/68
D616,130 S *	5/2010	Tortel	D26/67

D732,222 S *	6/2015	Recker	D26/68
D743,607 S *	11/2015	Verelst	D26/68
D755,431 S *	5/2016	Chen	D26/67
D823,517 S *	7/2018	Ladewig	D26/71
D829,357 S *	9/2018	Chen	D26/68
D857,961 S *	8/2019	Mai	D26/61
D862,763 S *	10/2019	Zhao	D26/71
2018/0278085 A1 *	9/2018	Katsaros	F21S 9/037
2019/0128486 A1 *	5/2019	Hollinger	F21L 4/04
2019/0323686 A1 *	10/2019	Hanson	F21S 9/037

* cited by examiner

Primary Examiner — Clare E Heflin

(57) **CLAIM**

The ornamental design for a lighting fixture, as shown and described.

DESCRIPTION

FIG. 1 is a front perspective view of the lighting fixture showing my new design;

FIG. 2 is a left side elevational view thereof;

FIG. 3 is a right side elevational view thereof;

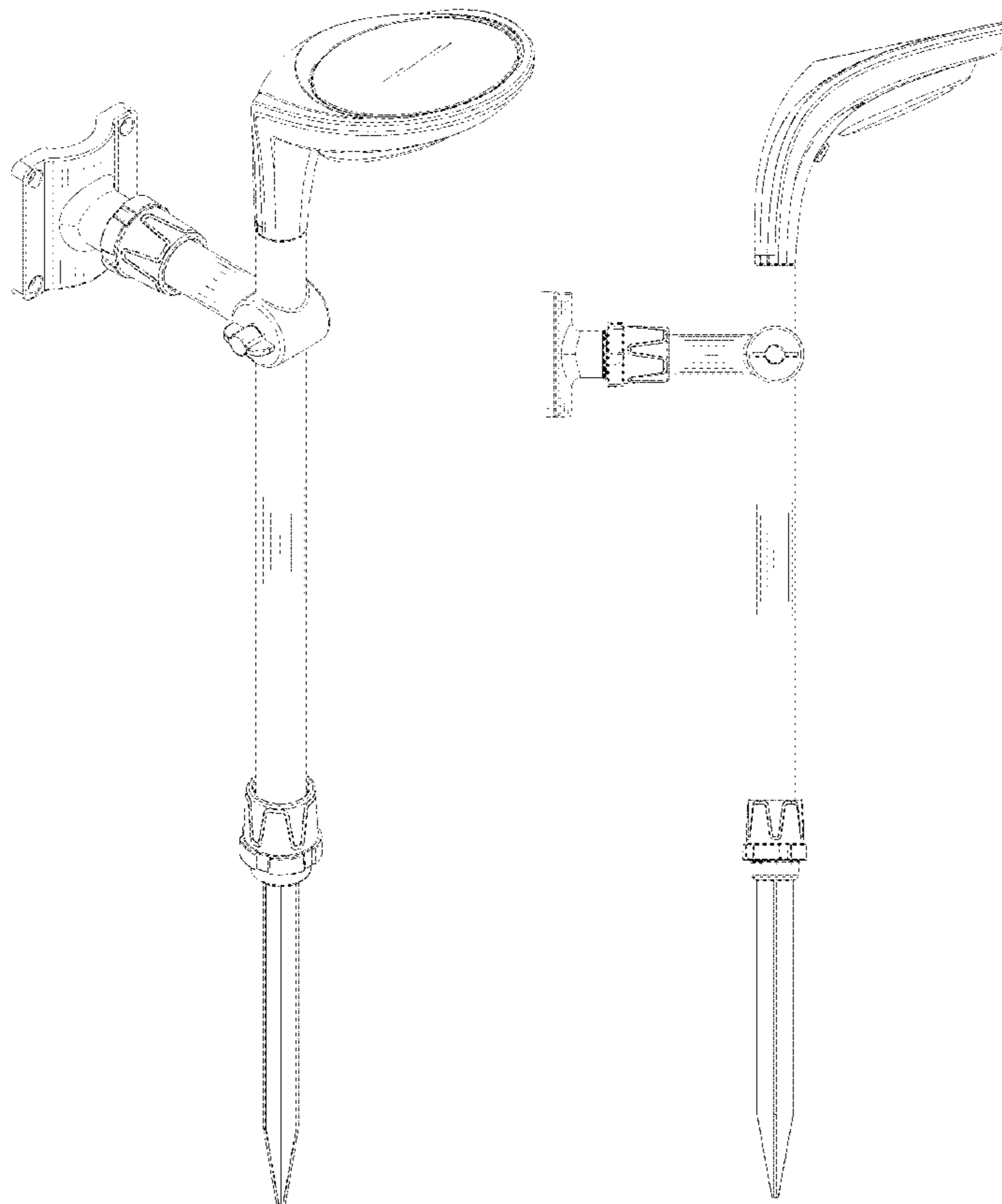
FIG. 4 is a rear elevational view thereof;

FIG. 5 is a front elevational view thereof;

FIG. 6 is a top plan view thereof; and,

FIG. 7 is a bottom plan view thereof.

1 Claim, 6 Drawing Sheets



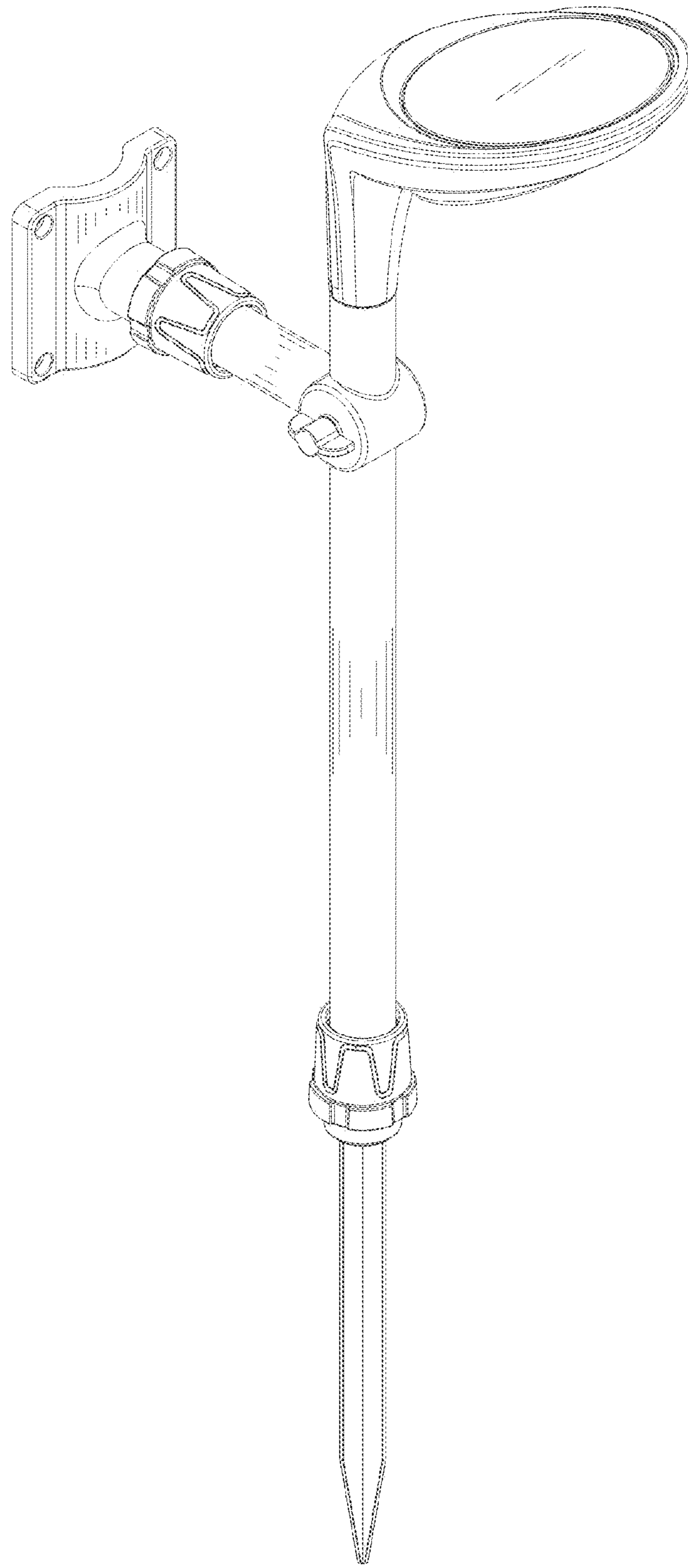


FIG. 1

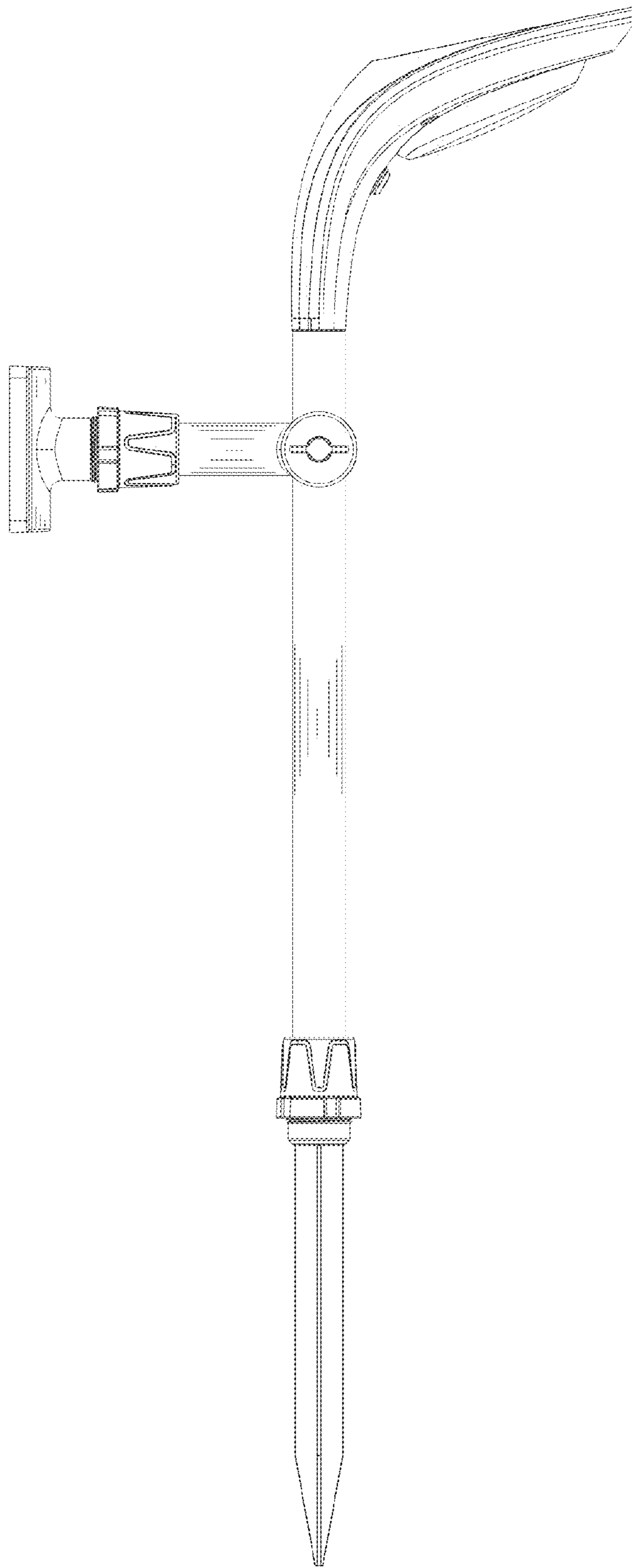


FIG. 2

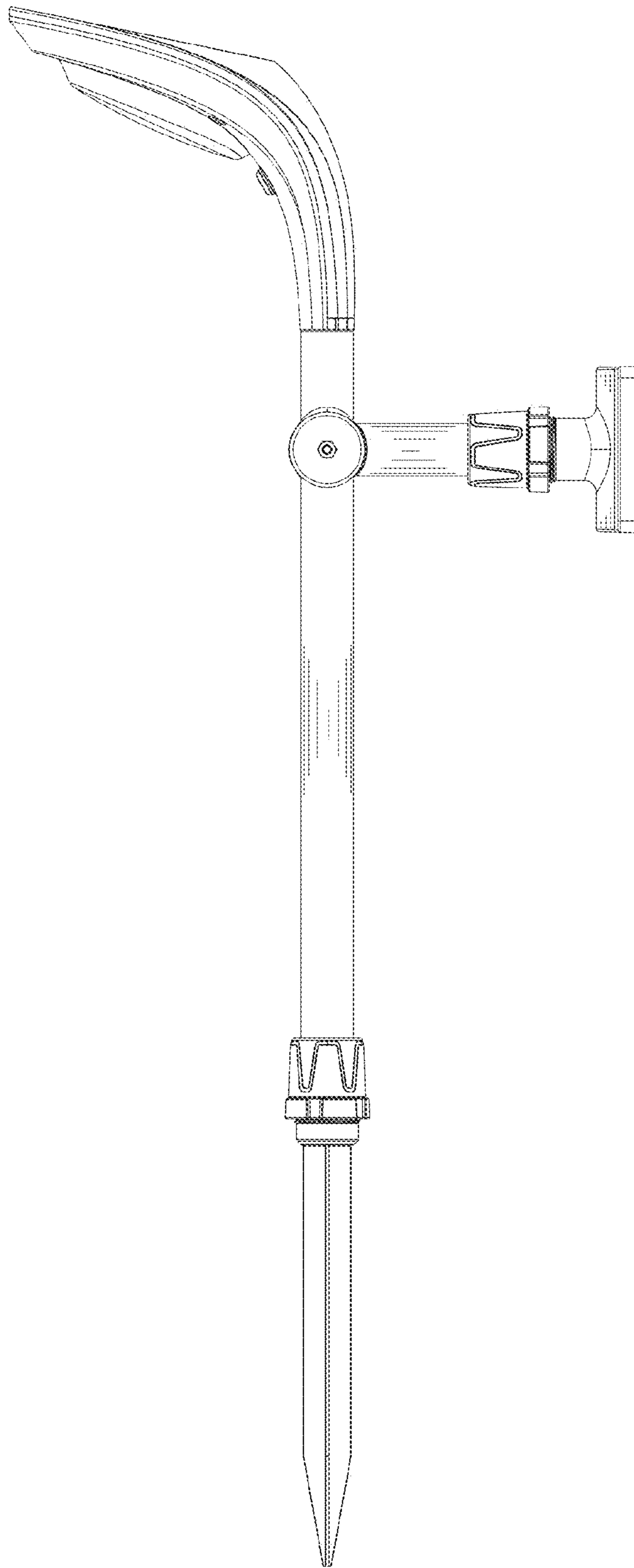


FIG. 3

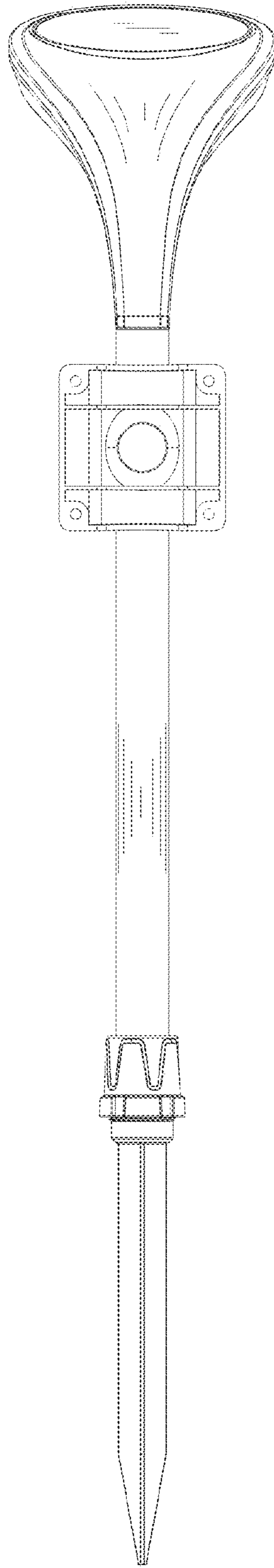


FIG. 4

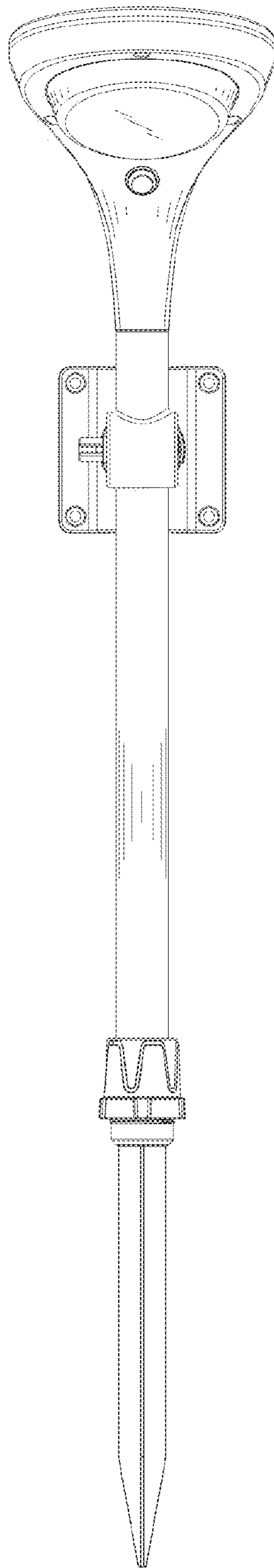


FIG. 5

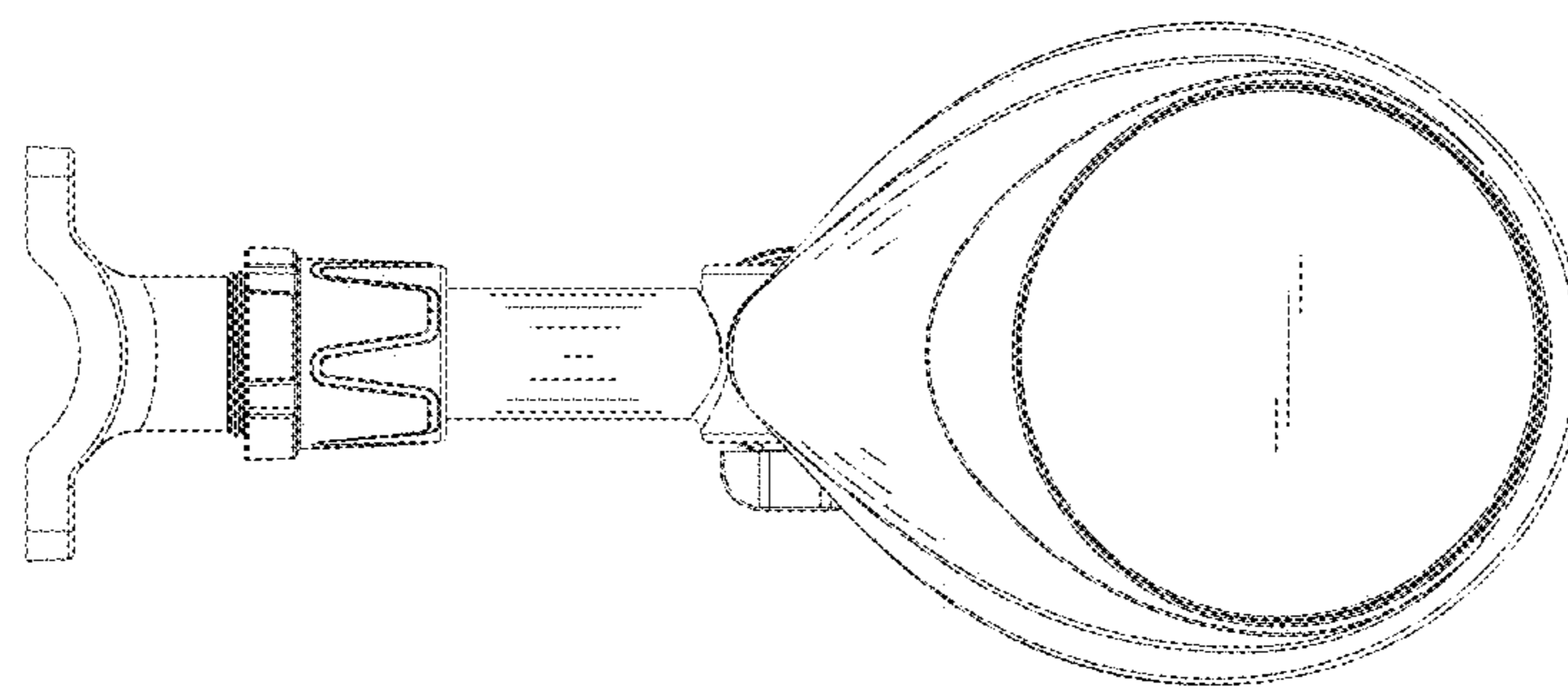


FIG. 6

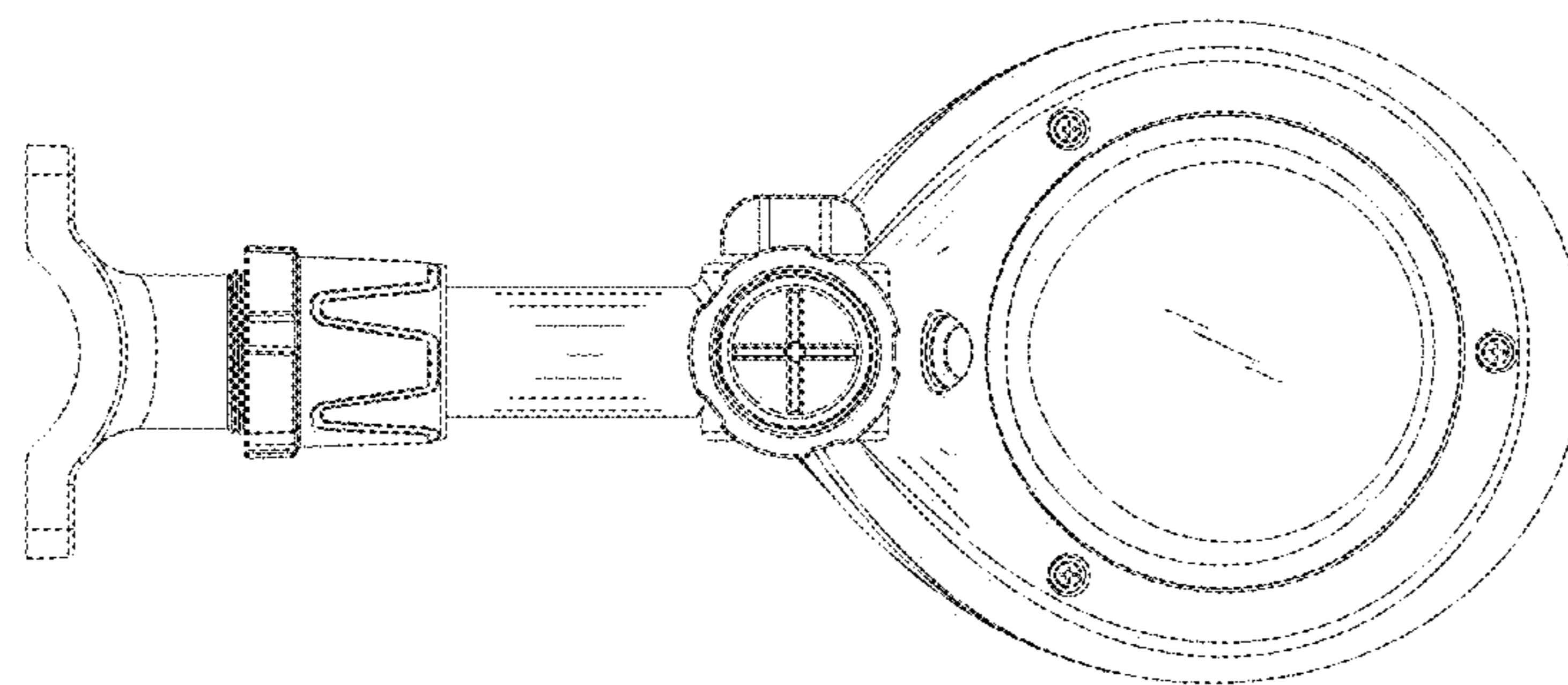


FIG. 7